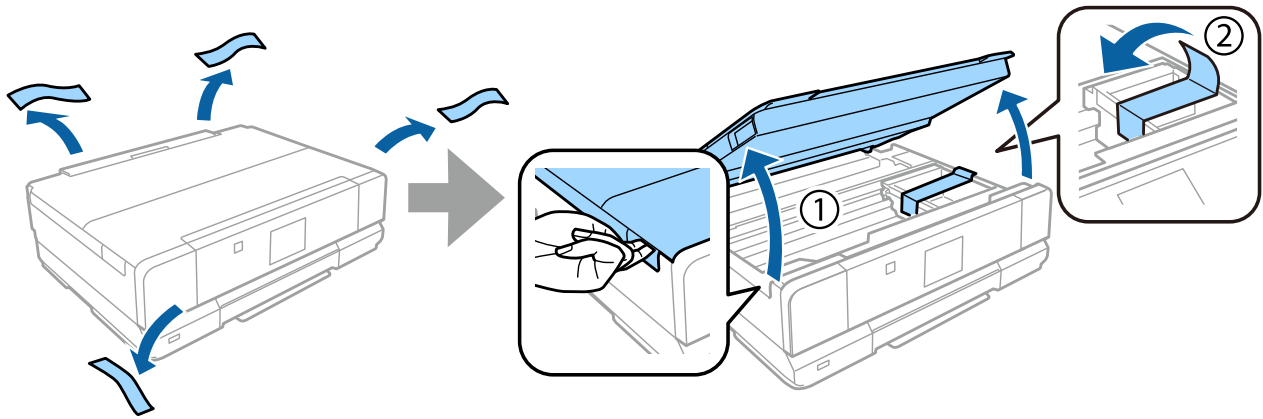

Hardware Setup Guide

Unpacking

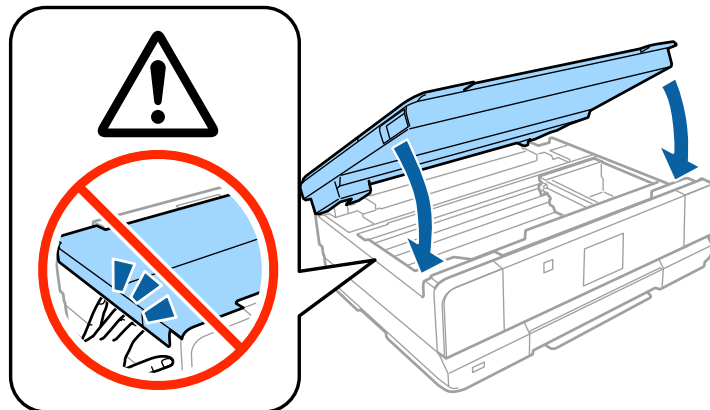
Step 1


Remove all protective materials.



Step 2

Close the scanner unit slowly.

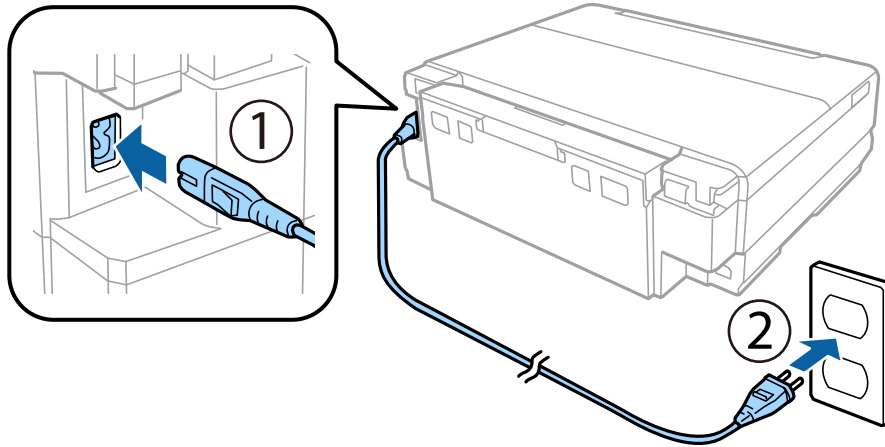


 Caution; must be followed carefully to avoid bodily injury.

Turning on the Printer

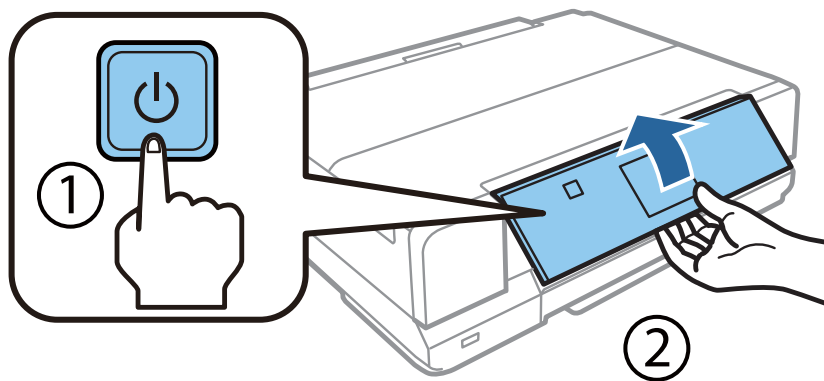
Step 1

Connect the power cable and plug it in.



Step 2

Turn on the printer and raise the control panel.



If an error occurs check that no protective material has been left inside the printer.

Selecting a Language

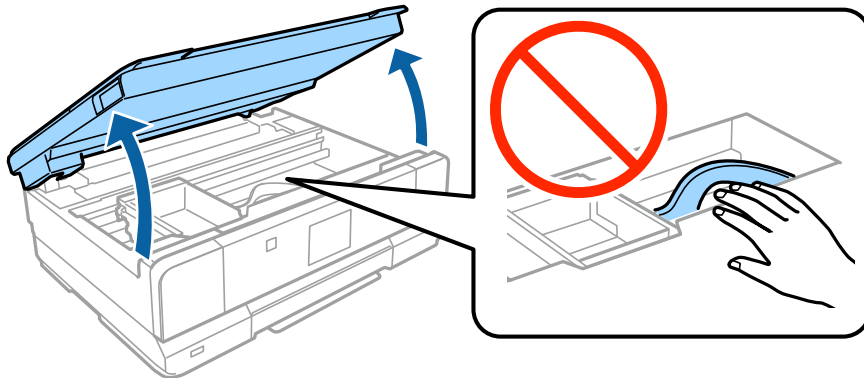
Go to the printer, and then follow the instruction to select your language.



Installing Ink Cartridges

Step 1

When instructed to install the cartridges, open the scanner unit.

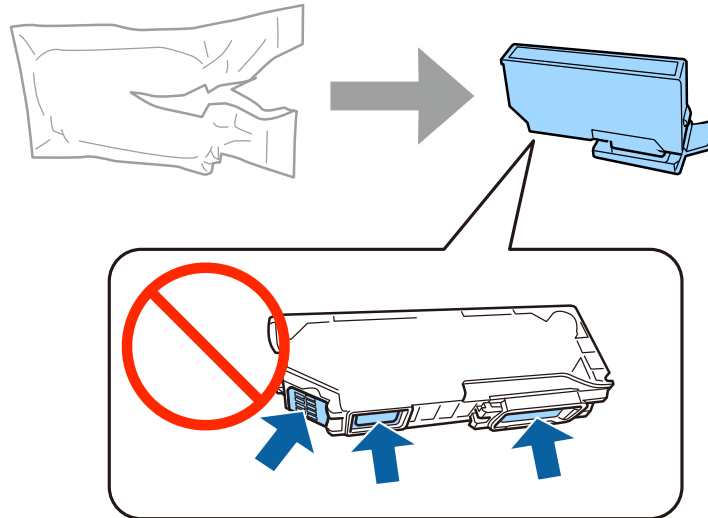


Do not touch the white flat cable inside the printer.

Hardware Setup Guide

Step 2

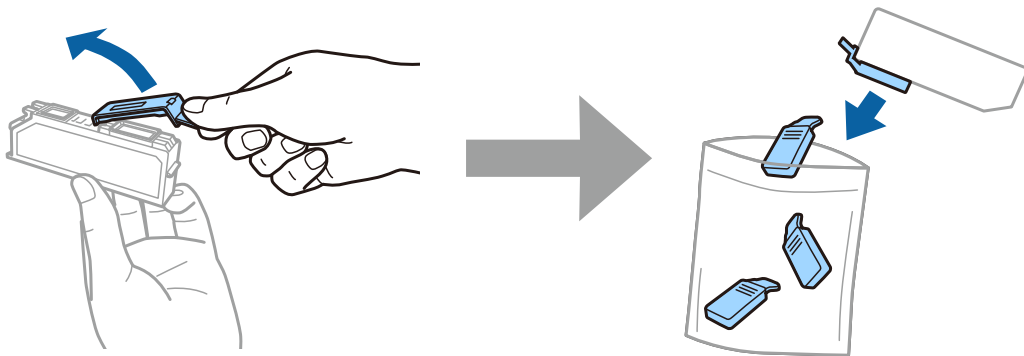
Remove all ink cartridges from their packing.



- For the initial setup, make sure you use the ink cartridges that came with this printer. These cartridges cannot be saved for later use.
- Do not touch the green chip or the small windows on the side of the cartridge.

Step 3

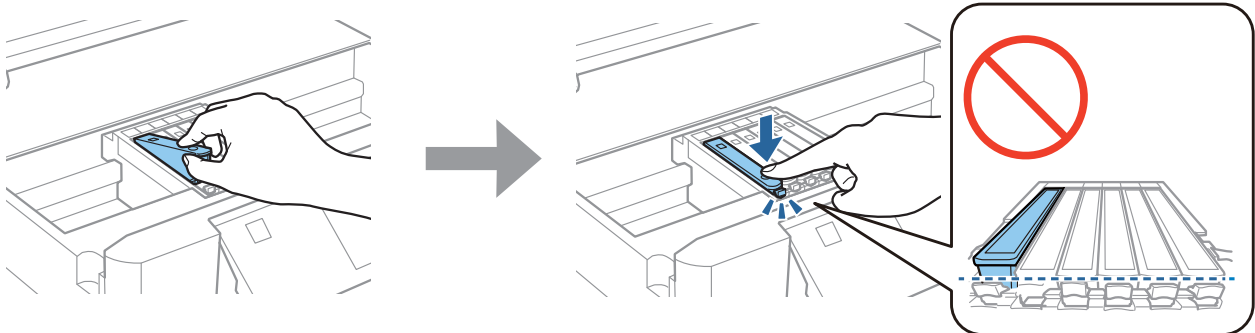
Remove the caps and store them in the plastic bag.



Hardware Setup Guide

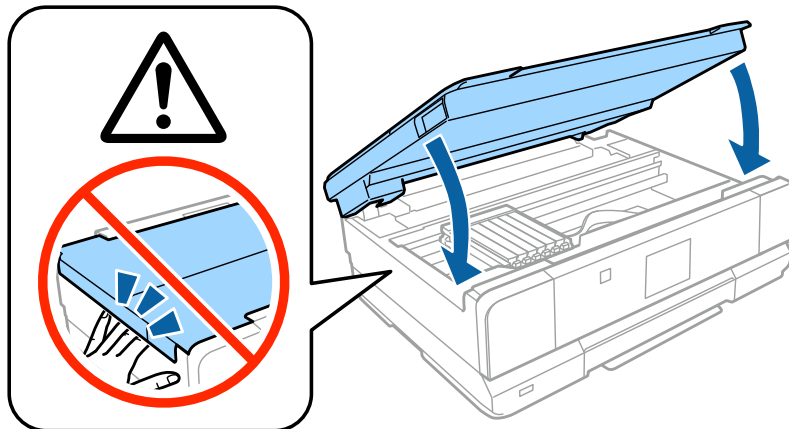
Step 4

Insert each ink cartridge diagonally into the cartridge holder and gently push it down until it clicks into place.



Step 5

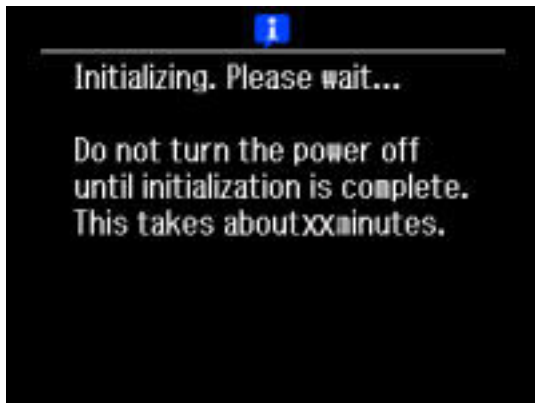
Close the scanner unit slowly.



Hardware Setup Guide

Step 6

The following information is displayed on the printer's screen while the printer is charging the ink. Wait until the charging is finished.



The initial ink cartridges will be partly used to charge the print head. These cartridges may print fewer pages compared to subsequent ink cartridges.

Information

Do you know that you can influence the impact you have on the environment when printing?

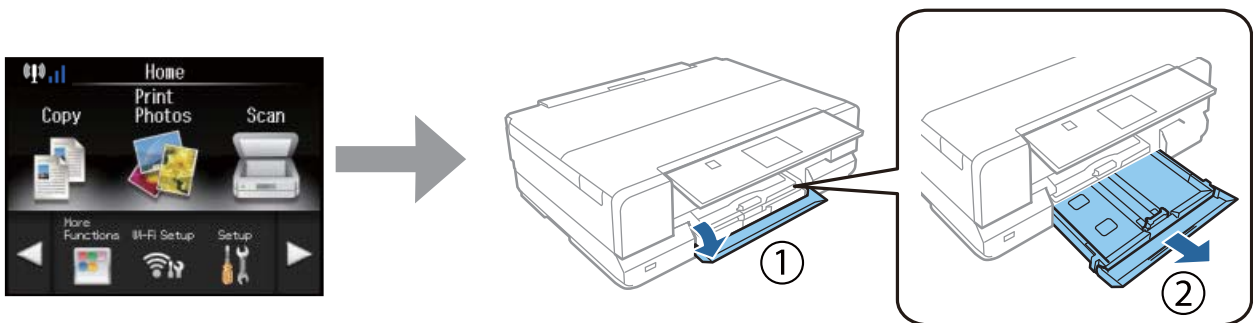
1. The type of paper you use has an influence on the environmental impact of your printer. Choosing paper certified under environmental stewardship initiatives, such as EN 12281:2002, or carrying recognised ecolabels, can help reduce your impact on the environment through the initiatives the manufacturers implement. For specific applications, lighter paper, such as 64 g/m² paper, can be used.
2. You can reduce your power consumption by purchasing Energy Star compliant products.
3. You can reduce your paper consumption and the impact on the environment by automatically printing on both sides of the page.
4. As standard, your printer has a power management function that powers down your product when not in use, which is a great energy saving feature.

Hardware Setup Guide

Loading Paper

Step 1

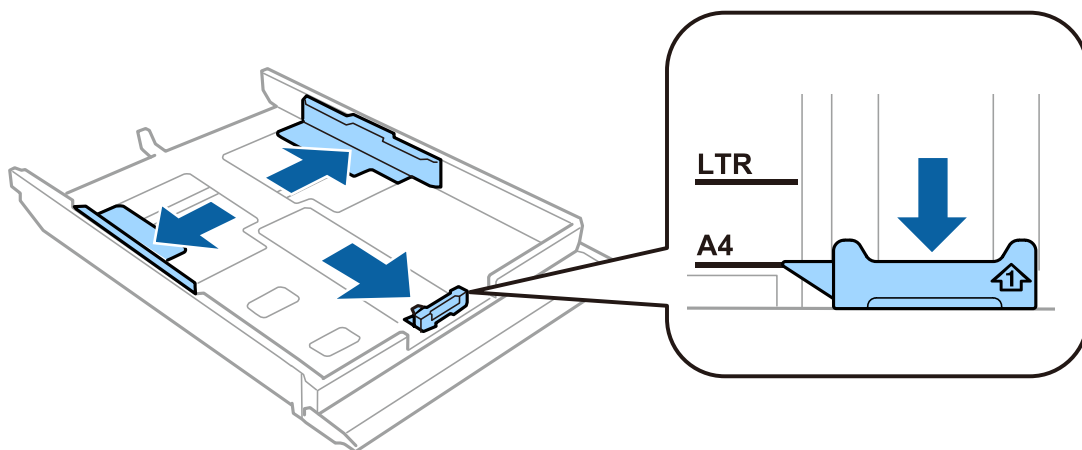
Make sure the printer's control panel is displaying the home screen as shown below, and then open the front cover and pull out the lower cassette (paper cassette 2).



The printer has a lower cassette and an upper cassette. Make sure you pull out the lower cassette.

Step 2

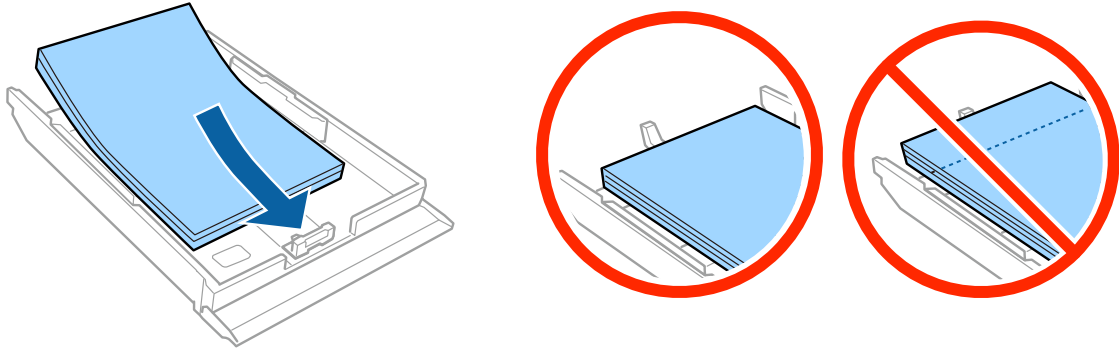
Slide the edge guides to adjust to the paper size.



Hardware Setup Guide

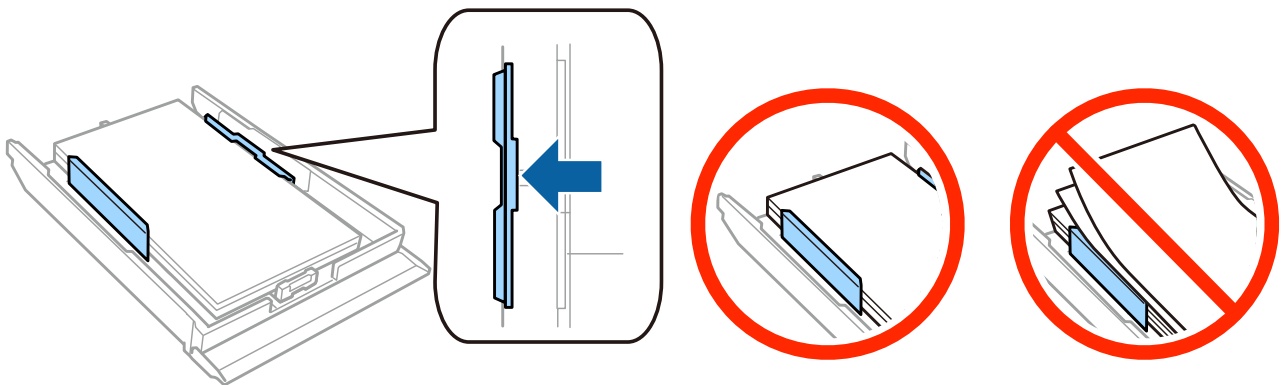
Step 3

Load A4 paper toward the edge guide with the printable side face-down, and check that the paper is not sticking out from the end of the cassette.



Step 4

Slide the edge guides to the edges of the paper.



Step 5

Keep the cassette flat and insert it back into the printer carefully and slowly.

