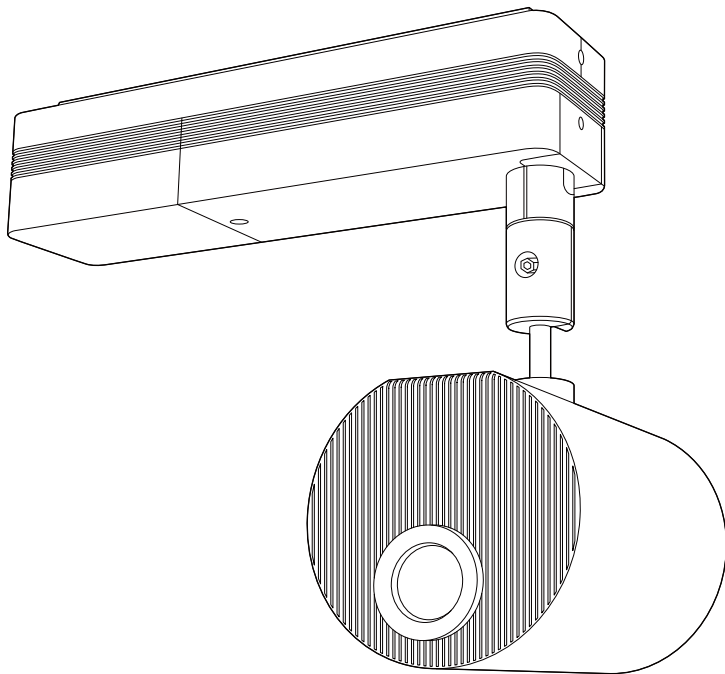


# EV-115 EV-110

## Installation Guide



# Safety Instructions

This guide explains how to suspend the EV-115/EV-110 from a ceiling or install it on a wall using the supplied Direct Mount.



Make sure you read this guide carefully to use the installation mounts and the projector safely. Incorrect handling that ignores instructions in this guide could damage this product or could result in personal injury or property damage. Keep this installation guide at hand for future reference.

Regarding how to handle the projector, read the *User's Guide* and *Safety Instructions* supplied with your projector and follow the instructions in these documents.




## Safety Indications

The documentation and this product use graphical symbols to show how to use this product safely and correctly to prevent injury to customers and others, and damage to property.




The indications and their meaning are as follows. Make sure you understand them properly before reading the guide.















Symbol	Explanation
 Warning	This symbol indicates information that, if ignored, could possibly result in personal injury or even death due to incorrect handling.
 Caution	This symbol indicates information that, if ignored, could possibly result in personal injury or physical damage due to incorrect handling.

## General Information Indications
















Symbols	Explanation
	Symbol indicating an action that must not be done
	Symbol indicating an action that should be done
	Symbol indicating related or useful information

## Precautions on Installing the Projector

 Warning	
Installing the projector on a ceiling or a wall should only be performed by a professional with the necessary skills and know-how. If installation work is not carried out correctly, the mount or the projector could fall causing injury or accident to occur.	
When installing, make sure you install bolts and screws specified in this guide and follow the steps described in this guide. If the instructions are not followed, the mount or the projector could fall causing injury or accident to occur.	

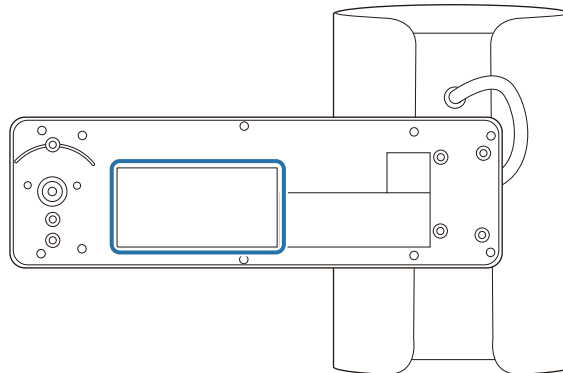
 Warning	
Installation should be performed by at least two people. Also, make sure you have a secure, stable footing so that you do not drop the mount or the projector.	
Make sure you attach the safety wire supplied with the projector to prevent the mount from falling due to earthquakes or vibrations.	
Do not attach anything to this mount except for a projector from EPSON. Otherwise, the mount may falls and could cause death or personal injury.	
Note the following when handling the power cable. Otherwise, it could cause a fire or electric shock. <ul style="list-style-type: none"><li>• Do not handle the plug with wet hands</li><li>• Do not use a damaged or modified power cable</li><li>• Do not apply excessive force to the power cable</li><li>• Do not trap the cable between parts of the mount and so on during installation</li></ul>	
When installing, do not pull or apply excessive force to the cable connected to the projector.	
Do not wind cables around the projector or the mount.	
When wiring cables and so on, route the cables so that it avoids the screws and bolts. If the cables come into contact with screws or bolts, it could cause a fire or electric shock to occur.	
Make sure you tighten the screws or bolts completely when installing. If they are not tightened completely, the mount or the projector could fall causing injury or accident to occur.	
Never loosen the screws or bolts after installation. Make sure that you check for any loose screws or bolts on a regular basis, and if any are loose, tighten them completely. If they are not tightened completely, the mount or the projector could fall causing injury or accident to occur.	
When securing the mount, do not use adhesives to prevent the screws from loosening, and do not use lubricants, oils, and so on. If you use adhesives to prevent the screws from loosening, or if you use things such as lubricants or oils, the mount or the projector case may crack causing an injury or an accident.	
Do not hang from the mount or the projector, and do not place heavy objects on them. Otherwise, the mount or the projector may fall and could cause death or injury.	
Do not apply excessive force to the projector or the mount when installing. Otherwise, the mount or the projector may be damaged and could cause death or injury.	
Do not install in the following situations. Contact your local dealer or Epson Service Call Center. <ul style="list-style-type: none"><li>• If the product has been dropped or damaged before or during installation</li><li>• If the mount is abnormal or damaged</li></ul>	

Warnings and Cautions on the Installation Locations

 Warning	
<p>Do not attach this mount to the floor. This mount can only be installed on a ceiling or a wall.</p>	
<p>Check the structure and material of the surface to which the mount will be installed, and use the optimum installation method.</p>	
<p>Make sure the surface to which the mount will be installed is strong enough. The total weight of the projector and Direct Mount is approximately 6.9 kg (approx. 5.0 kg for the projector/approx. 1.9 kg for the Direct Mount) (not including cables).</p>	
<p>Do not install the mount or projector in an unstable location where it might be subjected to vibrations or shocks. The surface to which the mount is attached may be damaged. Also, the mount or projector may fall and cause an injury or accident to occur.</p>	
<p>Do not install or use the projector in locations where it could be exposed to rain or water, such as outdoors, in baths or shower rooms. Otherwise, it could cause a fire or electric shock.</p>	
<p>Do not install in areas exposed to oily smoke or smoke from events. Otherwise, it could cause a fire or electric shock.</p>	
<p>Do not use the projector in a location subject to combustible or explosive gas. If the inside of the projector gets too hot, it could ignite and cause a fire.</p>	
<p>Do not cover the projector's air intake vent or air exhaust vent. If either of the vents are covered, the projector's internal temperature could rise and cause a fire.</p>	
 Caution	
<p>Do not install the projector in a location outside the projector's operating temperature range. Such an environment may damage the projector.</p>	
<p>Install it away from air outlets such as air conditioners. If the air from an air conditioner and so on flows directly over the projector, the temperature rises and the projector may not operate correctly.</p>	
<p>Install it away from fluorescent lights. Some kinds of fluorescent lights could interfere with the remote control of the projector.</p>	
<p>Install it in a location where strong light such as fluorescent light and direct sunlight does not shine on the remote receiver. If strong rays of light shine on the remote receiver, remote control operations may not be performed correctly.</p>	
<p>Make sure you install the projector in a location free from excessive dust and humidity to prevent the lens or internal components from becoming dirty.</p>	

## Display Position of Manufacturers Nameplate

The product nameplate is displayed on the top of the projector as shown below. Before installing the mount to the projector, check the numbers on the product nameplate.

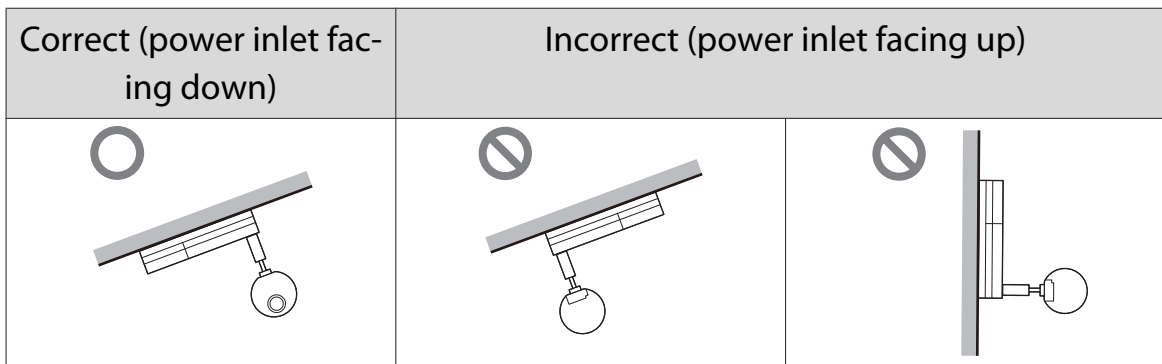


Rated Voltage	100-240 V
Rating Frequency	50/60 Hz
Rating Current	1.6-0.8 A

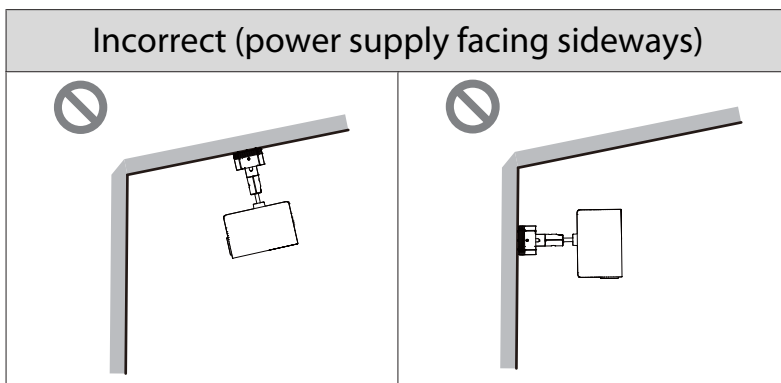
## Installation Orientation

Check the following points when installing on a wall or a ceiling that is inclined.

- Do not face the power inlet upward



- Do not turn the power supply sideways



## **Using the Product Safely**

---

<b>Safety Instructions</b> .....	<b>1</b>
Safety Indications .....	1
General Information Indications .....	1
Precautions on Installing the Projector .....	1
Warnings and Cautions on the Installation Locations .....	3
Display Position of Manufacturers Nameplate . . .	4
Installation Orientation .....	4

## **Preparing the Projector**

---

<b>Package Contents</b> .....	<b>6</b>
<b>Connectable Devices and Necessary Cables</b> .....	<b>7</b>
<b>Projection Distance Table</b> .....	<b>8</b>
16:10 projected image .....	9
4:3 projected image .....	10
16:9 projected image .....	11

## **Installation Procedure**

---

<b>Preparing the Projector</b> .....	<b>12</b>
<b>Attaching the Projector Mount to the Projector</b> .....	<b>14</b>
<b>Attaching the Ceiling Mount to a Ceiling or a Wall</b> .....	<b>16</b>
<b>Installing the Safety Wire</b> .....	<b>17</b>
<b>Combining the Projector Mount with the Ceiling Mount</b> .....	<b>19</b>
<b>Connecting Cables</b> .....	<b>20</b>
<b>Adjusting the Orientation of the Projector</b> .....	<b>21</b>
<b>Attaching the Covers</b> .....	<b>22</b>
Attaching the Power Adapter Cover .....	22
Attaching the Mount Cover .....	22

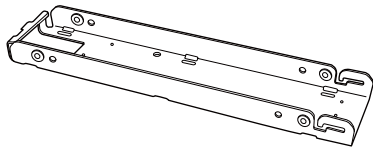
## **Appendix**

---

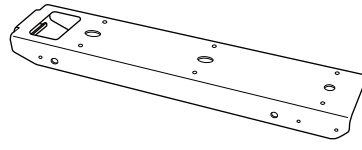
<b>Specification</b> .....	<b>23</b>
Appearance .....	23
Assembly Dimensions .....	24

# Package Contents

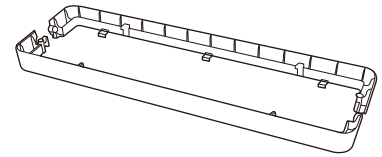
Check that you have all of the following accessories before you start work.



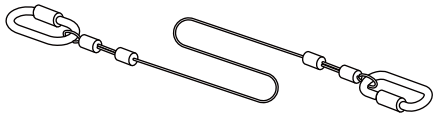
Projector mount (\*1)



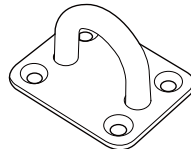
Ceiling mount (\*1)



Mount cover (\*2)



Safety wire  
(500 mm)



Wire hook mount

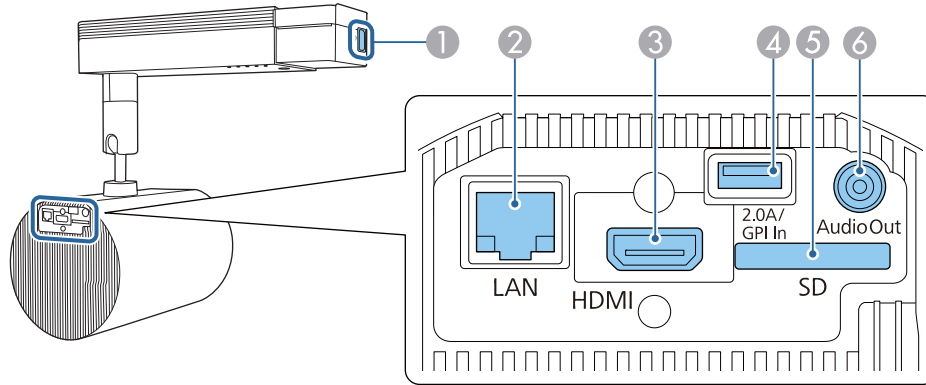
Shape	Name	Quantity	Application
	M4 x 12 mm cross recessed head screw (with washer)	4	Secures the projector mount to the projector.
		(4)	Combines and secures a projector mount and a ceiling mount.  *1 The projector mount and the ceiling mount are combined and secured by these screws temporarily at the time of purchase. Unscrew them before installing.
	M3 x 6 mm cross recessed head screw	(2)	Secures the mount cover.  *2 The mount cover is secured by these screws temporarily at the time of purchase. Unscrew them before installing.

- Make sure you use the bolts or screws supplied with this product to install mounts.
- Gather the tools and parts you need before you begin installation.

## Connectable Devices and Necessary Cables

Be sure to prepare the power cable supplied.

Additionally, prepare the necessary cables according to the devices being used.



- 1 Connects the power cable to the projector.
- 2 Connects the projector to a network hub and so on using a LAN cable.
- 3 Connects the projector to a computer or video sources with an HDMI cable. Secure it with the cable clamp supplied to prevent the HDMI cable from disconnecting under its own weight.
- 4 Connects external devices such as sensors. This port also supplies power to connected devices. USB data transfer is not available.
- 5 Insert an SD card into this slot.
- 6 Connects to a speaker with an audio cable.

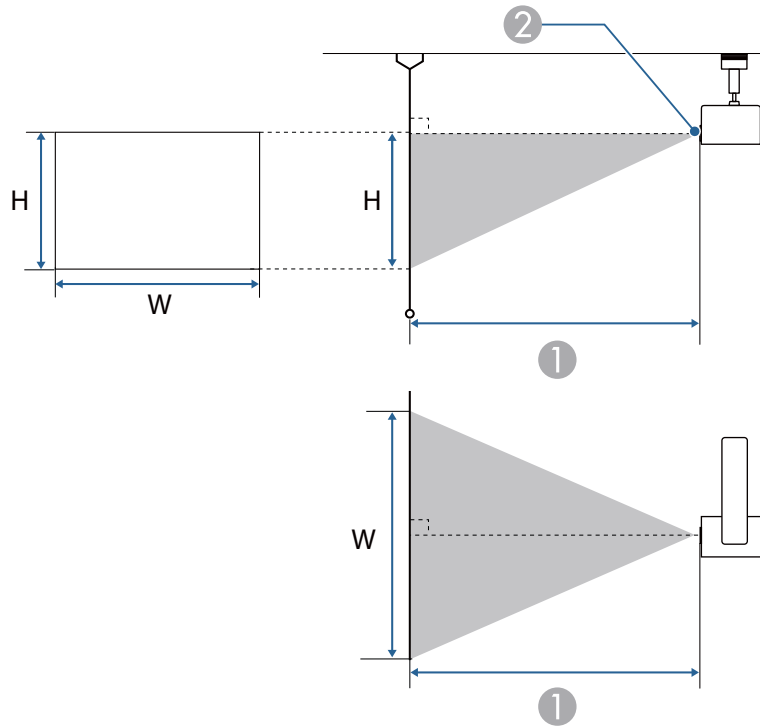


# Projection Distance Table

To find the appropriate projection distance, see the following figures when installing.



- The values are only rough estimates. The value may differ depending on the location where you place the projector.
- When projecting in Tele, the quality of the projected images may decrease.



- ① : Projection Distance
- ② : Center of lens

16:10 projected image

[Unit: mm]

Projected image size		Projection Distance Minimum (Wide) to Maximum (Tele)
29"	625x390	850 - 1362
30"	646x404	880 - 1410
40"	862x538	1183 - 1889
50"	1077x673	1486 - 2368
60"	1292x808	1788 - 2847
80"	1723x1077	2394 - 3805
100"	2154x1346	2999 - 4763
120"	2585x1615	3604 - 5722
130"	2800x1750	3907 - 6201
150"	3231x2019	4512 - 7159

## 4:3 projected image

[Unit: mm]

Projected image size		Projection Distance Minimum (Wide) to Maximum (Tele)
26"	528x396	863 - 1382
30"	610x457	1000 - 1599
40"	813x610	1343 - 2142
50"	1016x762	1685 - 2684
60"	1219x914	2028 - 3227
80"	1626x1219	2713 - 4311
100"	2032x1524	3399 - 5396
120"	2438x1829	4084 - 6481
130"	2642x1981	4426 - 7023

## 16:9 projected image

[Unit: mm]

Projected image size		Projection Distance Minimum (Wide) to Maximum (Tele)
29"	642x361	874 - 1400
30"	664x374	906 - 1450
40"	886x498	1217 - 1942
50"	1107x623	1528 - 2434
60"	1328x747	1839 - 2927
80"	1771x996	2461 - 3912
100"	2214x1245	3083 - 4897
120"	2657x1494	3705 - 5881
145"	3210x1806	4483 - 7112



When projecting at an aspect ratio of 16:9, the top edge of the projected image shifts from the center of the lens.

## Preparing the Projector

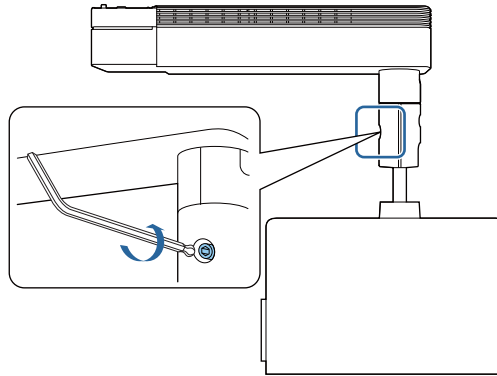
Adjust the orientation of the projector to make installing easier.

---

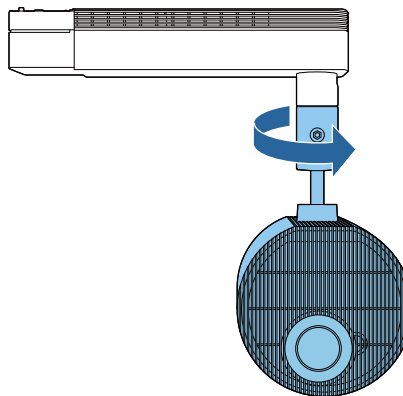
**1** Place the projector on a flat surface on a soft cloth.

---

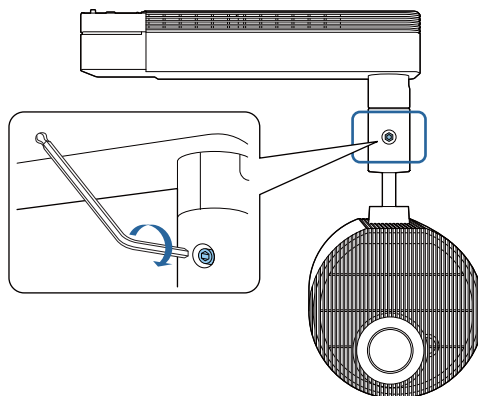
**2** Loosen the screw for the ball joint with the hexagonal wrench supplied.




**3** Change the projector's orientation.  
You can change the orientation of the projector as shown below.



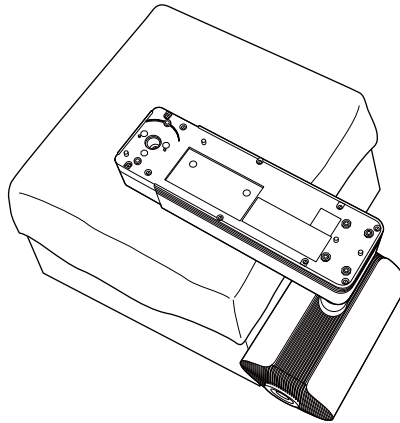
- 4** Tighten the screw for the ball joint with a hexagonal wrench to secure it in place.  
Make sure you tighten the screw completely so that the ball joint does not move during installation.



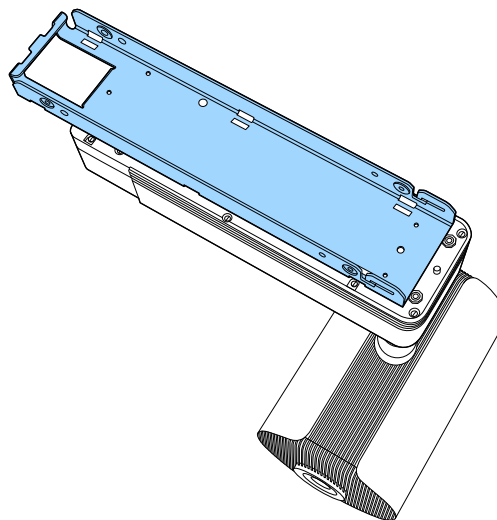
 When re-tightening with the hexagonal wrench supplied, do not use the ball point side of the hexagonal wrench.

## Attaching the Projector Mount to the Projector

- 1** Place the projector on your workbench.  
Place the projector on a soft cloth on a workbench (330 mm high).




- 2** Place the projector mount on the projector.  
Align the screw holes on the projector's Direct Mount fixing points with the screw holes on the projector's mount.

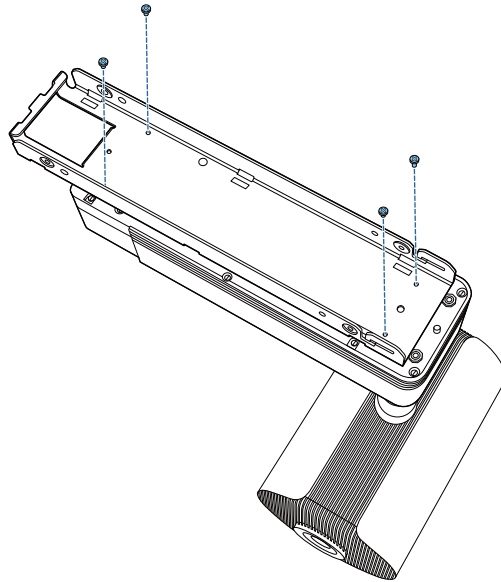


3

Secure the projector mount to the top of the projector using the M4 x 12 mm screws supplied (x4).

 **Caution**

Make sure you use the screws supplied.





# Attaching the Ceiling Mount to a Ceiling or a Wall

Check the position where you want to project the image, and determine the mounting position for the ceiling mount.

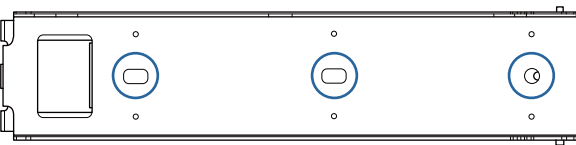
☛ "Projection Distance Table" p.8

Make sure you take into consideration the structure (strength and so on) of the ceiling or wall on which you will install the ceiling mount.

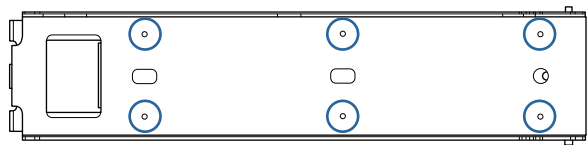
Make sure you acquire commercially available items to be used for installation.

Mounting hole positions and dimensions

①



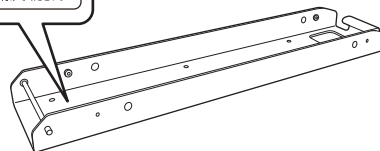
②



- ① Anchor bolt mounting hole (M10)
- ② Wood screw mounting hole (nominal diameter 4.1)



A label that shows the correct installation direction is attached to the ceiling mount. Make sure the mount is facing in the correct direction before you secure it in place.

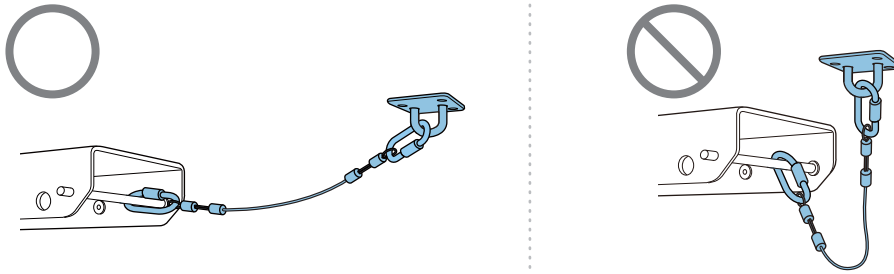


## Installing the Safety Wire

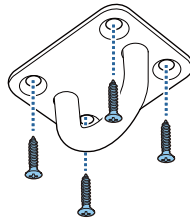
Install the safety wire supplied to prevent the projector from falling.

### Caution

Attach the wire so that there is as little slack as possible.

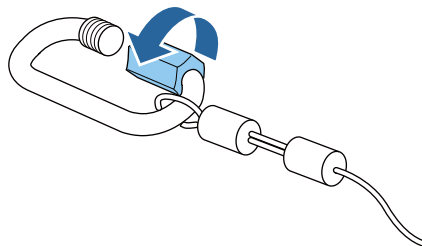


**1** Attach the wire hook mount supplied to the ceiling or the wall.

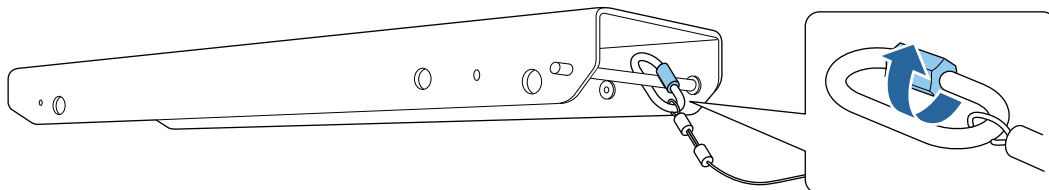


- When installing the wire hook mount, use commercially available wood screws with a nominal diameter of 3.8 mm.
- Make sure that the wood screws enter at least 20 mm into the ceiling or underlying wall.

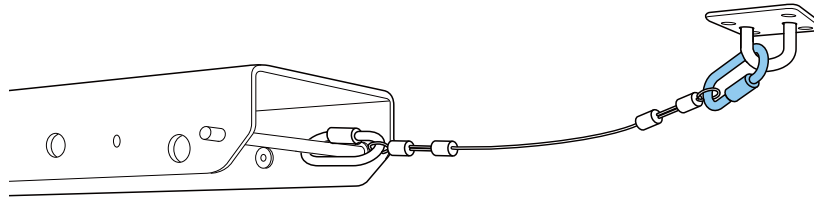
**2** Loosen the carabiner for the safety wire supplied.



**3** Insert the loosened carabiner through the shaft of the ceiling mount, and then tighten.

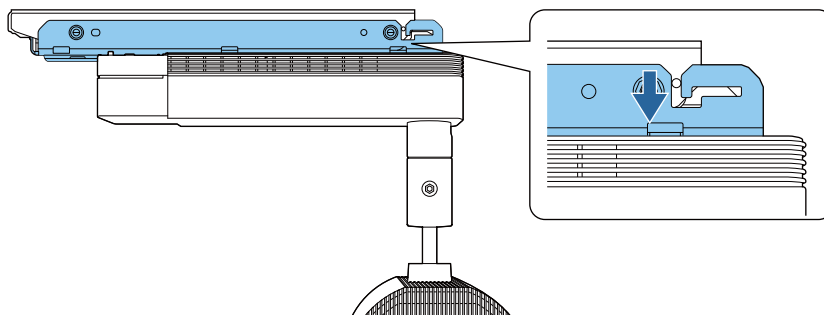


- 4 Attach the carabiner for the safety wire to the wire hook mount attached to the ceiling or the wall.

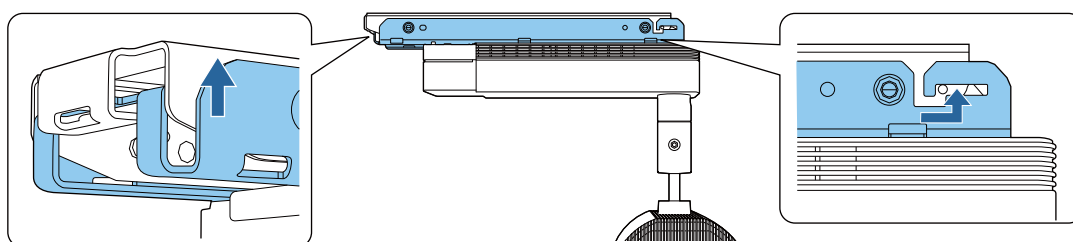


# Combining the Projector Mount with the Ceiling Mount

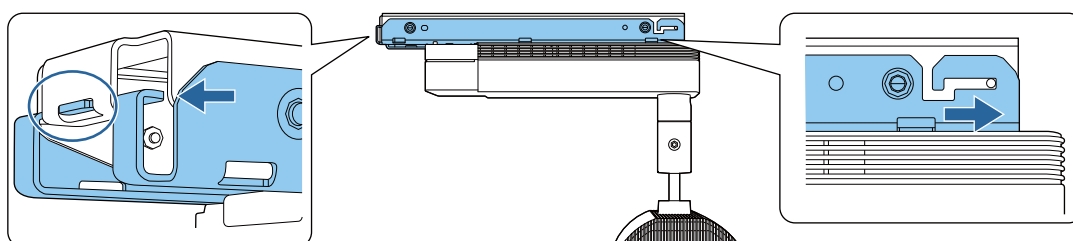
1 Fit the groove for the projector mount over the shaft for the ceiling mount.



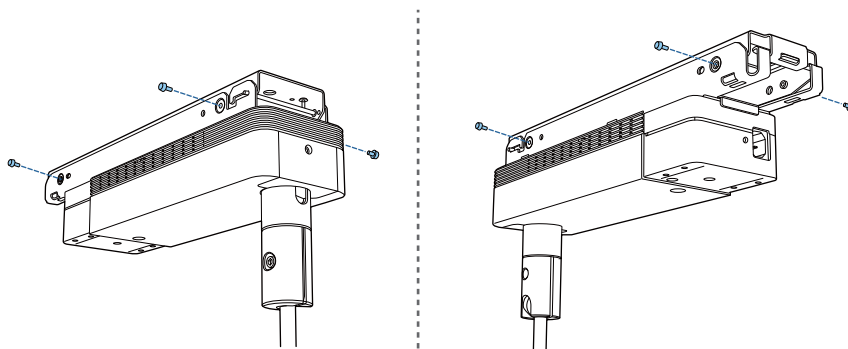
2 Slide the projector mount along the groove. Make sure that the opposite side of the projector mount fits into the hook section of the ceiling mount.



3 Insert the protruding section for the projector mount into the hole on the ceiling mount.

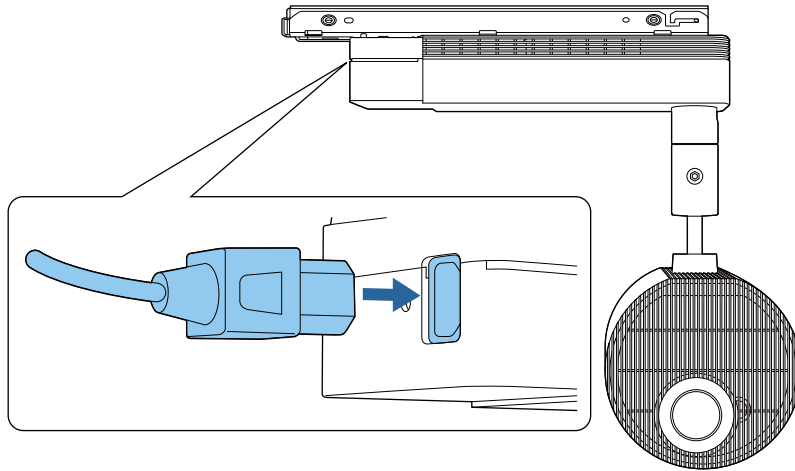


4 Secure the projector mount to the ceiling mount using the M4 x 12 mm screws supplied (x4).

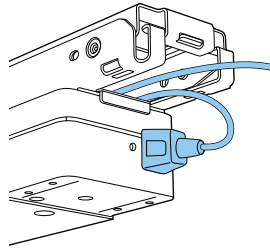


## Connecting Cables

1 Connect the power cable to the projector's power inlet.



- Secure it with the cable clamp supplied to prevent the power cable from disconnecting under its own weight.
- If there is enough space inside the mount, you can store any cable left hanging out as shown below. Make sure the cable does not get damaged on the edges of anchor bolts and so on.



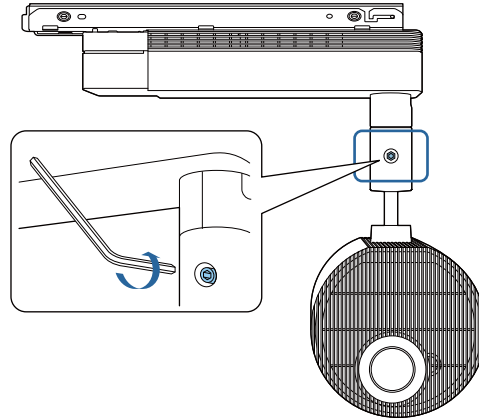
2 Connect the necessary cables and the SD card to the projector's interface.

☛ "Connectable Devices and Necessary Cables" [p.7](#)

## Adjusting the Orientation of the Projector

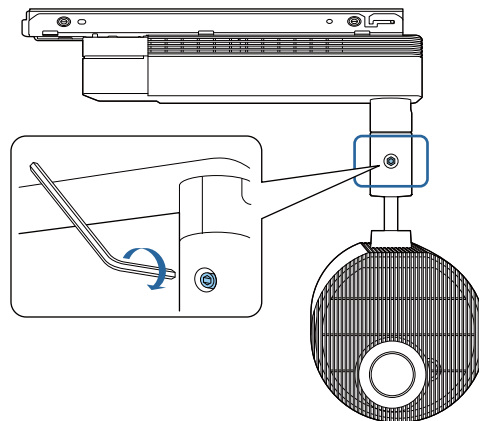
Use the ball joint to adjust the orientation and the angle of the projector.

- 1 Loosen the screw for the ball joint with a hexagonal wrench.



- 2 Adjust the orientation of the projector.

- 3 When you have finished making adjustments, securely tighten the screw for the ball joint section with a hexagonal wrench.



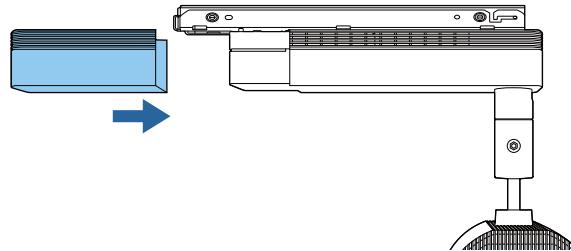
When re-tightening with the hexagonal wrench supplied, do not use the ball point side of the hexagonal wrench.

After adjusting the orientation of the projector, turn on the power and adjust the size and focus of the projected image. For more details, see the User's Guide supplied with the projector.

## Attaching the Covers

### Attaching the Power Adapter Cover

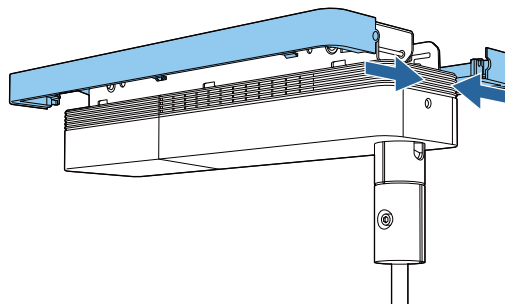
Attach the power adapter cover supplied to the projector.



### Attaching the Mount Cover

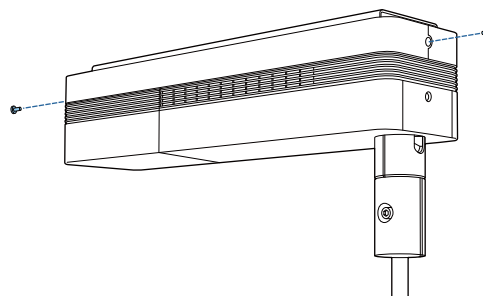
1

Insert the mount cover into the left and right grooves on the projector mount.



2

Secure the mount cover using the M3 x 6 mm screws supplied (x2).



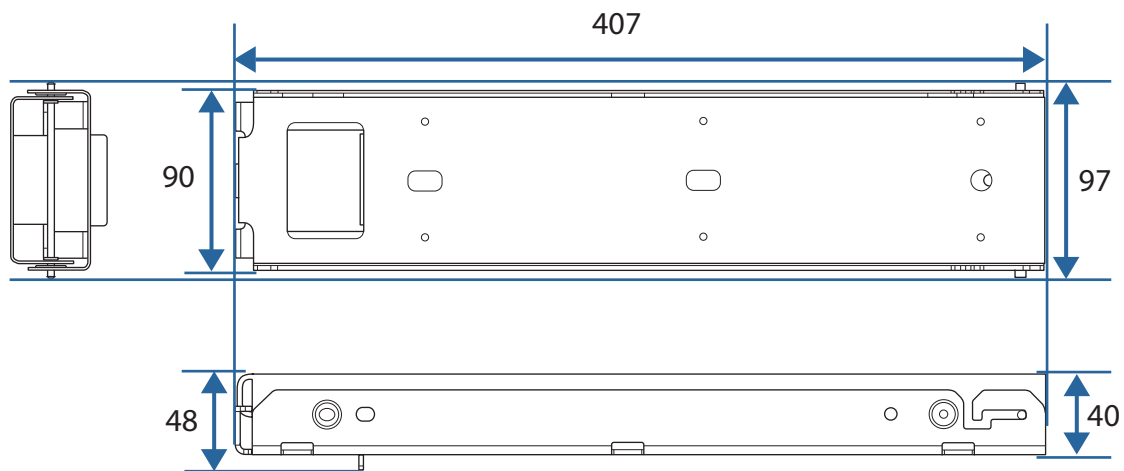
# Specification

Item	Specification
Weight (projector mount, ceiling mount, mount cover)	Approx. 1.9 kg

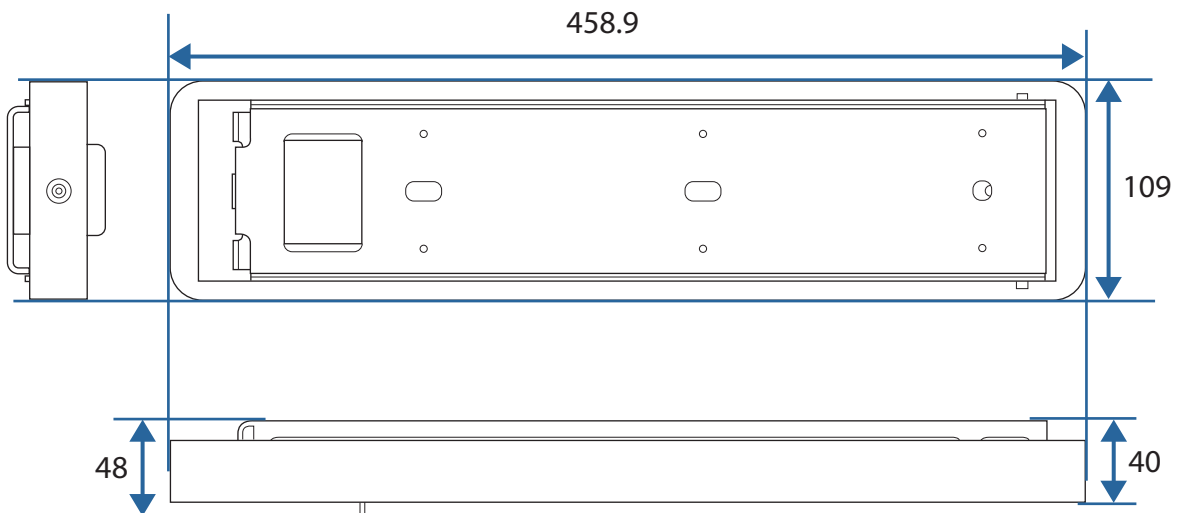
## Appearance

[Unit: mm]

Without the mount cover



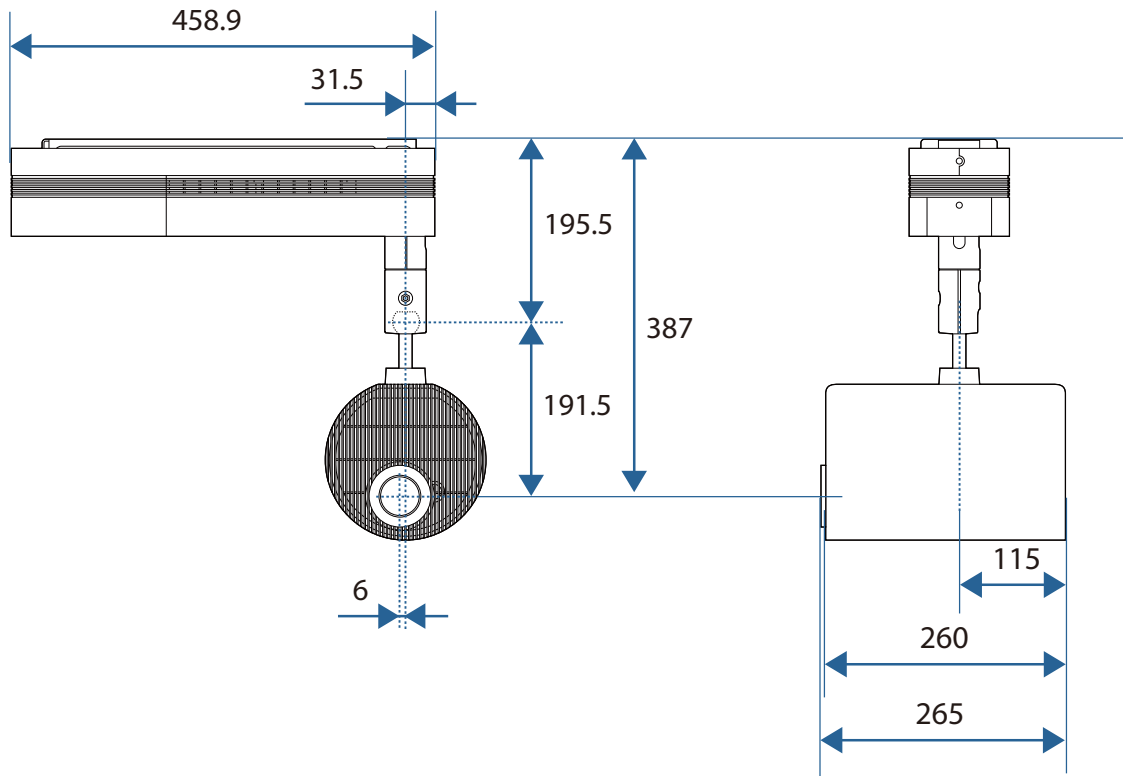
With the mount cover attached





## Assembly Dimensions

[Unit: mm]



© 2020 Seiko Epson Corporation  
2020.09 414025200EN