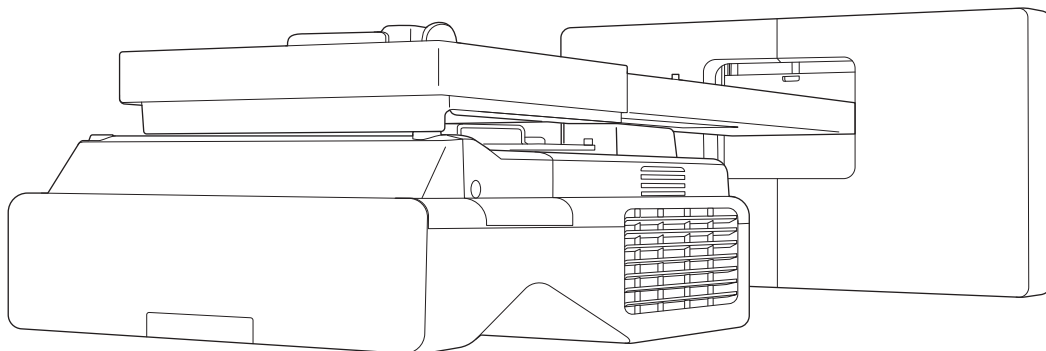


EB-775F
EB-770F
EB-760W
ELPMB62

Installation Guide



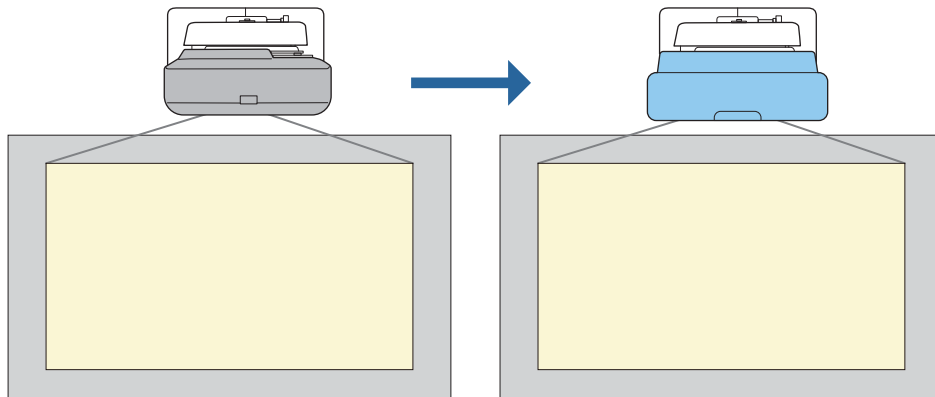
Contents of this Guide

This guide explains how to install an ultra-short throw projector (EB-775F/EB-770F/EB-760W) using the wall mount (ELPMB62).

If the mount is not supplied with the projector, you can purchase it as an optional item.

About Replacement Installations

You can replace the currently installed projector with EB-775F/EB-770F/EB-760W.



After replacing the projector, fine-tune the position of the projected image.

Conditions for Replacement Installations

When replacing the projector, check if the following conditions are met.

- The installed projector is one of the following:

- | | | | |
|---|--|--|---|
| <ul style="list-style-type: none"> BrightLink 485Wi BrightLink 485Wi+ BrightLink 475Wi BrightLink 475Wi+ BrightLink 480i PowerLite 485W PowerLite 475W | <ul style="list-style-type: none"> PowerLite 470 PowerLite 480 EB-485Wi EB-485Wie EB-475Wi EB-475Wie | <ul style="list-style-type: none"> EB-485W EB-485We EB-475W EB-475We | <ul style="list-style-type: none"> EB-470 EB-480 EB-480e EB-480i EB-470i |
| <ul style="list-style-type: none"> BrightLink 595Wi BrightLink 595Wi+ BrightLink 585Wi BrightLink 585Wi+ BrightLink 575Wi BrightLink 575Wi+ | <ul style="list-style-type: none"> PowerLite 585W PowerLite 575W PowerLite 580 PowerLite 570 | <ul style="list-style-type: none"> EB-595Wi EB-595Wie EB-585Wi EB-575Wi EB-575Wie | <ul style="list-style-type: none"> EB-585W EB-585We EB-575W EB-575We EB-580 EB-580e EB-570 |
| <ul style="list-style-type: none"> BrightLink 695Wi BrightLink 695Wi+ BrightLink 685Wi BrightLink 685Wi+ BrightLink 680Wi BrightLink 675Wi BrightLink 675Wi+ | <ul style="list-style-type: none"> PowerLite 685W PowerLite 675W PowerLite 680 PowerLite 670 | <ul style="list-style-type: none"> EB-695Wi EB-695Wie EB-685Wi EB-680Wi EB-675Wi | <ul style="list-style-type: none"> EB-685W EB-675W EB-680 EB-680e EB-670 |

- EB-755F
- EB-750F
- EB-735Fi
- EB-735F
- EB-725Wi
- EB-725W
- EB-720
- The installed wall mount is one of the following:
 - ELPMB28
 - ELPMB43
 - ELPMB46
- Projecting at a size of 65 to 100 inches
- Projectors have the same resolution

Example Workflow for Replacement Installations

You can replace the projector using the following workflow. The mount or your projector may differ from the illustrations. For details on handling and adjusting the mount, see the *Installation Guide* for the projector that has already been installed or for the wall mount.

1 Remove the old projector

- Remove the end cap (also remove the wall plate cover if necessary)
- Remove the adjustment unit from the setting plate

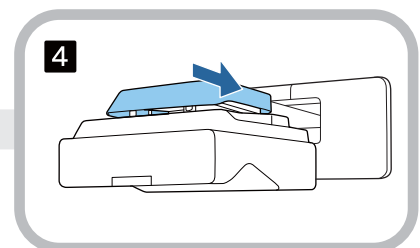
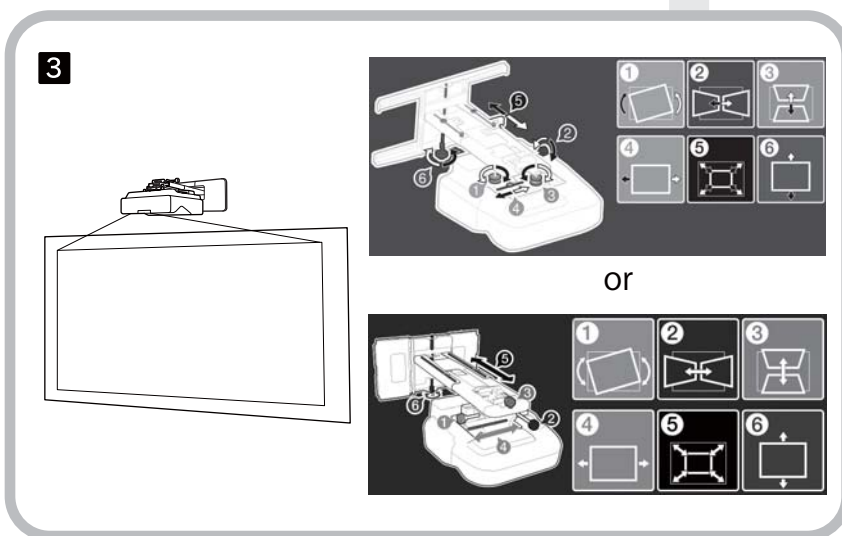
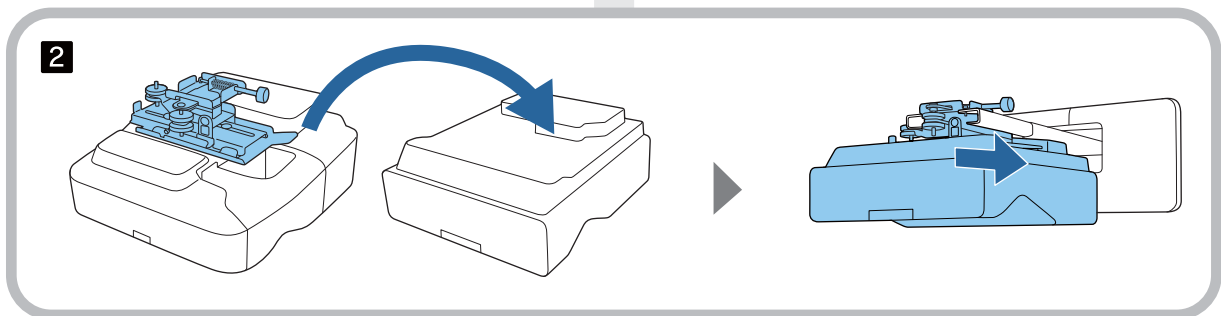
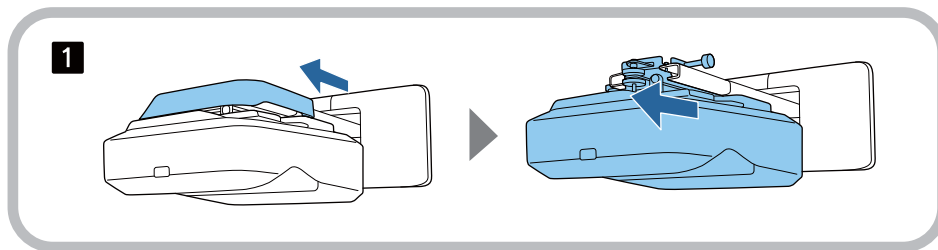
2 Install the new projector

- Remove the adjustment unit from the old projector and attach it to the new projector
- Attach the adjustment unit to the setting plate

3 Fine-tune the image

While projecting an image, fine-tune the position of the image using the adjustment dial on the mount and the projector's correction features

4 Attach the end cap



About This Installation Guide

Contents of this Guide 1

About Replacement Installations 2

Conditions for Replacement Installations 2

Example Workflow for Replacement Installations

..... 4

Introduction

Using the Product Safely 6

Safety Indications 6

Explanation of Symbols 6

Package Contents 7

Wall Mount 7

Main Mount 7

Accessories 8

Necessary Items 9

Figures of Installation Dimensions 10

Installing the Wall mount

Cautions on Installing the Wall Mount 11

Cautions on the Installation Location of the Wall Mount 14

Wall Mount Specifications 16

External Dimensions 17

Adjustment Range 20

Vertical slide 20

Horizontal slide 20

Forward/backward slide 21

Mini PC Installation Plate 22

Installing Accessories 22

Installation Procedure for the Wall Mount 23

Attaching the Mount 24

Determining the installation position (projection distance tables) 24

EB-775F/EB-770F 27

EB-760W 42

Attaching the adjustment unit to the projector 50

Install the wall plate on the wall 51

Attaching the setting plate to the wall plate 53

Attaching the adjustment unit to the setting plate 58

Attaching peripheral devices 59

Adjusting the Position of the Projected Image 62

Preparations before adjusting 63

Performing mechanical adjustment using the Setting Plate Installation Guide 65

Adjusting using the projector menus 68

Attaching the Covers 74

Attaching a Security Cable 75

Setting the Projector

Batch Setup Function 77

Setup Using a USB Flash Drive 77

Saving settings to the USB flash drive 77

Copying saved settings to other projectors 79

Setup by Connecting the Computer and Projector with a USB Cable 80

Saving settings to a computer 80

Copying saved settings to other projectors 81

When Setup Fails 82

Installing Multiple Projectors (Multi-Projection) 83

Setting the Projector ID 83

Adjusting the Image in Multi-Projection 85

When using the EB-775F/EB-770F 85

When using the EB-760W 86

Appendix

List of Safety Symbols 87

General Notice 90

Using the Product Safely



For your safety, read all the instructions in this guide before using this product. Incorrect handling that ignores instructions in this guide could damage this product or could result in personal injury or property damage. Keep this installation guide at hand for future reference.

Read the *User's Guide* and *Safety Instructions* for your projector and follow the instructions in these documents.




Safety Indications

The documentation and this product use graphical symbols to show how to use this product safely.

The indications and their meaning are as follows. Make sure you understand them properly before reading the guide.

Symbol	Explanation
 Warning	This symbol indicates information that, if ignored, could possibly result in personal injury or even death due to incorrect handling.
 Caution	This symbol indicates information that, if ignored, could possibly result in personal injury or physical damage due to incorrect handling.

Explanation of Symbols

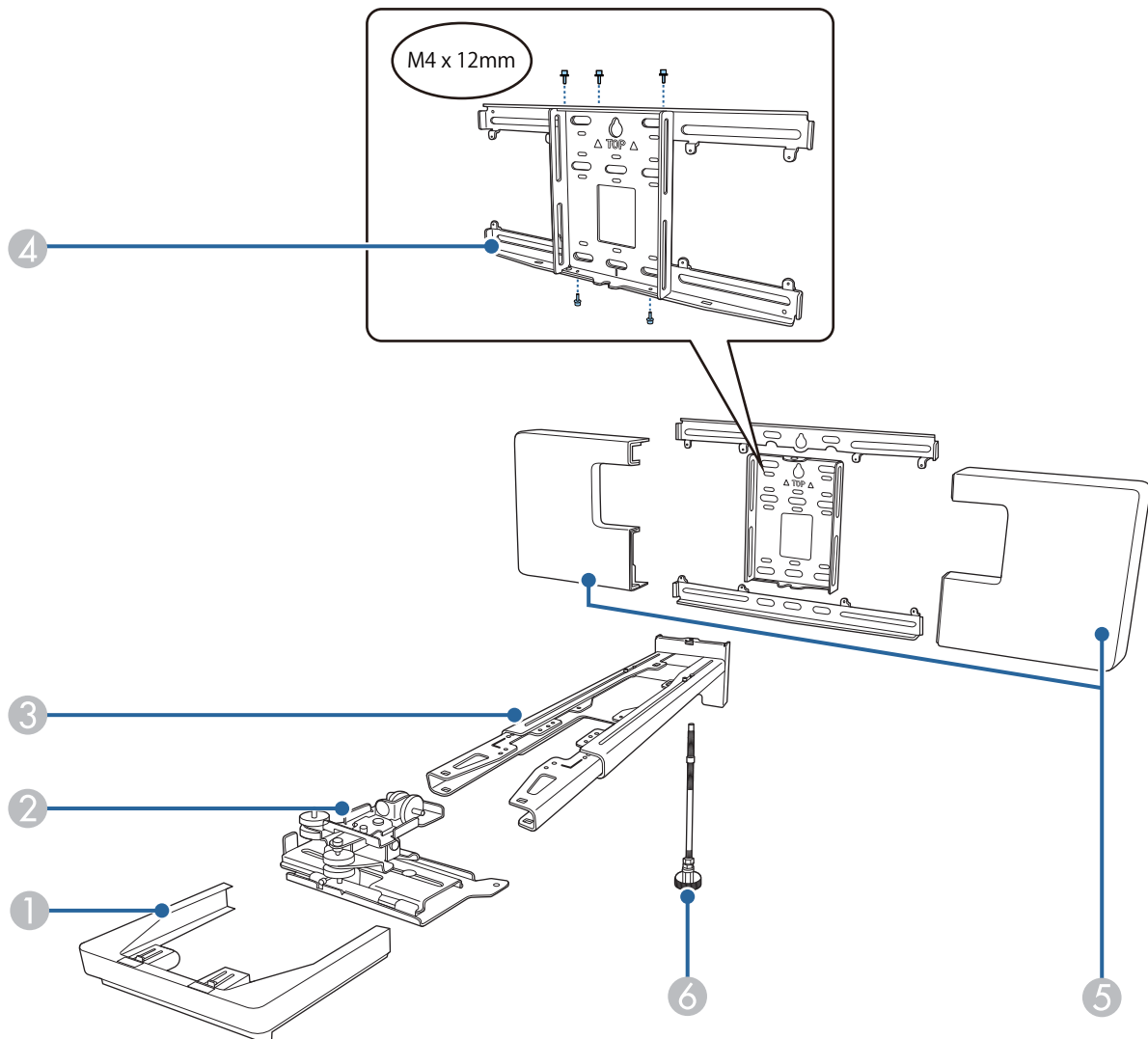
Symbols	Explanation
	Symbol indicating an action that must not be done
	Symbol indicating an action that should be done
	Symbol indicating related or useful information

Package Contents

Confirm that you have all necessary items before beginning installation.

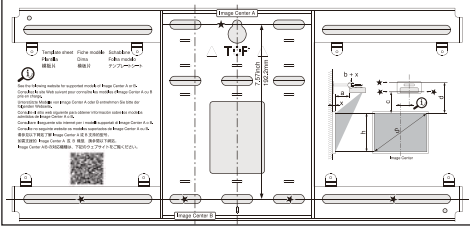
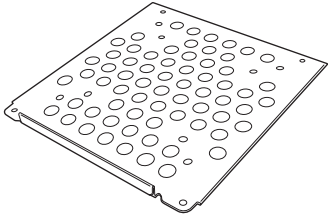


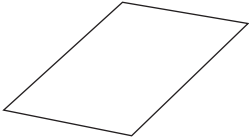
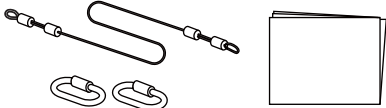

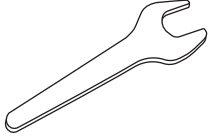


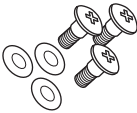
Wall Mount


Main Mount



No.	Part name
①	End cap
②	Adjustment unit
③	Setting plate
④	Wall plate
⑤	Wall plate cover
⑥	Hexagonal axis

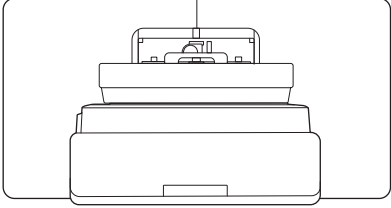
Accessories

Part	Name	Application
	<p>Template sheet</p>	<p>Attach this to the wall before attaching the wall plate, and use it to drill necessary holes.</p>
	<p>Mini PC plate</p>	<p>Attach this to the wall plate when installing a mini PC or stick PC.</p>
	<p>Mini PC belt</p>	<p>Secure the PC to the plate when attaching a mini PC or a stick PC that cannot be attached using screws.</p>
	<p>Cable binding belt</p>	<p>Secure excess cables after performing wiring.</p>
	<p>Masking sticker</p>	<p>Stick this over the groove in the arm of setting plate to cover it up after installing.</p>
	<p>Safety wire set</p>	<p>Connect to the wall mount and the projector to prevent the projector from falling. See the user's guide supplied with the safety wire set for more details.</p>
	<p>Hexagon wrench (for M4)</p>	<p>-</p>
	<p>Spanner (No. 13 for M6)</p>	<p>-</p>
	<p>M4 x 12 mm hexagon socket head cap bolt with washer/spring washer (x13)</p>	<ul style="list-style-type: none"> Assemble the wall plate as shown in the figure on p.7 (x5) Secure the adjustment unit to the projector (x4) Secure the adjustment unit to the setting plate (x4)
	<p>M6 x 20 mm hexagon shoulder head bolt with washer/spring washer (x1)</p>	<p>Secure the setting plate to the wall plate.</p>
	<p>M6 x 20 mm cross recessed head shoulder screws with plastic washers (x3)</p>	<p>-</p>

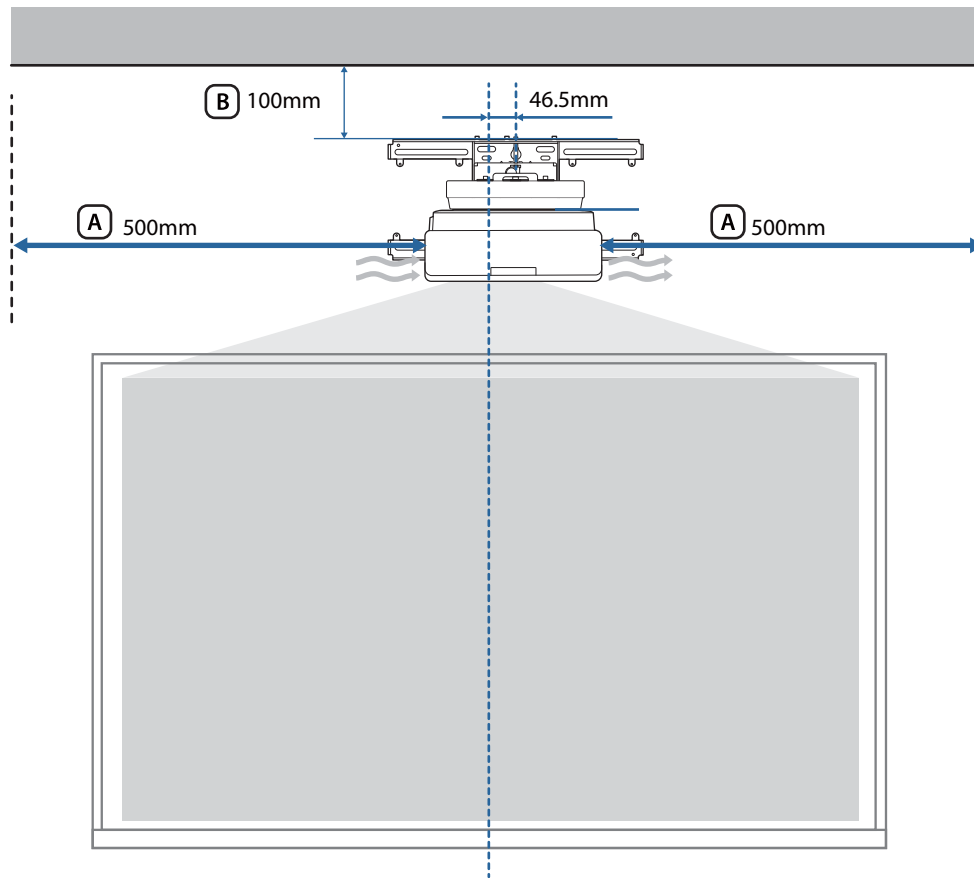
Part	Name	Application
	M3 x 6 mm cross recessed head shoulder screws (x4)	Secure the mini PC plate to the wall plate.

Necessary Items

As well as the items supplied, you also need to prepare the following screws and tools.

Applicable parts	Necessary items
	<p>For the wall mount</p> <ul style="list-style-type: none"> • M10 or 3/8 inch x 60 mm anchor bolts (for securing the wall plate: at least x4) • M10 screw (for securing the wall plate temporarily: x1) • 17 mm ratchet wrench (for adjusting hexagonal axis) • Cables to connect to the projector • Devices such as mini PCs

Figures of Installation Dimensions













Caution













When installing the projector, make sure there is a gap between the wall and the projector's air exhaust and intake vents. (See figure **A** above)














Leaving a gap of approximately 100 mm from the ceiling to the top of the wall plate makes it easier to install and remove the projector. (See figure **B** above)






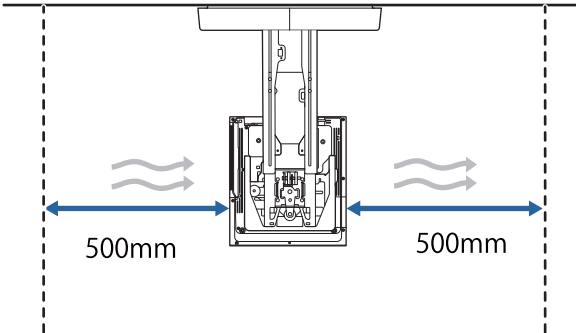


Cautions on Installing the Wall Mount

 Warning	
<p>The Wall mount is exclusively for mounting the projector on a wall. If anything other than a projector is mounted, the weight may result in damage.</p> <p>If this product falls, it could cause death or personal injury.</p>	
<p>The installation work (wall mounting) should be performed by specialists who have technical knowledge and ability. Incomplete or incorrect installation could cause the product to fall and cause personal injury or property damage.</p>	
<p>Follow the steps in this guide to install the Wall mount, and be sure to use the bolts and screws specified in this guide.</p> <p>If the instructions are not followed, this product may fall, resulting in personal injury or an accident.</p>	
<p>Handle the power cord carefully.</p> <p>Incorrect handling may cause fire or electric shock. Observe the following precautions when handling:</p> <ul style="list-style-type: none"> • Do not handle the power plug with wet hands. • Do not use a power cord that is damaged or modified. • Do not pull the power cord with too much force when routing the cable through the setting plate. 	
<p>Do not install the setting plate in a place where it might be subjected to vibration or shock.</p> <p>This could cause damage to the projector or mounting surface. If this product falls, it could cause death or personal injury.</p>	
<p>When installing on a wall, install so that it can sufficiently support the mass of the projector and the Wall mount and resist any horizontal vibration. Use M10 or 3/8 inch x 60 mm nuts and bolts.</p> <p>Nuts and bolts smaller than M10 or 3/8 inch x 60 mm could cause the setting plate to fall. Epson accepts no responsibility for any damage or injury caused by lack of wall strength or inadequate installation.</p>	
<p>The installation work should be performed by at least two qualified service personnel. If you need to loosen any screws during installation, be careful not to drop this product.</p> <p>If this product falls, it could cause death or personal injury.</p>	
<p>When installing this product on a wall, the wall requires enough strength to hold the projector and the Wall mount.</p> <p>This product should be installed on a concrete wall.</p> <p>The maximum combined weight of the projector and the Wall mount is approximately 15.1 kg (not including cables).</p> <p>Ensure the strength of the wall before mounting this product on the wall. If the wall is not strong enough, reinforce the wall before installation.</p>	
<p>Inspect the setting plate on a regular basis to ensure there are no broken parts or loose screws.</p> <p>If any parts are damaged, stop using the setting plate immediately. If this product falls, it could cause death or personal injury.</p>	


 Warning	
<p>Do not disassemble or remodel this product.</p> <p>There are numerous high-voltage sections inside the product that could cause a fire, electric shock, or an accident.</p>	
<p>Do not hang on this product. Do not hang heavy objects on this product.</p> <p>If this product falls, it could cause death or personal injury.</p>	
<p>Do not use adhesives, lubricants, or oils to install or adjust the Wall mount.</p> <p>If you use adhesives to prevent the screws from loosening or things such as lubricants or oils on the slide plate fixing part of the projector, the case may crack and cause the projector to fall, resulting in personal injury or property damage.</p>	
<p>Tighten all screws firmly after adjustment.</p> <p>Otherwise, the product may fall and cause personal injury or property damage.</p>	
<p>Never loosen the bolts and nuts after installation.</p> <p>Confirm that the screws have not become loose on a regular basis. If you find any loose screws, tighten them firmly. Otherwise, the product may fall and cause personal injury or property damage.</p>	
<p>Route the cables so that they are not interfered with the nuts and bolts.</p> <p>Incorrect handling of the cables may cause fire or electric shock.</p>	
<p>When turning on the projector, do not look into the projection window.</p> <p>This could cause damage to eyesight due to the powerful light emitted. Take particular care when there are children present. When turning on the projector at a distance using the remote control, make sure there is no one looking into the projection window.</p>	
<p>When using the projector, do not place any objects or put your hand near the projection window.</p> <p>This area is dangerous as it reaches a high temperature due to the concentrated projection light.</p>	
<p>Do not use the projector in a location subject to combustible or explosive gas.</p> <p>High temperatures within the projector may cause ignition and a fire to occur.</p>	
<p>Only a specialist should remove or reinstall the projector, including for maintenance and repairs.</p> <p>See the projector's <i>User's Guide</i> for instructions on maintenance and repairs.</p>	
<p>If any abnormalities occur with this product, immediately disconnect the cables from the product, and then contact your local dealer or the nearest Epson service call center.</p> <p>Continuing to use the product in an abnormal condition could cause a fire, electric shock, or visual impairment.</p>	

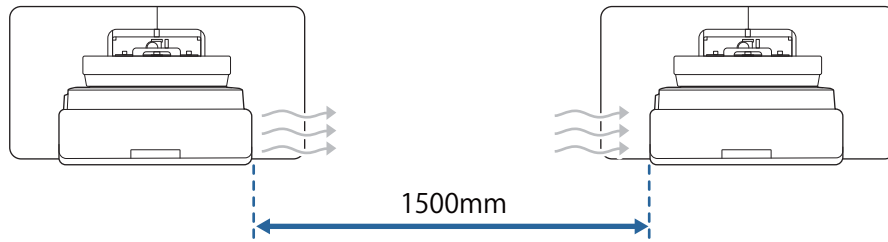
 Warning	
<p>Laser warning labels have been attached to the projector.</p> <p>Do not look into the laser beam emitted from the projection window while projecting. (Compliant with IEC/EN60825-1:2014)</p> 	
<p>Never open any cases on the projector.</p> <p>Electrical voltages inside the projector can cause severe injury.</p>	
<p>Do not look directly into the projector's light source.</p> <p>Possibly hazardous optical radiation emitted from this product. Eye injury may result.</p>	
 Caution	
<p>Do not install this product in a location where the operating temperature for your projector model may be exceeded.</p> <p>Such an environment may damage the projector.</p>	
<p>Install this product in a place free from excessive dust and humidity to prevent the lens or optical components from becoming dirty.</p>	
<p>Do not use excessive force when adjusting this product.</p> <p>This product may break, resulting in personal injury.</p>	
<p>This projector is a Class 1 laser product that complies with the IEC/EN60825-1: 2014 international standard for lasers.</p>	
<p>Do not disassemble the projector when disposing of it.</p> <p>Dispose according to your local or national laws and regulations.</p>	

Cautions on the Installation Location of the Wall Mount

 Warning	
<p>Do not install in a location subject to oily smoke or smoke for events.</p> <p>If oils and so on stick to the slide plate fixing part of the projector, the case may crack and cause the projector to fall, resulting in personal injury or property damage.</p>	
 Caution	
<p>Carry out power supply wiring work at the installation location of the projector in advance.</p>	
<p>Install the projector away from other electric devices such as fluorescent lights or air conditioners.</p> <p>Some types of fluorescent lights could interfere with the remote control.</p>	
<p>When installing the projector, make sure there is a gap between the wall and the projector's air exhaust and intake vents as shown in the following image.</p> <div style="text-align: center;">  </div>	
<p>When installing two or more projectors in parallel, make sure the temperature of the surrounding environment is less than 35°C.</p> <p>If the environment is too hot, the projector may overheat and the power may turn off without warning.</p>	

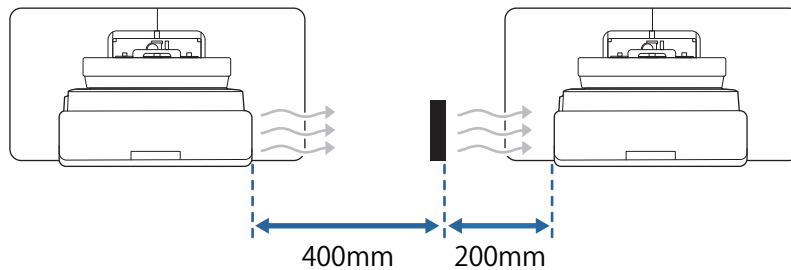
 Caution


When installing two or more projectors in parallel, leave a gap of at least 1,500 mm between the projectors. 



If you cannot secure a gap of approx. 1,200 mm, install a partition to block the heat vented from the projector's air exhaust vent.

The partitions should be larger than the exhaust vent (approx. 20 mm in all directions), and installed approximately 400 mm from the exhaust vent and 200 mm from the intake vents.



Install and adjust the projector at a room temperature that is close to the actual intended usage environment. 

If the temperature changes, the position of the image may shift.

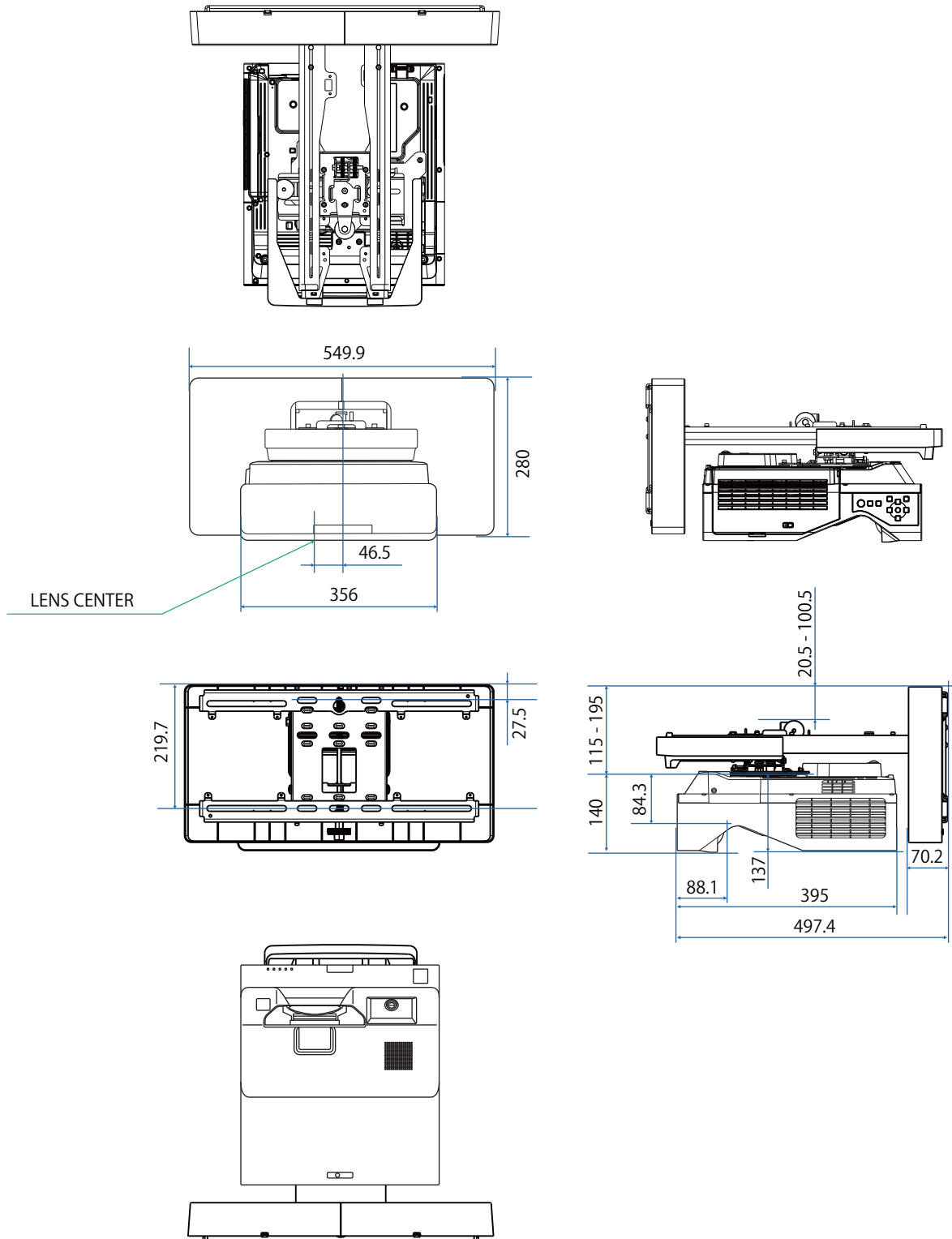
We recommend using stick-on screens or board screens. 

Wall Mount Specifications

Item	Specification
Wall mount mass (setting plate, hexagonal axis, adjustment unit, wall plate, wall plate cover, end cap)	Approx. 9.2 kg
Load capacity	Approx. 15.0 kg

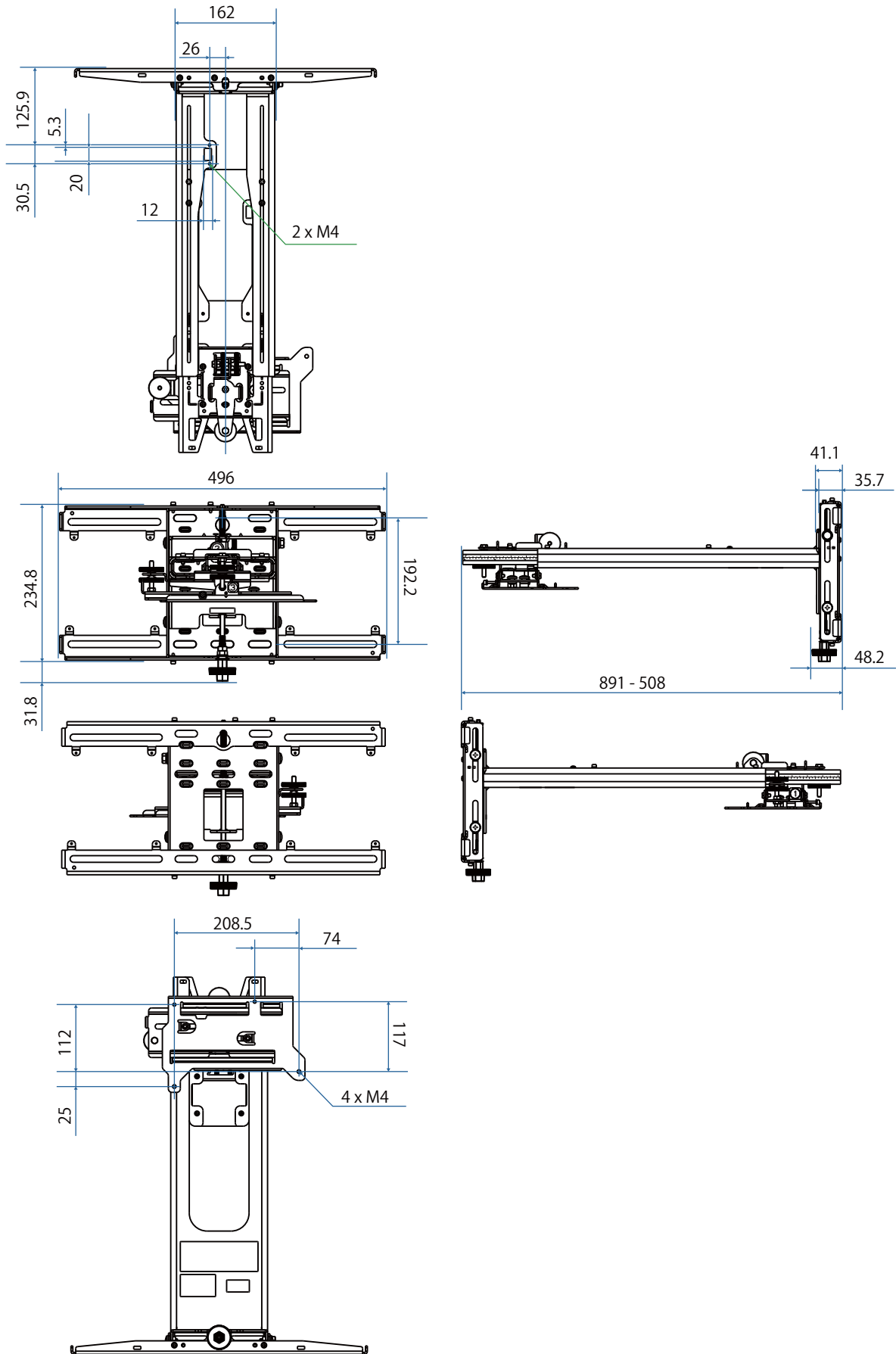
External Dimensions

[Unit: mm]



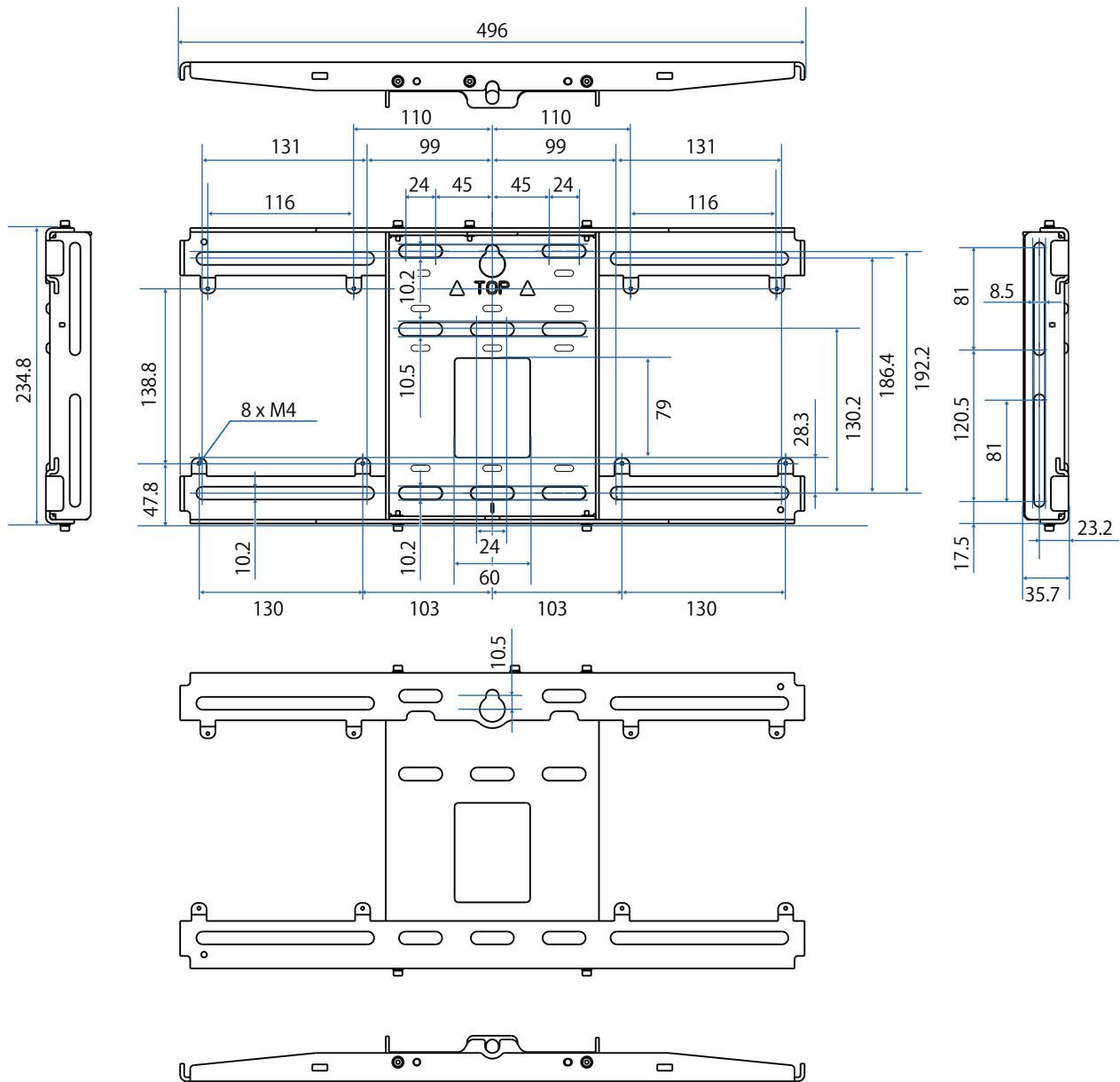
Installing the Wall mount

[Unit: mm]



Installing the Wall mount

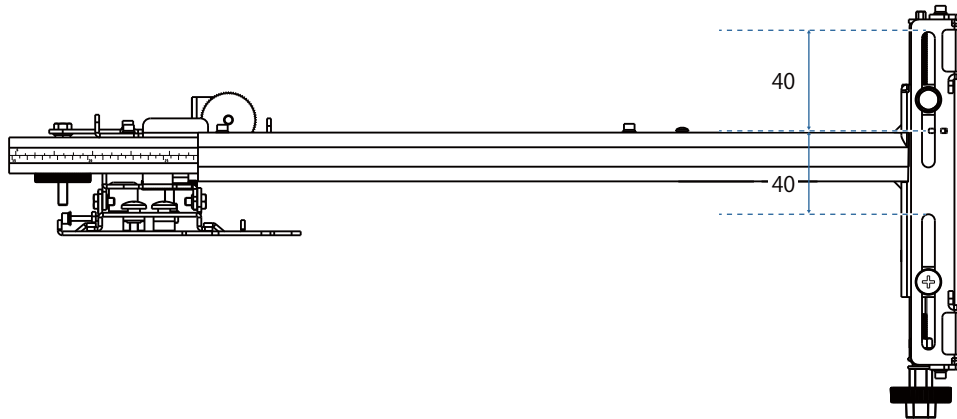
[Unit: mm]



Adjustment Range

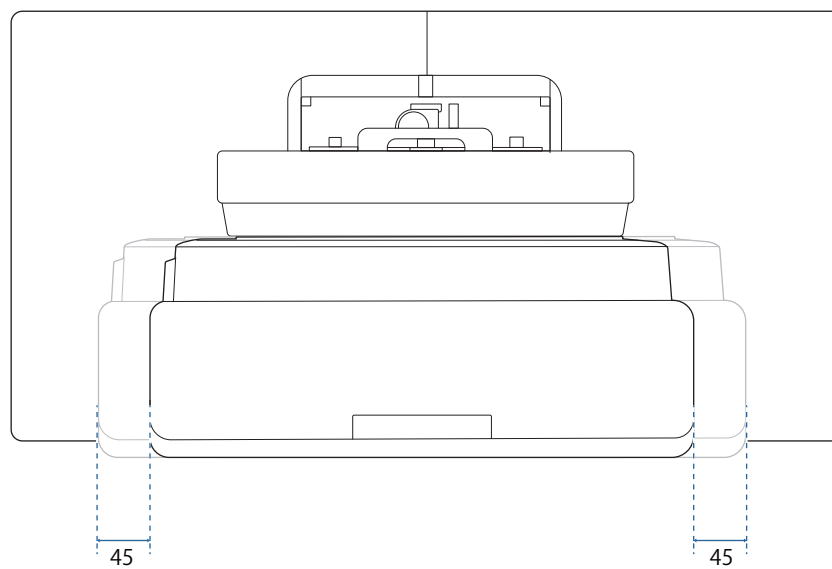
■ Vertical slide

[Unit: mm]



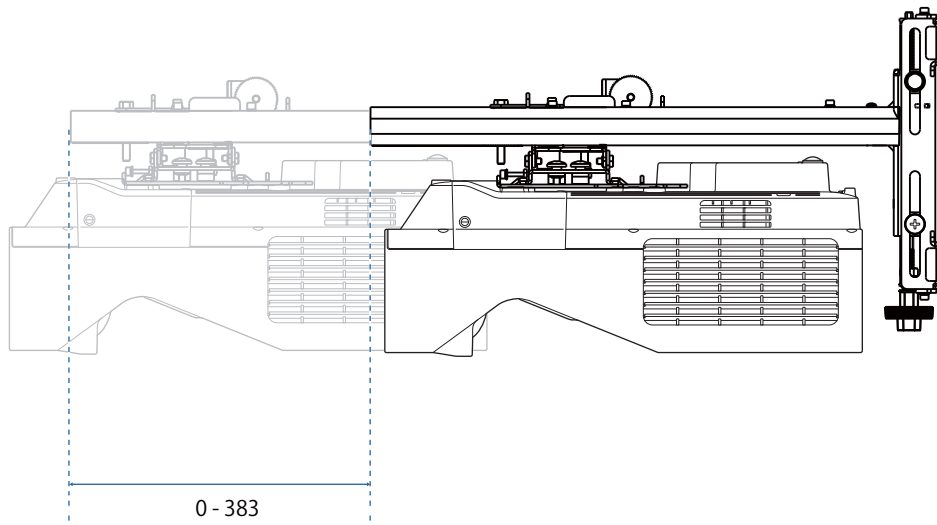
■ Horizontal slide

[Unit: mm]



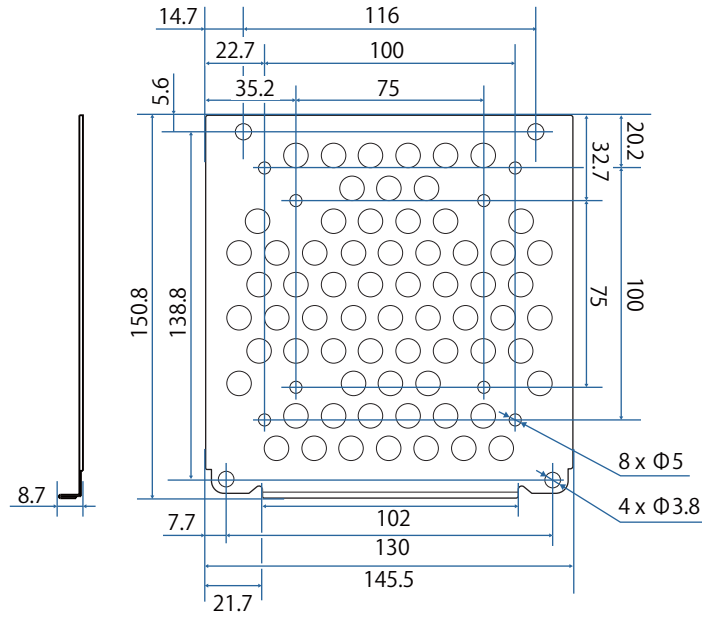
■ Forward/backward slide

[Unit: mm]



Mini PC Installation Plate

[Unit: mm]

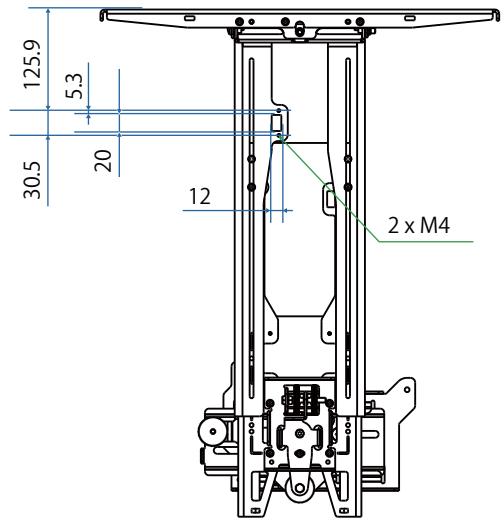


Item	Specification
Screw holes for installing PC (VESA compliant)	75 mm x 75 mm 100 mm x 100 mm
Supported PC sizes	Within 150 mm x 150 mm x 44 mm
Supported PC weight	0.7 kg or less

Installing Accessories

When installing a switcher or a tuner, use the screw holes shown in the figure below to secure them.

[Unit: mm]



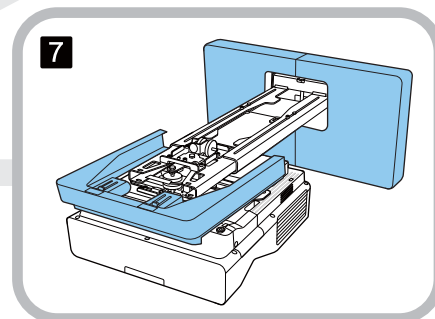
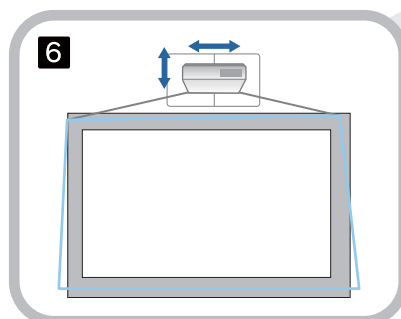
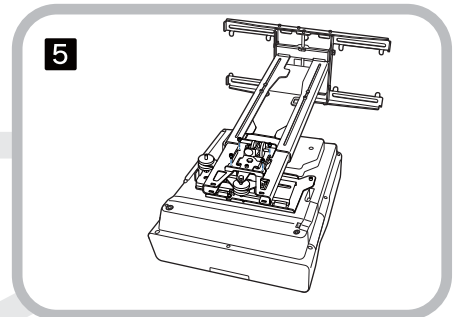
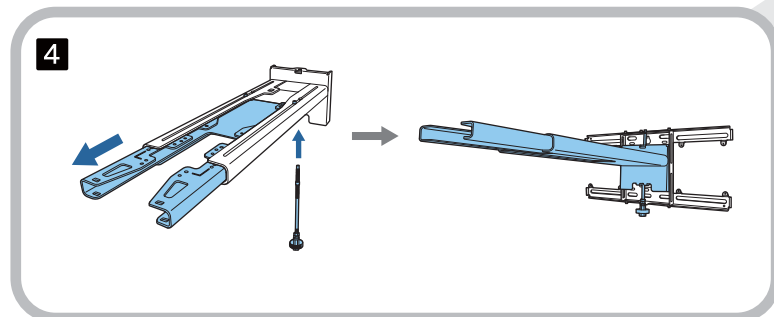
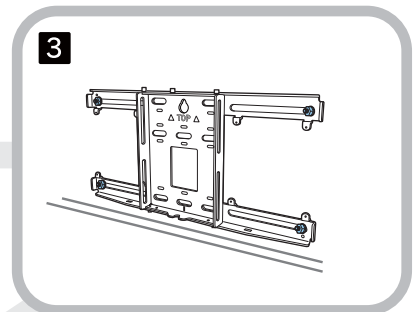
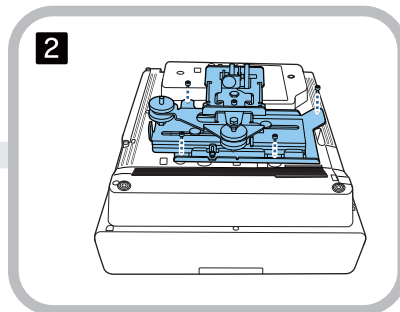
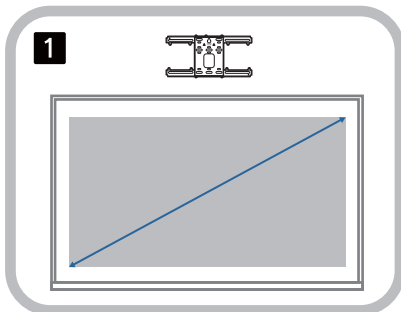
Before installing, check that the total weight, including the projector and connection cables, is below the maximum load capacity for the wall mount. (☛ "Wall Mount Specifications" p.16)

Installation Procedure for the Wall Mount

Follow the work flow below to install the wall mount.

Route the cables before installing the wall mount according to your installation environment.

- 1 Check the projection distance tables to determine the installation position (☞ p.24)
- 2 Attach the adjustment unit to the projector (☞ p.50)
- 3 Install the wall plate on the wall (☞ p.51)
- 4 Adjust the arm length of the setting plate, and then attach it to the wall plate (☞ p.53)
- 5 Attach the adjustment unit to the setting plate, and then connect the cables and peripheral devices (☞ p.58)
- 6 Adjust the position of the image (☞ p.62)
- 7 Attach the covers (☞ p.74)



Attaching the Mount

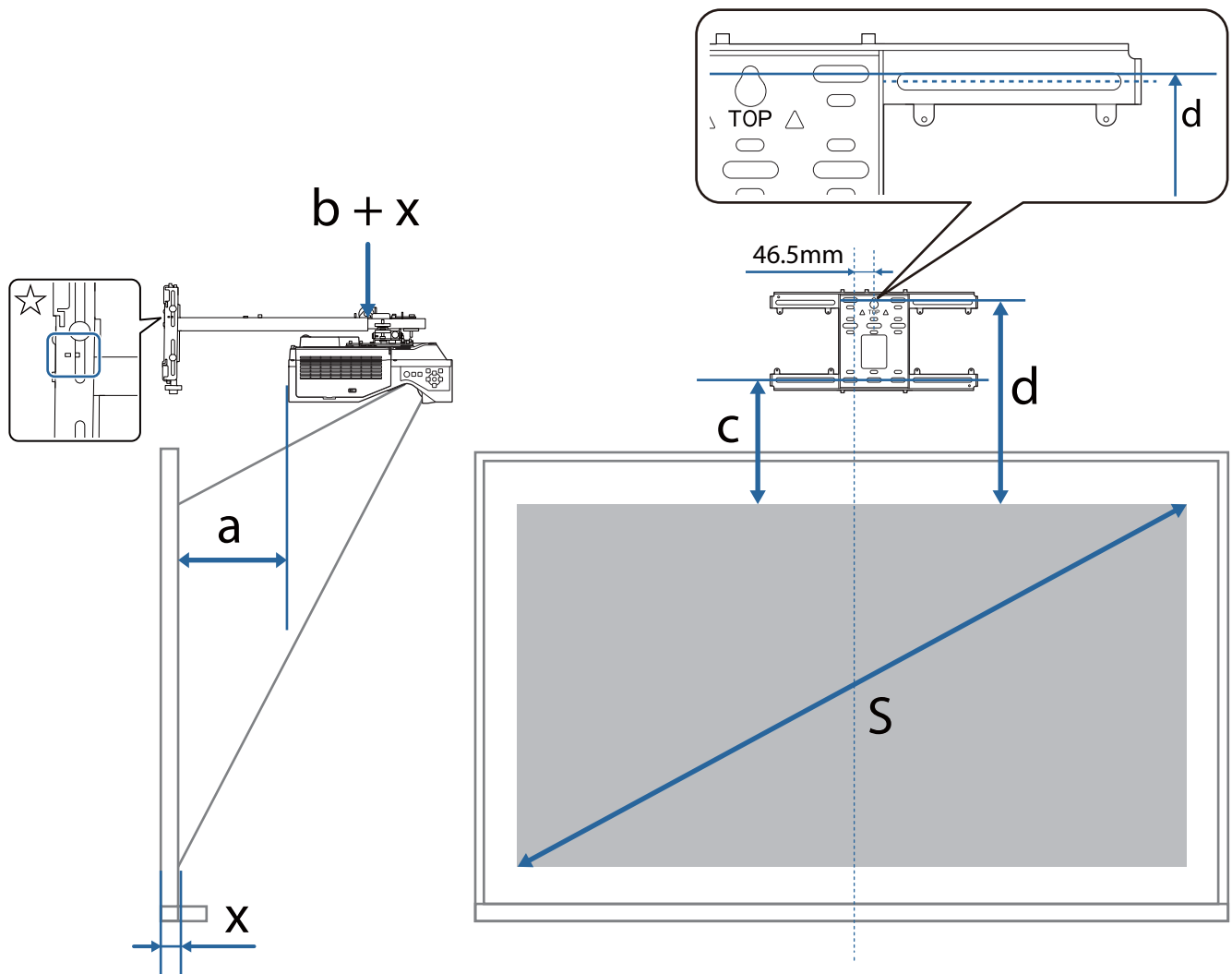
■ Determining the installation position (projection distance tables)

Determine the installation position of the wall plate according to the size of the screen (S) you want to project on to. See the following figure to check the values from a to d. This is the value when the setting plate is in the middle of the wall plate (See ☆ in the following illustration).

The offset value for the center of the screen being projected and the center of the Wall Plate is 46.5 mm.



A shorter x distance may increase the minimum projection size.



a: Minimum projection distance (Wide)

b + x: Number on the arm slide scale on the setting plate (maximum 533 mm)

x: Distance from the wall to the projection surface

c: Distance from the top edge of the image to the bottom installation screw hole for the wall plate

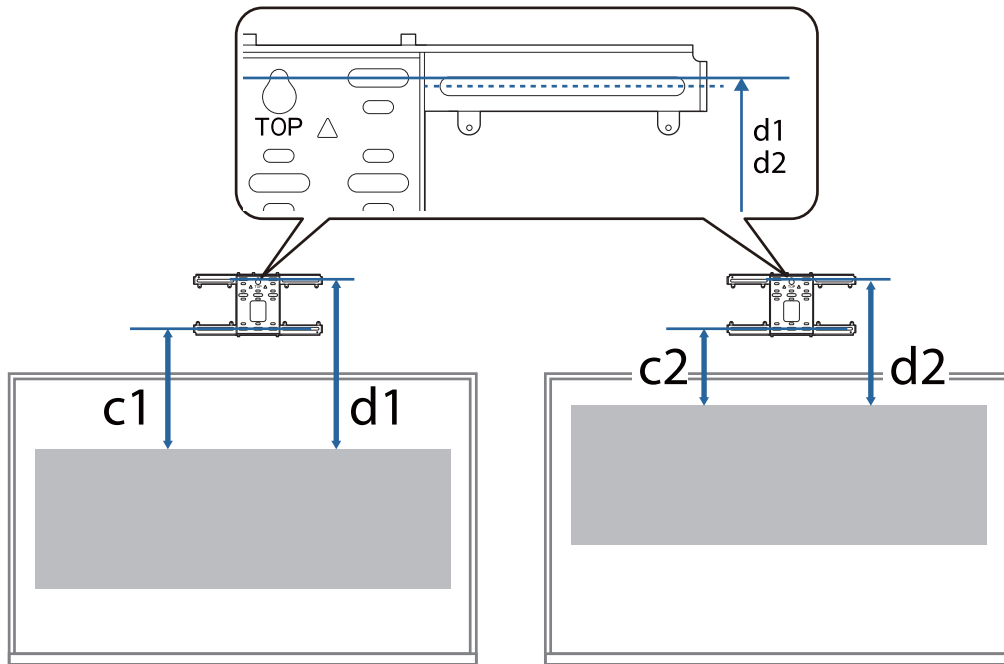
d: Distance from the top edge of the image to the temporary screw hole for the wall plate

S: Projected image size

See the following for the values for c and d when projecting at an aspect ratio of 16:6.

(When using the EB-775F/EB-770F)

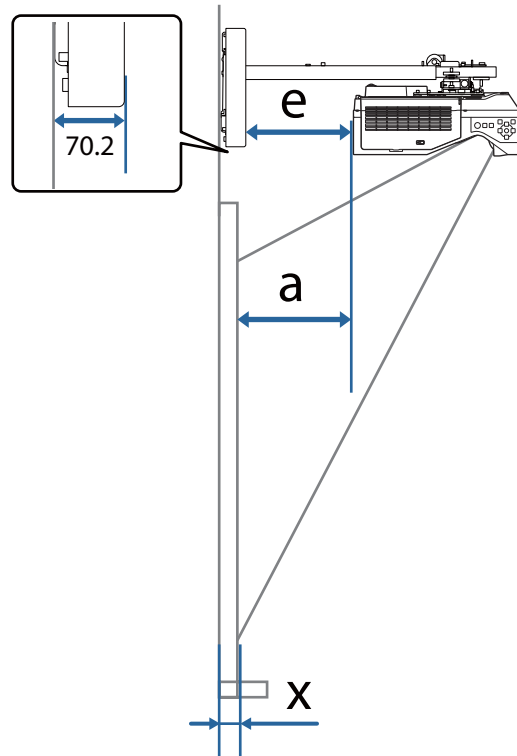
- c1/d1: When the **Screen Position** is in the center
- c2/d2: When the **Screen Position** is at the top



If the projection size is too small, there may not be enough space at the back of the projector for cable connections.

Installing the Wall mount

When you have determined the projection distance (a), see the following figure to calculate the distance (e), and then check in advance whether your cables will fit at the back of the projector.



- a: Minimum projection distance (Wide)
- e: Distance from front of wall plate cover to back of projector
(Formula: $e = a - 70.2 \text{ mm} + x$)
- x: Distance from the wall to the projection surface

■ EB-775F/EB-770F

16:9 projected image

[Unit: mm]

	S	a	b	c	d
71 "	1572 × 884	88	147	221	413
72 "	1594 × 897	94	153	224	416
73 "	1616 × 909	101	160	227	419
74 "	1638 × 921	107	166	230	422
75 "	1660 × 934	113	172	233	425
76 "	1682 × 946	120	178	236	428
77 "	1705 × 959	126	185	239	431
78 "	1727 × 971	132	191	242	434
79 "	1749 × 984	139	197	245	437
80 "	1771 × 996	145	204	248	440
81 "	1793 × 1009	151	210	251	443
82 "	1815 × 1021	157	216	254	446
83 "	1837 × 1034	164	223	257	449
84 "	1860 × 1046	170	229	260	452
85 "	1882 × 1058	176	235	263	455
86 "	1904 × 1071	183	242	266	458
87 "	1926 × 1083	189	248	269	461
88 "	1948 × 1096	195	254	272	464
89 "	1970 × 1108	202	260	275	467
90 "	1992 × 1121	208	180	278	470
91 "	2015 × 1133	214	186	281	473
92 "	2037 × 1146	221	192	283	476
93 "	2059 × 1158	227	199	286	479
94 "	2081 × 1171	233	205	289	482
95 "	2103 × 1183	240	211	292	485
96 "	2125 × 1195	246	218	295	488
97 "	2147 × 1208	252	224	298	491
98 "	2170 × 1220	258	230	301	494
99 "	2192 × 1233	265	237	304	497
100 "	2214 × 1245	271	243	307	500

	S	a	b	c	d
101 "	2236 × 1258	277	249	310	502
102 "	2258 × 1270	284	256	313	505
103 "	2280 × 1283	290	262	316	508
104 "	2302 × 1295	296	268	319	511
105 "	2324 × 1308	303	274	322	514
106 "	2347 × 1320	309	281	325	517
107 "	2369 × 1332	315	287	328	520
108 "	2391 × 1345	322	293	331	523
109 "	2413 × 1357	328	300	334	526
110 "	2435 × 1370	334	306	337	529
111 "	2457 × 1382	340	312	340	532
112 "	2479 × 1395	347	319	343	535
113 "	2502 × 1407	353	325	346	538
114 "	2524 × 1420	359	331	349	541
115 "	2546 × 1432	366	338	352	544
116 "	2568 × 1445	372	344	355	547
117 "	2590 × 1457	378	350	358	550
118 "	2612 × 1469	385	356	361	553
119 "	2634 × 1482	391	363	364	556
120 "	2657 × 1494	397	369	367	559

	S	a	b	c	d
121 "	2679 × 1507	404	375	370	562
122 "	2701 × 1519	410	382	373	565
123 "	2723 × 1532	416	388	376	568
124 "	2745 × 1544	422	394	379	571
125 "	2767 × 1557	429	401	382	574
126 "	2789 × 1569	435	407	385	577
127 "	2812 × 1581	441	413	388	580
128 "	2834 × 1594	448	420	391	583
129 "	2856 × 1606	454	426	394	586
130 "	2878 × 1619	460	432	397	589
131 "	2900 × 1631	467	439	400	592
132 "	2922 × 1644	473	445	403	595
133 "	2944 × 1656	479	451	406	598
134 "	2966 × 1669	486	457	409	601
135 "	2989 × 1681	492	464	411	604
136 "	3011 × 1694	498	470	414	607
137 "	3033 × 1706	505	476	417	610
138 "	3055 × 1718	511	483	420	613
139 "	3077 × 1731	517	489	423	616
140 "	3099 × 1743	523	495	426	619
141 "	3121 × 1756	530	502	429	622
142 "	3144 × 1768	536	508	432	625
143 "	3166 × 1781	542	514	435	627

4:3 projected image

[Unit: mm]

	S	a	b	c	d
58 "	1179 × 884	88	147	221	413
59 "	1199 × 899	95	154	225	417
60 "	1219 × 914	103	162	228	420
61 "	1240 × 930	111	170	232	424
62 "	1260 × 945	119	177	236	428
63 "	1280 × 960	126	185	239	431
64 "	1300 × 975	134	193	243	435
65 "	1321 × 991	142	201	246	439
66 "	1341 × 1006	150	208	250	442
67 "	1361 × 1021	157	216	254	446
68 "	1382 × 1036	165	224	257	450
69 "	1402 × 1052	173	232	261	453
70 "	1422 × 1067	180	239	265	457
71 "	1443 × 1082	188	247	268	460
72 "	1463 × 1097	196	255	272	464
73 "	1483 × 1113	204	262	276	468
74 "	1504 × 1128	211	270	279	471
75 "	1524 × 1143	219	278	283	475
76 "	1544 × 1158	227	286	287	479
77 "	1565 × 1173	234	293	290	482
78 "	1585 × 1189	242	301	294	486
79 "	1605 × 1204	250	309	297	490
80 "	1626 × 1219	258	316	301	493

	S	a	b	c	d
81 "	1646 × 1234	265	324	305	497
82 "	1666 × 1250	273	332	308	501
83 "	1687 × 1265	281	340	312	504
84 "	1707 × 1280	288	347	316	508
85 "	1727 × 1295	296	355	319	511
86 "	1748 × 1311	304	363	323	515
87 "	1768 × 1326	312	370	327	519
88 "	1788 × 1341	319	378	330	522
89 "	1808 × 1356	327	386	334	526
90 "	1829 × 1372	335	397	338	530
91 "	1849 × 1387	342	314	341	533
92 "	1869 × 1402	350	322	345	537
93 "	1890 × 1417	358	330	348	541
94 "	1910 × 1433	366	337	352	544
95 "	1930 × 1448	373	345	356	548
96 "	1951 × 1463	381	353	359	552
97 "	1971 × 1478	389	361	363	555
98 "	1991 × 1494	397	368	367	559
99 "	2012 × 1509	404	376	370	562
100 "	2032 × 1524	412	384	374	566

	S	a	b	c	d
101 "	2052 × 1539	420	392	378	570
102 "	2073 × 1554	427	399	381	573
103 "	2093 × 1570	435	407	385	577
104 "	2113 × 1585	443	415	389	581
105 "	2134 × 1600	451	422	392	584
106 "	2154 × 1615	458	430	396	588
107 "	2174 × 1631	466	438	399	592
108 "	2195 × 1646	474	446	403	595
109 "	2215 × 1661	481	453	407	599
110 "	2235 × 1676	489	461	410	603
111 "	2256 × 1692	497	469	414	606
112 "	2276 × 1707	505	476	418	610
113 "	2296 × 1722	512	484	421	614
114 "	2316 × 1737	520	492	425	617
115 "	2337 × 1753	528	500	429	621
116 "	2357 × 1768	535	507	432	624
117 "	2377 × 1783	543	515	436	628

16:10 projected image

[Unit: mm]

	S	a	b	c	d
66 "	1422 × 888	90	149	222	414
67 "	1443 × 902	97	156	225	417
68 "	1465 × 915	104	163	228	421
69 "	1486 × 929	111	169	232	424
70 "	1508 × 942	117	176	235	427
71 "	1529 × 956	124	183	238	430
72 "	1551 × 969	131	190	241	434
73 "	1572 × 983	138	197	245	437
74 "	1594 × 996	145	203	248	440
75 "	1615 × 1010	151	210	251	443
76 "	1637 × 1023	158	217	254	446
77 "	1659 × 1037	165	224	257	450
78 "	1680 × 1050	172	231	261	453
79 "	1702 × 1063	179	238	264	456
80 "	1723 × 1077	186	244	267	459

	S	a	b	c	d
81 "	1745 × 1090	192	251	270	462
82 "	1766 × 1104	199	258	274	466
83 "	1788 × 1117	206	265	277	469
84 "	1809 × 1131	213	272	280	472
85 "	1831 × 1144	220	278	283	475
86 "	1852 × 1158	226	285	286	479
87 "	1874 × 1171	233	292	290	482
88 "	1895 × 1185	240	299	293	485
89 "	1917 × 1198	247	306	296	488
90 "	1939 × 1212	254	312	299	491
91 "	1960 × 1225	261	318	302	495
92 "	1982 × 1239	267	324	306	498
93 "	2003 × 1252	274	330	309	501
94 "	2025 × 1265	281	336	312	504
95 "	2046 × 1279	288	342	315	508
96 "	2068 × 1292	295	348	319	511
97 "	2089 × 1306	301	354	322	514
98 "	2111 × 1319	308	360	325	517
99 "	2132 × 1333	315	366	328	520
100 "	2154 × 1346	322	372	331	524

	S	a	b	c	d
101 "	2175 × 1360	329	301	335	527
102 "	2197 × 1373	336	307	338	530
103 "	2219 × 1387	342	314	341	533
104 "	2240 × 1400	349	321	344	537
105 "	2262 × 1414	356	328	348	540
106 "	2283 × 1427	363	335	351	543
107 "	2305 × 1440	370	341	354	546
108 "	2326 × 1454	376	348	357	549
109 "	2348 × 1467	383	355	360	553
110 "	2369 × 1481	390	362	364	556
111 "	2391 × 1494	397	369	367	559
112 "	2412 × 1508	404	376	370	562
113 "	2434 × 1521	411	382	373	565
114 "	2455 × 1535	417	389	376	569
115 "	2477 × 1548	424	396	380	572
116 "	2499 × 1562	431	403	383	575
117 "	2520 × 1575	438	410	386	578
118 "	2542 × 1589	445	416	389	582
119 "	2563 × 1602	451	423	393	585
120 "	2585 × 1615	458	430	396	588
121 "	2606 × 1629	465	437	399	591
122 "	2628 × 1642	472	444	402	594
123 "	2649 × 1656	479	451	405	598
124 "	2671 × 1669	486	457	409	601
125 "	2692 × 1683	492	464	412	604
126 "	2714 × 1696	499	471	415	607
127 "	2735 × 1710	506	478	418	611
128 "	2757 × 1723	513	485	422	614
129 "	2779 × 1737	520	491	425	617
130 "	2800 × 1750	526	498	428	620
131 "	2822 × 1764	533	505	431	623
132 "	2843 × 1777	540	512	434	627

16:6 projected image

[Unit: mm]

	S	a	b	c1	d1	c2	d2
66 "	1570 × 589	87	146	368	560	221	413
67 "	1593 × 598	94	153	373	565	224	416
68 "	1617 × 606	101	160	379	571	227	419
69 "	1641 × 615	108	166	384	576	230	422
70 "	1665 × 624	114	173	390	582	233	426
71 "	1689 × 633	121	180	395	587	237	429
72 "	1712 × 642	128	187	400	593	240	432
73 "	1736 × 651	135	194	406	598	243	435
74 "	1760 × 660	141	200	411	603	246	438
75 "	1784 × 669	148	207	417	609	249	442
76 "	1807 × 678	155	214	422	614	253	445
77 "	1831 × 687	162	221	428	620	256	448
78 "	1855 × 696	169	227	433	625	259	451
79 "	1879 × 705	175	234	438	631	262	454
80 "	1903 × 713	182	241	444	636	265	458
81 "	1926 × 722	189	248	449	641	269	461
82 "	1950 × 731	196	255	455	647	272	464
83 "	1974 × 740	202	261	460	652	275	467
84 "	1998 × 749	209	268	466	658	278	470
85 "	2022 × 758	216	275	471	663	281	474
86 "	2045 × 767	223	282	476	669	285	477
87 "	2069 × 776	230	288	482	674	288	480
88 "	2093 × 785	236	295	487	679	291	483
89 "	2117 × 794	243	302	493	685	294	486
90 "	2140 × 803	250	309	498	690	297	490

	S	a	b	c1	d1	c2	d2
91 "	2164 × 812	257	229	504	696	301	493
92 "	2188 × 821	263	235	509	701	304	496
93 "	2212 × 829	270	242	514	707	307	499
94 "	2236 × 838	277	249	520	712	310	502
95 "	2259 × 847	284	256	525	717	313	506
96 "	2283 × 856	291	262	531	723	317	509
97 "	2307 × 865	297	269	536	728	320	512
98 "	2331 × 874	304	276	542	734	323	515
99 "	2354 × 883	311	283	547	739	326	518
100 "	2378 × 892	318	289	552	745	329	522
101 "	2402 × 901	324	296	558	750	333	525
102 "	2426 × 910	331	303	563	755	336	528
103 "	2450 × 919	338	310	569	761	339	531
104 "	2473 × 928	345	317	574	766	342	534
105 "	2497 × 936	352	323	580	772	345	538
106 "	2521 × 945	358	330	585	777	349	541
107 "	2545 × 954	365	337	590	783	352	544
108 "	2569 × 963	372	344	596	788	355	547
109 "	2592 × 972	379	350	601	793	358	550
110 "	2616 × 981	385	357	607	799	361	554

	S	a	b	c1	d1	c2	d2
111 "	2640 × 990	392	364	612	804	365	557
112 "	2664 × 999	399	371	618	810	368	560
113 "	2687 × 1008	406	378	623	815	371	563
114 "	2711 × 1017	412	384	628	821	374	566
115 "	2735 × 1026	419	391	634	826	377	570
116 "	2759 × 1035	426	398	639	831	381	573
117 "	2783 × 1043	433	405	645	837	384	576
118 "	2806 × 1052	440	411	650	842	387	579
119 "	2830 × 1061	446	418	656	848	390	582
120 "	2854 × 1070	453	425	661	853	393	586
121 "	2878 × 1079	460	432	666	859	397	589
122 "	2901 × 1088	467	439	672	864	400	592
123 "	2925 × 1097	473	445	677	869	403	595
124 "	2949 × 1106	480	452	683	875	406	598
125 "	2973 × 1115	487	459	688	880	409	602
126 "	2997 × 1124	494	466	693	886	413	605
127 "	3020 × 1133	501	472	699	891	416	608
128 "	3044 × 1142	507	479	704	897	419	611
129 "	3068 × 1150	514	486	710	902	422	614
130 "	3092 × 1159	521	493	715	907	425	618
131 "	3116 × 1168	528	500	721	913	429	621
132 "	3139 × 1177	534	506	726	918	432	624
133 "	3163 × 1186	541	513	731	924	435	627


21:9 projected image

[Unit: mm]

	S	a	b	c1	d1	c2	d2
68 "	1617 × 606	92	151	329	522	267	459
69 "	1641 × 615	99	158	334	526	270	463
70 "	1665 × 624	106	165	339	531	274	466
71 "	1689 × 633	112	171	344	536	278	470
72 "	1712 × 642	119	178	348	540	282	474
73 "	1736 × 651	126	184	353	545	285	478
74 "	1760 × 660	132	191	358	550	289	481
75 "	1784 × 669	139	198	362	555	293	485
76 "	1807 × 678	146	204	367	559	297	489
77 "	1831 × 687	152	211	372	564	301	493
78 "	1855 × 696	159	218	376	569	304	497
79 "	1879 × 705	166	224	381	573	308	500
80 "	1903 × 713	172	231	386	578	312	504
81 "	1926 × 722	179	238	391	583	316	508
82 "	1950 × 731	185	244	395	587	319	512
83 "	1974 × 740	192	251	400	592	323	515
84 "	1998 × 749	199	258	405	597	327	519
85 "	2022 × 758	205	264	409	602	331	523
86 "	2045 × 767	212	271	414	606	335	527
87 "	2069 × 776	219	278	419	611	338	531
88 "	2093 × 785	225	284	423	616	342	534
89 "	2117 × 794	232	291	428	620	346	538
90 "	2140 × 803	239	298	433	625	350	542

	S	a	b	c1	d1	c2	d2
91 "	2164 × 812	245	217	438	630	353	546
92 "	2188 × 821	252	224	442	634	357	549
93 "	2212 × 829	259	230	447	639	361	553
94 "	2236 × 838	265	237	452	644	365	557
95 "	2259 × 847	272	244	456	649	369	561
96 "	2283 × 856	279	250	461	653	372	565
97 "	2307 × 865	285	257	466	658	376	568
98 "	2331 × 874	292	264	470	663	380	572
99 "	2354 × 883	299	270	475	667	384	576
100 "	2378 × 892	305	277	480	672	387	580
101 "	2402 × 901	312	284	485	677	391	583
102 "	2426 × 910	319	290	489	681	395	587
103 "	2450 × 919	325	297	494	686	399	591
104 "	2473 × 928	332	304	499	691	403	595
105 "	2497 × 936	338	310	503	696	406	599
106 "	2521 × 945	345	317	508	700	410	602
107 "	2545 × 954	352	324	513	705	414	606
108 "	2569 × 963	358	330	518	710	418	610
109 "	2592 × 972	365	337	522	714	421	614
110 "	2616 × 981	372	344	527	719	425	617

	S	a	b	c1	d1	c2	d2
111 "	2640 × 990	378	350	532	724	429	621
112 "	2664 × 999	385	357	536	729	433	625
113 "	2687 × 1008	392	364	541	733	437	629
114 "	2711 × 1017	398	370	546	738	440	633
115 "	2735 × 1026	405	377	550	743	444	636
116 "	2759 × 1035	412	383	555	747	448	640
117 "	2783 × 1043	418	390	560	752	452	644
118 "	2806 × 1052	425	397	565	757	455	648
119 "	2830 × 1061	432	403	569	761	459	651
120 "	2854 × 1070	438	410	574	766	463	655
121 "	2878 × 1079	445	417	579	771	467	659
122 "	2901 × 1088	452	423	583	776	471	663
123 "	2925 × 1097	458	430	588	780	474	667
124 "	2949 × 1106	465	437	593	785	478	670
125 "	2973 × 1115	471	443	597	790	482	674
126 "	2997 × 1124	478	450	602	794	486	678
127 "	3020 × 1133	485	457	607	799	489	682
128 "	3044 × 1142	491	463	612	804	493	685
129 "	3068 × 1150	498	470	616	808	497	689
130 "	3092 × 1159	505	477	621	813	501	693
131 "	3116 × 1168	511	483	626	818	505	697
132 "	3139 × 1177	518	490	630	823	508	701
133 "	3163 × 1186	525	497	635	827	512	704
134 "	3128 × 1341	531	503	640	832	516	708
135 "	3152 × 1351	538	510	644	837	520	712
136 "	3175 × 1361	545	516	649	841	524	716

 EB-760W

16:10 projected image

[Unit: mm]

	S	a	b	c	d
69 "	1486 × 929	92	150	203	395
70 "	1508 × 942	98	157	206	398
71 "	1529 × 956	105	164	209	401
72 "	1551 × 969	111	170	212	404
73 "	1572 × 983	118	177	214	407
74 "	1594 × 996	124	183	217	409
75 "	1615 × 1010	131	190	220	412
76 "	1637 × 1023	137	196	223	415
77 "	1659 × 1037	144	203	226	418
78 "	1680 × 1050	150	209	228	421
79 "	1702 × 1063	157	216	231	423
80 "	1723 × 1077	163	222	234	426
81 "	1745 × 1090	170	229	237	429
82 "	1766 × 1104	177	235	240	432
83 "	1788 × 1117	183	242	242	435
84 "	1809 × 1131	190	248	245	437
85 "	1831 × 1144	196	255	248	440
86 "	1852 × 1158	203	262	251	443
87 "	1874 × 1171	209	268	254	446
88 "	1895 × 1185	216	275	256	449
89 "	1917 × 1198	222	281	259	451
90 "	1939 × 1212	229	201	262	454
91 "	1960 × 1225	235	207	265	457
92 "	1982 × 1239	242	214	268	460
93 "	2003 × 1252	248	220	271	463
94 "	2025 × 1265	255	227	273	466
95 "	2046 × 1279	262	233	276	468
96 "	2068 × 1292	268	240	279	471
97 "	2089 × 1306	275	246	282	474
98 "	2111 × 1319	281	253	285	477
99 "	2132 × 1333	288	259	287	480
100 "	2154 × 1346	294	266	290	482

	S	a	b	c	d
101 "	2175 × 1360	301	273	293	485
102 "	2197 × 1373	307	279	296	488
103 "	2219 × 1387	314	286	299	491
104 "	2240 × 1400	320	292	301	494
105 "	2262 × 1414	327	299	304	496
106 "	2283 × 1427	333	305	307	499
107 "	2305 × 1440	340	312	310	502
108 "	2326 × 1454	346	318	313	505
109 "	2348 × 1467	353	325	315	508
110 "	2369 × 1481	360	331	318	510
111 "	2391 × 1494	366	338	321	513
112 "	2412 × 1508	373	344	324	516
113 "	2434 × 1521	379	351	327	519
114 "	2455 × 1535	386	358	329	522
115 "	2477 × 1548	392	364	332	524
116 "	2499 × 1562	399	371	335	527
117 "	2520 × 1575	405	377	338	530
118 "	2542 × 1589	412	384	341	533
119 "	2563 × 1602	418	390	343	536
120 "	2585 × 1615	425	397	346	538

	S	a	b	c	d
121 "	2606 × 1629	431	403	349	541
122 "	2628 × 1642	438	410	352	544
123 "	2649 × 1656	444	416	355	547
124 "	2671 × 1669	451	423	357	550
125 "	2692 × 1683	458	429	360	552
126 "	2714 × 1696	464	436	363	555
127 "	2735 × 1710	471	442	366	558
128 "	2757 × 1723	477	449	369	561
129 "	2779 × 1737	484	456	371	564
130 "	2800 × 1750	490	462	374	566
131 "	2822 × 1764	497	469	377	569
132 "	2843 × 1777	503	475	380	572
133 "	2865 × 1790	510	482	383	575
134 "	2886 × 1804	516	488	386	578
135 "	2908 × 1817	523	495	388	581
136 "	2929 × 1831	529	501	391	583
137 "	2951 × 1844	536	508	394	586
138 "	2972 × 1858	543	514	397	589

4:3 projected image

[Unit: mm]

	S	a	b	c	d
61 "	1240 × 930	92	151	203	396
62 "	1260 × 945	99	158	207	399
63 "	1280 × 960	107	166	210	402
64 "	1300 × 975	114	173	213	405
65 "	1321 × 991	122	180	216	408
66 "	1341 × 1006	129	188	219	411
67 "	1361 × 1021	136	195	222	415
68 "	1382 × 1036	144	203	226	418
69 "	1402 × 1052	151	210	229	421
70 "	1422 × 1067	159	217	232	424
71 "	1443 × 1082	166	225	235	427
72 "	1463 × 1097	173	232	238	430
73 "	1483 × 1113	181	240	241	434
74 "	1504 × 1128	188	247	245	437
75 "	1524 × 1143	196	254	248	440
76 "	1544 × 1158	203	262	251	443
77 "	1565 × 1173	210	269	254	446
78 "	1585 × 1189	218	277	257	450
79 "	1605 × 1204	225	284	261	453
80 "	1626 × 1219	233	291	264	456

	S	a	b	c	d
81 "	1646 × 1234	240	299	267	459
82 "	1666 × 1250	247	306	270	462
83 "	1687 × 1265	255	314	273	465
84 "	1707 × 1280	262	321	276	469
85 "	1727 × 1295	270	328	280	472
86 "	1748 × 1311	277	336	283	475
87 "	1768 × 1326	284	343	286	478
88 "	1788 × 1341	292	351	289	481
89 "	1808 × 1356	299	358	292	484
90 "	1829 × 1372	307	278	295	488
91 "	1849 × 1387	314	286	299	491
92 "	1869 × 1402	321	293	302	494
93 "	1890 × 1417	329	301	305	497
94 "	1910 × 1433	336	308	308	500
95 "	1930 × 1448	344	315	311	504
96 "	1951 × 1463	351	323	314	507
97 "	1971 × 1478	358	330	318	510
98 "	1991 × 1494	366	338	321	513
99 "	2012 × 1509	373	345	324	516
100 "	2032 × 1524	380	352	327	519

	S	a	b	c	d
101 "	2052 × 1539	388	360	330	523
102 "	2073 × 1554	395	367	334	526
103 "	2093 × 1570	403	375	337	529
104 "	2113 × 1585	410	382	340	532
105 "	2134 × 1600	417	389	343	535
106 "	2154 × 1615	425	397	346	538
107 "	2174 × 1631	432	404	349	542
108 "	2195 × 1646	440	412	353	545
109 "	2215 × 1661	447	419	356	548
110 "	2235 × 1676	454	426	359	551
111 "	2256 × 1692	462	434	362	554
112 "	2276 × 1707	469	441	365	557
113 "	2296 × 1722	477	449	368	561
114 "	2316 × 1737	484	456	372	564
115 "	2337 × 1753	491	463	375	567
116 "	2357 × 1768	499	471	378	570
117 "	2377 × 1783	506	478	381	573
118 "	2398 × 1798	514	486	384	577
119 "	2418 × 1814	521	493	388	580
120 "	2438 × 1829	528	500	391	583
121 "	2459 × 1844	536	508	394	586
122 "	2479 × 1859	543	515	397	589

16:9 projected image

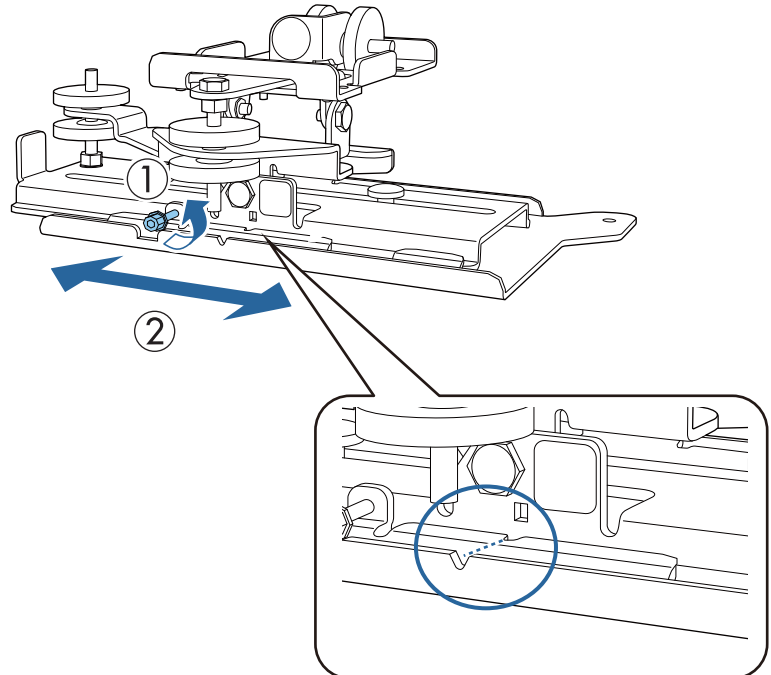
[Unit: mm]

	S	a	b	c	d
67 "	1483 × 834	91	150	249	441
68 "	1505 × 847	97	156	253	445
69 "	1528 × 859	104	163	256	448
70 "	1550 × 872	111	170	260	452
71 "	1572 × 884	118	176	263	456
72 "	1594 × 897	124	183	267	459
73 "	1616 × 909	131	190	271	463
74 "	1638 × 921	138	197	274	466
75 "	1660 × 934	144	203	278	470
76 "	1682 × 946	151	210	281	474
77 "	1705 × 959	158	217	285	477
78 "	1727 × 971	165	223	288	481
79 "	1749 × 984	171	230	292	484
80 "	1771 × 996	178	237	296	488
81 "	1793 × 1009	185	244	299	491
82 "	1815 × 1021	191	250	303	495
83 "	1837 × 1034	198	257	306	499
84 "	1860 × 1046	205	264	310	502
85 "	1882 × 1058	212	270	313	506
86 "	1904 × 1071	218	277	317	509
87 "	1926 × 1083	225	284	321	513
88 "	1948 × 1096	232	291	324	516
89 "	1970 × 1108	238	297	328	520
90 "	1992 × 1121	245	217	331	524
91 "	2015 × 1133	252	224	335	527
92 "	2037 × 1146	259	230	339	531
93 "	2059 × 1158	265	237	342	534
94 "	2081 × 1171	272	244	346	538
95 "	2103 × 1183	279	251	349	541
96 "	2125 × 1195	285	257	353	545
97 "	2147 × 1208	292	264	356	549
98 "	2170 × 1220	299	271	360	552
99 "	2192 × 1233	306	277	364	556
100 "	2214 × 1245	312	284	367	559

	S	a	b	c	d
101 "	2236 × 1258	319	291	371	563
102 "	2258 × 1270	326	298	374	566
103 "	2280 × 1283	333	304	378	570
104 "	2302 × 1295	339	311	381	574
105 "	2324 × 1308	346	318	385	577
106 "	2347 × 1320	353	325	389	581
107 "	2369 × 1332	359	331	392	584
108 "	2391 × 1345	366	338	396	588
109 "	2413 × 1357	373	345	399	591
110 "	2435 × 1370	380	351	403	595
111 "	2457 × 1382	386	358	406	599
112 "	2479 × 1395	393	365	410	602
113 "	2502 × 1407	400	372	414	606
114 "	2524 × 1420	406	378	417	609
115 "	2546 × 1432	413	385	421	613
116 "	2568 × 1445	420	392	424	617
117 "	2590 × 1457	427	398	428	620
118 "	2612 × 1469	433	405	431	624
119 "	2634 × 1482	440	412	435	627
120 "	2657 × 1494	447	419	439	631
121 "	2679 × 1507	453	425	442	634
122 "	2701 × 1519	460	432	446	638
123 "	2723 × 1532	467	439	449	642
124 "	2745 × 1544	474	445	453	645
125 "	2767 × 1557	480	452	456	649
126 "	2789 × 1569	487	459	460	652
127 "	2812 × 1581	494	466	464	656
128 "	2834 × 1594	500	472	467	659
129 "	2856 × 1606	507	479	471	663
130 "	2878 × 1619	514	486	474	667
131 "	2900 × 1631	521	492	478	670
132 "	2922 × 1644	527	499	482	674
133 "	2944 × 1656	534	506	485	677
134 "	2966 × 1669	541	513	489	681

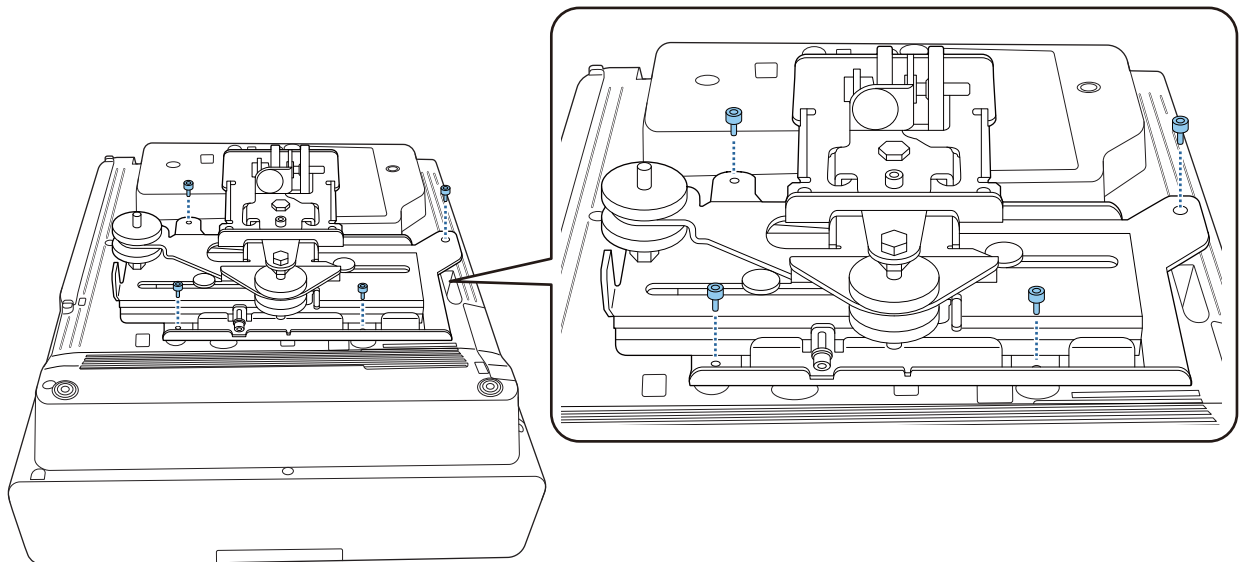
■ Attaching the adjustment unit to the projector

1 Loosen the M4 bolt on the adjustment unit, and then align the marks for each part



When the position is correct, tighten the M4 bolt.

2 Secure the adjustment unit to the base of the projector with the M4 x 12 mm bolts (x4) supplied

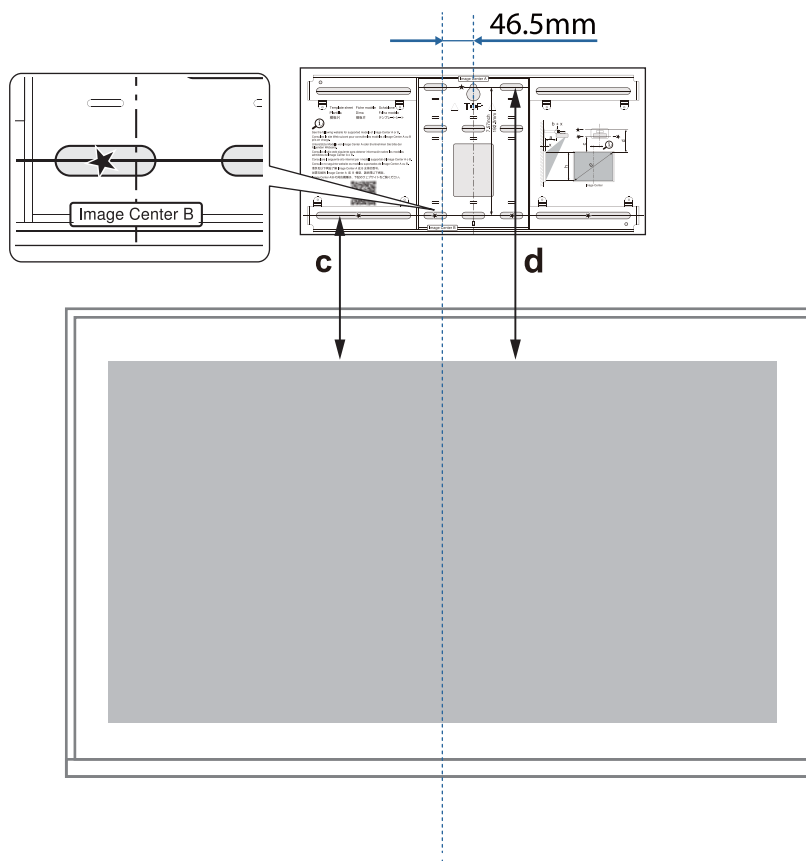


Install the wall plate on the wall

1 Attach the template sheet to the wall

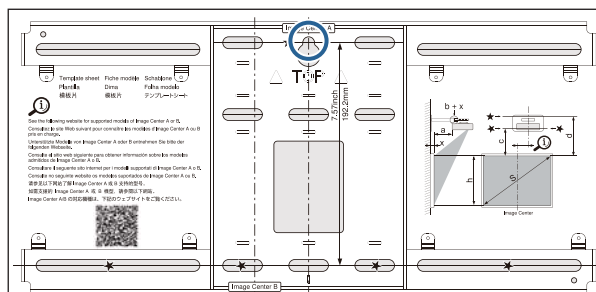
Attach the template sheet according to the installation position that you confirmed using the projection distance table (p.24).

Align the center position of the screen being projected with Image Center B on the Template sheet.



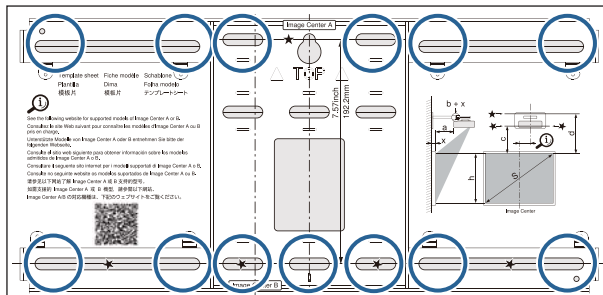
2 Drive a commercially available M10 screw into the position of the temporary screw hole for the wall plate

Leave a gap of 6 mm or more between the wall and the screw head.



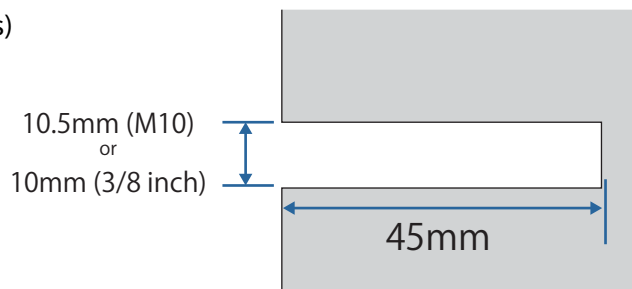
3 Determine the positions for the mounting holes for the wall plate


From the screw holes shown in the figure below, secure at least four points at the top, bottom, left, and right for optimum balance.

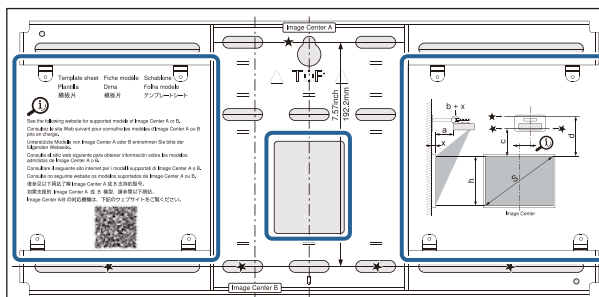


4 Drill the holes in the wall

- Drill diameter: 10.5 mm (M10) or 10 mm (3/8 inches)
- Pilot hole depth: 45 mm
- Anchor hole depth: 40 mm



 When routing cables to the projector through a wall, you can drill holes within the area shown in the figure below and use them as cable routing holes.

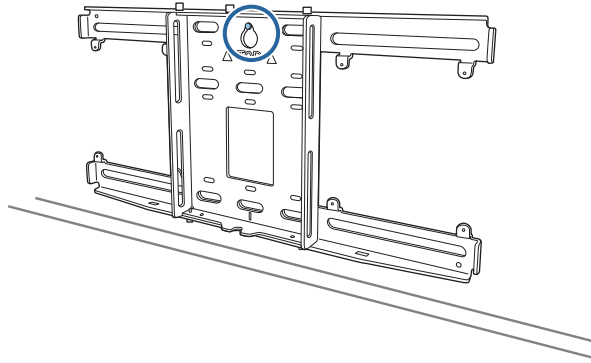


When installing a mini-PC or a stick PC, check the position at which the mini PC plate will be installed before drilling cable routing holes. (p.59)

5 Remove the template sheet

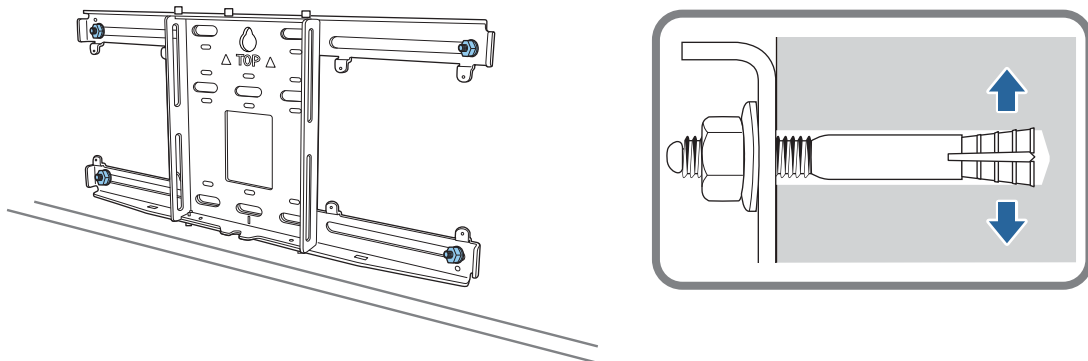
6

Place the wall plate on the temporary M10 screw that you installed in step 2



7

Use commercially available M10 or 3/8 inch x 60 mm anchor bolts to secure the wall plate to the holes you drilled in step 4

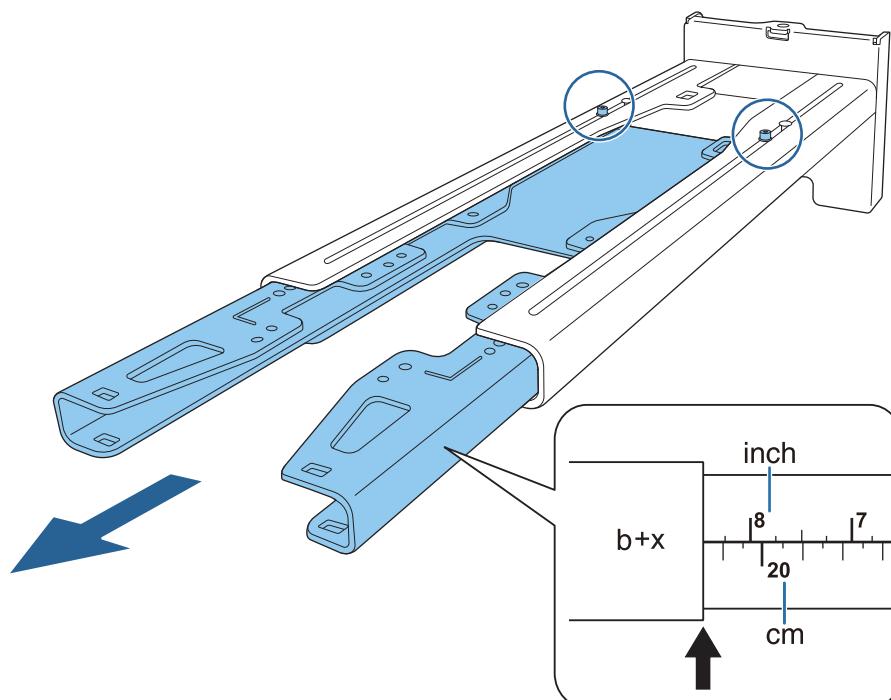


Attaching the setting plate to the wall plate

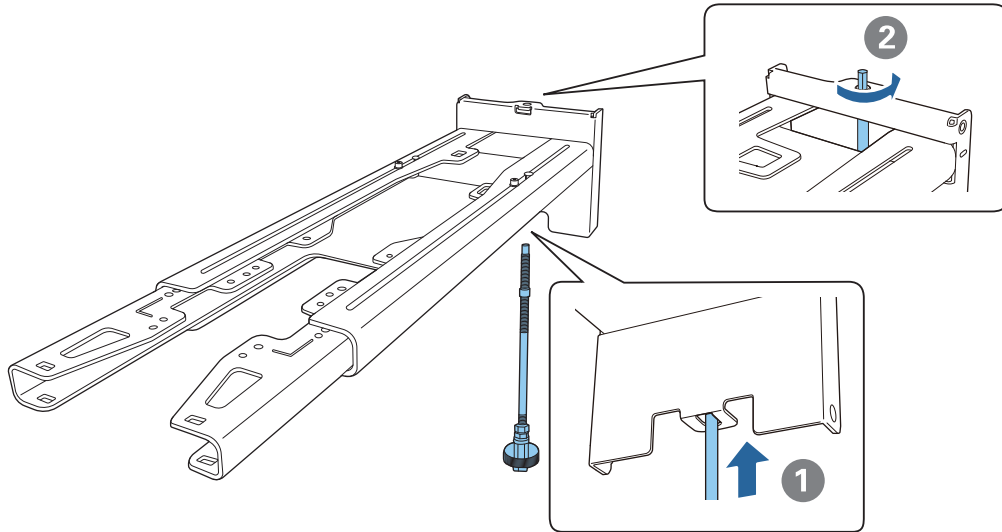
1

Loosen the M4 x 12 mm bolts (x2) and extend the arm slide on the setting plate

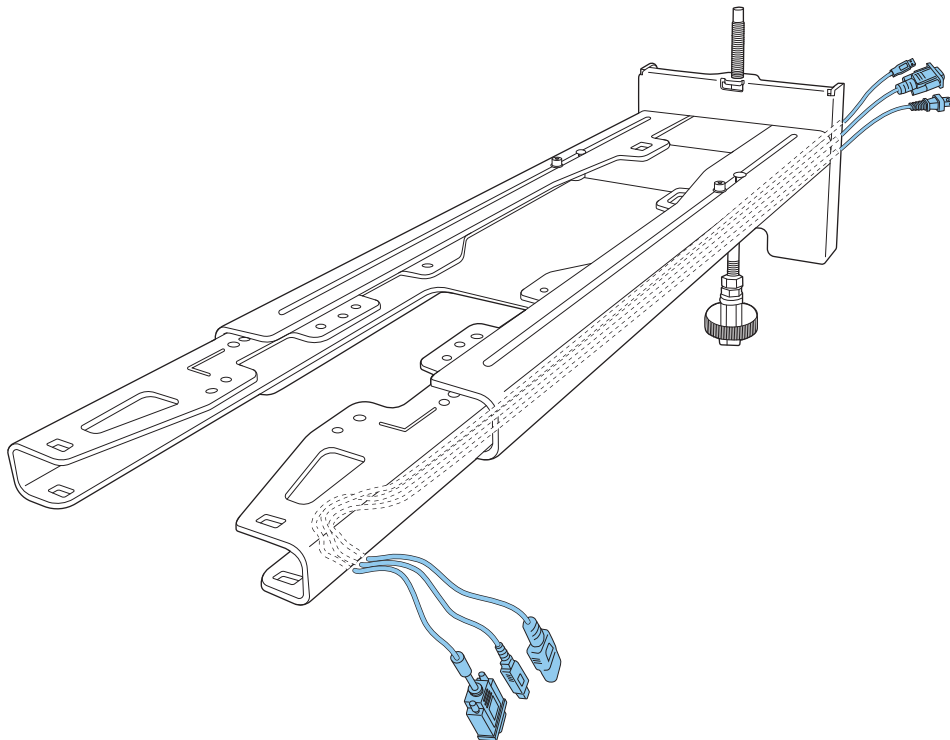
Adjust the scale on the slider to the combined distance of the value for (b) confirmed in the projection distance table (p.24) and the thickness of the projection surface (x).



2 Insert the hexagonal axis into the setting plate



3 Route the necessary cables through the setting plate



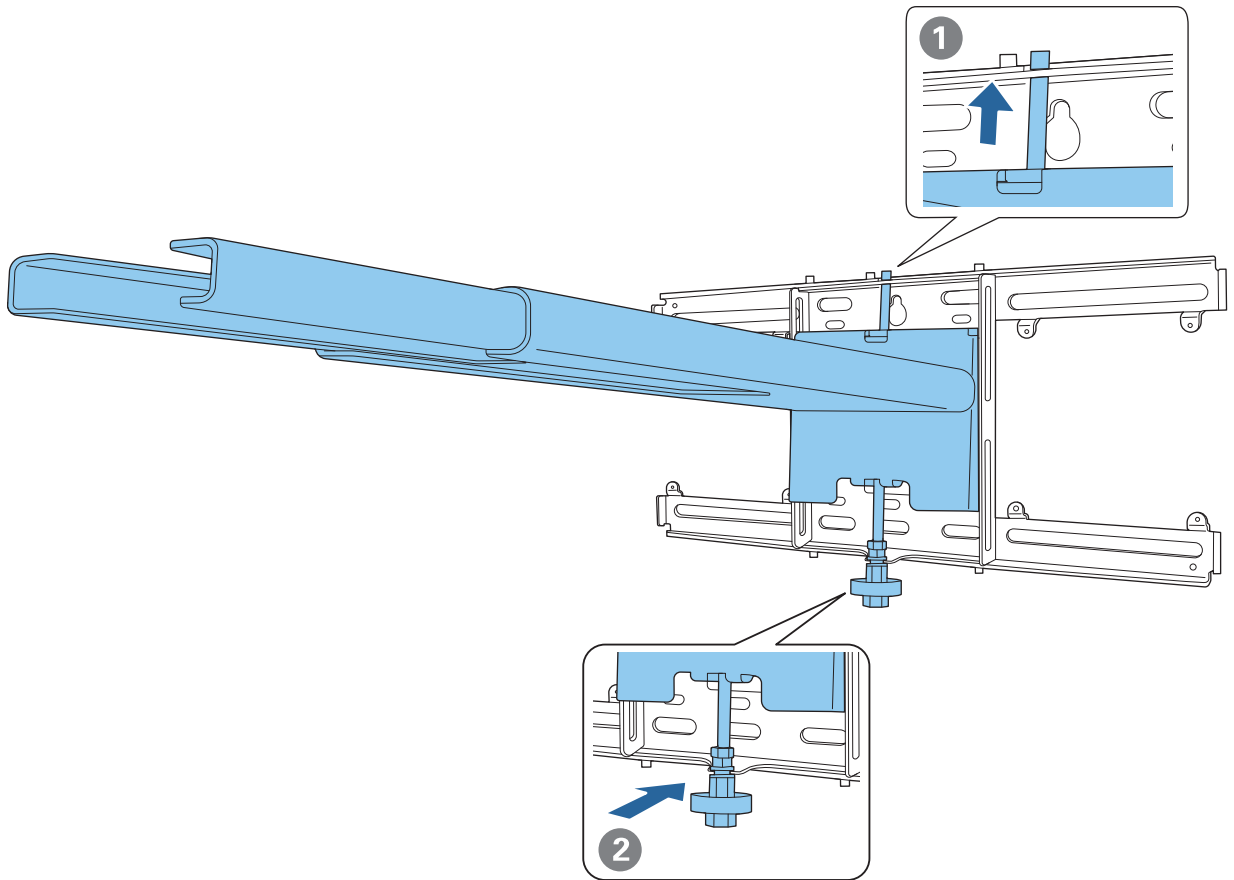
 **Warning**

Do not hang the rest of the cable over the setting plate. They could fall and cause an accident.



Make sure that cable ports for connecting to peripheral devices such as mini PCs are routed so that they come out of the lower part of the setting plate and not through walls.

- 4** Attach the setting plate to the wall plate
Insert the hexagonal axis until the tip extends slightly out of the top of the wall plate and the other end connects to the bottom of the wall plate.



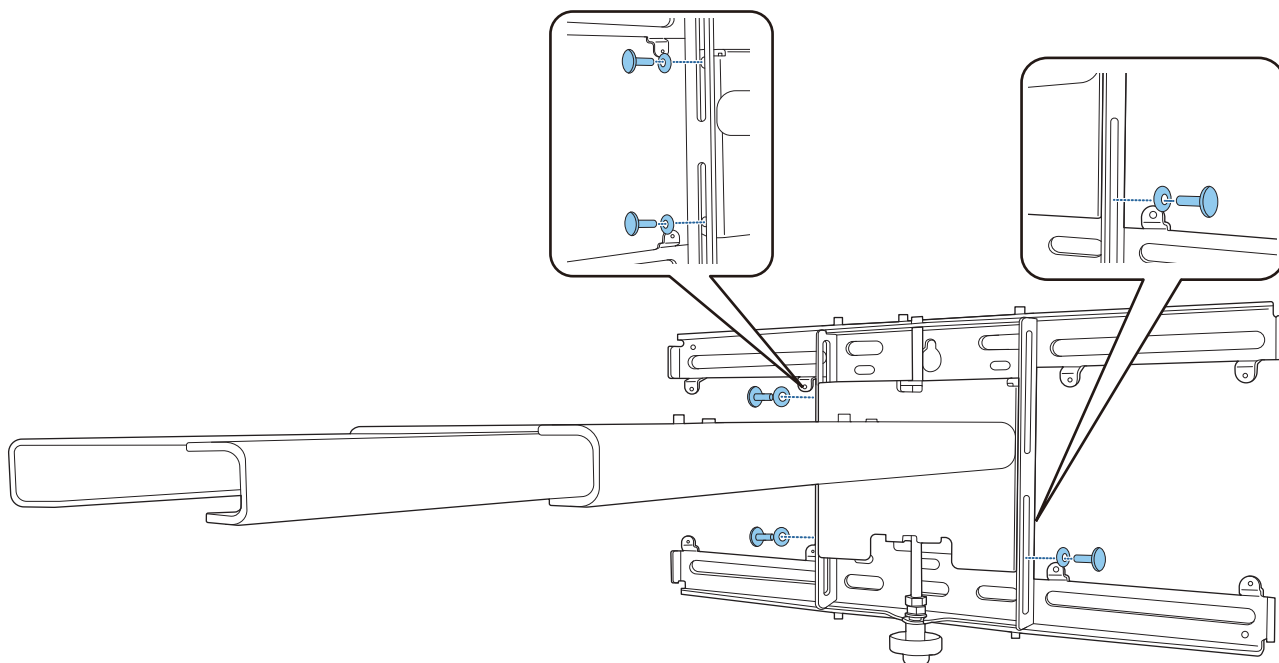
! Caution

Take care not to trap the cables between the setting plate and wall plate.

5

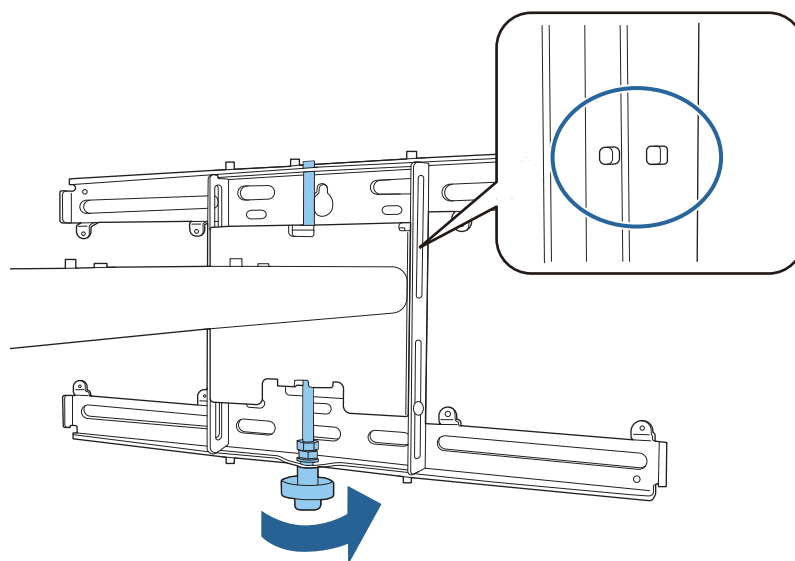
Temporarily secure the setting plate

Secure three points with the M6 screws supplied (x3).



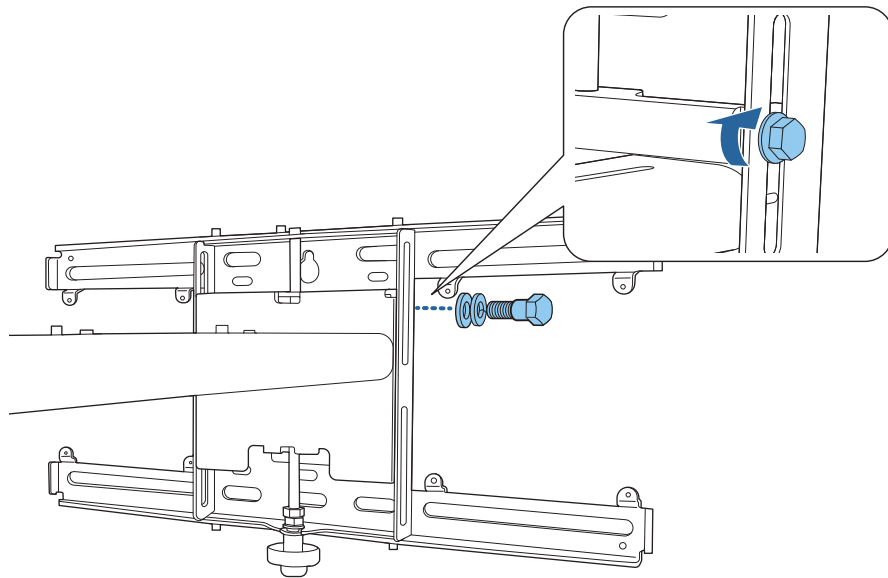
6

Rotate the bottom of the hexagonal axis with a 17 mm ratchet wrench to align the marks on the wall plate and the setting plate



7

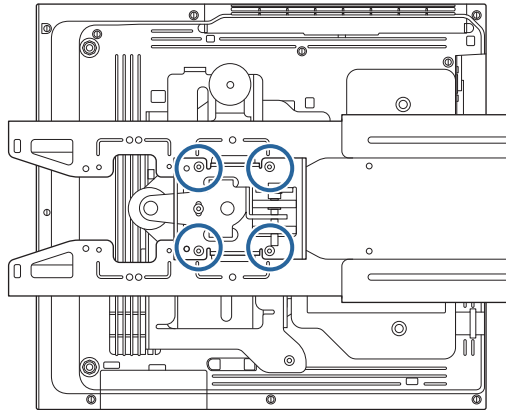
Tighten the M6 bolt (x1) to secure the setting plate in position



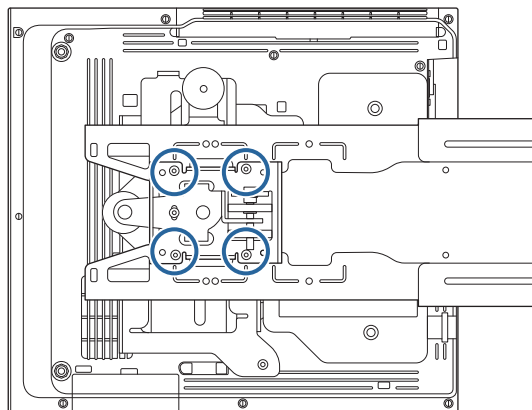
■ Attaching the adjustment unit to the setting plate

1 Check the installation position for the adjustment unit
The installation position is marked on the setting plate. Install at an appropriate position according to the size of the screen you want to project on to.

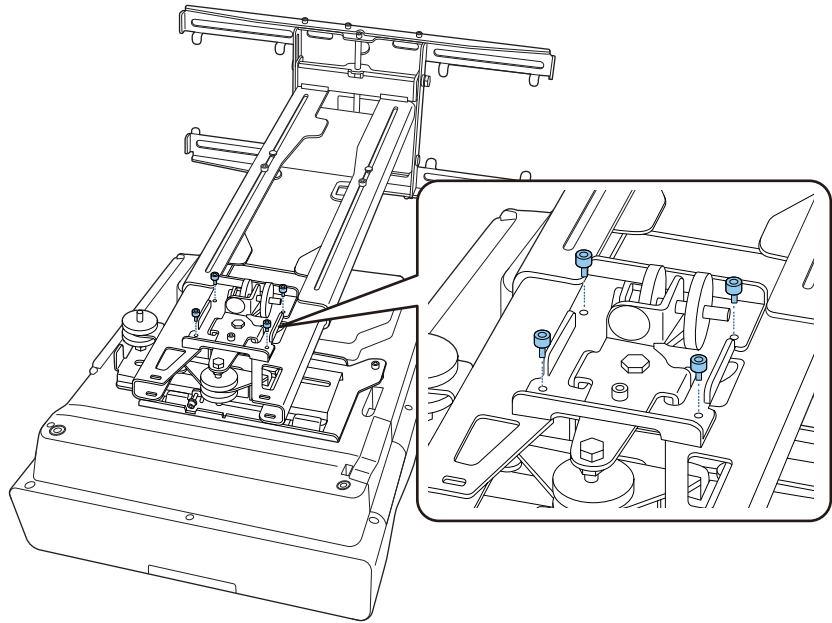
- When a projected image is smaller than 90 inches: Install the unit at the ○ mark.



- When a projected image is 90 inches or more: Install the unit at the ○○ mark.



2 Attach the adjustment unit to the setting plate with the M4 x 12 mm bolts (x4) supplied

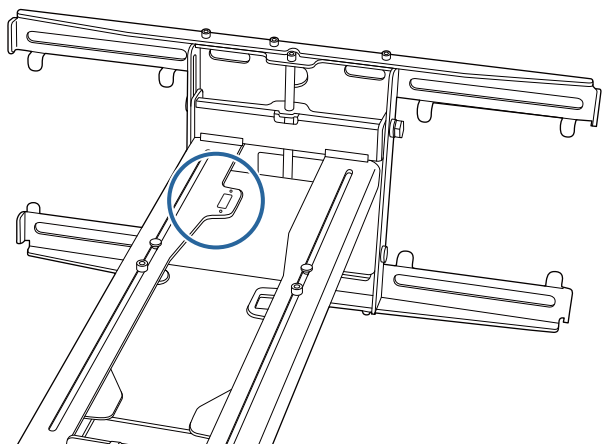


3 Connect the cables to the projector
Connect the power cord last.

■ Attaching peripheral devices

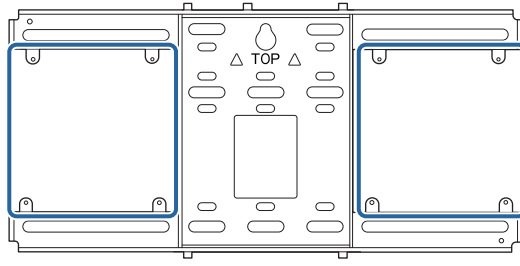
Attaching a switcher or a tuner

Use commercially available M4 screws to secure a switcher or a tuner to the screw holes as shown in the following figure.



Attaching a mini PC or stick PC

Attach the mini PC or stick PC to the mini PC plate, and secure it to the left or right side of the wall plate.



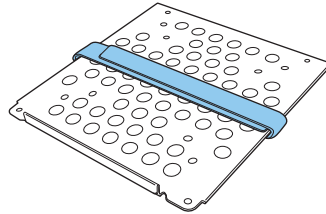
Attach it so that the air exhaust vents of the PC are not blocked.

We recommend installing the PC so that the air exhaust vents are at the top and the air intake vents are at the bottom.

When securing with the mini PC belt

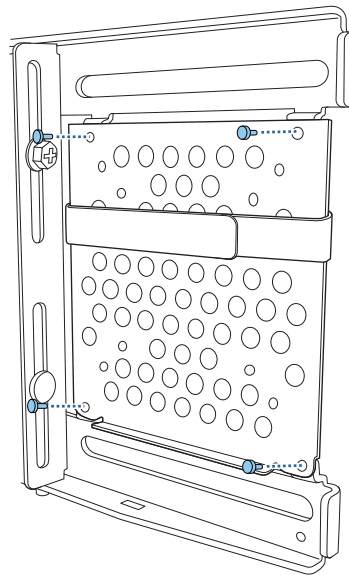
1

Wrap the belt around the mini PC plate



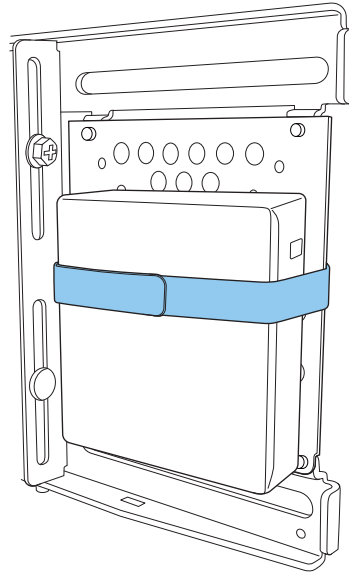
2

Secure the mini PC plate to the wall plate using the M3 x 6 mm screws (x4) supplied.



3

Place the PC on the lower edge of the mini PC plate, and secure it with the belt

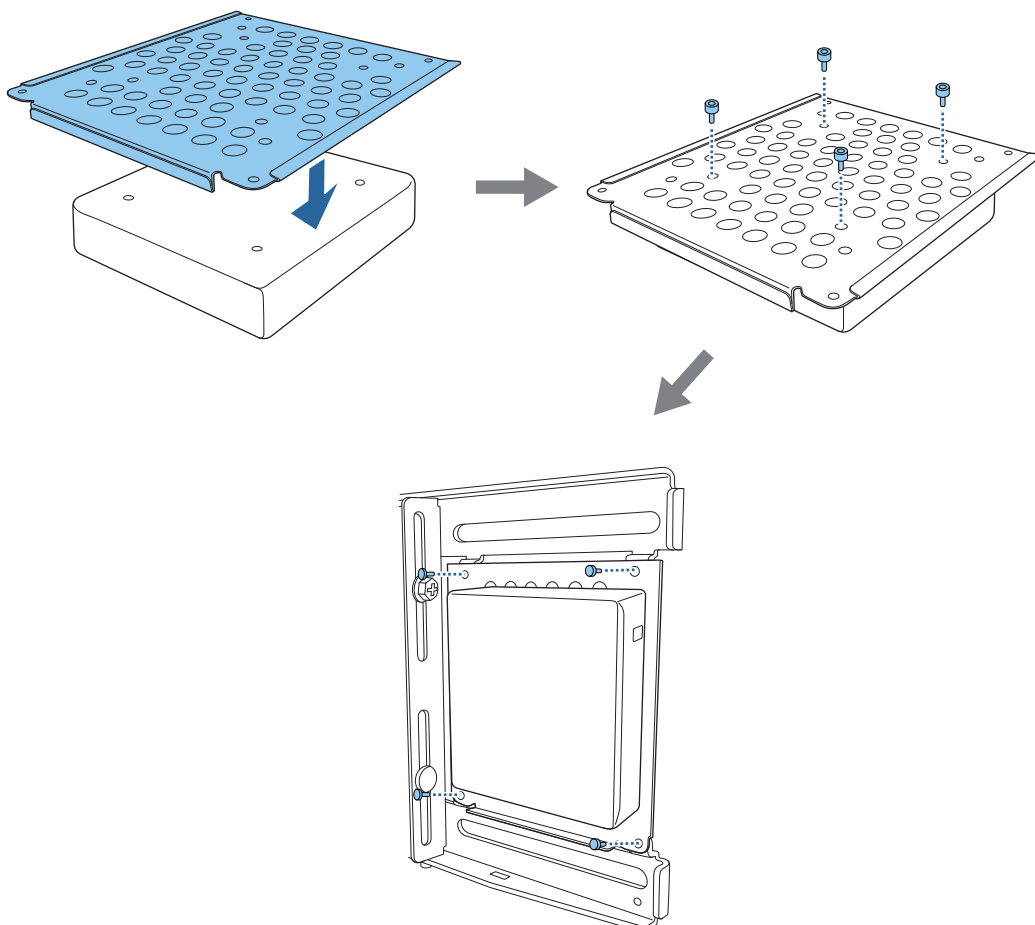


When securing with screws

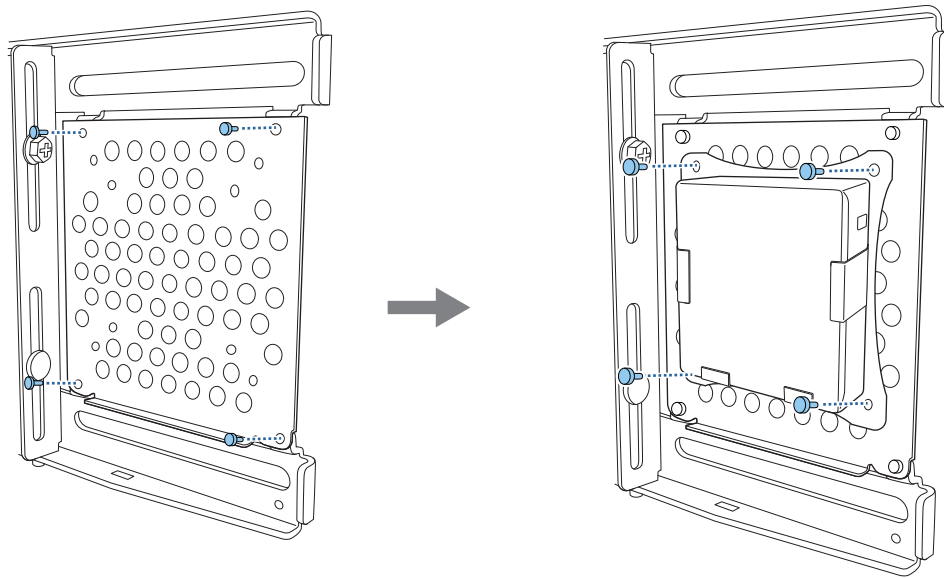
Depending on the shape of the mini PC and the orientation of the screw holes, the order in which parts are installed differs. Be sure to check the installation instructions in advance.

Installation example

- Secure the mini PC plate with the PC installed to the wall plate using the M3 x 6 mm screws (x4) supplied.



- Secure the mini PC plate to the wall plate using the M3 x 6 mm screws (x4) supplied, and then install the PC.



Adjusting the Position of the Projected Image

You can use any of the following methods to adjust the position of the projected image.

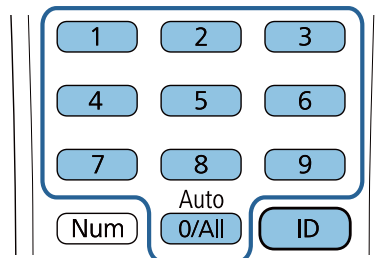


When multiple projectors are installed in the same room, we recommend that you set projector IDs to prevent remote control interference.

Turn on a projector and set the ID number for the projector in **Installation > Projector ID**.

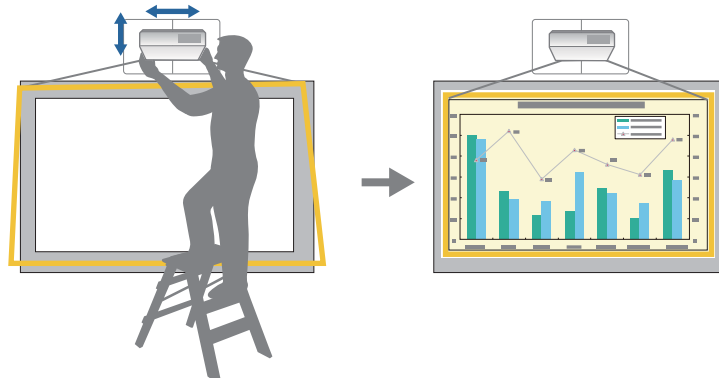
(When using EB-775F/EB-770F, set from **Multi-Projection - Projector ID**.)

When you want to operate a specific projector, hold down the [ID] button on the remote control and press the button with the same number as the projector ID.



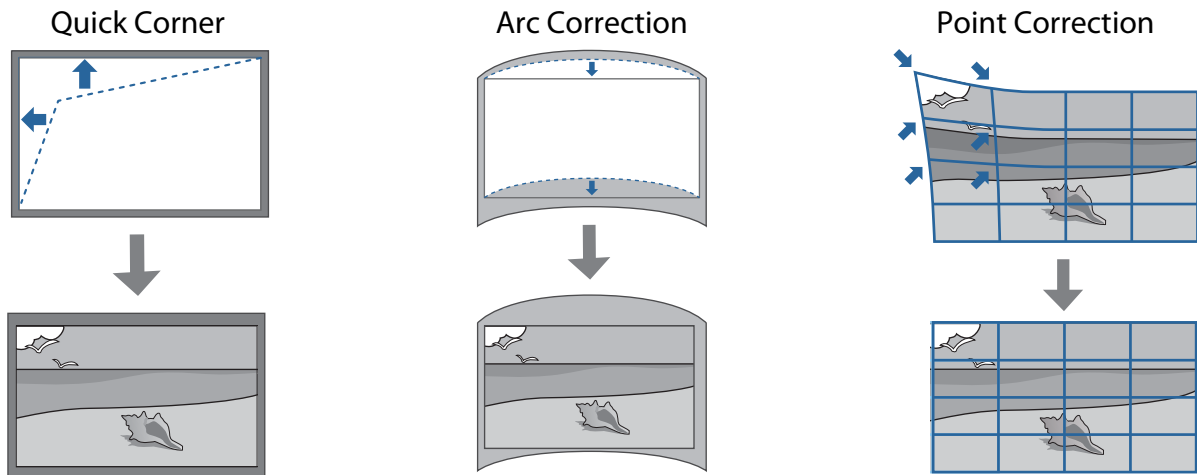
- Adjusting using the Setting Plate Installation Guide ([p.65](#))

Manually adjust the position of the setting plate according to the guide screen displayed. This is useful when you want to perform fine adjustments to the projection position while maintaining the image quality.



- Adjusting using the projector menus ([p.68](#))

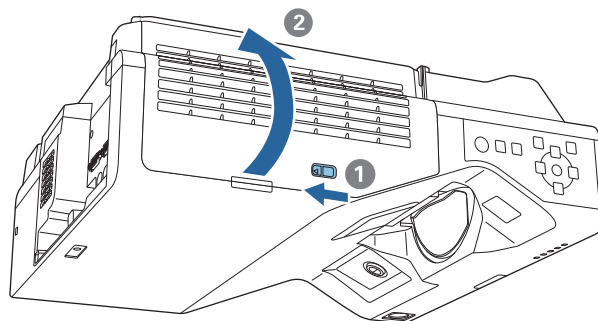
Select the area you want to adjust and manually correct the image. This is useful when you want to make fine adjustments to the projection position after making mechanical adjustments using the guide screen.



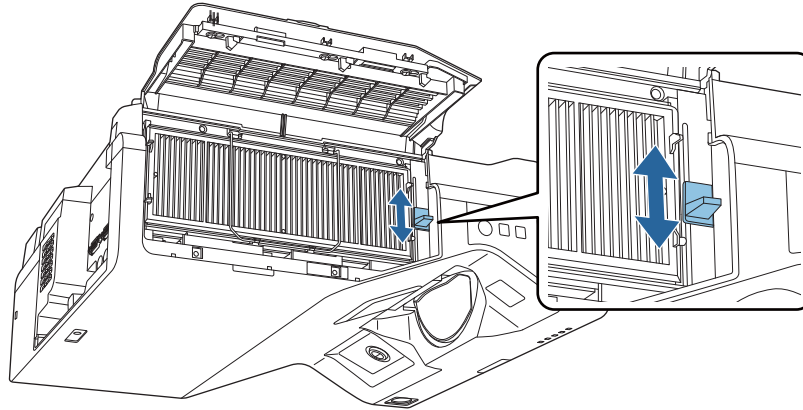
- Images are not stable immediately after turning on the projector. After starting projection, wait for at least 30 minutes before adjusting the image.
- Install and adjust the projector at a room temperature that is close to the actual intended usage environment. If the temperature changes, the position of the image may shift.
- When setting up multiple projectors using the batch setup function, perform the batch setup before adjusting the projected image.
- We recommend the mechanical position adjustment of the setting plate to adjust the image when you want to maintain image quality.

■ Preparations before adjusting

- 1 Press the [⏻] button on the remote control or the control panel to turn on the projector
- 2 Open the air filter cover on the side of the projector

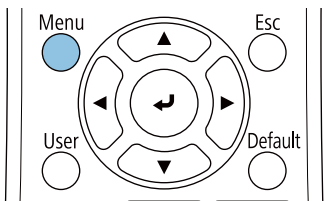


3 Use the focus lever to approximately focus the image

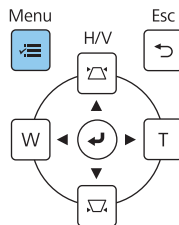


4 Press the [Menu] button

Using the Remote Control



Using the Control Panel




5 Select **Screen Type** from the **Installation** menu to set the aspect ratio of the projected image

Frequently Used Items	Installation	
Image	Fixed Installation	Off
Signal I/O	Test Pattern	
Installation	Setting Plate Installation Guide	
Display	Vertical Installation	No
Operation	Projection	Front/Upside Down
Management	Auto Screen Adjustment	
Network	Geometry Correction	Point Correction
Pen/Touch	Digital Zoom	▼
Interactive	Connect ELPCEB02	Off
Memory	Touch Unit	
ECO	Remote Receiver	Off
Initial/All Settings	Projector ID	Off
	Screen Type	16:9 ▼
	High Altitude Mode	Off
	Reset Installation Settings	
	Display	
	Pattern Display	

6 Change the aspect ratio if necessary

Project images from a connected device, and then press the [Aspect] button on the remote control. Each time you press the button, you see the aspect name on the screen and the aspect ratio changes.

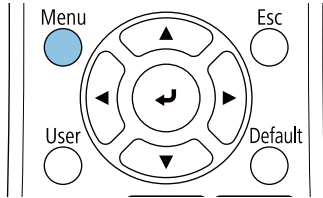
 The aspect ratio does not change when no images are being projected from the connected device.

■ Performing mechanical adjustment using the Setting Plate Installation Guide

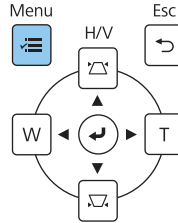
Use the guidance screen to adjust the position of the image.

1 Press the [Menu] button

Using the Remote Control



Using the Control Panel

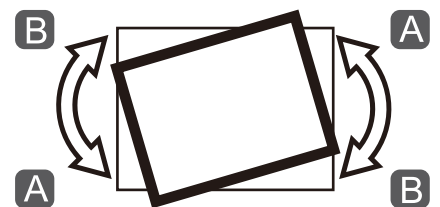
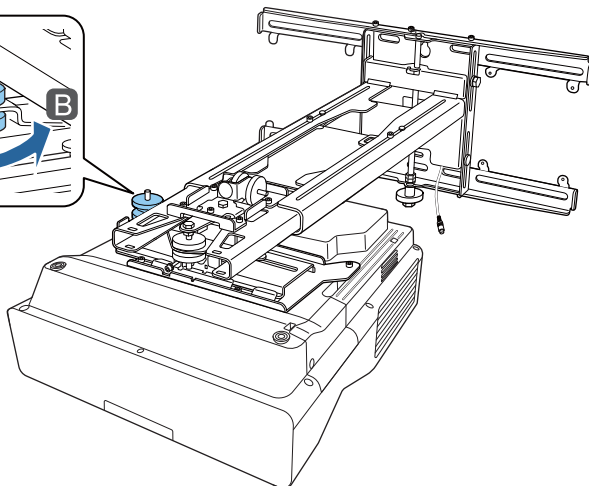
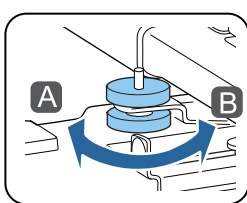


2 Select **Setting Plate Installation Guide** from the **Installation** menu

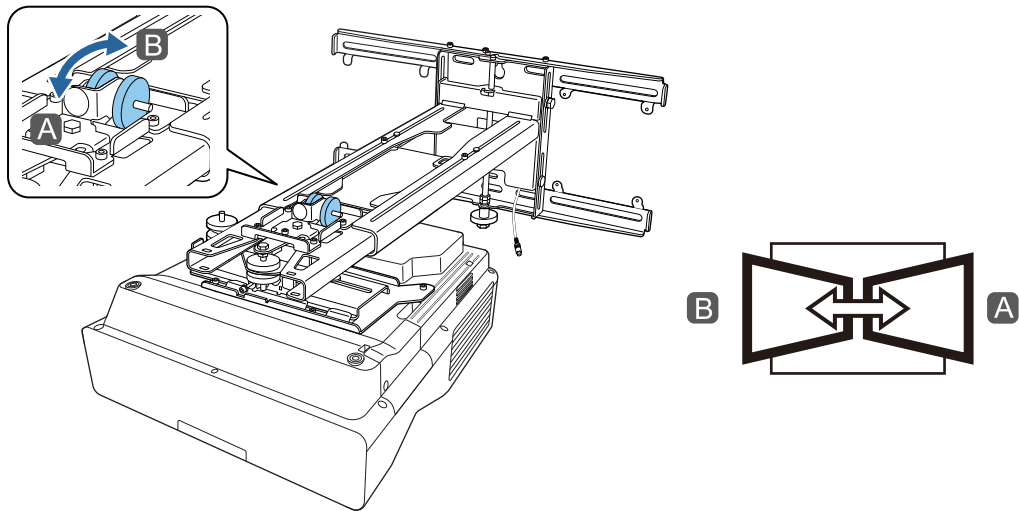
Frequently Used Items	Installation	
Image	Fixed Installation	Off
Signal I/O	Test Pattern	
Installation	Setting Plate Installation Guide	
Display	Vertical Installation	No
Operation	Projection	Front/UpSide Down
Management	Auto Screen Adjustment	
Network	Geometry Correction	Point Correction
Pen/Touch	Digital Zoom	▼
Interactive	Connect ELPCB02	Off
Memory	Touch Unit	
ECO	Remote Receiver	Off
Initial/All Settings	Projector ID	Off
	Screen Type	16:9 ▼
	High Altitude Mode	Off
	Reset Installation Settings	
	Display	
	Pattern Display	

You see the guidance screen.

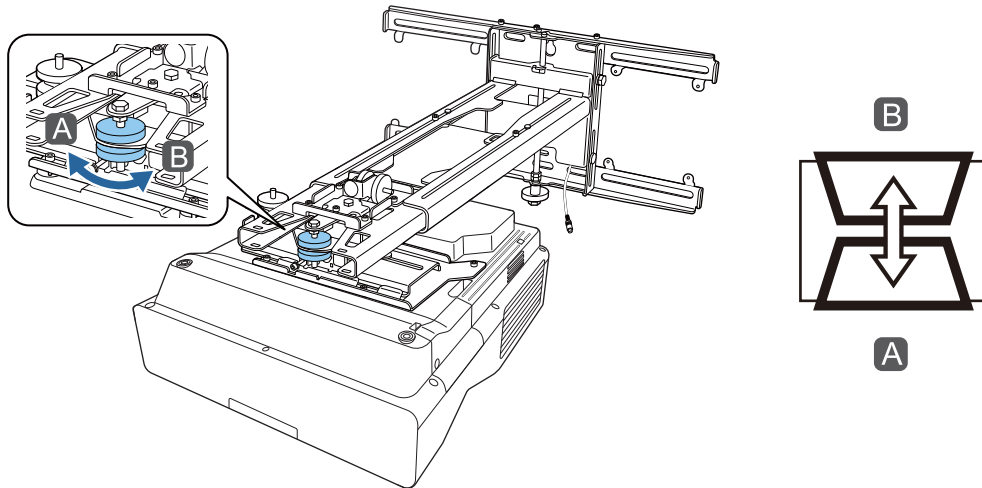
3 Turn the adjustment dial ① in the installation guide to adjust the horizontal roll



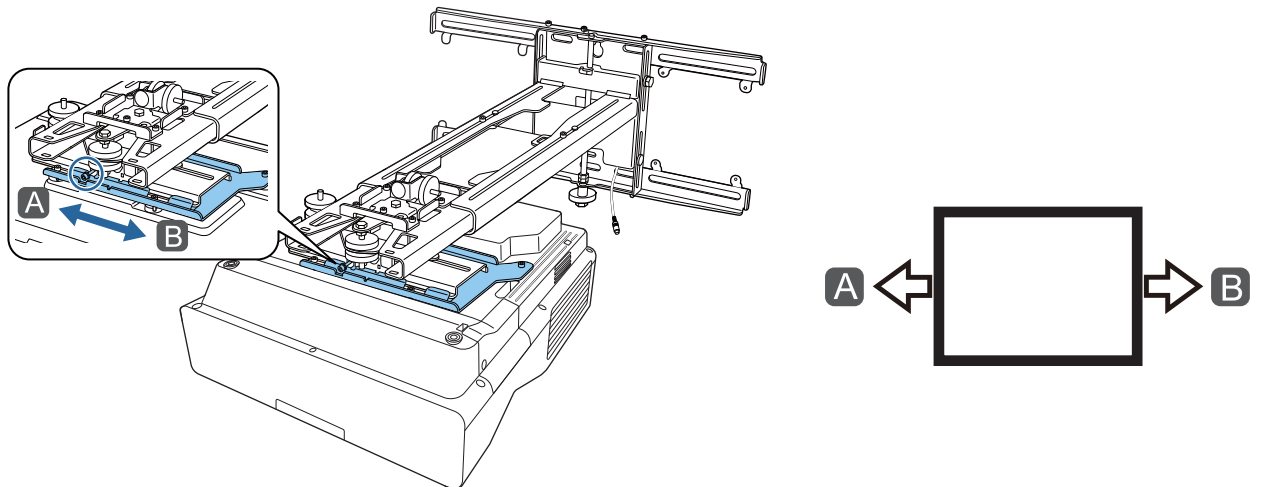
4 Turn the adjustment dial ② in the installation guide to adjust the horizontal rotation



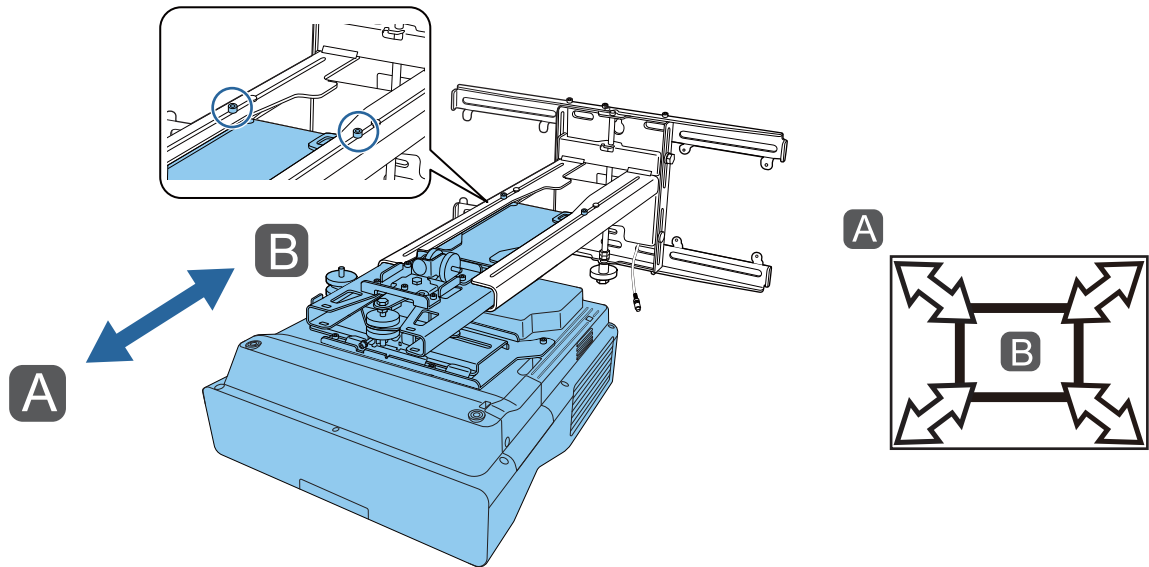
5 Turn the adjustment dial ③ in the installation guide to adjust the vertical tilt



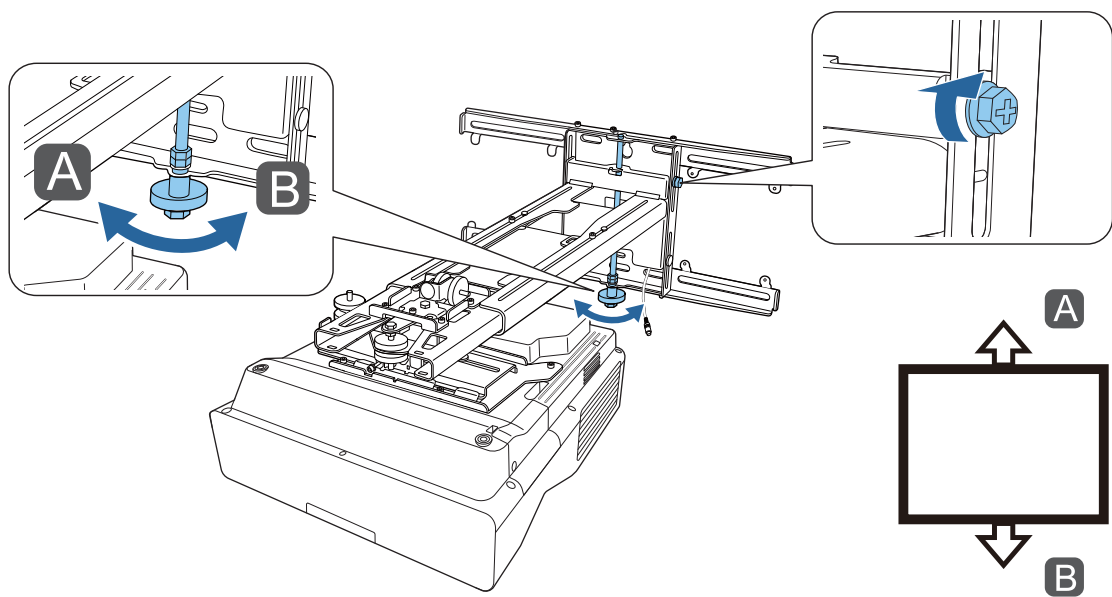
6 Loosen the M4 bolt, and then adjust the horizontal slide




7 Loosen the M4 bolts (x2), and then adjust the forward/backward slide



8 Loosen the M6 bolt, and then adjust the vertical slide



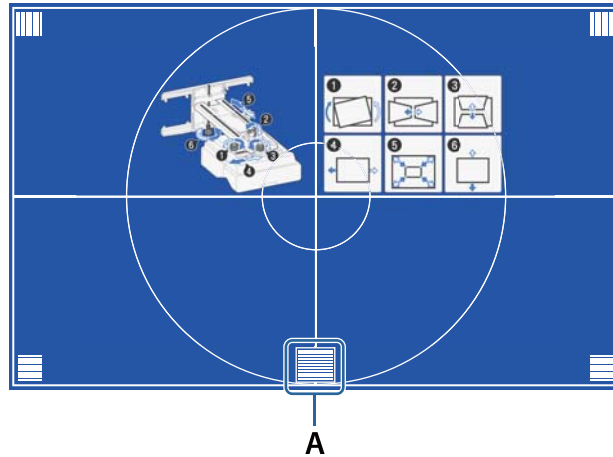
9 Re-tighten the screws and bolts that you loosened in steps 3 to 8

 **Warning**

Tighten all bolts and screws firmly. Otherwise, the product may fall and cause personal injury or property damage.

10

Adjust the focus of position A in the following figure



11

When you have finished making adjustments, press the [Esc] button on the remote control or the control panel to exit the guidance screen

Adjusting using the projector menus



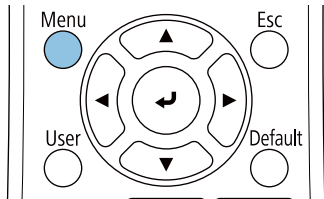
- You can save adjusted values in **Memory** from the **Geometry Correction** menu.
- Before performing the adjustment, set the Screen Type setting first. If you change the Screen Type after making corrections, the corrections will be reset.

Arc Correction

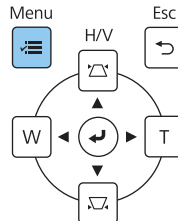
1

Press the [Menu] button

Using the Remote Control



Using the Control Panel



2

Select **Geometry Correction** from the **Installation** menu

Frequently Used Items	Installation
Image	Fixed Installation Off
Signal I/O	Test Pattern
Installation	Setting Plate Installation Guide
Display	Vertical Installation No
Operation	Projection Front/Upside Down
Management	Auto Screen Adjustment
Network	Geometry Correction Point Correction
Pen/Touch	Digital Zoom
Interactive	Connect ELPCB02 Off
Memory	Touch Unit
ECO	Remote Receiver Off
Initial/All Settings	Projector ID Off
	Screen Type 16:9
	High Altitude Mode Off
	Reset Installation Settings
	Display
	Pattern Display

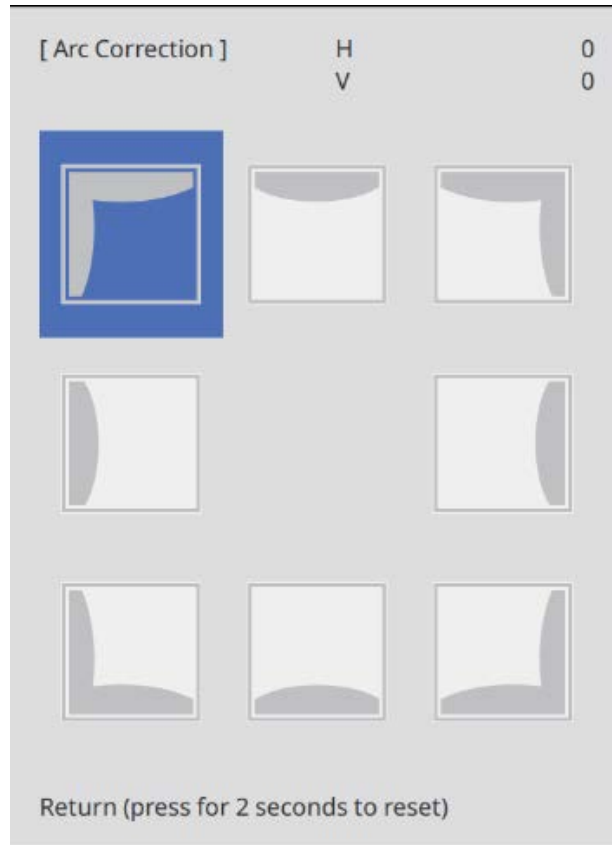
3

Select **Arc Correction**

[Geometry Correction]	Return
H/V-Keystone	
Quick Corner	
✓ Arc Correction	
Point Correction	
Memory	

4

Select the side you want to correct and make adjustment



When you reach a range that cannot be adjusted, you see the message **Cannot adjust any further.** displayed.

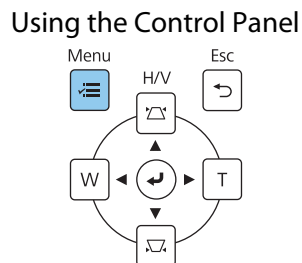
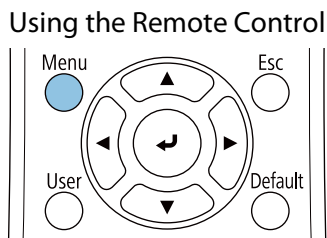
5

When you have finished making adjustments, press the [Esc] button on the remote control or the control panel to finish adjustment

Quick Corner

1

Press the [Menu] button



2

Select **Geometry Correction** from the **Installation** menu

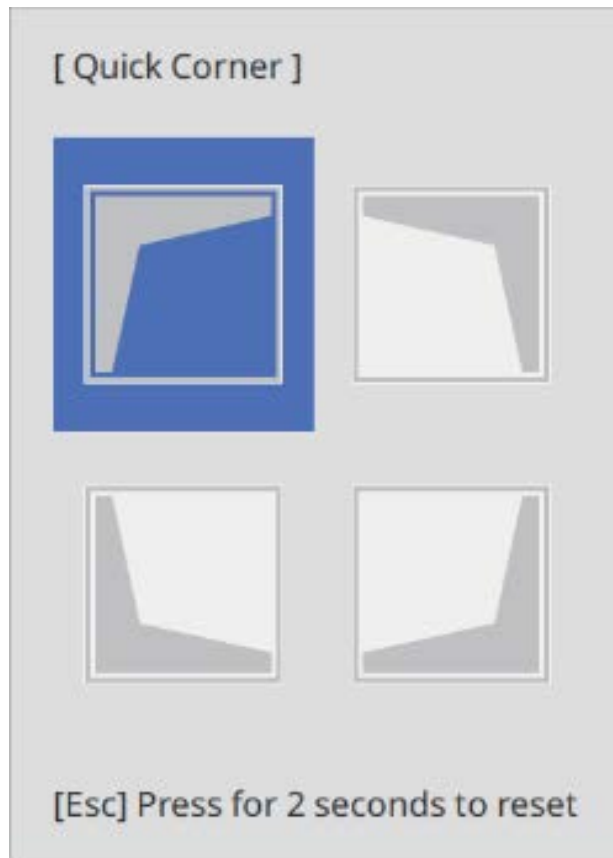
Frequently Used Items	Installation
Image	Fixed Installation Off
Signal I/O	Test Pattern
Installation	Setting Plate Installation Guide
Display	Vertical Installation No
Operation	Projection Front/Upside Down
Management	Auto Screen Adjustment
Network	Geometry Correction Point Correction
Pen/Touch	Digital Zoom
Interactive	Connect ELPCB02 Off
Memory	Touch Unit
ECO	Remote Receiver Off
Initial/All Settings	Projector ID Off
	Screen Type 16:9
	High Altitude Mode Off
	Reset Installation Settings
	Display
	Pattern Display

3


Select **Quick Corner**

[Geometry Correction]	Return
H/V-Keystone	
✓ Quick Corner	
Arc Correction	
Point Correction	
Memory	

4 Select the side you want to correct and make adjustment



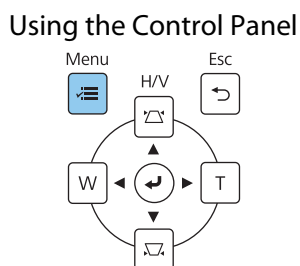
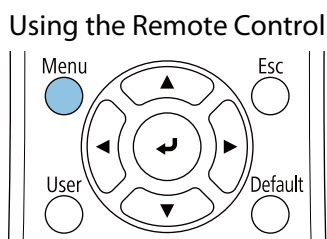
When you reach a range that cannot be adjusted, you see the message **Cannot adjust any further.** displayed.

 While adjusting the sides, press buttons [1], [3], [7], and [9] on the remote control to select the side you want to adjust.

5 When you have finished making adjustments, press the [Esc] button on the remote control or the control panel to finish adjustment

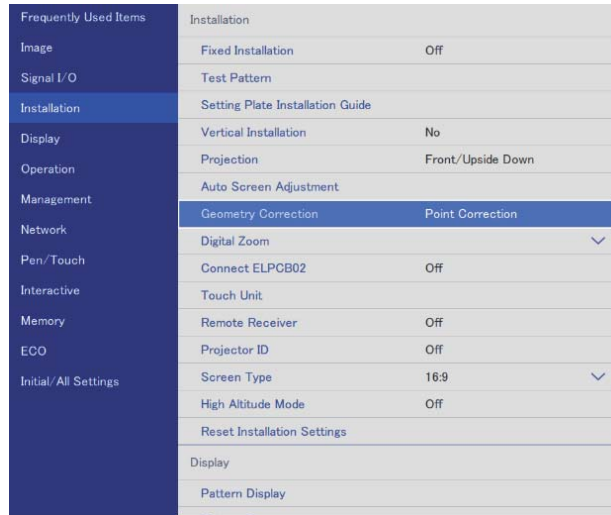
Point Correction

1 Press the [Menu] button



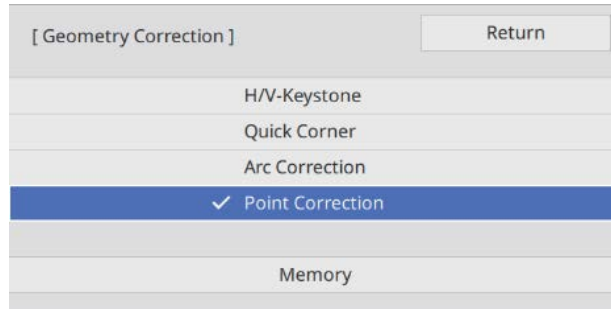
2

Select **Geometry Correction** from the **Installation** menu



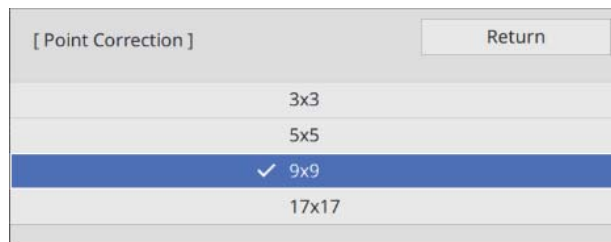
3

Select **Point Correction**



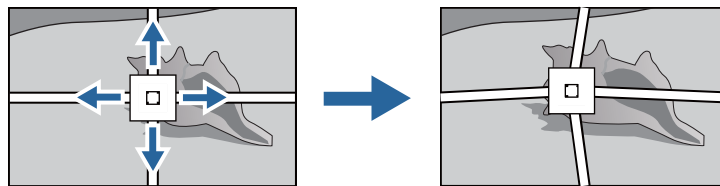
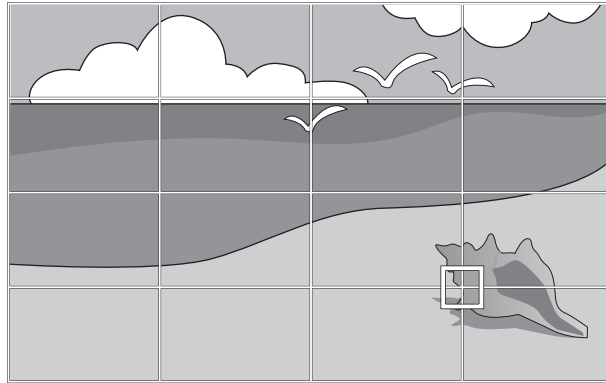
4

Select **Point Correction** and then select the number of grid



5

Select the points you want to correct and make adjustment



If it is hard to see the grid, use **Pattern Color** to change the color of the grid.

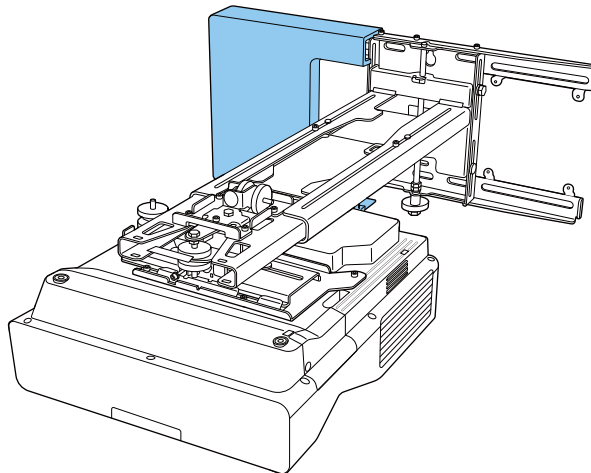
6

When you have finished making adjustments, press the [Esc] button on the remote control or the control panel to finish adjustment

Attaching the Covers

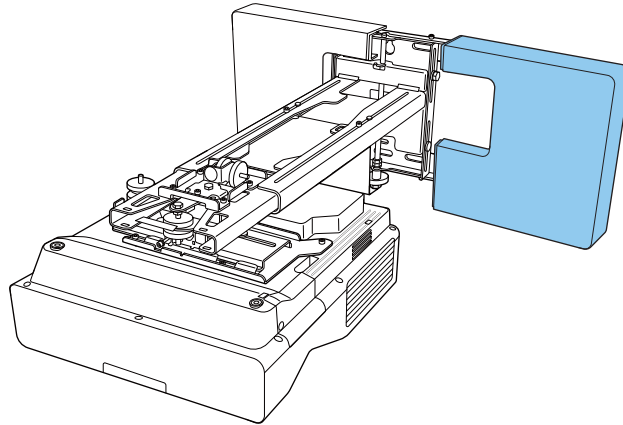
1

Attach the left wall plate cover



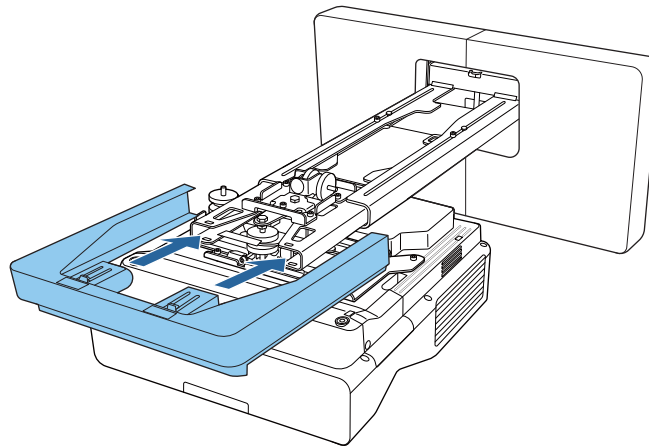
2

Attach the right wall plate cover

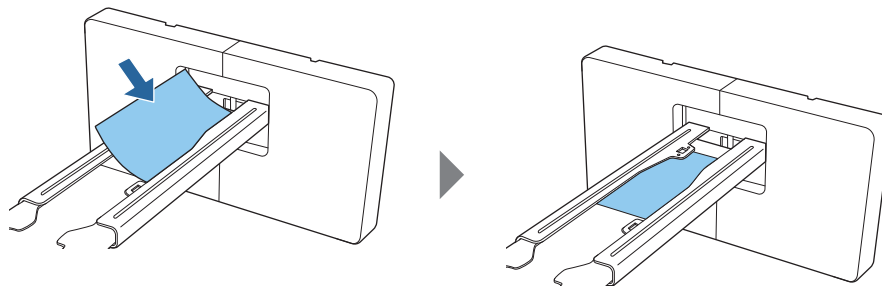


3

Fit the end cap to the setting plate



If you are concerned about the groove in the arm, stick the supplied masking sticker.

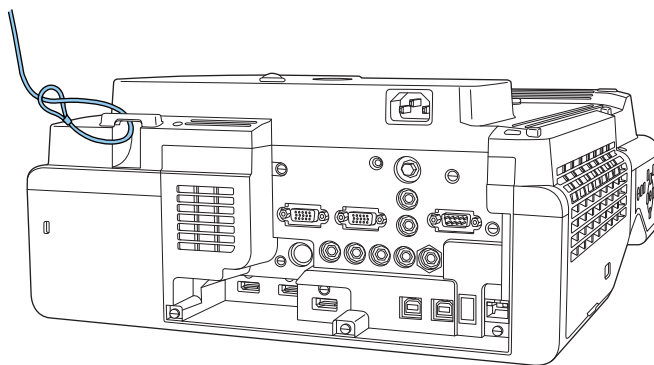


Attaching a Security Cable

Perform one of the following security measures if necessary.

- Install a commercially available theft-prevention wire lock

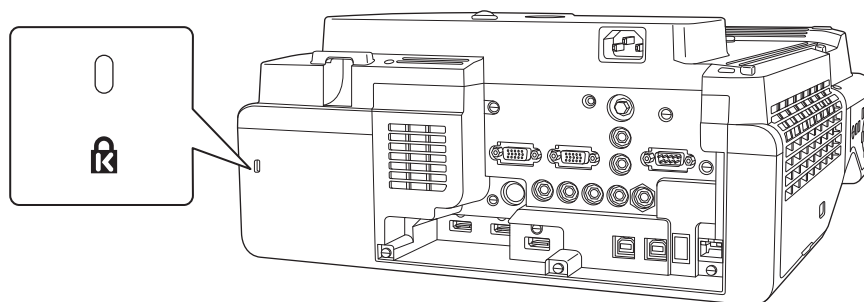
Pass the wire lock through the security cable installation points on the projector and the setting plate.



- Install a security wire from Kensington

The security slot on this product is compatible with the Microsaver Security System manufactured by Kensington. See the following for more details on the Microsaver Security System.

<http://www.kensington.com/>



Batch Setup Function

After making the projector's menu settings for one projector, you can copy the settings to other projectors (batch setup function). The batch setup function is only for projectors with the same model number.

Use one of the following methods.

- Setup using a USB flash drive.
- Setup by connecting the computer and projector with a USB cable.
- Make settings using Epson Projector Management.

This guide explains the USB flash drive and the USB cable methods.

For details on making settings using Epson Projector Management, see the *Epson Projector Management Operation Guide*.



- If you do not want to copy the following settings, set **Batch Setup Range** to **Limited**.
 - **Password Protection**
 - **EDID** from the **Signal I/O** menu
 - **Network** menu
- Perform batch setup before adjusting the position of the projectors. The batch setup function copies adjustment values for the projected image such as Geometry Correction. If batch setup is performed after adjusting the position of the projectors, the adjustments you made may change.
- By using the batch setup function, the registered User's Logo is copied to the other projectors. Do not register confidential information as the User's Logo.



Caution

Performing batch setup is the customer's responsibility. If batch setup fails due to an accident such as a power failure, communication error, the customer is responsible for any repair costs incurred.

Setup Using a USB Flash Drive

This section explains how to perform batch setup using a USB flash drive.



- Use a FAT format USB flash drive.
- The batch setup function cannot be used by USB flash drives that incorporate security functions. Use a USB flash drive that does not incorporate security functions.
- The batch setup function cannot be used by USB card readers or USB hard disks.

Saving settings to the USB flash drive

1

Disconnect the power cord from the projector, and check that all of the projector's indicators have turned off

2

Connect the USB flash drive to the projector's USB-A port



- Connect the USB flash drive directly to the projector. If the USB flash drive is connected to the projector through a USB hub, the settings may not be saved correctly.
- Connect an empty USB flash drive. If the USB flash drive contains data other than the batch setup file, the settings may not be saved correctly.

3

While holding down the [Esc] button on the remote control or the control panel, connect the power cord to the projector

The On/Standby indicator and the Status indicator turn blue, and the Laser indicator and the Temp indicator turn orange.

When all of the projector's indicators turn on, release the [Esc] button.

On/Standby  

Status  

Laser  

Temp  

When all of the indicators start flashing, the batch setup file is being written.



Caution

- Do not disconnect the power cord from the projector while the file is being written. If the power cord is disconnected, the projector may not start correctly.
- Do not disconnect the USB flash drive from the projector while the file is being written. If the USB flash drive is disconnected, the projector may not start correctly.

When writing completes normally, the projector turns off, and only the On/Standby indicator is lit blue.

On/Standby  

Status  

Laser  

Temp  

When the power turns off, remove the USB flash drive.



- The file name for the batch setup file is PJCONFDATA.bin. If you need to change the file name, add text after PJCONFDATA. If you change the PJCONFDATA section of the file name, the projector may not be able to recognize the file correctly.
- You can only use single-byte characters for the file name.

■ Copying saved settings to other projectors

1 Disconnect the power cord from the projector, and check that all of the projector's indicators have turned off

2 Connect the USB flash drive containing the saved batch setup file to the projector's USB-A port



Do not store any data except for the batch setup file on the USB flash drive. If the USB flash drive contains data other than the batch setup file, the settings may not be copied correctly.

3 While holding down the [Menu] button on the remote control or the control panel, connect the power cord to the projector

The On/Standby indicator and the Status indicator turn blue, and the Laser indicator and the Temp indicator turn orange.

When all of the projector's indicators turn on, release the [Menu] button. The indicators turn on for approximately 75 seconds.

On/Standby  

Status  

Laser  

Temp  

When all of the indicators start flashing, the settings are being written.



Caution

- Do not disconnect the power cord from the projector while the settings are being written. If the power cord is disconnected, the projector may not start correctly.
- Do not disconnect the USB flash drive from the projector while the settings are being written. If the USB flash drive is disconnected, the projector may not start correctly.

When writing completes normally, the projector turns off, and only the On/Standby indicator is lit blue.

On/Standby  

Status  

Laser  

Temp  

When the power turns off, remove the USB flash drive.

Setup by Connecting the Computer and Projector with a USB Cable



The following operating systems support the batch setup function.

- Windows 8.1 and later
- macOS 10.13.x and later

■ Saving settings to a computer

- 1 Disconnect the power cord from the projector, and check that all of the projector's indicators have turned off
- 2 Connect the computer's USB port to the projector's USB-B1 port with a USB cable
- 3 While holding down the [Esc] button on the remote control or the control panel, connect the power cord to the projector

The On/Standby indicator and the Status indicator turn blue, and the Laser indicator and the Temp indicator turn orange.

When all of the projector's indicators turn on, release the [Esc] button.

On/Standby  

Status  

Laser  

Temp  

The projector is recognized as a removable disk by the computer.

- 4 Open the removable disk, and save the batch setup file (PJCONFDATA.bin) to the computer



If you need to change the name of the batch setup file, add text after PJCONFDATA. If you change the PJCONFDATA section of the file name, the projector may not be able to recognize the file correctly. You can only use single-byte characters for the file name.

5

Perform "Remove USB device" on your computer, and then disconnect the USB cable



When using a Mac, perform "Remove EPSON_PJ".

The projector turns off, and only the On/Standby indicator is lit blue.

On/Standby 

Status 

Laser 

Temp 

■ Copying saved settings to other projectors

1

Disconnect the power cord from the projector, and check that all of the projector's indicators have turned off

2

Connect the computer's USB port to the projector's USB-B1 port with a USB cable

3

While holding down the [Menu] button on the remote control or the control panel, connect the power cord to the projector

The On/Standby indicator and the Status indicator turn blue, and the Laser indicator and the Temp indicator turn orange.

When all of the projector's indicators turn on, release the [Menu] button.

On/Standby 

Status 

Laser 

Temp 

The projector is recognized as a removable disk by the computer.


4

Copy the batch setup file (PJCONFDATA.bin) that you saved to your computer to the top-level folder of the removable disk




Do not copy any files or folders other than the batch setup file to the removable disk.

5 Perform "Remove USB device" on your computer, and then disconnect the USB cable





 When using a Mac, perform "Remove EPSON_PJ".

When all of the indicators start flashing, the settings are being written.















 **Caution**

Do not disconnect the power cord from the projector while the settings are being written. If the power cord is disconnected, the projector may not start correctly.

When writing completes normally, the projector turns off, and only the On/Standby indicator is lit blue.

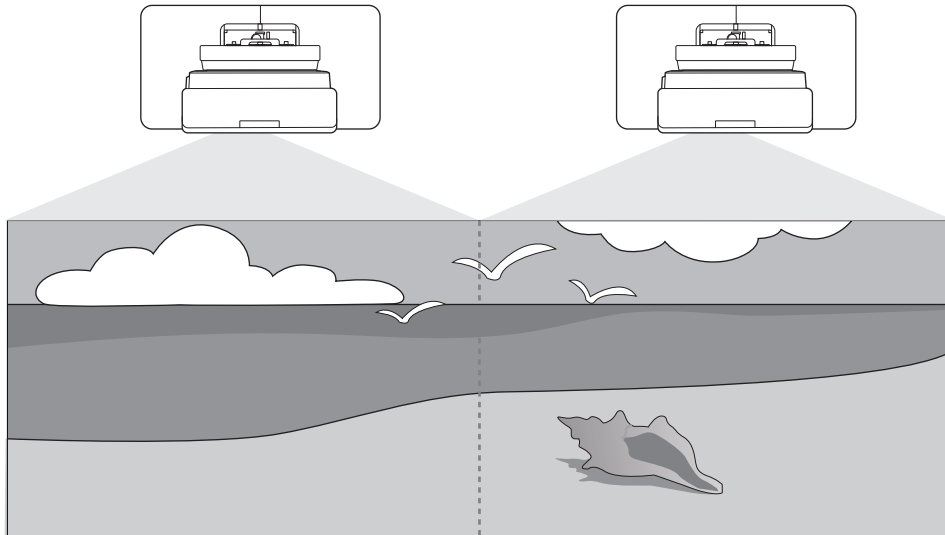
- On/Standby 
- Status 
- Laser 
- Temp 

When Setup Fails

Check	Remedy
<p>Are the Laser and the Temp indicators flashing orange quickly?</p> <p>On/Standby  <input checked="" type="checkbox"/></p> <p>Status  <input checked="" type="checkbox"/></p> <p>Laser  </p> <p>Temp  </p>	<p>The batch setup file may be corrupt, or the USB flash drive or USB cable may not be connected correctly. Disconnect the USB flash drive or the USB cable, unplug and then plug in the projector's power cord, and then try again.</p>
<p>Are the On/Standby and the Status indicators flashing blue, and the Laser and the Temp indicators flashing orange quickly?</p> <p>On/Standby  </p> <p>Status  </p> <p>Laser  </p> <p>Temp  </p>	<p>Writing the settings may have failed and an error may have occurred in the projector's firmware. Stop using the projector, remove the power plug from the electrical outlet, and contact Epson for help.</p>

Installing Multiple Projectors (Multi-Projection)

You can create one large screen as a unified image projected from multiple projectors.



When performing multi-projection, make connections and the necessary settings in the following order.



When setting Multi-Projection, we recommend setting **Operation > Sleep Mode** to **Off** from the projector's Menu.

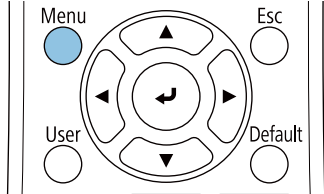
- 1 Setting the Projector ID (👉 p.83)
- 2 Multi-Projection image adjustment (👉 p.85)

Setting the Projector ID

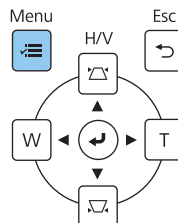
1

Turn on the projector, and then press the [Menu] button

Using the Remote Control

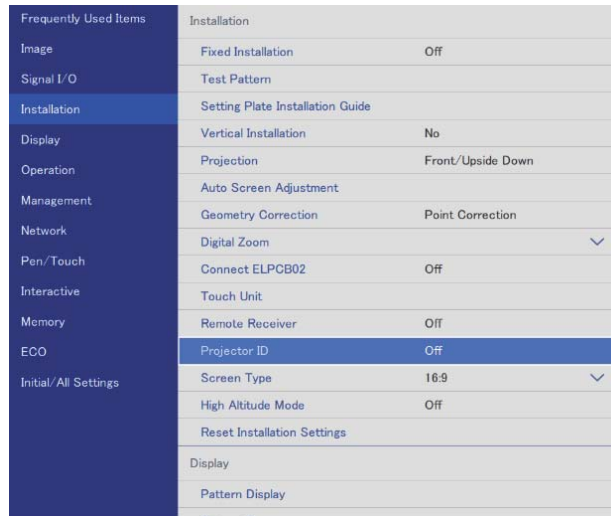


Using the Control Panel

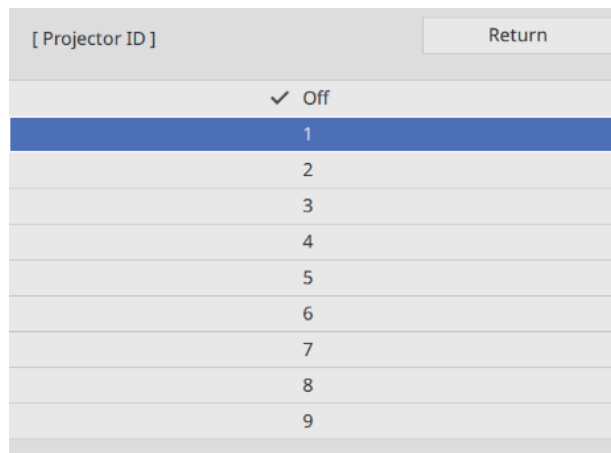


2 Select **Projector ID** from the **Installation** menu

When using EB-775F/EB-770F, select **Projector ID** from the **Multi-Projection** menu.



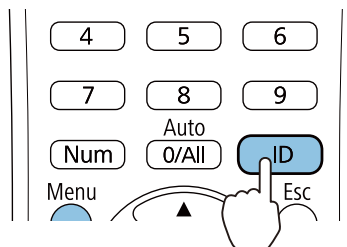
3 Select the ID number for the projector



4 Press the [Esc] button to close the menu

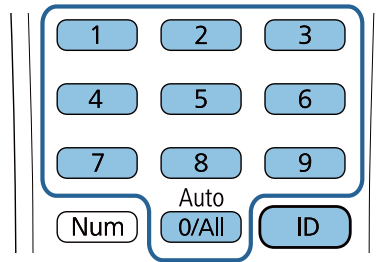
Repeat steps 1 to 4 for the remaining projectors.

5 Point the remote control at the projector you want to operate, and then press the [ID] button



The current ID number is displayed on the projection screen.

- 6** While holding down the [ID] button, press the button with the same number as the projector ID for the projector you want to operate



Remote control operations for the projector with the selected ID are enabled.



- When **Projector ID** is set to **Off**, you can operate the projector using the remote control regardless of the ID setting selected using the remote control.
- When the remote control ID is set to 0, you can operate all of the projectors regardless of the projector ID setting.
- Operating multiple remote controls at the same time can cause accidental operations due to infrared interference.

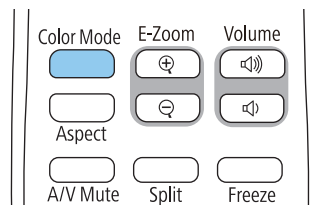
Adjusting the Image in Multi-Projection



Images are not stable immediately after turning on the projector. After starting projection, wait for at least 30 minutes before adjusting the image.

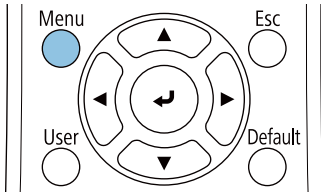
■ When using the EB-775F/EB-770F

- 1** Turn on the projector
- 2** Press the [Color Mode] button on the remote control, and then set the Color Mode to **Multi-Projection**

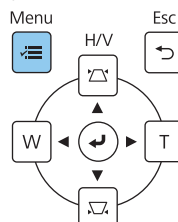


- 3** Press the [Menu] button

Using the Remote Control



Using the Control Panel



4 Make necessary settings on the **Multi-Projection** menu

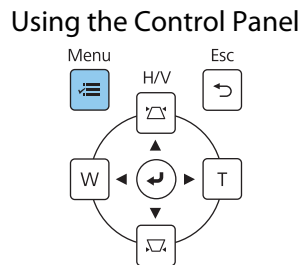
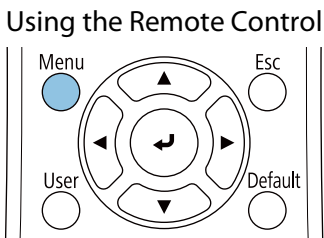
For details on making settings, see the projector's *User's Guide*.

Tiling	Set the number and position of the projectors.
Geometry Correction	Correct the shape of the image.
Edge Blending Black Level	Adjust the image overlapping section to create a seamless image.
Scale	Set the magnification and splicing position for the image.
Light Source Mode	Adjust the brightness of the entire image. Select Custom , and then adjust the Brightness Level based on the darkest projector.
Color Uniformity Color Matching RGBCMY	Adjust the color of the image for each projector so that the entire image looks uniform.

■ When using the EB-760W

1 Turn on the projector

2 Press the [Menu] button


















3 Make the necessary settings from the following menus






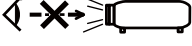










For details on making settings, see the projector's *User's Guide*.

Image - Color Mode (Press the [Color Mode] button on the remote control to execute)	Select the same item for each projector so that the color of the entire image looks uniform.
Operation - Light Source Brightness Control - Light Source Mode	Adjust the brightness of the entire image. Select Custom , and then adjust the Brightness Level based on the darkest projector.
Management - Color Uniformity Image - RGBCMY	Adjust the color of the image for each projector so that the entire image looks uniform.

List of Safety Symbols

The following table lists the meaning of the safety symbols labeled on the equipment.

Symbol mark	Approved standards	Meaning
	IEC60417 No.5007	Power On To indicate connection to the mains.
	IEC60417 No.5008	Power Off To indicate disconnection from the mains.
	IEC60417 No.5009	Standby To identify the switch or switch position by means of which part of the equipment is switched on in order to bring it into the standby condition.
	ISO7000 No.0434B IEC3864-B3.1	Caution To identify general caution when using the product.
	IEC60417 No.5041	Caution, hot surface To indicate that the marked item can be hot and should not be touched without taking care.
	IEC60417 No.6042 ISO3864-B3.6	Caution, risk of electric shock To identify equipment that presents a risk of electric shock.
	IEC60417 No.5957	For indoor use only To identify electrical equipment designed primarily for indoor use.
	IEC60417 No.5926	Polarity of d.c. power connector To identify the positive and negative connections (the polarity) on a piece of equipment to which a d.c. power supply may be connected.
	---	
	IEC60417 No.5001B	Battery, general On battery powered equipment. To identify a device for instance a cover for the battery compartment, or the connector terminals.
	IEC60417 No.5002	Positioning of battery To identify the battery holder itself and to identify the positioning of the batteries inside the battery holder.
	---	
	IEC60417 No.5019	Protective earth To identify any terminal which is intended for connection to an external conductor for protection against electric shock in case of a fault, or the terminal of a protective earth electrode.
	IEC60417 No.5017	Earth To identify an earth (ground) terminal in cases where the  is not explicitly required.

Symbol mark	Approved standards	Meaning
	IEC60417 No.5032	Alternating current To indicate that the equipment is suitable for alternating current only; to identify relevant terminals.
	IEC60417 No.5031	Direct current To indicate that the equipment is suitable for direct current only; to identify relevant terminals.
	IEC60417 No.5172	Class II equipment To identify equipment meeting the safety requirements specified for Class II equipment according to IEC 61140.
	ISO 3864	General prohibition To identify actions or operations that are prohibited.
	ISO 3864	Contact prohibition To indicate injury that could occur due to touching a specific part of the equipment.
	---	Never look into the projection window while the projector is on.
	---	To indicate that you must never place anything on the projector.
	ISO3864 IEC60825-1	Caution, laser radiation To indicate the equipment has a laser radiation part.
	ISO 3864	Disassembly prohibition To indicate a risk of injury, such as electric shock, if the equipment is disassembled.
	IEC60417 No.5266	Standby, partial standby To indicate that part of the equipment is in the ready status.
	ISO3864 IEC60417 No.5057	Caution, movable parts To indicate that you must keep away from movable parts according to protection standards.
	IEC 60417-6056	Caution, movable fan blades To indicate that you must keep away from the blades of the movable fan according to protection standards.
	IEC 60417-6043	Caution, sharp corners To indicate that you must not touch the sharp corners of the product according to protection standards.
	--	Never look into the projection window while the projector is on.
	ISO7010 No. W027 ISO 3864	Warning, light emission (UV, visible light, IR and so on) To indicate that you must be careful not to injure your eyes or skin when near light emitting sections.
	IEC60417 No.5109	Not to be used in residential areas To indicate that the electrical equipment/device is not suitable for use in a residential area.

Indication of the manufacturer and the importer in accordance with requirements of directive 2011/65/ EU (RoHS)

Manufacturer: SEIKO EPSON CORPORATION

Address: 3-5, Owa 3-chome, Suwa-shi, Nagano-ken 392-8502 Japan

Telephone: 81-266-52-3131

<http://www.epson.com/>

Importer: SEIKO EUROPE B.V.

Address: Azië building, Atlas Arena, Hoogoorddreef 5, 1101 BA Amsterdam Zuidoost The Netherlands

Telephone: 31-20-314-5000

<http://www.epson.eu/>

General Notice

Mac and macOS are trademarks of Apple Inc.

Microsoft and Windows are trademarks or registered trademarks of Microsoft Corporation in the United States and/or other countries.

© 2023 Seiko Epson Corporation

2023.1 Rev.1.0