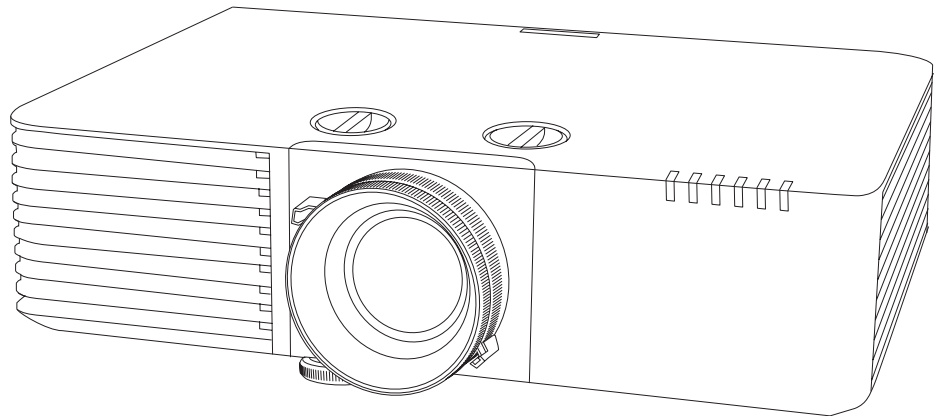


**EB-L775U**

**EB-L770U**

**EB-L570U**

## **Specifications**



## Contents

■ Product Overview .....	3
■ Dimensions .....	5
■ Dimensions with Ceiling Mount (ELPMB22) .....	7
■ Dimensions with Ceiling Mount (Low profile) (ELPMB30) .....	9
■ Interface .....	10
■ Remote Control Operating Range (Wireless) .....	10
■ Screen Size and Projection Distance .....	11
■ Supported Monitor Display Resolutions .....	14
■ Installation Angle .....	15
■ Installation Environment .....	16
■ Monitoring and Control .....	17
■ Image Quality Maintenance .....	32
■ Cautions .....	32
■ Getting the Latest Version of the Documents .....	32
■ Trademarks .....	33
■ Copyright Notice .....	33
■ Disclaimer .....	33

## ■ Product Overview

This projector comes with a variety of special features.  
 This manual explains the projector's technical specifications.  
 For details on how to use each feature, see the "User's Guide".

## Product Specifications

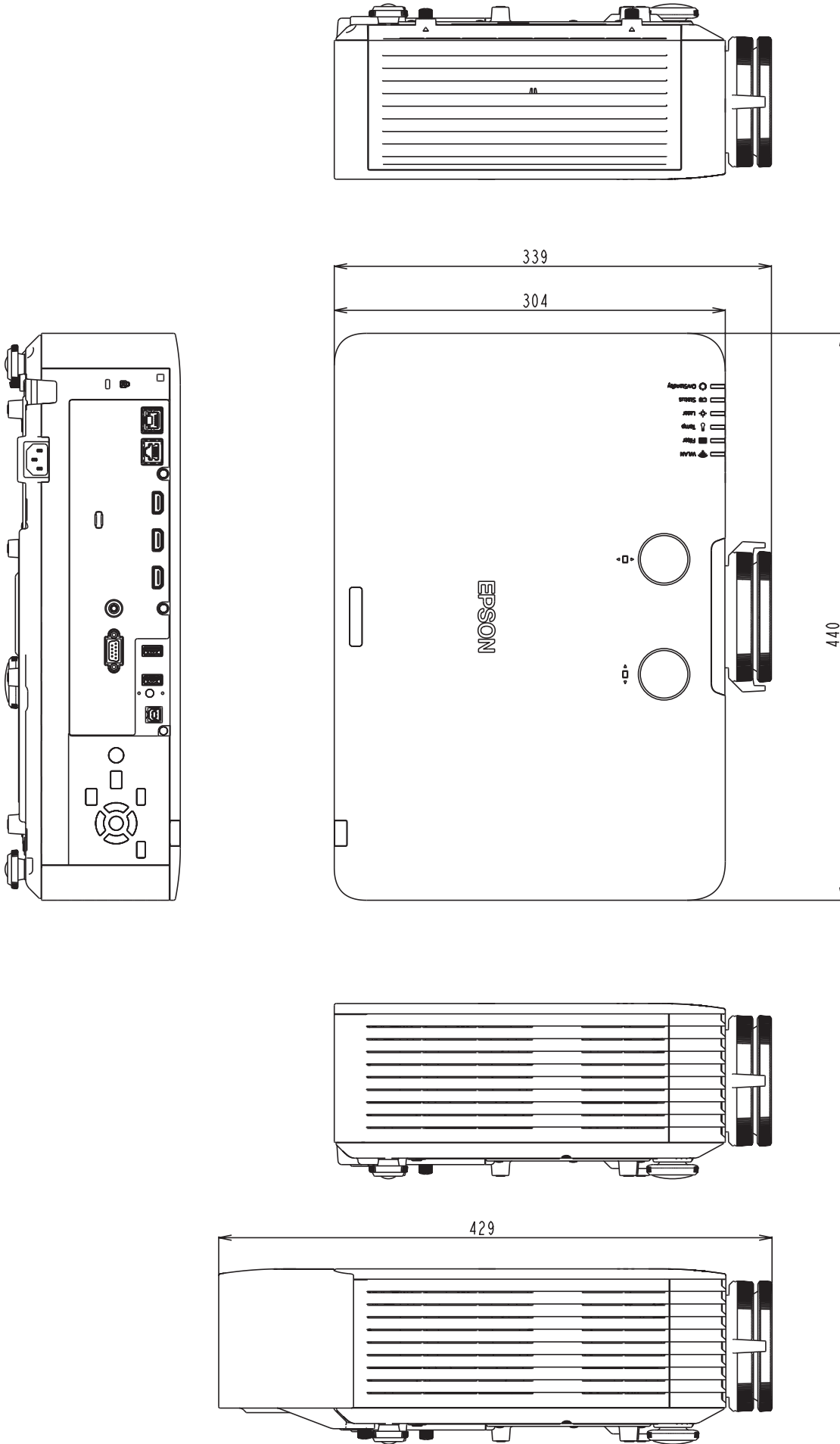
Product name		EB-L775U/EB-L770U	EB-L570U	
Projection system		RGB liquid crystal shutter		
LCD panel	Size (diagonal)	0.67"		
	Resolution	2,304,000 pixels		
	Pixel number	WUXGA (1,920 (W) × 1,200 (H) dots) × 3		
Projection lens	F value	1.5 - 1.7		
	Zoom	Optics (1.0 - 1.6)		
	Focus	Manual		
Light source	Type	Laser diode		
	Output power (maximum)	Up to 124 W	Up to 88 W	
	Wavelength	449 to 461 nm		
	Life expectancy <sup>1</sup>	Approx. 20,000 hours (Light Source Mode: Normal, Quiet) Approx. 30,000 hours (Light Source Mode: Extended)		
Brightness <sup>2</sup>		7,000 lm (Light Source Mode: Normal) 4,900 lm (Light Source Mode: Quiet, Extended)	5,200 lm (Light Source Mode: Normal) 3,640 lm (Light Source Mode: Quiet, Extended)	
Contrast ratio <sup>2</sup>		Over 2,500,000:1 (Dynamic Contrast: Normal, High Speed)		
Color reproducibility		Maximum of 1,070 million colors		
Speaker		10 W (monaural)		
Scanning frequency	Digital	Horizontal: 26 - 135 kHz Vertical: 23.98/24/25/29.97/30/50/59.94/60		
Operating environment	Operating temperature (when using a single projector installation) <sup>3</sup>	Altitude of 0 to 2,286 m: 0 to +45° C (Humidity of 20 to 80%, No condensation) Altitude of 2,287 to 3,048 m: 0 to +40° C (Humidity of 20 to 80%, No condensation)		
	Operating temperature (when using a multiple projector installation) <sup>3</sup>	Altitude of 0 to 2,286 m: 0 to +40° C (Humidity of 20 to 80%, No condensation) Altitude of 2,287 to 3,048 m: 0 to +35° C (Humidity of 20 to 80%, No condensation)		
	Storage temperature	-10 to +60°C (Humidity 10 to 90%, no condensation)		
	Operating altitude	Altitude 0 to 3,048 m		
Power supply		100 - 240 V AC ± 10% 50/60 Hz 3.9 - 1.8 A	100 - 240 V AC 50/60 Hz 3.3 - 1.5 A	
Power consumption	Operating	100 to 120 V area	382 W (Light Source Mode: Normal, Custom) 285 W (Light Source Mode: Quiet) 275 W (Light Source Mode: Extended)	323 W (Light Source Mode: Normal, Custom) 250 W (Light Source Mode: Quiet) 242 W (Light Source Mode: Extended)
		220 to 240 V area	366 W (Light Source Mode: Normal, Custom) 277 W (Light Source Mode: Quiet) 268 W (Light Source Mode: Extended)	312 W (Light Source Mode: Normal, Custom) 242 W (Light Source Mode: Quiet) 234 W (Light Source Mode: Extended)
	Standing by	Communication On	2.0 W	
		Communication Off	0.5 W	
Dissipation BTU (maximum)	100 to 120 V area	1298.8 BTU/h	1098.2 BTU/h	
	220 to 240 V area	1244.4 BTU/h	1060.8 BTU/h	
Air flow (maximum)		95.0 CFM		
Dimensions (W × H × D)		440 × 122 × 304 mm (not including raised section)		
		440 × 136 × 339 mm (including raised section)		
Mass	Projector	Approx. 8.5 kg	Approx. 8.3 kg	
	Ceiling mount (ELPMB22)	Approx. 3.5 kg		
	Ceiling mount (Low profile) (ELPMB30)	Approx. 3.5 kg		
	Ceiling pipe 450 (450 mm) (ELPFP13)	2.1 kg		
	Ceiling pipe 700 (700 mm) (ELPFP14)	2.6 kg		
Noise level <sup>2</sup>	Light Source Mode: Normal	38 dB	31 dB	
	Light Source Mode: Quiet	27 dB	23 dB	

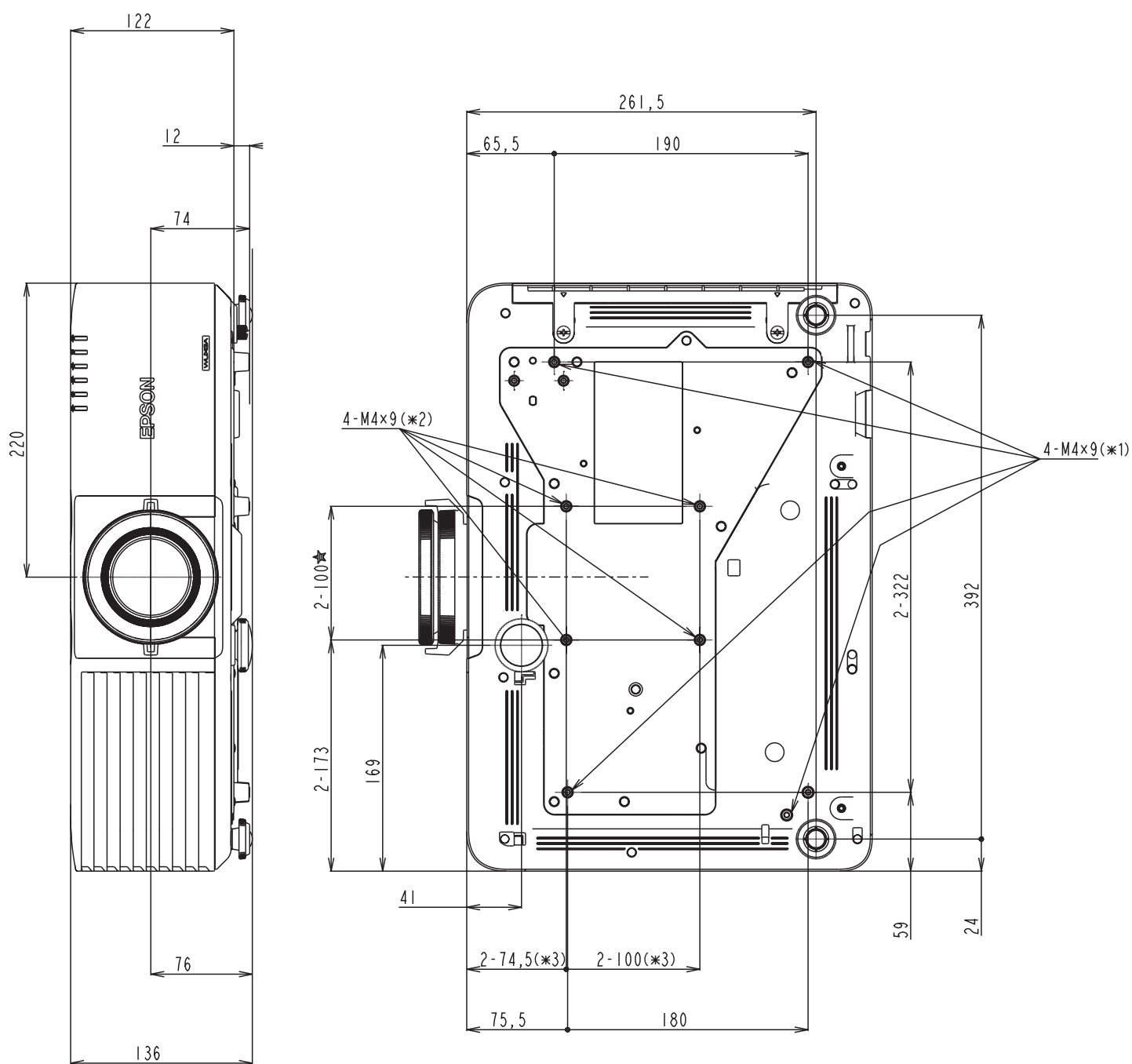
Product name	EB-L775U/EB-L770U	EB-L570U
Items Supplied	Remote control, 2 AA dry cell batteries (for remote control), power cord (approx. 3 m), cable cover warranty card, User manual set	

- \*1 Approximate time before the brightness of the light source is reduced by half.  
(Assuming the projector is being used in an environment containing airborne particles of 0.04 to 0.2 mg/m<sup>3</sup>. This is an approximate guide only and may change depending on the projector's usage and surroundings.)
- \*2 All average values for this product at time of shipping comply with the ISO 21118 international standards.
- \*3 When the surrounding temperature rises, the brightness of the light source is automatically reduced.  
(Approx. 40°C at an altitude of 0 to 2,286m and approx. 35°C at an altitude of 2,287 to 3,048 m although these will vary depending on the usage environment.) The projector may turn off automatically if the operating temperature range is exceeded.

# ■ Dimensions

[Units: mm]

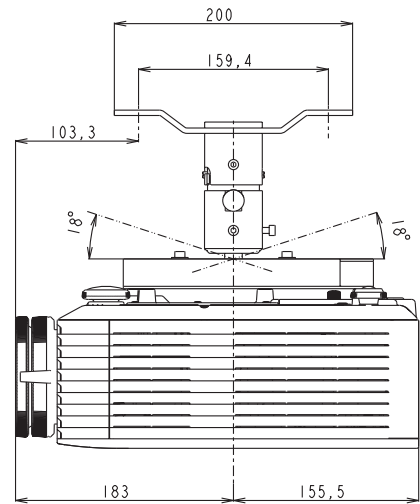
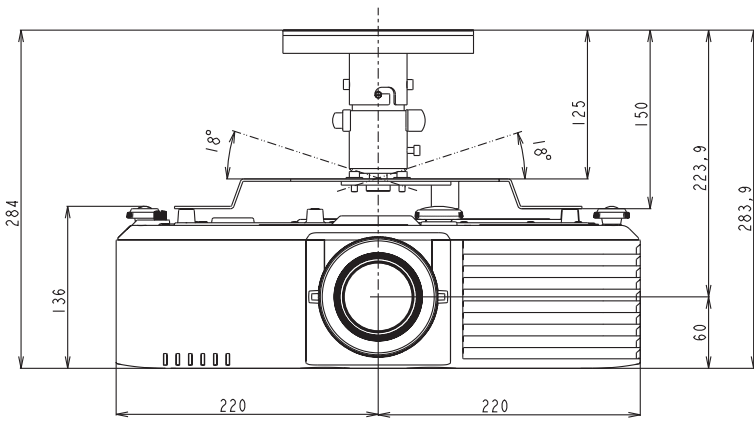
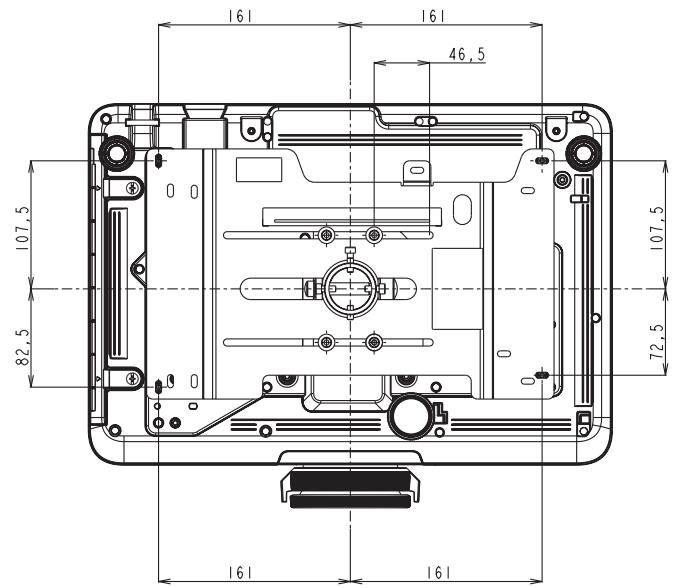
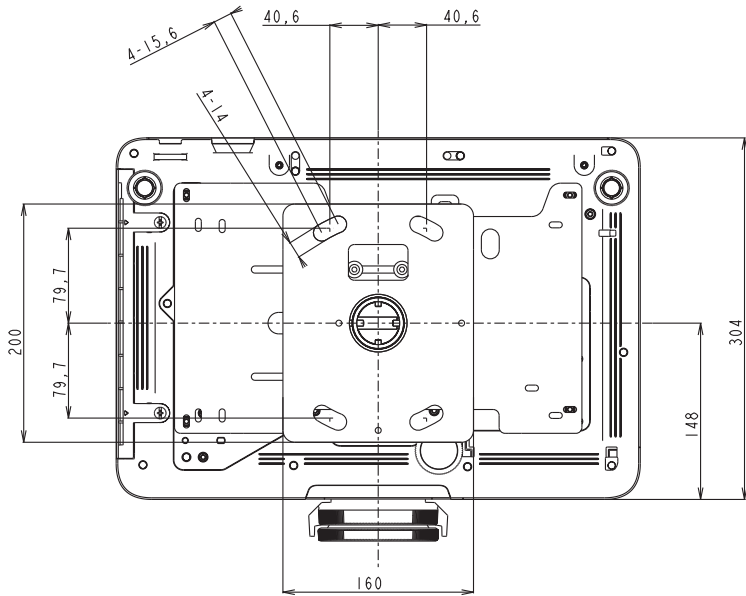




- \*1 Mounting section for optional mount.
- \*2 Mounting section for mount conforming to VESA standards (100 x 100 mm).
- \*3 For VESA mount interface.

# ■ Dimensions with Ceiling Mount (ELPMB22)

[Units: mm]

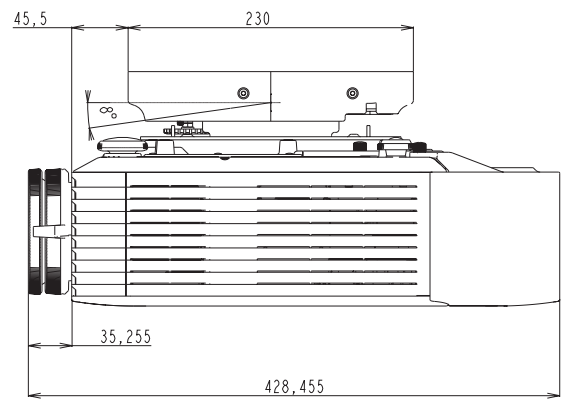
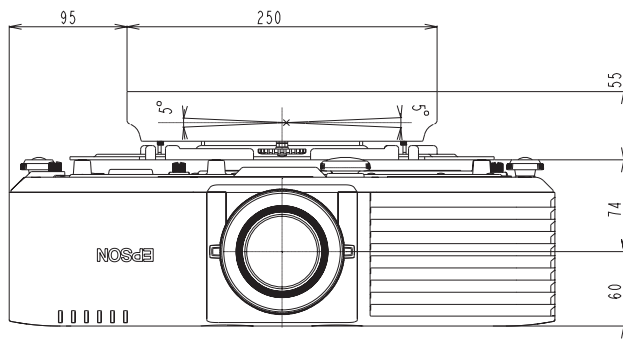
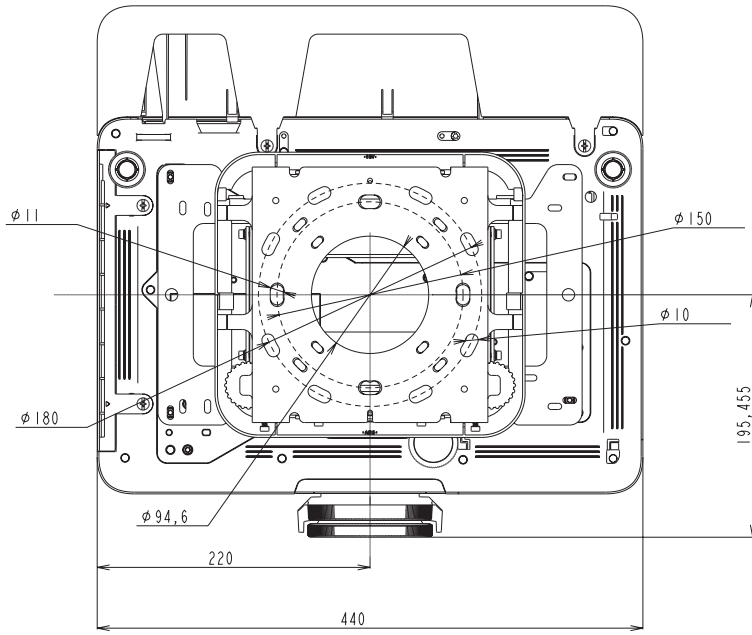






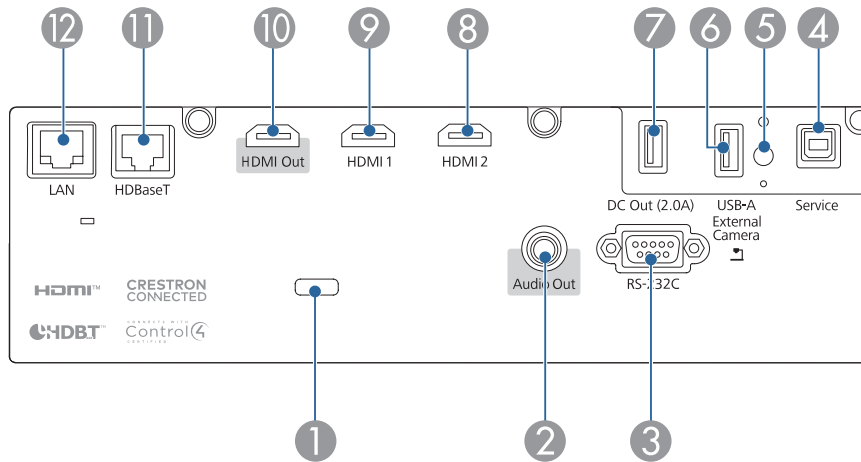
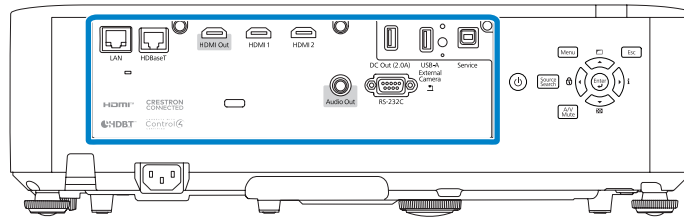
# ■ Dimensions with Ceiling Mount (Low profile) (ELPMB30)

[Units: mm]



## Interface

### Position of interface on projector



No	Name	No	Name
①	Cable holder	⑦	DC Out (2.0A) port (USB Type-A)
②	Audio Out port (Stereo mini pin jack)	⑧	HDMI2 port (HDMI HDCP) <sup>*3 *4</sup>
③	RS-232C port (Mini D-Sub 9-pin, male) <sup>*1</sup>	⑨	HDMI1 port (HDMI HDCP) <sup>*3 *4</sup>
④	Service port (USB Type-B) <sup>*2</sup>	⑩	HDMI Out port (HDMI HDCP) <sup>*3 *4</sup>
⑤	Wireless LAN module fixing screw	⑪	HDBaseT port (RJ-45) <sup>*4 *5</sup>
⑥	USB-A port (USB Type-A) <sup>*6</sup>	⑫	LAN port (RJ-45) <sup>*5</sup>

\*1 You do not need to use this port normally.

\*2 This port is used for batch setup.

\*3 Audio is only supported by PCM.

\*4 This port is compatible with HDCP2.3.

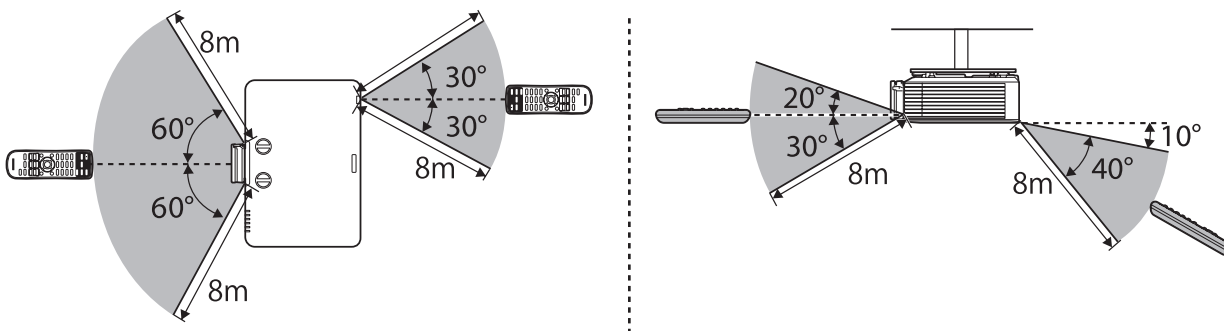
\*5 Make sure you use LAN cables that are straight STP cables, category 5e or higher, and recommended by the HDBaseT Alliance.

\*6 USB-B port does not support USB 1.1.

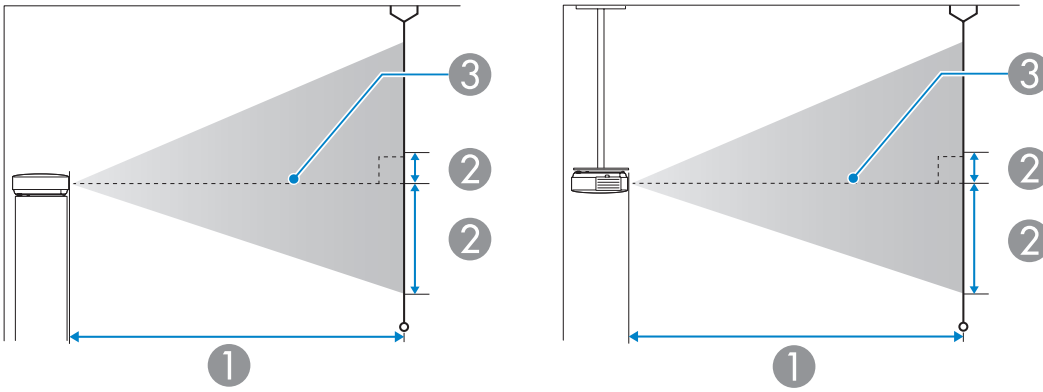
USB ports are not guaranteed to operate all devices that support USB.

## Remote Control Operating Range (Wireless)

The following shows the operation range for the remote control supplied with the projector.



## ■ Screen Size and Projection Distance



- ① Projection distance (cm)
- ② Distance from the center of the lens to the base of the screen (This changes depending on the setting for vertical lens shift.) (cm)
- ③ Center of lens

### Projection Distance Formula

<For screens with an aspect ratio of 16:10>

Projection distance ( ① ) formula	
Minimum	Projection distance (cm) = Projection screen size (inches) × 2.95848 - 3.5728
Maximum	Projection distance (cm) = Projection screen size (inches) × 4.7743 - 3.5078

<For screens with an aspect ratio of 4:3>

Projection distance ( ① ) formula	
Minimum	Projection distance (cm) = Projection screen size (inches) × 3.34923 - 3.5728
Maximum	Projection distance (cm) = Projection screen size (inches) × 5.40488 - 3.5078

<For screens with an aspect ratio of 16:9>

Projection distance ( ① ) formula	
Minimum	Projection distance (cm) = Projection screen size (inches) × 3.04074 - 3.5728
Maximum	Projection distance (cm) = Projection screen size (inches) × 4.90704 - 3.5078

<For screens with an aspect ratio of 16:6>

Projection distance ( ① ) formula	
Minimum	Projection distance (cm) = Projection screen size (inches) × 3.26665 - 3.5728
Maximum	Projection distance (cm) = Projection screen size (inches) × 5.27161 - 3.5078

<For screens with an aspect ratio of 21:9>

Projection distance ( ① ) formula	
Minimum	Projection distance (cm) = Projection screen size (inches) × 3.2067 - 3.5728
Maximum	Projection distance (cm) = Projection screen size (inches) × 5.17486 - 3.5078

## Projection Distance

The projection distances are approximate values. Visit the following Web site to find the projection distance calculator.

<https://epson.com/>

<For screens with an aspect ratio of 16:10>

[Units: cm]

Screen Size		①	②
Inches (Diagonally)	Width × Height	Minimum (Wide) to Maximum (Tele)	
50	108 × 67	144 - 235	-67 - 0
60	129 × 81	174 - 283	-81 - 0
70	151 × 94	204 - 331	-94 - 0
80	172 × 108	233 - 378	-108 - 0
100	215 × 135	292 - 474	-135 - 0
120	258 × 162	351 - 569	-162 - 0
150	323 × 202	440 - 713	-202 - 0
200	431 × 269	588 - 951	-269 - 0
300	646 × 404	884 - 1429	-404 - 0
500	1077 × 673	1476 - 2384	-673 - 0

<For screens with an aspect ratio of 4:3>

[Units: cm]

Screen Size		①	②
Inches (Diagonally)	Width × Height	Minimum (Wide) to Maximum (Tele)	
45	91 × 69	147 - 240	-69 - 0
50	102 × 76	164 - 267	-76 - 0
60	122 × 91	197 - 321	-91 - 0
80	163 × 122	264 - 429	-122 - 0
100	203 × 152	331 - 537	-152 - 0
120	244 × 183	398 - 645	-183 - 0
150	305 × 229	499 - 807	-229 - 0
200	406 × 305	666 - 1077	-305 - 0
300	610 × 457	1001 - 1618	-457 - 0
440	813 × 610	1336 - 2158	-610 - 0
441	896 × 672	1473 - 2380	-672 - 0

<For screens with an aspect ratio of 16:9>

[Units: cm]

Screen Size		①	②
Inches (Diagonally)	Width × Height	Minimum (Wide) to Maximum (Tele)	
49	108 × 61	145 - 237	-64 - 3
50	111 × 62	148 - 242	-66 - 3
60	133 × 75	179 - 291	-79 - 4
80	177 × 100	240 - 389	-105 - 6
100	221 × 125	301 - 487	-131 - 7
120	266 × 149	361 - 585	-158 - 8
150	332 × 187	453 - 733	-197 - 10
200	443 × 249	605 - 978	-263 - 14
300	664 × 374	909 - 1469	-394 - 21
400	886 × 498	1213 - 1959	-526 - 28
486	1076 × 605	1474 - 2381	-639 - 34

<For screens with an aspect ratio of 16:6>

[Units: cm]

Screen Size		①	②
Inches (Diagonally)	Width × Height	Minimum (Wide) to Maximum (Tele)	
46	109 × 41	147 - 239	-55 - 14
50	119 × 45	160 - 260	-59 - 15
60	143 × 54	192 - 313	-71 - 18
80	190 × 71	258 - 418	-95 - 24
100	238 × 89	323 - 524	-119 - 30
120	285 × 107	388 - 629	-143 - 36
150	357 × 134	486 - 787	-178 - 45
200	476 × 178	650 - 1051	-238 - 59
300	713 × 268	976 - 1578	-357 - 89
400	951 × 357	1303 - 2105	-476 - 119
452	1075 × 403	1473 - 2379	-537 - 134

<For screens with an aspect ratio of 21:9>

[Units: cm]

Screen Size		①	②
Inches (Diagonally)	Width × Height	Minimum (Wide) to Maximum (Tele)	
47	110 × 47	147 - 240	-58 - 11
50	117 × 50	157 - 255	-61 - 11
60	140 × 60	189 - 307	-74 - 14
80	187 × 80	253 - 410	-98 - 18
100	233 × 100	317 - 514	-123 - 23
120	280 × 120	381 - 617	-148 - 28
150	350 × 150	447 - 773	-184 - 34
200	467 × 200	638 - 1031	-246 - 46
300	700 × 300	958 - 1549	-396 - 69
400	934 × 400	1279 - 2066	-492 - 92
461	1076 × 461	1475 - 2382	-567 - 106

## ■ Supported Monitor Display Resolutions

### HDMI/HDBaseT

Signals with a check mark are supported. When inputting a signal with a resolution higher than the projector's panel resolution, the display is compressed which may result in a loss of clarity.

Signal Information				HDMI												
Mode	Resolution	Refresh Rate [Hz]	Link	YCbCr									RGB			
				4:2:0			4:2:2			4:4:4			RGB			
				8	10	12	8	10	12	8	10	12	8	10	12	
PC	640 x 480	59.94p	Single	-	-	-	-	-	-	-	-	-	-	✓	-	-
PC	800 x 600	60.32p	Single	-	-	-	-	-	-	-	-	-	-	✓	-	-
PC	1024 x 768	60p	Single	-	-	-	-	-	-	-	-	-	-	✓	-	-
PC	1280 x 800	59.81p	Single	-	-	-	-	-	-	-	-	-	-	✓	-	-
PC	1280 x 960	60p	Single	-	-	-	-	-	-	-	-	-	-	✓	-	-
PC	1280 x 1024	60.02p	Single	-	-	-	-	-	-	-	-	-	-	✓	-	-
PC	1366 x 768	59.79p	Single	-	-	-	-	-	-	-	-	-	-	✓	-	-
PC	1400 x 1050	59.98p	Single	-	-	-	-	-	-	-	-	-	-	✓	-	-
PC	1440 x 900	59.89p	Single	-	-	-	-	-	-	-	-	-	-	✓	-	-
PC	1600 x 900	60p	Single	-	-	-	-	-	-	-	-	-	-	✓	-	-
PC	1600 x 1200	60p	Single	-	-	-	-	-	-	-	-	-	-	✓	-	-
PC	1680 x 1050	59.95p	Single	-	-	-	-	-	-	-	-	-	-	✓	-	-
PC	1920 x 1200	59.95p	Single	-	-	-	-	-	-	-	-	-	-	✓	-	-
PC	2048 x 1536	59.95p	Single	-	-	-	-	-	-	-	-	-	-	✓	-	-
PC	2560 x 1440	59.95p	Single	-	-	-	-	-	-	-	-	-	-	✓	-	-
PC	2560 x 1600	59.97p	Single	-	-	-	-	-	-	-	-	-	-	✓	-	-
PC	1920 x 720	60p	Single	-	-	-	-	-	-	-	-	-	-	✓	-	-
PC	1920 x 810	60p	Single	-	-	-	-	-	-	-	-	-	-	-	-	-
PC	3240 x 1080	60p	Single	-	-	-	-	-	-	-	-	-	-	-	-	-
PC	3440 x 1440	30p	Single	-	-	-	-	-	-	-	-	-	-	✓	-	-
Video	720 x 480	59.94p	Single	-	-	-	✓	✓	✓	✓	✓	✓	✓	✓	✓	✓
Video	720 x 576	50p	Single	-	-	-	✓	✓	✓	✓	✓	✓	✓	✓	✓	✓
Video	1280 x 720	50p	Single	-	-	-	✓	✓	✓	✓	✓	✓	✓	✓	✓	✓
Video	1280 x 720	59.94p	Single	-	-	-	✓	✓	✓	✓	✓	✓	✓	✓	✓	✓
Video	1280 x 720	60p	Single	-	-	-	✓	✓	✓	✓	✓	✓	✓	✓	✓	✓
Video *1	720 x 480	59.94i	Single	-	-	-	-	-	-	-	-	-	-	-	-	-
Video *1	720 x 576	50i	Single	-	-	-	-	-	-	-	-	-	-	-	-	-
Video	1920 x 1080	23.98p	Single	-	-	-	✓	✓*A	✓*A	✓	✓*A	✓*A	✓	✓*A	✓*A	✓*A
Video	1920 x 1080	24p	Single	-	-	-	✓	✓*A	✓*A	✓	✓*A	✓*A	✓	✓*A	✓*A	✓*A
Video	1920 x 1080	25p	Single	-	-	-	-	-	-	-	-	-	-	-	-	-
Video	1920 x 1080	29.97p	Single	-	-	-	✓	✓*A	✓*A	✓	✓*A	✓*A	✓	✓*A	✓*A	✓*A
Video	1920 x 1080	30p	Single	-	-	-	✓	✓*A	✓*A	✓	✓*A	✓*A	✓	✓*A	✓*A	✓*A
Video	1920 x 1080	50p	Single	-	-	-	✓	✓*A	✓*A	✓	✓*A	✓*A	✓	✓*A	✓*A	✓*A
Video	1920 x 1080	59.94p	Single	-	-	-	✓	✓*A	✓*A	✓	✓*A	✓*A	✓	✓*A	✓*A	✓*A
Video	1920 x 1080	60p	Single	-	-	-	✓	✓*A	✓*A	✓	✓*A	✓*A	✓	✓*A	✓*A	✓*A
Video	1920 x 1080	50i	Single	-	-	-	✓	✓	✓	✓	✓	✓	✓	✓	✓	✓
Video	1920 x 1080	59.94i	Single	-	-	-	✓	✓	✓	✓	✓	✓	✓	✓	✓	✓
Video	1920 x 1080	60i	Single	-	-	-	✓	✓	✓	✓	✓	✓	✓	✓	✓	✓
Video	2560 x 1080	50p	Single	-	-	-	-	-	-	-	-	-	-	-	-	-
Video	2560 x 1080	59.94p	Single	-	-	-	-	-	-	-	-	-	-	-	-	-
Video	2560 x 1080	60p	Single	-	-	-	-	-	-	-	-	-	-	✓	-	-
Video	3840 x 2160	23.98p	Single	-	-	-	✓	✓*A	✓*A	✓	-	-	✓	-	-	-
Video	3840 x 2160	24p	Single	-	-	-	✓	✓*A	✓*A	✓	-	-	✓	-	-	-
Video	3840 x 2160	25p	Single	-	-	-	✓	✓*A	✓*A	✓	-	-	✓	-	-	-
Video	3840 x 2160	29.97p	Single	-	-	-	✓	✓*A	✓*A	✓	-	-	✓	-	-	-
Video	3840 x 2160	30p	Single	-	-	-	✓	✓*A	✓*A	✓	-	-	✓	-	-	-

Signal Information				HDMI												
Mode	Resolution	Refresh Rate [Hz]	Link	YCbCr									RGB			
				4:2:0			4:2:2			4:4:4			RGB			
				8	10	12	8	10	12	8	10	12	8	10	12	
Video	3840 x 2160	50p	Single	✓	-	-	-	-	-	-	-	-	-	-	-	-
Video	3840 x 2160	59.94p	Single	✓	-	-	-	-	-	-	-	-	-	-	-	-
Video	3840 x 2160	60p	Single	✓	-	-	-	-	-	-	-	-	-	-	-	-
Video	4096 x 2160	23.98p	Single	-	-	-	✓	✓*A	✓*A	✓	-	-	✓	-	-	-
Video	4096 x 2160	24p	Single	-	-	-	✓	✓*A	✓*A	✓	-	-	✓	-	-	-
Video	4096 x 2160	25p	Single	-	-	-	-	-	-	-	-	-	-	-	-	-
Video	4096 x 2160	29.97p	Single	-	-	-	-	-	-	-	-	-	-	-	-	-
Video	4096 x 2160	30p	Single	-	-	-	-	-	-	-	-	-	-	-	-	-
Video	4096 x 2160	50p	Single	✓	-	-	-	-	-	-	-	-	-	-	-	-
Video	4096 x 2160	59.94p	Single	✓	-	-	-	-	-	-	-	-	-	-	-	-
Video	4096 x 2160	60p	Single	✓	-	-	-	-	-	-	-	-	-	-	-	-

**• Common note**

Formats with a checkmark "✓" in 10 bit and 12 bit support "Deep Color".

**• Notes (\*1,2,3 . . . .)**

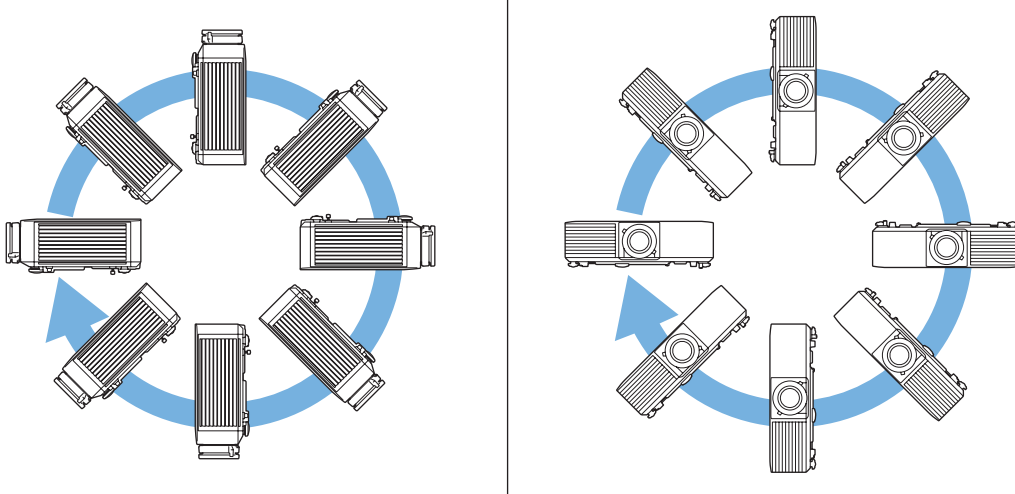
\*1 : Pixel repetition : H active is 720(1440)

**• HDR Support Information (\*A,B,C . . . .)**

	HDR Supported	Color Space	Standard
*A	HDR10,HLG	BT.2020	BT.2100

**■ Installation Angle**

You can install the projector or mount it to the ceiling at any horizontal or vertical angle.

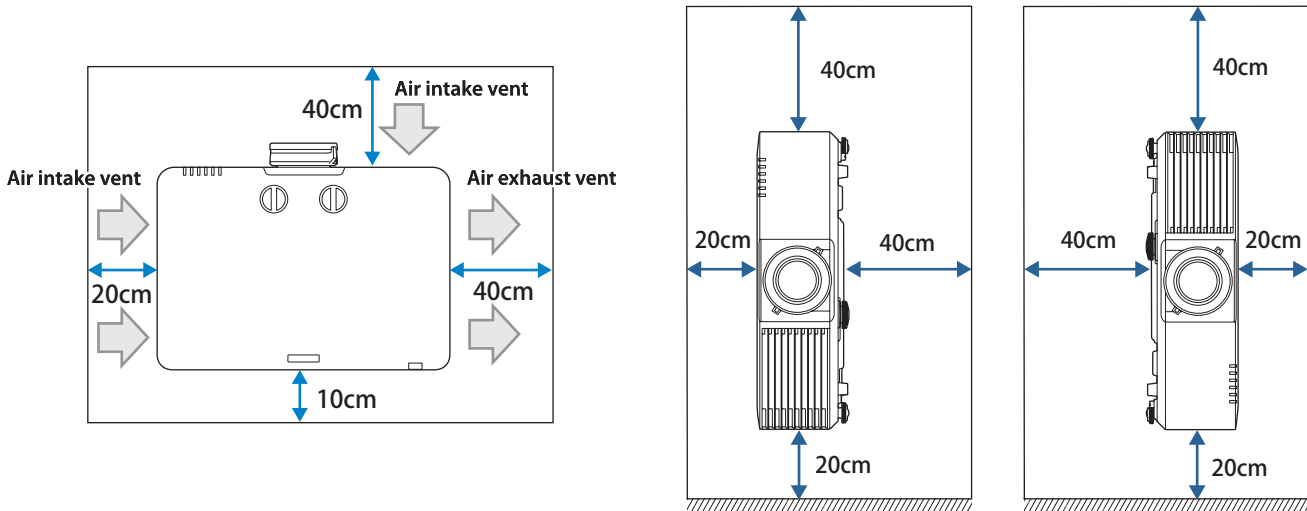


## ■ Installation Environment

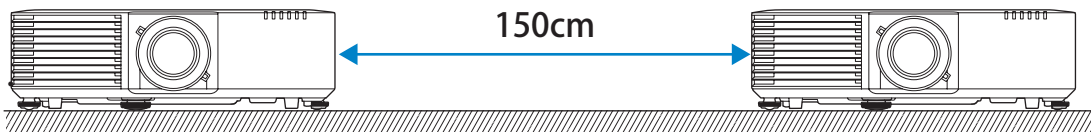
### ⚠ Warning

Do not cover the projector's air intake or air exhaust vents. If the vents are covered, the internal temperature could rise and cause a fire.

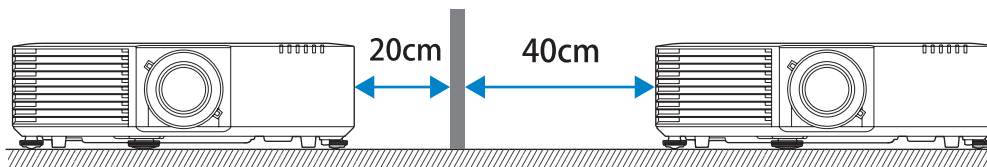
- Be sure to leave the following amount of space around the projector so as not to block the air exhaust and intake vents. Do not install the projector in an enclosed location such as a shelf or box, where air does not circulate.



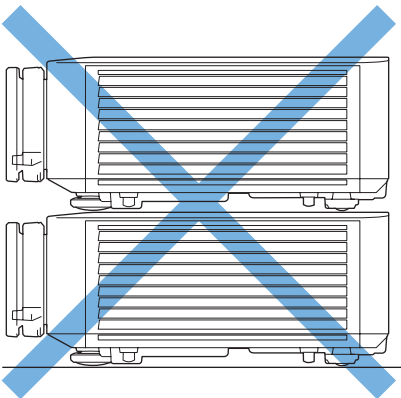
- If you are installing multiple projectors next to each other, make sure hot air from the exhaust vent does not go into the air intake vent of another projector.



- If you use a partition, you can narrow the space between the projectors.



- Do not install multiple projectors in a stacked configuration.



- A special mount is required for portrait projection. Contact a specialist to help you prepare the mount.



## ■ Monitoring and Control

The projector can be monitored and controlled using the following methods.  
For details, see the "User's Guide" supplied with the projector.

### • ESC/VP21 commands

When the projector is connected to a computer with an RS-232C cable, you can control the projector with communication commands. You can control the projector from a computer connected to the optional HDBaseT transmitter with an RS-232C cable.

### • Epson Web Control

By using the Web browser of a computer connected to the projector on a network, you can operate the projector or edit your playlists. You can also operate the projector or edit your playlists from a mobile device using the Epson iProjection (iOS/Android) app.

### • PJLink commands

PJLink was established by the JBMIA (Japan Business Machine and Information System Industries Association) as a standard protocol for controlling network-compatible projector's as part of their efforts to standardize projector control protocols.

The projector complies with the PJLink Class2 standard established by the JBMIA. From a computer connected to the projector on a network, you can control the projector with PJLink commands.

### • Epson Projector Management (Software provided by Epson)

Allows you to control multiple Epson projectors on a network. You can download Epson Projector Management from the following Web site.

<https://epson.com/>

### • Epson Projector Professional Tool (Software provided by Epson)

You can adjust the images projected by the projector and monitor the status of the projector over a network. You can download Epson Projector Professional Tool from the following Web site.

<https://epson.com/>

### • Crestron Connected

This is an integrated control system provided by Crestron. You can monitor and control multiple connected to the network all at once. For more information on Crestron Connected, visit the Crestron website.

<https://www.crestron.com/Products/Crestron-Connected-Devices>

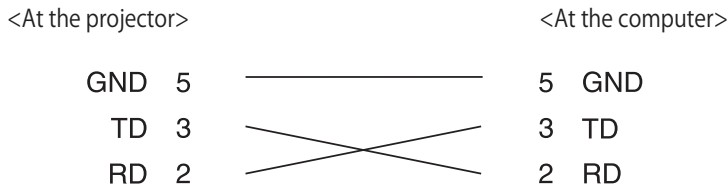
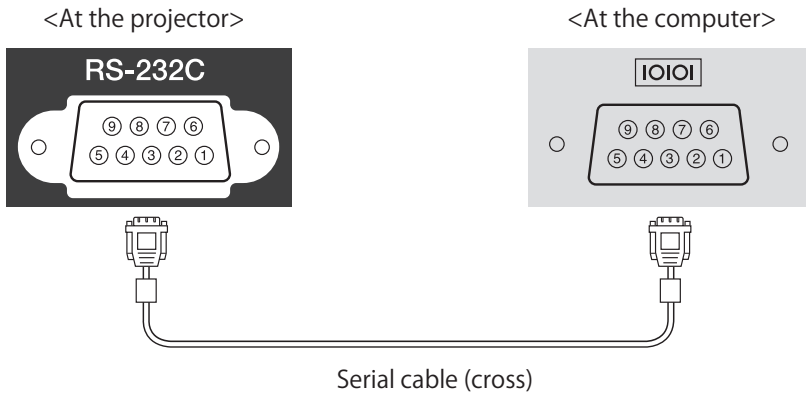
### • Web API

You can control the projector by Web API communication using API authentication (Digest authentication).

For details, see the "Web API Specifications for Projectors" on the following website.

<https://support.epson.net/setupnavi/>

## Serial Connection



### <Serial port specifications>

Connector shape: D-Sub 9-pin (male)

Projector input port name: RS-232C

### <Communication specifications>

- Default baud rate setting: 9600 bps
- Data length: 8 bit
- Parity: None
- Stop-bit: 1 bit
- Flow control: None

## ESC/VP21 Command List

When the power on command is transmitted to the projector, the power turns on and it enters warm-up mode. When the projector's power has turned on, a colon ":" (3Ah) is returned.

When a command is input, the projector executes the command and returns a ":", and then accepts the next command.

If the command being processed terminates abnormally, an error message is output and a ":" is returned.

### Function classification: Start/Stop

Function	Command	Epson Web Control Setting Availability	Setting Value/Response Value
Power on	PWR ON	✓	-
Power off	PWR OFF	✓	-
Power status query	PWR?	✓	-
	Return code		00: Standby condition 01: Normal status 02: Warm-up status 03: Cooling status 04: Network monitoring status /communication standby 05: Error standby status 09: A/V Standby

## Function classification: Operation

Function	Command	Epson Web Control Setting Availability	Setting Value/Response Value
Key operation	KEY x1	✓	Control panel 01: Power 03: Menu 05: ESC 16: Enter 35: Up 36: Down 37: Left 38: Right 48: Source Search 15: A/V Mute  Remote control 3B: Power A1: Power ON 6C: Power OFF 3C: Menu 30: Home/Help 3D: ESC 49: Enter 58: Pointer Top 59: Pointer Bottom 5A: Pointer Left 5B: Pointer Right 67: Source Search 4D: HDMI 8A: LAN 85: USB 47: Freeze 28: E-Zoom+ 29: E-Zoom- 3E: A/V Mute(Blank) 3F: Color Mode 20: Aspect 56: Volume+ 57: Volume- 84: User 88: Default 8F: ID A0: Split

## Function classification: Projection screen adjustment

Function	Command	Epson Web Control Setting Availability	Setting Value/Response Value
V-Keystone Settings/Acquire settings	VKEYSTONE x1	✓	-
	VKEYSTONE?	✓	-
	Parameter/Return code		0-255 INIT/INC/DEC (settings only)
H-Keystone Settings/Acquire settings	HKEYSTONE x1	✓	-
	HKEYSTONE?	✓	-
	Parameter/Return code		0-255 INIT/INC/DEC (settings only)
V-Balance Settings/Acquire settings	VBALANCE x1	✓	-
	VBALANCE?	✓	-
	Parameter/Return code		0-255 INIT/INC/DEC (settings only)
H-Balance Settings/Acquire settings	HBALANCE x1	✓	-
	HBALANCE?	✓	-
	Parameter/Return code		0-255 INIT/INC/DEC (settings only)

Function	Command	Epson Web Control Setting Availability	Setting Value/Response Value
Quick Corner Coordinate Settings/Acquire settings	QC x1 x2 x3 x4 x5 x6 x7 x8	✓	-
	Parameter		x1-x8: -4999 to 5000 Specify in the order: top left (x, y), top right (x,y), bottom right (x, y), bottom left (x, y)
	QC?	✓	-
	Return code		-4999 to 5000 Coordinates (x, y) for 4 points are divided into 4 lines and responded
Quick Corner Vector Settings	QCV x1 x2 x3 x4 x5 x6 x7 x8	✓	-
	Parameter		x1-x8: -99 to 99 Specify in the order: top left (x, y), top right (x,y), bottom right (x, y), bottom left (x, y)
Quick Corner Coordinate Shift	QCMV control direction movement	✓	-
	Parameter		control: QC control location specifications 01: Top left control 02: Top right control 03: Bottom right control 04: Bottom left control INIT (settings only)  direction: Direction specifications 01: Move up 02: Move down 03: Move left 04: Move right  movement: Amount of movement specifications Only INC is enabled (settings only)
Keystone/screen correction method settings/acquisition	CORRECTMET x1	✓	-
	CORRECTMET?	✓	-
	Parameter/Return code		00: Off 01: H/V-Keystone 02: Quick Corner correction 03: Point Correction 04: Curved Surface Correction 05: Corner Wall Correction
Geometry Correction Load Memory	POPGC x1	✓	-
	Parameter		01: Memory 1 02: Memory 2 03: Memory 3
Geometry Correction Save Memory	PUSHGC x1	✓	-
	Parameter		01: Memory 1 02: Memory 2 03: Memory 3
Geometry Correction Erase Memory	ERASEGC x1	✓	-
	Parameter		00: ALL (Geometry Correction Reset Memory Settings) 01: Memory 1 02: Memory 2 03: Memory 3
Geometry Correction Rename/Acquire Memory	NAMEGC x1 x2	✓	-
	Parameter		x1 Memory No. 01: Memory 1 02: Memory 2 03: Memory 3  x2 Custom name (ASCII code)
	NAMEGC? x1	✓	-
	Parameter		Same as first parameter for NAMEGC
	Return code		Same as second parameter for NAMEGC

Function	Command	Epson Web Control Setting Availability	Setting Value/Response Value
Aspect settings/Acquire settings	ASPECT x1	✓	-
	ASPECT?	✓	-
	Parameter/Return code		When screen type is set to 4:3 10: 4:3 20: 16:9 30: Auto 50: H-Zoom 60: Native A0: V-Zoom INIT (settings only)
			When screen type is set to 16:9 30: Auto 40: Full 50: H-Zoom 60: Native A0: V-Zoom INIT (settings only)
		When screen type is set to 16:10 20: 16:9 30: Auto 40: Full 50: H-Zoom 60: Native A0: V-Zoom INIT (settings only)	
		When screen type is set to 16:6 30: Auto 40: Full INIT (settings only)	
		When selected <Auto> (acquire only) x1: Mode x2: Auto parameters (fixed at 30)	
Screen Type Settings/Acquire settings	SCFORMAT mode param	✓	-
	SCFORMAT? mode	✓	-
	Parameter/Return code		mode: Settings Mode 01: Screen Type Settings 02: Screen Position Settings INIT (settings only)
		param: Value (mode = 01) 01: 4:3 02: 16:9 03: 16:10 04: 16:6 05: 21:9	
		param: Value (mode = 02) C19 to 000 to 3E7	
Brightness Control/Light Source Mode Settings/Acquire settings	LUMINANCE x1	✓	-
	LUMINANCE?	✓	-
	Parameter/Return code		00: Normal 01: Quiet 04: Extended 05: Custom INIT (settings only)
Brightness Level Settings/Acquire settings	LUMLEVEL level	✓	-
	LUMLEVEL?	✓	-
	Parameter/Return code		0-255 INIT/INC/DEC (settings only)
(Brightness) Set/Acquire Constant Brightness	LUMCONST x1	✓	-
	LUMCONST?	✓	-
	Parameter/Return code		00: Off 01: On

Function	Command	Epson Web Control Setting Availability	Setting Value/Response Value
Overscan Settings/Acquire settings	OVSCAN x1	✓	-
	OVSCAN?	✓	-
	Parameter/Return code		00: Off 02: 4% 04: 8% A0: Auto INIT (settings only)

INC: Increase the setting value/DEC: Decrease the setting value/INIT: Return to defaults

### Function classification: Source Select/Signal Status settings

Function	Command	Epson Web Control Setting Availability	Setting Value/Response Value
Source Select/Acquire	SOURCE x1	✓	30: HDMI1 A0: HDMI2 80: HDBaseT 52: USB 53: LAN
	SOURCE?	✓	30: HDMI1 A0: HDMI2 80: HDBaseT 52: USB 53: LAN
Auto Source Search	AUTOSEARCH x1	✓	-
	AUTOSEARCH?	✓	-
	Parameter/Return code		00: Off 01: On

INC: Increase the setting value/DEC: Decrease the setting value/INIT: Return to defaults

### Function classification: Image adjustment

Function	Command	Epson Web Control Setting Availability	Setting Value/Response Value
Brightness Settings/Acquire settings	BRIGHT x1	✓	-
	BRIGHT?	✓	-
	Parameter/Return code		0-255 INIT/INC/DEC (settings only)
Contrast Settings/Acquire settings	CONTRAST x1	✓	-
	CONTRAST?	✓	-
	Parameter/Return code		0-255 INIT/INC/DEC (settings only)
Color Saturation Settings/Acquire settings	DENSITY x1	✓	-
	DENSITY?	✓	-
	Parameter/Return code		0-255 INIT/INC/DEC (settings only)
Tint Settings/Acquire settings	TINT x1	✓	-
	TINT?	✓	-
	Parameter/Return code		0-255 INIT/INC/DEC (settings only)
Sharpness Settings/Acquire settings	SHARP x1 x2	✓	-
	Parameter		x1: Adjustment value 0-255 INC/DEC/INIT x2: Specify specific range 00: Standard (optional) 01: Thin Line Enhancement 02: Thick Line Enhancement
	SHARP? x1	✓	-
	Parameter		See the 2nd parameters for SHARP command
	Return code		0-255
Color Temp. Settings/Acquire settings	CTEMP x1	✓	-
	CTEMP?	✓	-
	Parameter/Return code		Color Temp. 0-255 INIT/INC/DEC (settings only)

Function	Command	Epson Web Control Setting Availability	Setting Value/Response Value
Skin color (G-M Correction) Settings/Acquire settings	FCOLOR x1	✓	-
	FCOLOR?	✓	-
	Parameter/Return code		0-255 INIT/INC/DEC (settings only)
Color Mode Settings/Acquire settings	CMODE x1	✓	-
	CMODE?	✓	-
	Parameter/Return code		04: Presentation 06: Dynamic 07: Natural 0E: BT.709 0F: DICOM SIM 15: Cinema 1A: Multi-Projection INIT (settings only)
Noise Reduction Settings/Acquire settings	NRS x1	✓	-
	Parameter		0-255 INIT/INC/DEC
	NRS?	✓	-
	Return code		0-255
MPEG Noise Reduction	MPEGNRS x1	✓	-
	MPEGNRS?	✓	-
	Parameter/Return code		00: Off 01: Low 02: Normal 03: High
Red Offset Settings/Acquire settings Green Offset Settings/Acquire settings Blue Offset Settings/Acquire settings	OFFSETR x1	✓	-
	OFFSETR?	✓	-
	Parameter/Return code		0-255 INIT/INC/DEC (settings only)
	OFFSETG x1	✓	-
	OFFSETG?	✓	-
	Parameter/Return code		0-255 INIT/INC/DEC (settings only)
	OFFSETB x1	✓	-
	OFFSETB?	✓	-
Parameter/Return code		0-255 INIT/INC/DEC (settings only)	
Red Gain Settings/Acquire settings Green Gain Settings/Acquire settings Blue Gain Settings/Acquire settings	GAINR x1	✓	-
	GAINR?	✓	-
	Parameter/Return code		0-255 INIT/INC/DEC (settings only)
	GAING x1	✓	-
	GAING?	✓	-
	Parameter/Return code		0-255 INIT/INC/DEC (settings only)
	GAINB x1	✓	-
	GAINB?	✓	-
Parameter/Return code		0-255 INIT/INC/DEC (settings only)	
Gamma Settings/Acquire settings	GAMMA x1	✓	-
	GAMMA?	✓	-
	Parameter/Return code		17: Setting 5 / Gamma 1.7 18: Setting 4 / Gamma 1.8 19: Setting 3 / Gamma 1.9 20: Setting 2 / Gamma 2.0 21: Setting 1 / Gamma 2.1 22: Setting 0 / Gamma 2.2 23: Setting-1 / Gamma 2.3 24: Setting-2 / Gamma 2.4 25: Setting-3 / Gamma 2.5 26: Setting-4 / Gamma 2.6 27: Setting-5 / Gamma 2.7 F0: Custom INIT (settings only)

Function	Command	Epson Web Control Setting Availability	Setting Value/Response Value
Gamma Color Tone Settings/ Acquire settings	GAMMALV x1 x2	✓	-
	Parameter		x1: Color Tone 00-08 Gradient 1 to Gradient 9 x2: Adjustment Number 0-255 INC/ DEC
	GAMMALV? x1	✓	-
	Parameter		See the first parameter of the GAMMALV command.
	Return code		0-255
RGBCMY Settings/Acquire settings	AXESADJ x1 x2 x3 x4	✓	-
	Parameter		x1: Color 01: R 02: G 03: B 04: C 05: M 06: Y 90: ALL x2: Hue 0-255 x3: Saturation 0-255 x4: Brightness 0-255 INIT
	AXESADJ?	✓	-
	Return code		0-255 Returns the hue, saturation, and brightness of each color in the order R, G, B, C, M, Y.
Multi-screen Color Matching Settings/ Acquire settings	MULSCR x1 x2 x3	✓	-
	Parameter		x1: Adjustment type 01: Pattern Guide 05: Color Correct R 06: Color Correct G 07: Color Correct B 08: Color Correct (RGB Batch) INIT  x2: Level Settings 00: Off (x1 = 01 only) 01 to 08: Level 1 to Level 8 FF: All  x3: Adjustment value (except x1 = 01) 0-255 INIT/INC/DEC  [x3]: type (except x1 = 01 & x2 = 00) 00: Tone Pattern 01: Blend Pattern
	MULSCR? x1	✓	-
	Parameter		x1: Adjustment type 01: Pattern Guide 05: Color Correct R 06: Color Correct G 07: Color Correct B
	Return code		Responds to the settings or level value for each level of the specified adjustment type. Level value: 00-08, FF Adjustment value 000-255
Load Memory	POPMEM x1 x2	✓	-
	Parameter		x1 Memory Type 02: Advanced x2 Memory No. 01: Memory 1 (1st) : 0A: Memory 10 (10th)
Save Memory	PUSHMEM x1 x2	✓	-
	Parameter		x1 Memory Type 02: Advanced x2 Memory No. 01: Memory 1 (1st) : 0A: Memory 10 (10th)



Function	Command	Epson Web Control Setting Availability	Setting Value/Response Value
Erase Memory	ERASEMEM x1 x2	✓	-
	Parameter		x1 Memory Type 00: ALL 02: Advanced x2 Memory No. 01: Memory 1 (1st) : 0A: Memory 10 (10th)
Acquire color adjustment method settings	CSEL?	✓	-
	Return code		07: RGB/RGBCMY
4K Enhancement Settings/ Acquire setting	4KENHANCE xx	✓	-
	4KENHANCE?	✓	-
	Parameter/Return code		00: Off 01: Full HD 02: WUXGA+
Image Enhancement Preset Settings/Acquire	IMGPRESET x1	✓	-
	IMGPRESET?	✓	-
	Parameter/Return code		00: Off 01: Preset 1 02: Preset 2 03: Preset 3 04: Preset 4 05: Preset 5 INIT (settings only)
Super-resolution: Fine Line Adjust Settings/Acquire settings	SHRF x1	✓	-
	SHRF?	✓	-
	Parameter/Return code		0-255 INC/DEC/INIT
Super-resolution: Soft Focus Detail Settings/Acquire settings	SHRS x1	✓	-
	SHRS?	✓	-
	Parameter/Return code		0-255 INC/DEC/INIT
Detail Enhancement: Range Settings/Acquire	DERANGE x1	✓	-
	Parameter		0-255 INC/DEC/INIT
	DERANGE? Return code	✓ -	- 0-255
Detail Enhancement: Strength Settings/Acquire	DESTRENGTH x1	✓	-
	Parameter		0-255 INC/DEC/INIT
	DESTRENGTH? Return code	✓ -	- 0-255
(HDR) Color Space Settings/ Acquire settings	CLRSPACE x1	✓	-
	CLRSPACE?	✓	-
	Parameter/Return code		00: Auto 01: BT.709 02: BT.2020
(HDR) Dynamic Range Settings/Acquire settings	DYNRANGE x1	✓	-
	DYNRANGE?	✓	-
	Parameter/Return code		00: Auto 01: SDR 20: HDR10 30: HLG
HDR PQ Settings/Acquire settings	HDRPQ x1	✓	-
	HDRPQ?	✓	-
	Parameter/Return code		01-16: HDR10 Mode
HDR HLG Settings/Acquire settings	HDRHLG x1	✓	-
	HDRHLG?	✓	-
	Parameter/Return code		01-16: HLG Mode
Scene Adaptive Gamma Settings/Acquire settings	SCENEGAMMA x1	✓	-
	SCENEGAMMA?	✓	-
	Parameter/Return code		0-255 INIT/INC/DEC (settings only)

INC: Increase the setting value/DEC: Decrease the setting value/INIT: Return to defaults

### Function classification: Audio

Function	Command	Epson Web Control Setting Availability	Setting Value/Response Value
Volume Settings/Acquire settings	VOL x1	✓	-
	VOL?	✓	-
	Parameter/Return code		0-255 INIT/INC/DEC (settings only)
A/V Settings/Acquire settings	AVOUT x1	✓	-
	AVOUT?	✓	-
	Parameter/Return code		00: While Projecting (NW Standby) 01: Always On (AV Standby) INIT (settings only)

INC: Increase the setting value/DEC: Decrease the setting value/INIT: Return to defaults

### Function classification: Additional functions

Function	Command	Epson Web Control Setting Availability	Setting Value/Response Value
Execute or Release A/V Mute/Acquire status	MUTE x1	✓	-
	MUTE?	✓	-
	Parameter/Return code		ON: Execute A/V Mute OFF: Release A/V Mute INIT(settings only)
Execute or Release Freeze/Acquire status	FREEZE x1	✓	-
	FREEZE?	✓	-
	Parameter/Return code		ON: Execute Freeze OFF: Release Freeze INIT(settings only)

INC: Increase the setting value/DEC: Decrease the setting value/INIT: Return to defaults

### Function classification: Configuration

Function	Command	Epson Web Control Setting Availability	Setting Value/Response Value
Horizontal Reverse Settings/Acquire settings	HREVERSE x1	✓	-
	HREVERSE?	✓	-
	Parameter/Return code		ON: Horizontal Reverse status OFF: Normal INIT (settings only)
Vertical Reverse Settings/Acquire settings	VREVERSE x1	✓	-
	VREVERSE?	✓	-
	Parameter/Return code		ON: Vertical Reverse status OFF: Normal INIT (settings only)
Reset All Config	INSTALL	✓	-
Reset All (Factory Default)	INITFACTORY x1	✓	-
	Parameter		x1: Reset Password
Communication Speed Settings/Acquire settings	SPEED x1	-	-
	Parameter		00: 9600bps 01: 19200bps 02: 38400bps 03: 57600bps INIT
	SPEED?	-	-
	Return code		00: 9600bps 01: 19200bps 02: 38400bps 03: 57600bps
Projector ID Settings/Acquire settings	PROJID x1	✓	-
	PROJID?	✓	-
	Parameter/Return code		00: Off 01-09: ID1-ID9 INIT (settings only)

Function	Command	Epson Web Control Setting Availability	Setting Value/Response Value
Air Filter Notice Settings/Acquire settings	FLCLENOT x1	✓	-
	FLCLENOT?	✓	-
	Parameter/Return code		00: No Air Filter Notice 01: Use Air Filter Notice INIT (settings only)
Illumination/ Indicator Settings	ILLUM x1	✓	-
	ILLUM?	✓	-
	Parameter/Return code		00: Off 01: On INIT (settings only)
Inv Direction Button Settings/Acquire settings	KREVERSE x1	✓	-
	KREVERSE?	✓	-
	Parameter/Return code		10: Release the projector's Inv Direction Button and turn off the setting 11: Execute the projector's Inv Direction Button and turn on the setting INIT (settings only)
Menu Display Position Settings/Acquire settings	MENUDISP mode param	✓	-
	MENUDISP? mode	✓	-
	Parameter/Return code		mode: Specify Setting Mode 01: Menu Position param=01: Menu Position 00: Center 01: Center Left 02: Top Left 03: Top Center 04: Top Right 05: Center Right 06: Bottom Right 07: Bottom Center 08: Bottom Left INIT (settings only)
Message Display Position Settings/Acquire settings	MSGPOS x1	✓	-
	MSGPOS?	✓	-
	Parameter/Return code		00: Center 01: Center Left 02: Top Left 03: Top Center 04: Top Right 05: Center Right 06: Bottom Right 07: Bottom Center 08: Bottom Left
On Screen Settings	ONSCREEN x1	✓	-
	ONSCREEN?	✓	-
	Parameter/Return code		00: Off (do not display the OSD) 01: On (display the OSD)
OSD Rotation Settings	OSDROTATE x1	✓	-
	OSDROTATE?	✓	-
	Parameter/Return code		00: Off 01: Right 90 Degree 02: Left 90 Degree
HDBaseT Settings/Acquire settings	HDBASET mode	✓	-
	HDBASET?	✓	-
	Parameter/Return code		00: Off 01: On INIT (settings only)
Startup Source Settings/Acquire settings	STSOURCE mode	✓	-
	STSOURCE?	✓	-
	Parameter/Return code		00: Last Source 30: HDMI1 52: USB 53: LAN 80: HDBaseT A0: HDMI2

Function	Command	Epson Web Control Setting Availability	Setting Value/Response Value
Quick Startup Mode Settings/Acquire	FASTBOOT x1	✓	-
	FASTBOOT?	✓	-
	Parameter/Return code		00: Off 01: 20 min. 02: 60 min. 03: 90 min.
Refresh Mode Settings/Acquire	REFRESHTIME x1	✓	-
	REFRESHTIME?	✓	-
	Parameter/Return code		01: 1 hour 0D: 13 hours 02: 2 hours 0E: 14 hours 03: 3 hours 0F: 15 hours 04: 4 hours 10: 16 hours 05: 5 hours 11: 17 hours 06: 6 hours 12: 18 hours 07: 7 hours 13: 19 hours 08: 8 hours 14: 20 hours 09: 9 hours 15: 21 hours 0A: 10 hours 16: 22 hours 0B: 11 hours 17: 23 hours 0C: 12 hours 18: 24 hours
Refresh Mode Start	REFRESH	✓	-
Refresh Mode Executing Messages Settings/Acquire	REFRESHMSG x1	✓	-
	REFRESHMSG?	✓	-
	Parameter/Return code		00: Hide Messages 01: Messages
Batch Setup Range Settings/Acquire	BARANGE x1	✓	-
	BARANGE?	✓	-
	Parameter/Return code		00: All 01: Limited
Light Source Calibration Start (Run Now)	LTCALB	✓	-
Auto Light Source Calibration Settings/Acquire (Run Periodically)	AUTOLTALB x1	✓	-
	AUTOLTALB?	✓	-
	Parameter/Return code		00: Off 01: On (Run Periodically) INIT (settings only)
Light Source Calibration Last Run Acquire	LASTLTCALB?	✓	-
	Return code		yyyyMMddHHmm (Year, Month, Date, Hour, Minute)  2000 to 2099: yyyy 01 to 12: MM 01 to 31: dd 00 to 23: HH 00 to 59: mm
USB Power in Standby Settings/Acquire settings USB Power Settings/Acquire settings	USBSUPPLY x1	✓	-
	USBSUPPLY?	✓	-
	Parameter/Return code		00: On when projecting 01: Always On

INC: Increase the setting value/DEC: Decrease the setting value/INIT: Return to defaults

### Function classification: Home Screen

Function	Command	Epson Web Control Setting Availability	Setting Value/Response Value
Home Screen Auto Disp.	AUTOHOME x1	✓	-
	AUTOHOME?	✓	-
	Parameter/Return code		00: Off (do not display automatically) 01: On (display automatically)
Home Screen Custom Function Settings/Acquire	HFUNC x1 x2	✓	-
	HFUNC? x1	✓	-
	Parameter/Return code		x1 Custom target 01: Custom Function 1 02: Custom Function 2 x2 Assigned functions 02: Test Pattern 03: Network settings 07: Geometry Correction 08: Info 0B: Image Enhancement 0D: Split Screen

INC: Increase the setting value/DEC: Decrease the setting value/INIT: Return to defaults

### Function classification: Network

Function	Command	Epson Web Control Setting Availability	Setting Value/Response Value
AMX DDDP BeaconMessage Acquire	AMX	-	-
	Return code		*The response format follows the AMX specifications. AMXB<-SDKClass=VideoProjector> <-GUID=EPSON_EMP001><-Revision=1.0.0>
AMX DDDP IP BeaconMessage Status settings/Acquire status	AMXDDDP x1	✓	-
	AMXDDDP?	✓	-
	Parameter/Return code		00: Stop sending BeaconMessage 01: Start sending BeaconMessage INIT (settings only)
Extron XTP Settings/Acquire	XTP x1	✓	-
	XTP?	✓	-
	Parameter/Return code		00: Off 01: On
Wireless Mode	WLPWR x1	✓	-
	WLPWR?	✓	-
	Parameter/Return code		00: Off 01: Wireless LAN On

INC: Increase the setting value/DEC: Decrease the setting value/INIT: Return to defaults

### Function classification: Provide Information

Function	Command	Epson Web Control Setting Availability	Setting Value/Response Value
Acquire Lamp Hours	LAMP?	✓	-
	Return code		LAMP=x1 x1: Lamp (Laser) On Hours
Acquire Operation Hours	ONTIME?	✓	-
	Return code		ONTIME=x1 x1: Operation Hours
Acquire Signal Status	SIGNAL?	✓	-
	Return code		00: No signal 01: Signal FF: Unsupported signal
Acquire Source List Information	SOURCELIST?	✓	-
	Return code		30: HDMI1 A0: HDMI2 80: HDBaseT 52: USB 53: LAN

Function	Command	Epson Web Control Setting Availability	Setting Value/Response Value
Acquire Source List Information (All sources)	SOURCELISTA?	✓	-
	Return code		30: HDMI1 A0: HDMI2 80: HDBaseT 52: USB 53: LAN
Log Save Destination	LOGTO x1	✓	-
	LOGTO?	✓	-
	Parameter/Return code		00: Internal memory 01: USB and internal memory
Acquire External Camera Status	EXTCAMERASTS?	✓	-
	Return code		Normal: Normal status None: Camera is not connected Error01: Camera Error 1

INC: Increase the setting value/DEC: Decrease the setting value/INIT: Return to defaults

## PJLink Command List

See the following for more information on controlling the projector from a computer using PJLink protocols.

Function	Command	Setting Value/Response Value	Content	Notes	
Power control instruction	POWR	0	Power-off (Standby)		
		1	Power-on (Light source on)		
Power status query	POWR ?	0	Power-off (Standby)		
		1	Power-on (Light source on)		
		2	Cooling status		
		3	Warm-up status		
Input switch instruction Input source query	INPT INPT ?	32	HDMI1		
		33	HDMI2		
		41	USB		
		52	LAN		
		56	HDBaseT		
Input toggling list query	INST ?	32	HDMI1	Displays a list of the available input sources of the projector.	
		33	HDMI2		
		41	USB		
		52	LAN		
		56	HDBaseT		
Error status query	ERST ?	First character	2	Fan Error	"0" is displayed when no error has occurred.
		Second character	2	Laser error Laser on error	
		Third character	1	High Temp Warning	
			2	Temperature error	
		Fourth character	0	Cover open (Does not apply to model being used.)	
		Fifth character	1	No air filter warning Filter warning	
			2	Filter error	
A/V Mute status query	AVMT ?	30	A/V mute off		
		31	A/V mute on		
Number of light source operating hours, light source status query	LAMP ?	First number (1 to 5)	0 to 99999	Laser operation hours	
		Second number	0	Laser off	
			1	Laser on	
Projector name query	NAME ?	-	Projector Name	Displays the name set in [Network] - [Network Settings] - [Projector Name] in the projector's menu.	
Manufacture name information query	INF1 ?	EPSON	Manufacture name		

Function	Command	Setting Value/ Response Value	Content	Notes
Model name information query	INF2 ?	EPSON L775U/L770U	EB-L775U/EB-L770U	
		EPSON L570U	EB-L570U	
Class information query	CLSS ?	2	Class information	
Serial number query	SNUM ?	11 digit numbers	Serial number of projector being used	
Software version query	SVER ?	-	Firmware version of projector being used	
Input port name query	INNM ?xx	(Source name)		xx is a 2 digit number used in the input toggling list query.
Input signal resolution query	IRES ?	(Horizontal resolution) x (Vertical resolution)		
Panel resolution query	RRES ?	(Horizontal resolution) x (Vertical resolution)	Panel resolution of your projector	The value may vary depending on the [Screen Type] setting in the projector's menu.
Filter operation hours query	FILT ?	0		
Filter replacement model query	RFIL ?	ELPAF56	Air filter model of your projector	
Speaker volume	SVOL	0	Lowers the volume by 1 level.	
		1	Increases the volume by 1 level.	
Static function setting	FREZ	0	Release Freeze	
		1	Enable Freeze	
Static status query	FREZ ?	0	Freeze off	
		1	Freeze on	

- The password for PJLink is set in [Network] - [Basic] - [PJLink Password] from the projector's menu. If you do not want to use a password, leave [PJLink Password] blank.
- PJLink is a trademark applied for registration or is already registered in Japan, the United States of America and other countries and areas.

## ■ Image Quality Maintenance

### Clearing Afterimages (Refresh Mode)

If you project still images for an extended period of time, an afterimage may remain in the projected image. Use the Refresh Mode feature to clear it.

To use the effect functions, make sure you perform Refresh Mode regularly.

To perform Refresh Mode, select [Refresh Mode] from the projector's [Reset] menu. After performing Refresh Mode, the power turns off after a set time has passed.

If the afterimage remains after performing Refresh Mode, contact Epson for help.

### Adjusting Color Balance (Light Source Calibration)

By performing light source calibration, the difference between the white balance and the brightness level for the light source is corrected.

We recommend performing light source calibration periodically.

To perform light source calibration, select [Light Source Calibration] from the projector's [Reset] menu.

Select one of the following [Light Source Calibration] options.

Projection is temporarily interrupted while light source calibration is being performed.

- [Run Now]

Starts light source calibration immediately. You may not be able to start the calibration in the following situations.

- Within 20 minutes of turning on the projector.
- When the environmental temperature is high and the brightness of the light source is automatically reduced.

- [Run Periodically]

Set to [On] to perform light source calibration periodically every 100 hours of usage.

Set to [Off] to prevent light source calibration from starting unexpectedly while projecting images.

Set to [Off] to maintain the projected image that was adjusted using multi-projection.

Light source calibration will not start automatically in the following cases:

- Within 20 minutes of turning on the projector.
- When the environmental temperature is high and the brightness of the light source is automatically reduced.
- When using direct shutdown
- When the projector has been in use for more than 24 hours

- [Schedule Settings]

Moves to the Schedule Settings screen.

You can schedule periodic light source calibration events.

When [Run Periodically] is set to [Off] or when using the projector continuously for 24 hours or more, performing Schedule Settings is recommended.

- [Last Run]

Displays the last date and time when light source calibration was performed.

You can schedule periodic light source calibration events in by setting [Schedule Settings] from [Reset] menu.

Set this option when you set [Run Periodically] to [Off].

## ■ Cautions

1. The copyright for this guide is owned by the Seiko Epson Corporation. No part of this document may be reproduced, stored in a retrieval system, or transmitted in any form or by any means, electronic, mechanical, photocopying, recording, or otherwise, without the prior written permission of Seiko Epson Corporation.
2. This guide is only to be used as instruction guide for projector products.

## ■ Getting the Latest Version of the Documents


You can get the latest version of the manuals and specifications on the Epson Web site.

Visit [epson.sn](http://epson.sn), and enter your model name.



## ■ Trademarks

EPSON is a registered trademark, EXCEED YOUR VISION and its logos are registered trademarks or trademarks of Seiko Epson Corporation.

HDMI, the HDMI Logo and High-Definition Multimedia Interface are trademarks or registered trademarks of HDMI Licensing Administrator, Inc. 

PJLink trademark is a trademark applied for registration or is already registered in Japan, the United States of America and other countries and areas.

Crestron®, Crestron Connected®, Crestron Fusion®, Crestron Control®, and Crestron RoomView® are registered trademarks of Crestron Electronics, Inc.

HDBaseT™ and the HDBaseT Alliance logo are trademarks of the HDBaseT Alliance.

Other product names used herein are also for identification purposes only and may be trademarks of their respective owners. Epson disclaims any and all rights in those marks.

## ■ Copyright Notice

All rights reserved. No part of this publication may be reproduced, stored in a retrieval system, or transmitted in any form or by any means, electronic, mechanical, photocopying, recording, or otherwise, without the prior written permission of Seiko Epson Corporation. No patent liability is assumed with respect to the use of the information contained herein. Neither is any liability assumed for damages resulting from the use of the information contained herein.

Neither Seiko Epson Corporation nor its affiliates shall be liable to the purchaser of this product or third parties for damages, losses, costs, or expenses incurred by the purchaser or third parties as a result of: accident, misuse, or abuse of this product or unauthorized modifications, repairs, or alterations to this product, or (excluding the U.S.) failure to strictly comply with Seiko Epson Corporation's operating and maintenance instructions.

Seiko Epson Corporation shall not be liable against any damages or problems arising from the use of any options or any consumable products other than those designated as Original Epson Products or Epson Approved Products by Seiko Epson Corporation.

The contents of this guide may be changed or updated without further notice.

Illustrations in this guide and the actual projector may differ.

## ■ Disclaimer

1. The contents of this document are subject to change without notice.
2. While every precaution has been taken in the preparation of this document, Seiko Epson Corporation assumes no responsibility for errors or omissions. Neither is any liability assumed for damages resulting from the use of the information contained herein.
3. Responsibility for use of this guide lies with the user. Seiko Epson Corporation shall not be liable to the purchaser of this guide or third parties for damages, losses, costs, or expenses incurred by the purchaser or third parties as a result of use of this guide.

**EPSON<sup>®</sup>**  
EXCEED YOUR VISION