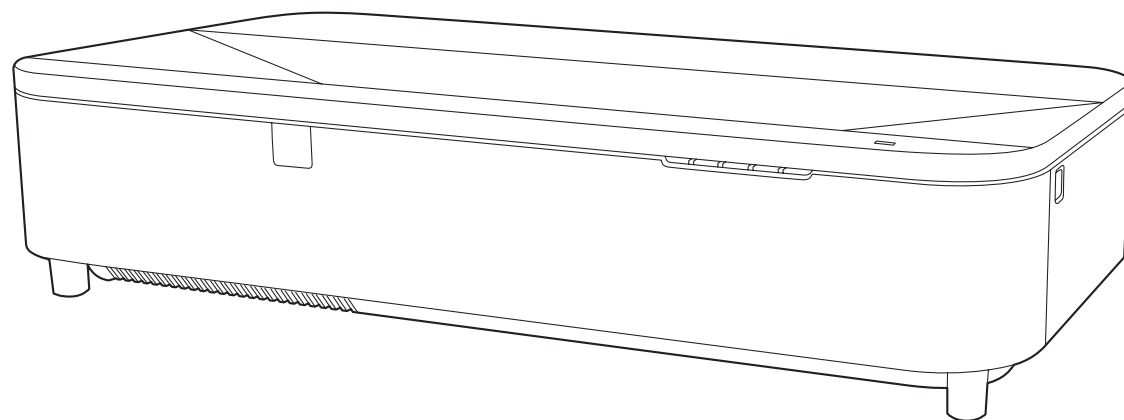


EPSON®

EB-810E ELPFP13 ELPMB22
EB-815E ELPFP14 ELPMB30
ELPMB75

Specifications



Contents

About This Document	3	Installation Specifications	16
Projector Specifications	3	Remote Control Operation (Wireless)	16
Specifications	3	Installation Position	16
Application and System Requirements	4	Projection Distance Formula	17
USB Display System Requirements.....	4	Screen Size and Projection Distance	18
Interface	5	Monitoring and Control	19
Supported Monitor Display Resolutions	6	ESC/VP21 Command List	19
HDMI / HDBaseT.....	6	PJLink Command List	27
Supported PC Free File Types	9	Class2 Command List.....	27
Wireless Channels Supported Frequency	9	Art-Net Channel Definitions	28
Built-in Wireless LAN Module, Model: WLU5630B-D101	9	Appendix	29
External Dimensions	10	Cautions	29
Projector	10	Disclaimer	29
Ceiling Mount (ELPMB22)	11		
Weight.....	11		
ELPMB22 Dimensions	11		
ELPMB22+ELPPFP13/ELPPFP14 Dimensions.....	12		
Ceiling Mount (ELPMB30)	13		
Weight.....	13		
ELPMB30 Dimensions	13		
Setting Plate (ELPMB75)	14		
Weight.....	14		
ELPMB75 Dimensions (Minimum)	14		
ELPMB75 Dimensions (Maximum)	15		

About This Document

This document contains specification information of your projector and optional accessories such as external devices and mounts. See your projector's User's Guide for more details.

Projector Specifications

This projector projects a laser display.

Specifications

Item		EB-810E / EB-815E	
Projection system		RGB liquid crystal shutter	
LCD panel	Size (diagonal)	0.62"	
	Display method	Poly-silicon TFT active matrix	
	Display resolution	4,147, 200 pixels (Pixel shifting technology achieves 4K resolution on screen.)	
	Number of pixels	Full HD (1,920 (W) ×1,080 (H) dots) ×3	
	Aspect ratio	16:9	
Projection lens	Lens	F-number	1.8
		Focal length	2.3 mm
	Zoom	System	Optical Zoom
		Method	Manual
		Ratio	1 - 1.35
	Focus	Method	Manual
	Screen size (Wide)		80" - 160"
	Throw ratio	Wide	0.16
Tele		0.22	
Light source	Type	Laser diode	
	Output power	Up to 108W	
	Wavelength	449 - 461 nm	
	Life *1	Up to about 20,000 hours (Light Source Mode: Normal or Quiet) Up to about 30,000 hours (Light Source Mode: Extended)	
Brightness/ Image quality	Brightness *2	5,000 lm (Light Source Mode: Normal) 3,500 lm (Light Source Mode: Quiet)	
	Contrast ratio*2	Over 2,500,000:1 (Dynamic Contrast: On)	
	Color reproduction	Approx. 1,070 million colors (Depends on the interface)	

Item		EB-810E / EB-815E	
Speaker	Number	2	
	Max. audio output	8 W x 8 W (Stereo)	
Power supply		100-240V AC±10% 50/60Hz 4.0 - 1.8 A	
Power consumption	Operating	100 - 120 V	398 W (Light Source Mode: Normal, Custom) 296 W (Light Source Mode: Quiet, Extended)
		220 - 240 V	380 W (Light Source Mode: Normal, Custom) 286 W (Light Source Mode: Quiet, Extended)
	Standby	Communication: On	2.0 W
		Communication: Off	0.4 W
Scanning frequency	Digital	Pixel clock	25.1 MHz - 594 MHz
		Horizontal	26 kHz - 135 kHz
		Vertical	23.98/24/25/29.97/30/50/59.94/60 Hz
Operation environment	Altitude		Altitude 0 - 3,048 m
	Temperature *3		Altitude of 0 to 2,286 m: 0 to +40°C Altitude of 2,287 to 3,048 m: 0 to +35°C (Humidity of 20 to 80%, No condensation)
	Storage temperature		-10 to +60°C (Humidity of 10 to 90%, No condensation)
	Heat output (maximum)	100 - 120 V	1353.2 BTU/Hour
		220 - 240 V	1292.0 BTU/Hour
	Fan noise *2		35 dB (Light Source Mode: Normal) 26 dB (Light Source Mode: Quiet)
	Exhaust air volume (maximum)		69.3 CFM
Wireless communication	Standard	Wireless LAN	IEEE 802.11b/g/n (2.4GHz) (DSSS/CCK, OFDM) IEEE 802.11a/n/ac (5GHz) (OFDM)
		Screen Mirroring	IEEE 802.11b/g/n (2.4GHz) (DSSS/CCK, OFDM) IEEE 802.11a/n/ac (5GHz) (OFDM)
	Security type	Wireless LAN	WPA2/WPA3-PSK, WPA2/WPA3-EAP (EAP type: PEAP/ PEAP-TLS/ EAP-TLS/ EAP-Fast)
		Screen Mirroring	WPA2/WPA3-PSK, WPA2/WPA3-EAP (EAP type: PEAP/ PEAP-TLS/ EAP-TLS/ EAP-Fast)

Item		EB-810E / EB-815E
Dimensions	Maximum	W695 x H156 x D341 mm
	Not including raised section and cable cover	W695 x H145 x D341 mm
Weight		Approx. 12.5 kg

- *1 Approximate time until the light source brightness decreases to half of its original value. (Assuming the projector is used in an atmosphere in which airborne particulate matter is less than 0.04 to 0.2mg/m³. The estimated time varies depending on the projector usage and operating conditions.)
- *2 The measurement averaged value of the entire product at the time of shipment, and is described in accordance with the JIS X6911 data projector specification format. The measurement method and measurement conditions are based on Annex 2.
- *3 Light source brightness automatically dims if the surrounding temperature gets too high. (Approximately 35°C at an altitude of 0 to 2,286 m, and approximately 30°C at an altitude of 2,287 to 3,048 m; however, this may vary depending on the surrounding environment.)

Application and System Requirements

You can use the following applications with your projector. See the following Web site to check the system requirements and download the necessary application and manuals.
epson.sn/

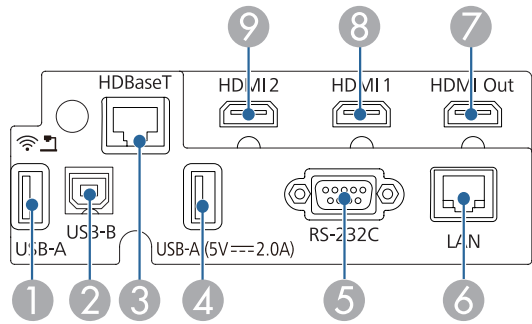
Applications	Details
USB Display	You can send video and audio output to the projector through the computer's USB port.
Epson iProjection (Windows/Mac)	You can project images from network projectors. You can project up to four images at the same time by splitting the projected screen. computer's USB port.
Epson iProjection (iOS/Android)	You can project image from your mobile devices wirelessly.
Epson iProjection (Chromebook)	You can project image from your Chromebook wirelessly.
Epson Projector Management	You can check the status of multiple networked projectors and perform various projector operations from your computer.
Epson Wireless Transmitter Settings	You can use the optional wireless presentation system to quickly connect the projector to computers wirelessly and project your image.
Epson Projector Content Manager	You can create playlists that contain images, movies, or both. You can save them on a USB memory device and play them back from projectors.
Epson Creative Projection	You can easily create original content using a wide variety of templates.

USB Display System Requirements

To use the projector's Epson USB Display software, your computer must meet the following system requirements.

Requirement	Windows	Mac
Operating system	Windows 10 <ul style="list-style-type: none"> Windows 10 Home (32- and 64-bit) Windows 10 Pro (32- and 64-bit) Windows 10 Enterprise (32- and 64-bit) Windows 11 <ul style="list-style-type: none"> Windows 11 Home (64-bit) Windows 11 Pro (64-bit) Windows 11 Enterprise (64-bit) Windows 11 Education (64-bit) 	macOS <ul style="list-style-type: none"> 10.13.x (64 bit) 10.14.x (64 bit) 10.15.x (64 bit) 11.0.x (64 bit) 12.0.x (64 bit)
CPU	Intel Core2Duo or faster (Intel Core i3 or faster recommended)	Intel Core2Duo or faster (Intel Core i5 or faster recommended)
Memory	2 GB or more (4 GB or more recommended)	
Hard disk space	20 MB or more	
Display	Resolution between 640 × 480 and 1920 × 1200 16-bit color or more	

Interface



No	Name
1	USB-A port (USBA1)
2	USB-B port
3	HDBaseT port (RJ-45)
4	USB-A (5V==2.0A) port (USB-A2)
5	RS-232C port
6	LAN port
7	HDMI Out port
8	HDMI1 port
9	HDMI2 port

Supported Monitor Display Resolutions

HDMI / HDBaseT

Signal Information				HDMI/HDBaseT												
Mode	Resolution	Refresh Rate [Hz]	Link	YCbCr									RGB			
				4:2:0			4:2:2			4:4:4						
				8	10	12	8	10	12	8	10	12	8	10	12	
PC	640 x 480	59.94p	Single	-	-	-	-	-	-	-	-	-	-	✓	-	-
PC	800 x 600	60.32p	Single	-	-	-	-	-	-	-	-	-	-	✓	-	-
PC	1024 x 768	60p	Single	-	-	-	-	-	-	-	-	-	-	✓	-	-
PC	1280 x 800	59.81p	Single	-	-	-	-	-	-	-	-	-	-	✓	-	-
PC	1280 x 960	60p	Single	-	-	-	-	-	-	-	-	-	-	✓	-	-
PC	1280 x 1024	60.02p	Single	-	-	-	-	-	-	-	-	-	-	✓	-	-
PC	1366 x 768	59.79p	Single	-	-	-	-	-	-	-	-	-	-	✓	-	-
PC	1400 x 1050	59.98p	Single	-	-	-	-	-	-	-	-	-	-	✓	-	-
PC	1440 x 900	59.89p	Single	-	-	-	-	-	-	-	-	-	-	✓	-	-
PC	1600 x 900	60p	Single	-	-	-	-	-	-	-	-	-	-	✓	-	-
PC	1600 x 1200	60p	Single	-	-	-	-	-	-	-	-	-	-	✓	-	-
PC	1680 x 1050	59.95p	Single	-	-	-	-	-	-	-	-	-	-	✓	-	-
PC	1920 x 1200	59.95p	Single	-	-	-	-	-	-	-	-	-	-	✓	-	-
PC	2048 x 1536	59.95p	Single	-	-	-	-	-	-	-	-	-	-	✓	-	-
PC	2560 x 1440	59.95p	Single	-	-	-	-	-	-	-	-	-	-	✓	-	-
PC	2560 x 1600	59.97p	Single	-	-	-	-	-	-	-	-	-	-	✓	-	-
PC	1920 x 720	60p	Single	-	-	-	-	-	-	-	-	-	-	✓	-	-
PC	1920 x 810	60p	Single	-	-	-	-	-	-	-	-	-	-	-	-	-
PC	2880 x 1080	60p	Single	-	-	-	-	-	-	-	-	-	-	✓	-	-
PC	3200 x 900	60p	Single	-	-	-	-	-	-	-	-	-	-	✓	-	-

Signal Information				HDMI/HDBaseT											
Mode	Resolution	Refresh Rate [Hz]	Link	YCbCr									RGB		
				4:2:0			4:2:2			4:4:4					
				8	10	12	8	10	12	8	10	12	8	10	12
PC	3240 x 1080	60p	Single	-	-	-	-	-	-	-	-	-	✓	-	-
PC	3440 x 1440	30p	Single	-	-	-	-	-	-	-	-	-	✓	-	-
PC	3456 x 1080	30p	Single	-	-	-	-	-	-	-	-	-	✓	-	-
PC	3456 x 1080	60p	Single	-	-	-	-	-	-	-	-	-	✓	-	-
Video	720 x 480	59.94p	Single	-	-	-	✓	✓	✓	✓	✓	✓	✓	✓	✓
Video	720 x 576	50p	Single	-	-	-	✓	✓	✓	✓	✓	✓	✓	✓	✓
Video	1280 x 720	50p	Single	-	-	-	✓	✓	✓	✓	✓	✓	✓	✓	✓
Video	1280 x 720	59.94p	Single	-	-	-	✓	✓	✓	✓	✓	✓	✓	✓	✓
Video	1280 x 720	60p	Single	-	-	-	✓	✓	✓	✓	✓	✓	✓	✓	✓
Video *1	720 x 480	59.94i	Single	-	-	-	-	-	-	-	-	-	-	-	-
Video *1	720 x 576	50i	Single	-	-	-	-	-	-	-	-	-	-	-	-
Video	1920 x 1080	23.98p	Single	-	-	-	✓	✓*A	✓*A	✓	✓*A	✓*A	✓	✓*A	✓*A
Video	1920 x 1080	24p	Single	-	-	-	✓	✓*A	✓*A	✓	✓*A	✓*A	✓	✓*A	✓*A
Video	1920 x 1080	25p	Single	-	-	-	-	-	-	-	-	-	-	-	-
Video	1920 x 1080	29.97p	Single	-	-	-	✓	✓*A	✓*A	✓	✓*A	✓*A	✓	✓*A	✓*A
Video	1920 x 1080	30p	Single	-	-	-	✓	✓*A	✓*A	✓	✓*A	✓*A	✓	✓*A	✓*A
Video	1920 x 1080	50p	Single	-	-	-	✓	✓*A	✓*A	✓	✓*A	✓*A	✓	✓*A	✓*A
Video	1920 x 1080	59.94p	Single	-	-	-	✓	✓*A	✓*A	✓	✓*A	✓*A	✓	✓*A	✓*A
Video	1920 x 1080	60p	Single	-	-	-	✓	✓*A	✓*A	✓	✓*A	✓*A	✓	✓*A	✓*A
Video	1920 x 1080	50i	Single	-	-	-	✓	✓	✓	✓	✓	✓	✓	✓	✓
Video	1920 x 1080	59.94i	Single	-	-	-	✓	✓	✓	✓	✓	✓	✓	✓	✓
Video	1920 x 1080	60i	Single	-	-	-	✓	✓	✓	✓	✓	✓	✓	✓	✓
Video	2560 x 1080	50p	Single	-	-	-	-	-	-	-	-	-	-	-	-

Signal Information				HDMI/HDBaseT												
Mode	Resolution	Refresh Rate [Hz]	Link	YCbCr									RGB			
				4:2:0			4:2:2			4:4:4						
				8	10	12	8	10	12	8	10	12	8	10	12	
Video	2560 x 1080	59.94p	Single	-	-	-	-	-	-	-	-	-	-	-	-	-
Video	2560 x 1080	60p	Single	-	-	-	-	-	-	-	-	-	-	✓	-	-
Video	3840 x 2160	23.98p	Single	-	-	-	✓	✓*A	✓*A	✓	-	-	✓	-	-	
Video	3840 x 2160	24p	Single	-	-	-	✓	✓*A	✓*A	✓	-	-	✓	-	-	
Video	3840 x 2160	25p	Single	-	-	-	✓	✓*A	✓*A	✓	-	-	✓	-	-	
Video	3840 x 2160	29.97p	Single	-	-	-	✓	✓*A	✓*A	✓	-	-	✓	-	-	
Video	3840 x 2160	30p	Single	-	-	-	✓	✓*A	✓*A	✓	-	-	✓	-	-	
Video	3840 x 2160	50p	Single	✓	-	-	-	-	-	-	-	-	-	-	-	
Video	3840 x 2160	59.94p	Single	✓	-	-	-	-	-	-	-	-	-	-	-	
Video	3840 x 2160	60p	Single	✓	-	-	-	-	-	-	-	-	-	-	-	
Video	4096 x 2160	23.98p	Single	-	-	-	✓	✓*A	✓*A	✓	-	-	✓	-	-	
Video	4096 x 2160	24p	Single	-	-	-	✓	✓*A	✓*A	✓	-	-	✓	-	-	
Video	4096 x 2160	25p	Single	-	-	-	-	-	-	-	-	-	-	-	-	
Video	4096 x 2160	29.97p	Single	-	-	-	-	-	-	-	-	-	-	-	-	
Video	4096 x 2160	30p	Single	-	-	-	-	-	-	-	-	-	-	-	-	
Video	4096 x 2160	50p	Single	✓	-	-	-	-	-	-	-	-	-	-	-	
Video	4096 x 2160	59.94p	Single	✓	-	-	-	-	-	-	-	-	-	-	-	
Video	4096 x 2160	60p	Single	✓	-	-	-	-	-	-	-	-	-	-	-	

■ Common notes

Formats with a checkmark " ✓ " in 10 bit and 12 bit support "Deep Color".

■ Notes

*1 Pixel repetition: H active is 720 (1440).

■ HDR Support Information

	HDR Supported	Color Space	Standard
*A	HDR10,HLG	BT.2020	BT.2100

Supported PC Free File Types

You can project these types of files using the projector's PC Free feature.

File type		Details
Image	JPEG	<ul style="list-style-type: none"> • RGB color • Baseline format • Resolution 8192x8192 or less • High compression rate file is not supported
	BMP	Resolution 1280x800 or less
	GIF	<ul style="list-style-type: none"> • Resolution 1280x800 or less • Interlace format and animation file are not supported
	PNG	<ul style="list-style-type: none"> • Resolution 1920x1080 or less • Interlace format is not supported
Movie	AVI (Motion JPEG)	<ul style="list-style-type: none"> • AVI1.0 only • Resolution 1280x720 or less • Size 2 GB or less • Movie Codec: Motion JPEG • Frame Rate: up to 30 fps • Audio codec: LPCM or IMA ADPCM • Audio Sampling Rate: 11.025 kHz, 16 kHz, 22.05kHz, 24 kHz, 32 kHz, 44.1 kHz, or 48 kHz
	MP4/MOV (H.264, H.265)	<ul style="list-style-type: none"> • Resolution 1920x1200 or less • Size 2 GB or less • Movie Codec: H.264/MPEG-4 AVC, H.265/MPEG-H HEVC • Frame Rate: up to 30 fps • Profile: <ul style="list-style-type: none"> • H.264/MPEG-4 AVC: Baseline Profile, Main Profile, High Profile • H.265/MPEG-H HEVC: Main Profile • Color Format: YUV420 • Single slice structure • Audio Codec: MPEG-2 AAC-LC, MPEG-4 AAC-LC, or LPCM • Audio Channel: up to 2ch (channel 2) • Audio Bit: 8 bits or 16 bits • Audio Sampling Rate: <ul style="list-style-type: none"> • MPEG-2 AAC-LC: 44.1 kHz, 48 kHz • MPEG-4 AAC-LC: 44.1 kHz, 48 kHz • LPCM: 11.025 kHz, 16kHz, 22.05 kHz, 24 kHz, 32 kHz, 44.1 kHz, or 48 kHz

Wireless Channels Supported Frequency

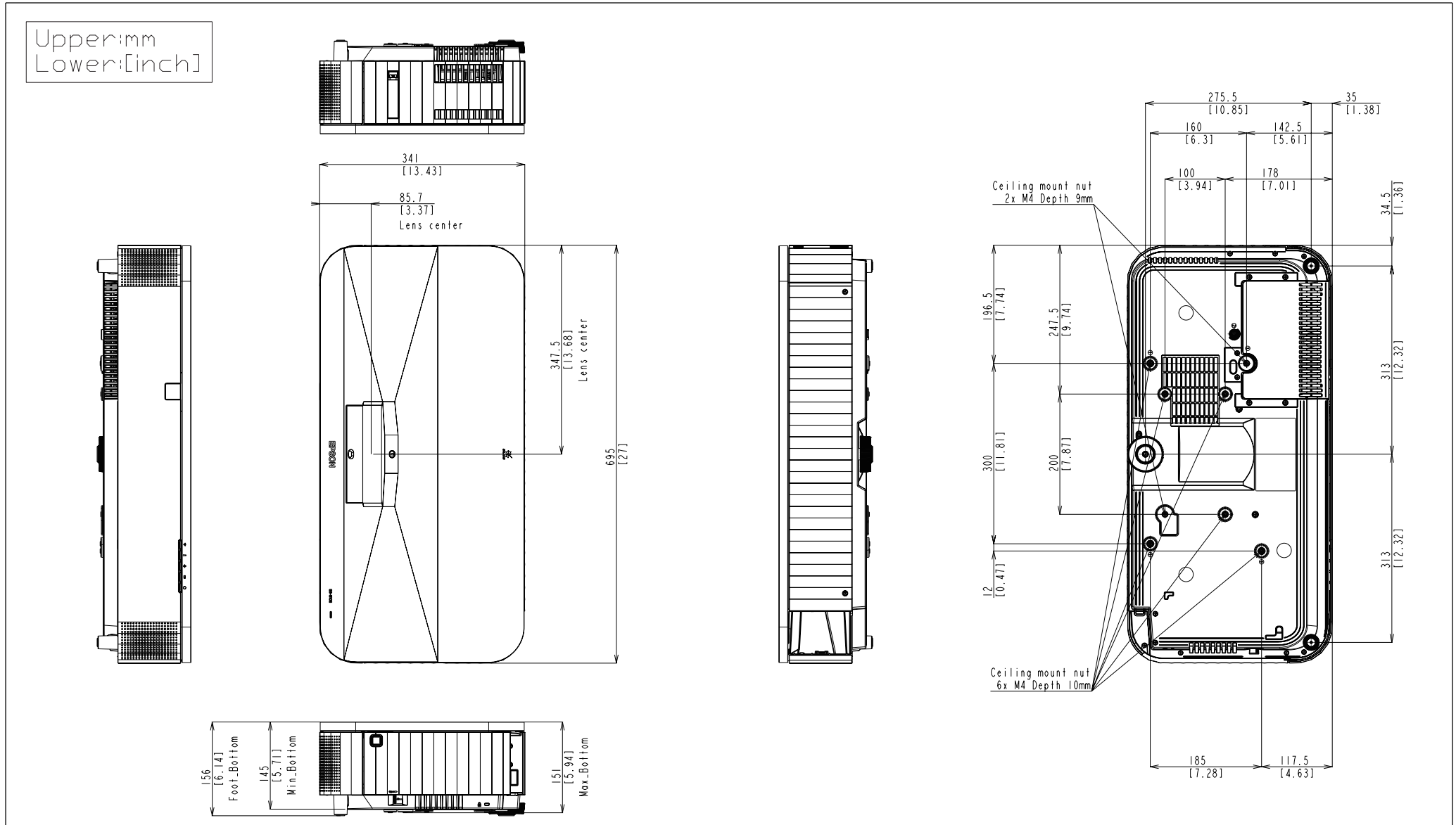
Built-in Wireless LAN Module, Model: WLU5630B-D101

Check the region code (EU/US/CN) of your projector using the [Region Code] in the [Wireless LAN Info.] and then refer to the table below.

REGION name	Europe (EU)	North America (US)	China (CN)
2.4GHz Ch1 – Ch11 (2.400 - 2.473GHz)	Yes	Yes	Yes
2.4GHz Ch12,13 (2.473 - 2.4835GHz)	Yes	No	Yes
5GHz Ch36,40,44,48 (5.15 – 5.25)	Yes	Yes	Yes
5GHz Ch52,56,60,64 (5.25 – 5.35)	No	No	No
5GHz Ch100 – Ch140 (5.47 – 5.725)	No	No	No
5GHz Ch149 – Ch165 (5.725 – 5.85)	No	Yes	Yes

External Dimensions

Projector

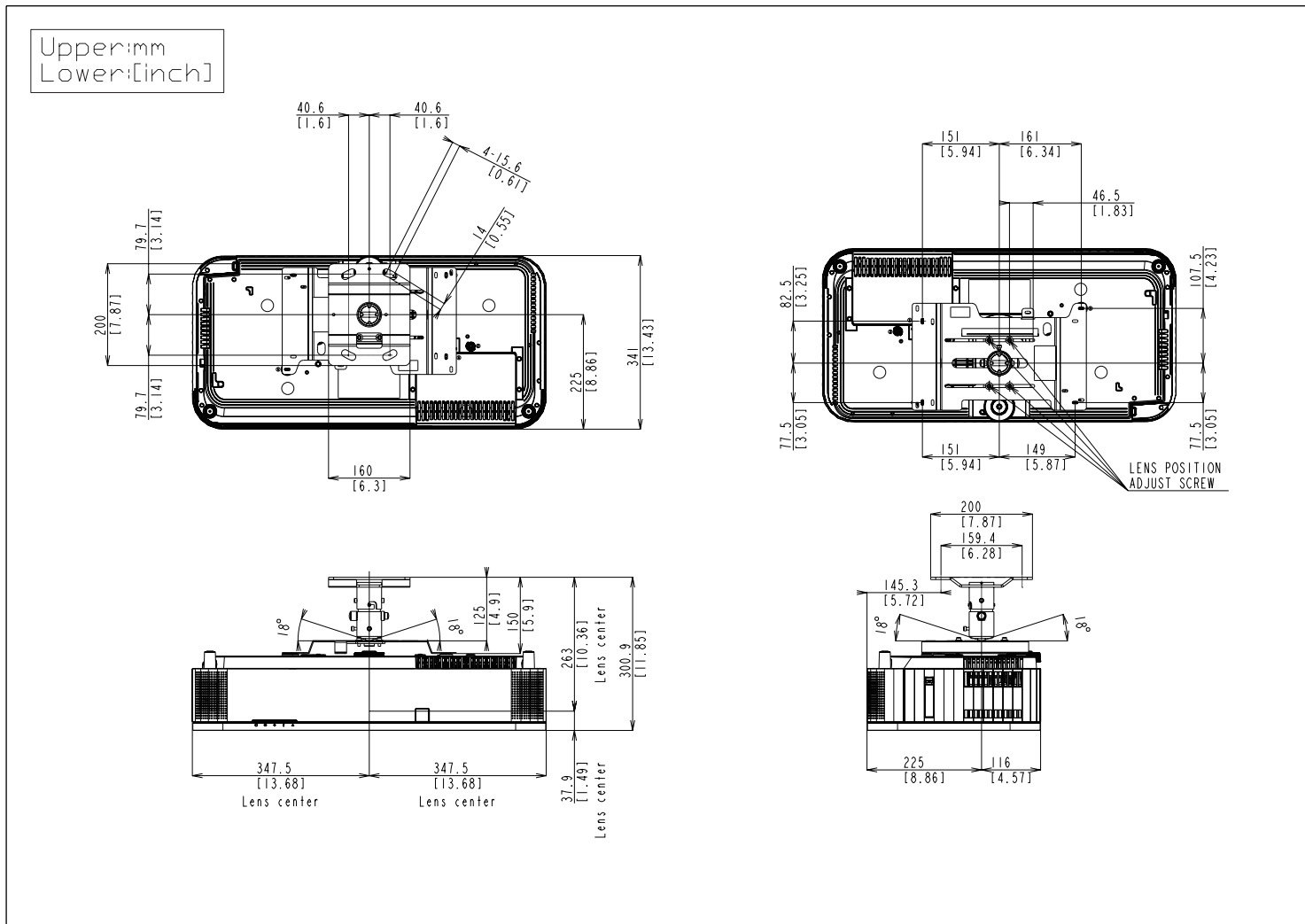


Ceiling Mount (ELPMB22)

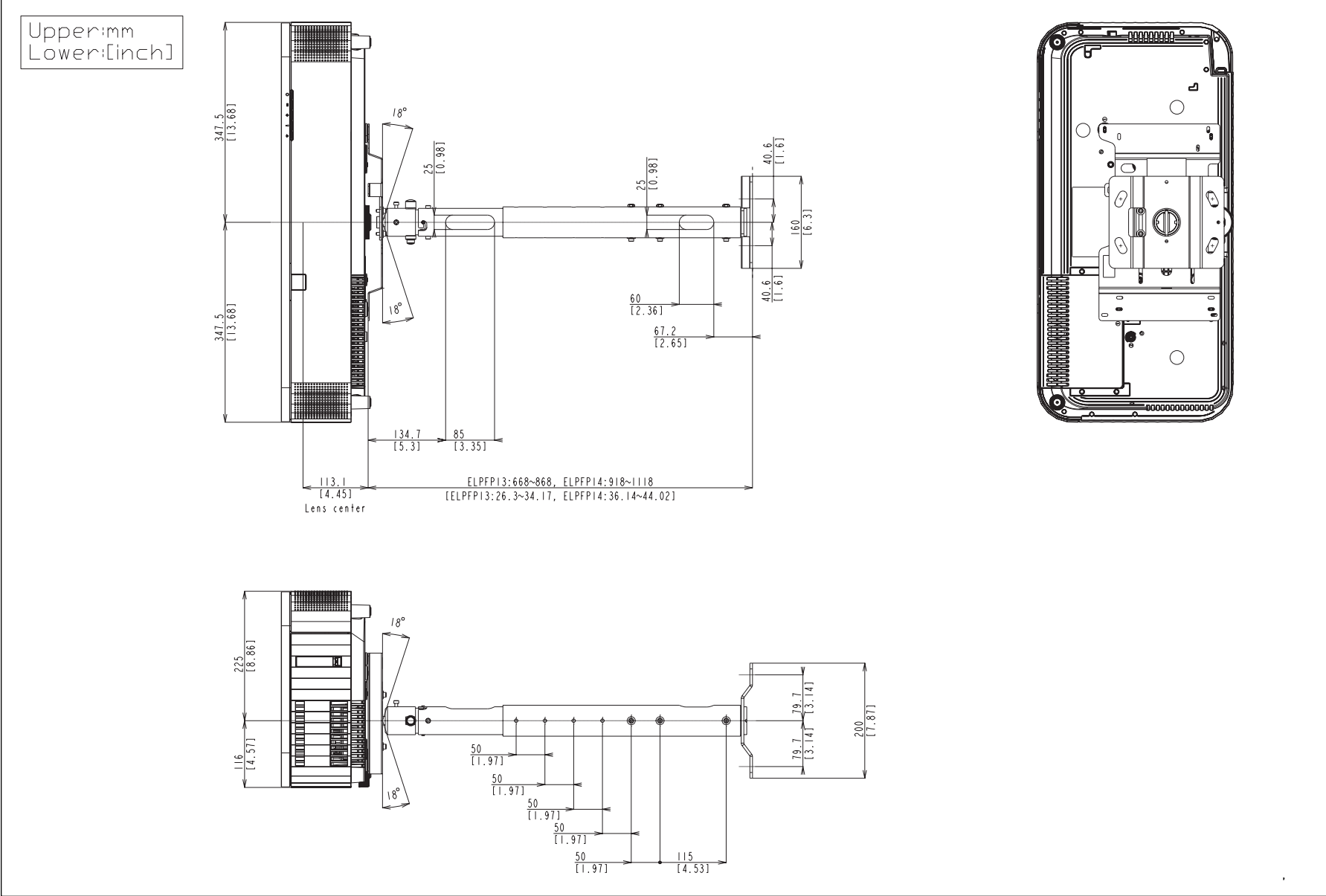
Weight

Projector	Ceiling Mount (ELPMB22)	Ceiling pipe (450 mm) (ELPFP13)	Ceiling pipe (700 mm) (ELPFP14)
Approx. 12.5kg	Approx. 3.5kg	Approx. 2.1kg	Approx. 2.6kg

ELPMB22 Dimensions



ELPMB22+ELPFP13/ELPFP14 Dimensions

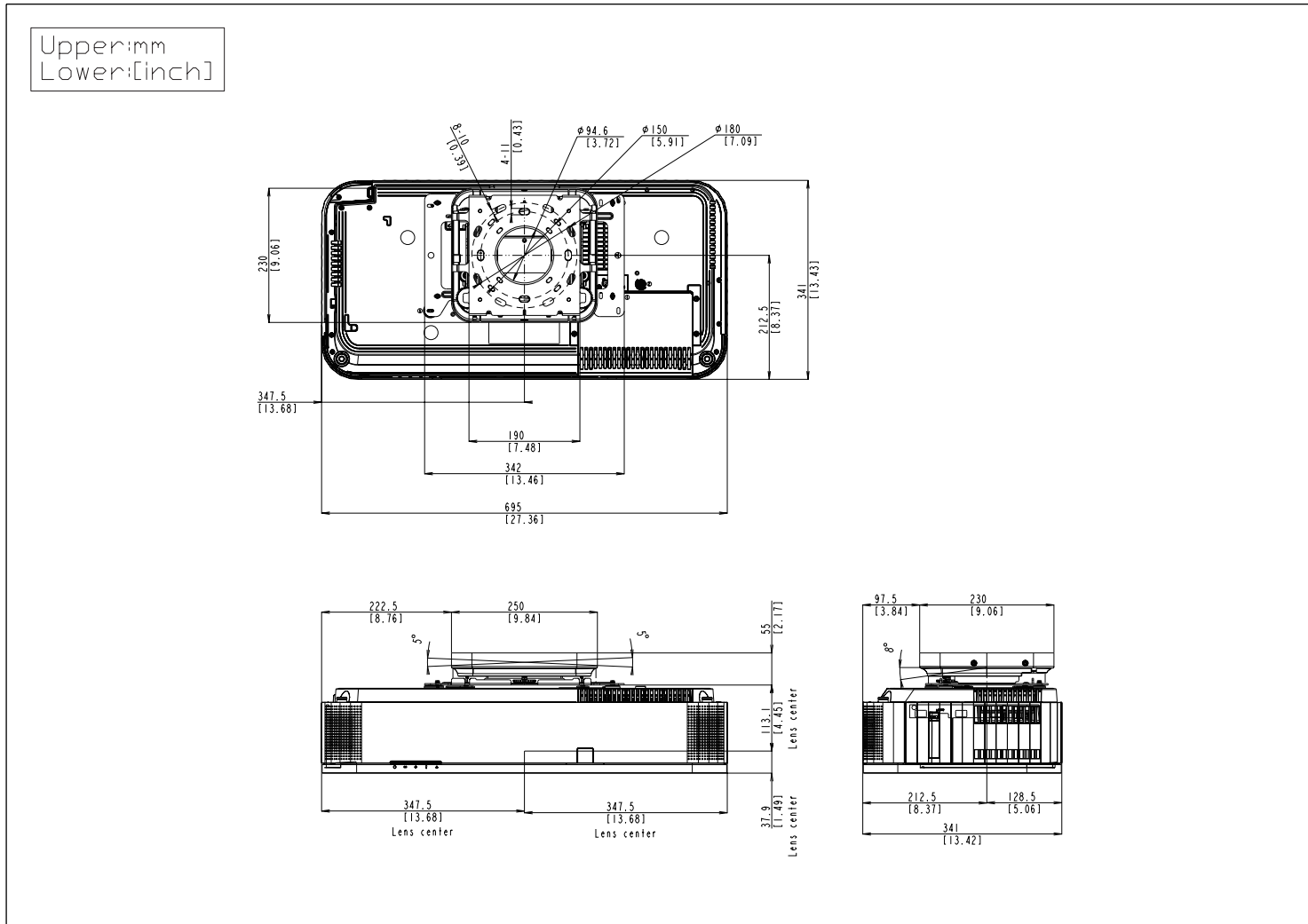


Ceiling Mount (ELPMB30)

Weight

Projector	Ceiling Mount (ELPMB30)	Ceiling pipe (450 mm) (ELPFP13)	Ceiling pipe (700 mm) (ELPFP14)
Approx. 12.5kg	Approx. 3.5kg	Approx. 2.1kg	Approx. 2.6kg

ELPMB30 Dimensions

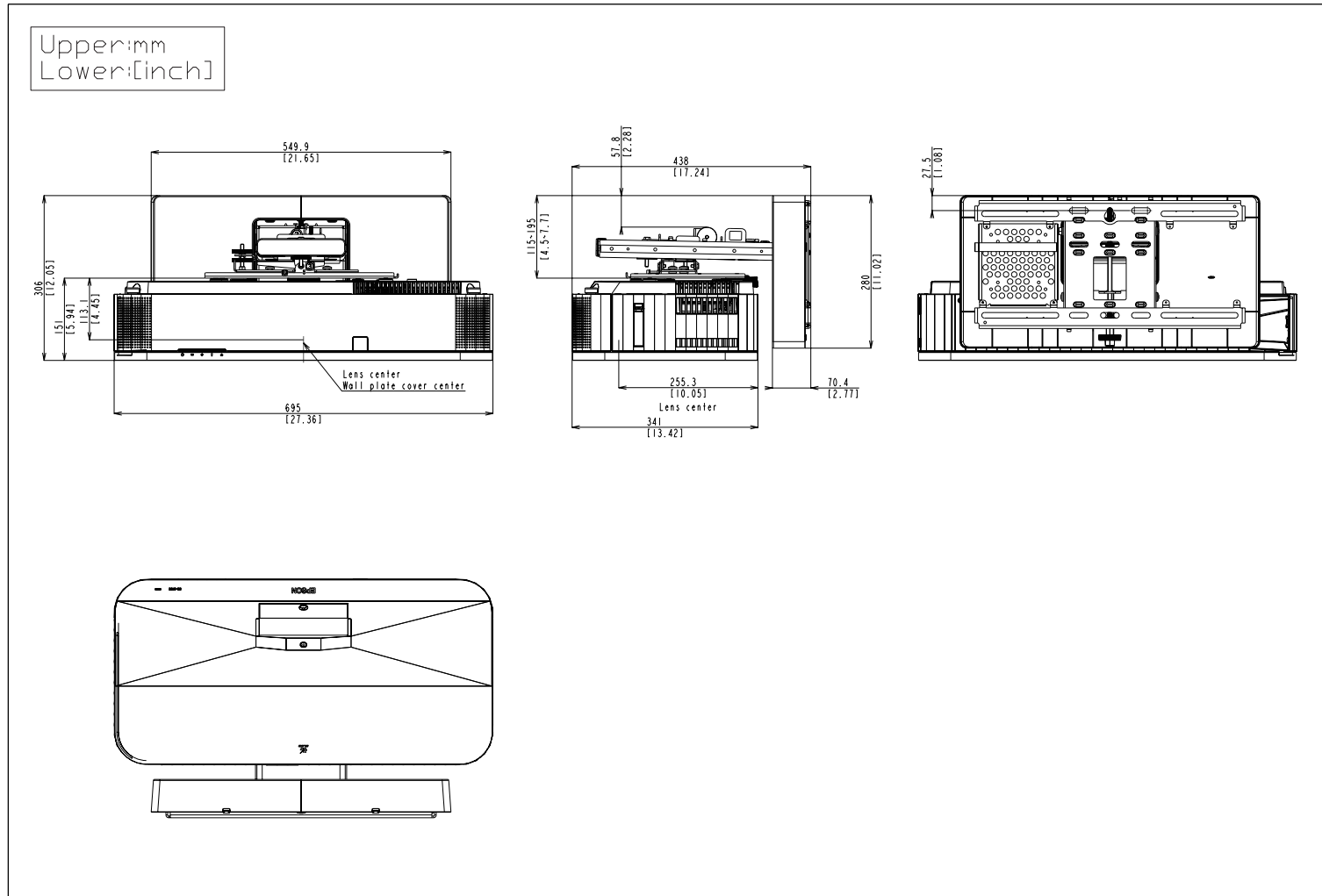


Setting Plate (ELPMB75)

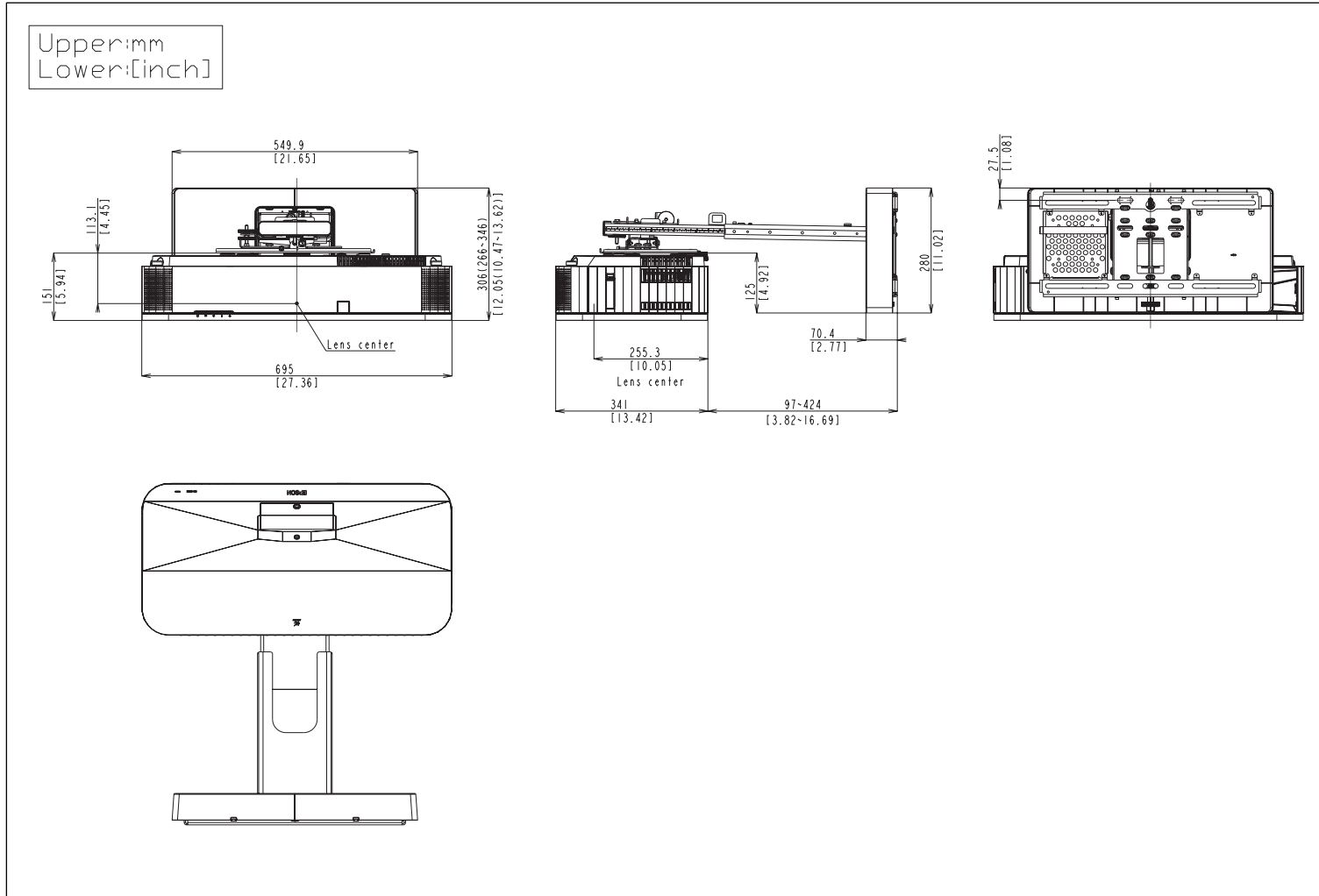
Weight

Projector	Setting Plate
Approx. 12.5kg	Approx. 9.5kg

ELPMB75 Dimensions (Minimum)



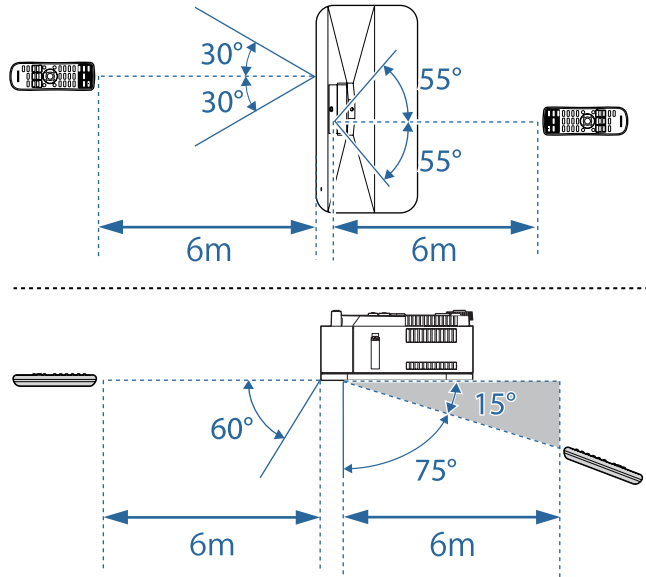
ELPMB75 Dimensions (Maximum)



Installation Specifications

Remote Control Operation (Wireless)

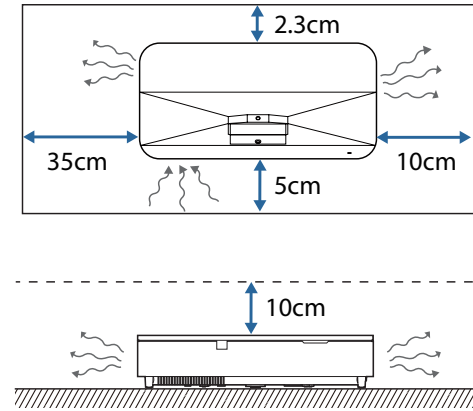
Make sure that you aim the remote control at the projector's receivers within the distance and angles listed here.



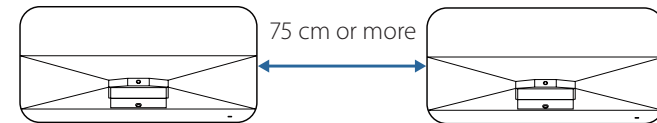
Installation Position

- Installation space

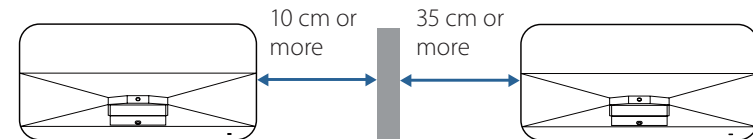
When installing the projector, make sure there is a gap between the wall and the projector's air exhaust and intake vents as shown in the following image.



- Installation space (When installing multiple projectors side by side)
 - If you are installing multiple projectors next to each other, make sure hot air from the exhaust vent does not go into the air intake vent of another projector.



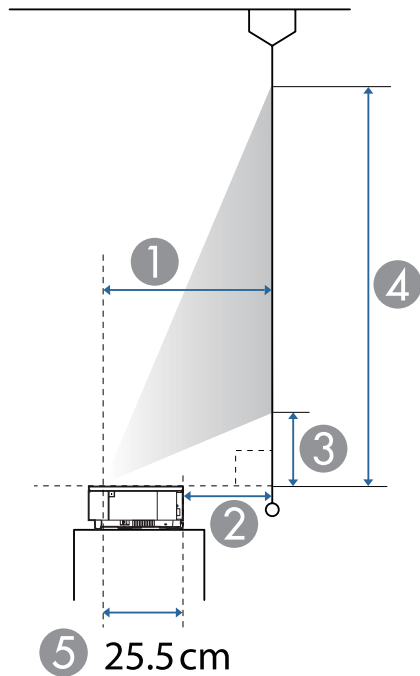
- If you use a partition, you can narrow the space between the projectors.



Projection Distance Formula

You can calculate the projection distance using the following formulas. You can see a more detailed projection simulation on our Web site.

<https://epson.com/>



- ① Projection distance (cm)
- ② Distance from the back of the projector to the screen (cm)
- ③ Distance from the projector to the bottom of the screen (cm)
- ④ Distance from the projector to the top of the screen (cm)
- ⑤ Distance from the center of the lens to the rear of the projector (cm)

<For screens with an aspect ratio of 16:9>

Projection distance (①) formula	
Minimum (Wide)	Projection distance (cm) = Projection screen size (inches) x 0.37435-2.13581
Maximum (Tele)	Projection distance (cm) = Projection screen size (inches) x 0.50538-2.13581

<For screens with an aspect ratio of 4:3>

Projection distance (①) formula	
Minimum (Wide)	Projection distance (cm) = Projection screen size (inches) x 0.45815-2.13581
Maximum (Tele)	Projection distance (cm) = Projection screen size (inches) x 0.6185-2.13581

<For screens with an aspect ratio of 16:10>

Projection distance (①) formula	
Minimum (Wide)	Projection distance (cm) = Projection screen size (inches) x 0.4047-2.13581
Maximum (Tele)	Projection distance (cm) = Projection screen size (inches) x 0.54634-2.13581

<For screens with an aspect ratio of 16:6>

Projection distance (①) formula	
Minimum (Wide)	Projection distance (cm) = Projection screen size (inches) x 0.40217-2.13581
Maximum (Tele)	Projection distance (cm) = Projection screen size (inches) x 0.54293-2.13581

<For screens with an aspect ratio of 21:9>

Projection distance (①) formula	
Minimum (Wide)	Projection distance (cm) = Projection screen size (inches) x 0.39479-2.13581
Maximum (Tele)	Projection distance (cm) = Projection screen size (inches) x 0.53296-2.13581

Screen Size and Projection Distance

Check the table here to determine how far to place the projector from the screen based on the size of the projected image.

16:9 screen size		①	②	③	④
		Wide			
80"	177 × 100	27.8	2.3	10.8	110.4
90"	199 × 112	31.6	6	12.8	124.9
100"	221 × 125	35.3	9.8	14.9	139.4
110"	244 × 137	39	13.5	16.9	153.9
120"	266 × 149	42.8	17.3	19	168.4
140"	310 × 174	50.3	24.7	23	197.4
160"	354 × 199	57.8	32.2	27.1	226.4

4:3 screen size		①	②	③	④
		Wide			
66"	134 × 101	28.1	2.6	11	111.6
70"	142 × 107	29.9	4.4	12	118.7
80"	163 × 122	34.5	9	14.5	136.4
90"	183 × 137	39.1	13.6	17	154.1
100"	203 × 152	43.7	18.1	19.5	171.9
120"	244 × 183	52.8	27.3	24.4	207.3
130"	264 × 198	57.4	31.9	26.9	225.1

16:10 screen size		①	②	③	④
		Wide			
74"	159 × 100	27.8	2.3	10.8	110.4
80"	172 × 108	30.2	4.7	12.1	119.8
90"	194 × 121	34.3	8.8	14.3	135.5
100"	215 × 135	38.3	12.8	16.5	151.2
110"	237 × 148	42.4	16.9	18.7	166.8
120"	259 × 162	46.4	20.9	21	182.5
130"	280 × 175	50.5	24.9	23.2	198.2
148"	319 × 199	57.8	32.2	27.1	226.4

16:6 screen size		①	②	③	④
		Wide			
75"	178 × 67	28	2.5	27.6	94.5
80"	190 × 71	30	4.5	29.9	101.2
90"	214 × 80	34.1	8.5	34.3	114.5
100"	238 × 89	38.1	12.6	38.7	127.9
110"	262 × 98	42.1	16.6	43.1	141.2
120"	285 × 107	46.1	20.6	47.5	154.6
130"	309 × 116	50.1	24.6	52	167.9

16:6 screen size		①	②	③	④
		Wide			
148"	352 × 132	57.4	31.9	59.9	191.9

21:9 screen size		①	②	③	④
		Wide			
76"	177 × 76	27.9	2.3	22.7	98.8
80"	187 × 80	29.4	3.9	24.2	104.3
90"	210 × 90	33.4	7.9	27.9	118
100"	233 × 100	37.3	11.8	31.6	131.7
110"	257 × 110	41.3	15.8	35.3	145.4
120"	280 × 120	45.2	19.7	39.1	159.1
130"	304 × 130	49.2	23.7	42.8	172.9
151"	353 × 151	57.5	31.9	50.6	201.7

■ Monitoring and Control

You can check the status of networked projectors and perform various projector operations using these methods.

Method	Details
ESC/VP21 command	When the projector is connected to a computer with an RS-232C cable, you can control the projector with communication commands.
Epson Web Control	By using the Web browser of a computer connected to the projector on a network, you can set the projector's functions and control the projector.
PJLink command	The projector complies with the PJLink Class2 standard established by the JBMIA. From a computer connected to the projector on a network, you can control the projector with PJLink commands. For more details on PJLink, see the following Web site. http://pjlink.jbmia.or.jp/english/
Art-Net command	Art-Net is an Ethernet communication protocol based on the TCP/IP protocol. You can control the projector by using a DMX controller or an application system.
Epson Projector Management	Allows you to control multiple Epson projectors on a network. You can download Epson Projector Management from the following Web site. epson.sn/
Crestron Connected	If you are using the Crestron Connected network monitoring and control system, you can set up your projector for use on the system. For additional information on Crestron Connected, visit the Crestron Web site. https://www.crestron.com/products/line/crestron-connected
Web API	You can control the projector by Web API communication using API authentication (Digest authentication). For details, see the "Web API Specifications for Projectors" on the following website. https://support.epson.net/setupnavi/

ESC/VP21 Command List

Item	Function	Command	Setting Value/Response Value
Power on/off	Power on	PWR ON	-
	Power off	PWR OFF	-
	Get status	PWR?	-
		Return code	00: Standby 01: Normal operation 02: Warming up 03: Cooling down 04: Monitoring/Communication standby 05: Error standby 09: A/V standby/USB power standby
Operation	Key operation	KEY xx	Control panel 01: Power 03: Menu 04: Home 05: Esc 16: Enter 35: Up 36: Down 37: Left 38: Right 48: Source Search

Item	Function	Command	Setting Value/Response Value
Operation	Key operation	KEY xx	Remote control 3B: Power A1: Power on 6C: Power off 3C: Menu 30: Home 3D: Esc 49: Enter 58: Up 59: Down 5A: Left 5B: Right 67: Source Search 4D: HDMI 8A: LAN 85: USB 47: Freeze 28: E-Zoom + 29: E-Zoom - 3E: A/V Mute 3F: Color Mode 20: Aspect 56: Volume + 57: Volume - 84: User 88: Default 8F: ID A0: Split
Adjusting projected image	Quick Corner direction setting/Get value (based on projection area)	QCS x1 x2 x3 x4 x5 x6 x7 x8	-
		Parameter	x1-x8: 0-9999 Specify in the order of upper left (x,y), upper right (x,y), bottom right (x,y), bottom left (x,y)
		QCS?	-
	Return code	0-9999 Position (x,y) for four points separated by line breaks	
Quick Corner vector setting	QCV x1 x2 x3 x4 x5 x6 x7 x8	-	
	Parameter	x1-x8: -99 ~ 99 Specify in the order of upper left (x,y), upper right (x,y), bottom right (x,y), bottom left (x,y)	

Item	Function	Command	Setting Value/Response Value
Adjusting projected image	Quick Corner direction movement	QCMV control direction movement	-
		Parameter	control: Control location 01: Upper left control 02: Upper right control 03: Bottom right control 04: Bottom left control INIT (settings only) direction: Direction 01: Up direction 02: Down direction 03: Left direction 04: Right direction movement: Amount of movement INC only (settings only)
	Correction method setting/Get value	CORRECTMET x1	-
		CORRECTMET?	-
	Geometry Correction Load Memory	Return code	02: Quick Corner 03: Point Correction 06: Arc Correction
		POPGC x1	-
	Geometry Correction Save Memory	Parameter	01: Memory 1 02: Memory 2 03: Memory 3
		PUSHGC x1	-
	Geometry Correction Erase Memory	Parameter	01: Memory 1 02: Memory 2 03: Memory 3
		ERASEGC x1	-
	Geometry Correction Rename/Acquire Memory	Parameter	00: ALL (Geometry Correction Reset Memory Settings) 01: Memory 1 02: Memory 2 03: Memory 3
		NAMEGC x1 x2	-
		Parameter	x1 Memory No. 01: Memory 1 02: Memory 2 03: Memory 3 x2 Custom name (ASCII code)
		NAMEGC? x1	-
	Parameter	Same as first parameter for NAMEGC	
	Return code	Same as second parameter for NAMEGC	

Item	Function	Command	Setting Value/Response Value
Adjusting projected image	Aspect setting/Get value	ASPECT xx	-
		ASPECT?	-
		Parameter/ Return code	Except for <16:6> 30: Auto 40: Full 50: Zoom 60: Native A0: V-Zoom INIT (settings only) <16:6> 30: Auto 40: Full INIT (settings only) <Auto> only (get only) x1: Mode x2: Auto parameter (fixed at 30)
	Screen Type setting/Get value	SCFORMAT mode param	-
		SCFORMAT? mode	-
		Parameter/ Return code	mode: Setting mode 01: Screen Type setting 02: Screen Position setting INIT(settings only) param: set value (mode=01) 01: 4:3 02: 16:9 03: 16:10 04: 16:6 05: 21:9 param: set value (mode=02) C19 - 000 - 3E7
	Brightness and light source setting/Get value	LUMINANCE xx	-
		LUMINANCE?	-
		Parameter/ Return code	00: Normal 01: Quiet 04: Extended 05: Custom INIT (settings only)
	Brightness level setting/Get value	LUMLEVEL level	-
		LUMLEVEL?	-
		Parameter/ Return code	0-255 INIT/INC/DEC (settings only)
	Maintain brightness setting/Get value	LUMCONST x1 [x2]	-
		LUMCONST?	-
		Parameter/ Return code	x1: Maintain Brightness 00: Off 01: On INIT (settings only) x2: Brightness Level 0-255

Item	Function	Command	Setting Value/Response Value
Adjusting projected image	Dimming rate setting/Get value	DIMMING x1	-
		DIMMING?	-
		Parameter/ Return code	x1: Dimming rate 0-255
	Zoom setting/Get value	ZOOM xxx	-
		ZOOM?	-
		Parameter/ Return code	E-Zoom (Zooming in/Zooming out) 0-255 INIT/INC/DEC (settings only)
Source change /Signal setting	Source change/get	SOURCE xx	-
		SOURCE?	-
		Parameter/ Return code	30: HDMI1 51: USB Display 52: USB 53: LAN 56: Screen Mirroring1 59: Screen Mirroring2 80: HDBaseT A0: HDMI2 F0: Cycle through all sources F1: Switch to USB Display, USB, LAN, Screen Mirroring1, Screen Mirroring2 F2: Switch to HDMI1, HDMI2, HDBaseT
	Auto source search	AUTOSEARCH x1	-
		AUTOSEARCH?	-
		Parameter/ Return code	00: Off 01: On
Adjusting image quality	Brightness setting/Get value	BRIGHT xxx	-
		BRIGHT?	-
		Parameter/ Return code	0-255 INIT/INC/DEC (settings only)
	Contrast setting/Get value	CONTRAST xxx	-
		CONTRAST?	-
		Parameter/ Return code	0-255 INIT/INC/DEC (settings only)
	Color saturation setting/Get value	DENSITY xxx	-
		DENSITY?	-
		Parameter/ Return code	0-255 INIT/INC/DEC (settings only)
	Color tint setting/Get value	TINT xxx	-
		TINT?	-
		Parameter/ Return code	0-255 INIT/INC/DEC (settings only)

Item	Function	Command	Setting Value/Response Value	
Adjusting image quality	Sharpness setting/Get value	SHARP x1	-	
		Parameter	x1: Adjustment value 0-255 INC/DEC/INIT	
		SHARP?	-	
		Return code	0-255	
		Color temperature setting/Get value	CTEMP xxx	-
			CTEMP?	-
	Parameter/ Return code		Color Temp. 0-255 INIT/INC/DEC (settings only)	
	GM correction setting/Get value	FCOLOR xxx	-	
		FCOLOR?	-	
		Parameter/ Return code	0-255 INIT/INC/DEC (settings only)	
	Color mode setting/Get value	CMODE xx	-	
		CMODE?	-	
		Parameter/ Return code	04: Presentation 06: Dynamic 07: Natural 0F: DICOM SIM 11: Blackboard 15: Cinema 1A: Multi-Projection 24: Face Brightness INIT (settings only)	
		Noise reduction setting/Get value	NRS xx	-
	Parameter		0-255 INIT/INC/DEC	
	NRS?		-	
	Return code		0-255	
	MPEG noise reduction	MPEGNRS x1	-	
		MPEGNRS?	-	
		Parameter/ Return code	00: Off 01: Low 02: Normal 03: High	
	Red offset setting/Get value Green offset setting/Get value Blue offset setting/Get value	OFFSETR xxx	-	
		OFFSETR?	-	
		Parameter/ Return code	0-255 INIT/INC/DEC (settings only)	
		OFFSETG xxx	-	
OFFSETG?		-		
Parameter/ Return code		0-255 INIT/INC/DEC (settings only)		
OFFSETB xxx		-		
OFFSETB?		-		
Parameter/ Return code		0-255 INIT/INC/DEC (settings only)		

Item	Function	Command	Setting Value/Response Value
Adjusting image quality	Red gain setting/ Get Value Green gain setting/ Get value Blue gain setting/Get value	GAINR xxx	-
		GAINR?	-
		Parameter/ Return code	0-255 INIT/INC/DEC (settings only)
		GAING xxx	-
		GAING?	-
		Parameter/ Return code	0-255 INIT/INC/DEC (settings only)
		GAINB xxx	-
		GAINB?	-
		Parameter/ Return code	0-255 INIT/INC/DEC (settings only)
	Gamma setting/ Get value	GAMMA xx	-
		GAMMA?	-
		Parameter/ Return code	20: Set 2 21: Set 1 22: Set 0 23: Set -1 24: Set -2 F0: Custom INIT (settings only)
		GAMMALV x1 x2	-
	Gamma level setting/ Get value	Parameter	x1: Tone 00-08: Tone 1 - Tone 9 x2: Adjustment value 0-255 INC/DEC
		GAMMALV? xx	-
		Parameter	Same as GAMMALV command x1 parameter
		Return code	0-255
	RGBCMY setting/ Get value	AXESADJ x1 x2 x3 x4	-
		Parameter	x1: Color 01: R 02: G 03: B 04: C 05: M 06: Y 90: ALL x2: Hue 0-255 x3: Saturation 0-255 x4: Brightness 0-255 INIT
		AXESADJ?	-
		Return code	0-255 Hue, Saturation, Brightness values for each color in the order of R, G, B, C, M, Y

Item	Function	Command	Setting Value/Response Value
Adjusting image quality	Multi screen color matching setting/Get value	MULSCR x1 x2 x3	-
		Parameter	x1: Adjustment type 01: Display pattern 05: Color correction R 06: Color correction G 07: Color correction B 08: Color correction (RGB) INIT x2: Level 00: Off (x1=01 only) 01 - 08: Level 1 - Level 8 FF: whole x3: Adjustment value (Except for x1=01) 0-255 INIT/INC/DEC [x3]: type (Except for x1=01 & x2=00) 00: Tone pattern 01: Blend pattern
		MULSCR? xx	-
		Parameter	x1: Adjustment type 01: Display pattern 05: Color correction R 06: Color correction G 07: Color correction B
		Return code	Adjustment value of each level or level value for selected adjustment type. Level: 00-08,FF Adjustment value: 000-255
		Load Memory	POPMEM x1 x2
	Save Memory	Parameter	x1 Memory Type 02: Advanced x2 Memory No. 01: Memory 1 (1st) : 0A: Memory 10 (10th)
		PUSHMEM x1 x2	-
	Erase Memory	Parameter	x1 Memory Type 02: Advanced x2 Memory No. 01: Memory 1 (1st) : 0A: Memory 10 (10th)
		ERASEMEM x1 x2	-
	Get color adjustment method setting	CSEL?	-
		Return code	07: RGB/RGBCMY

Item	Function	Command	Setting Value/Response Value
Adjusting image quality	4K enhancement setting/Get value	4KENHANCE xx	-
		4KENHANCE?	-
		Parameter/Return code	00: Off 01: On
	Image Preset Mode setting/Get value	IMGPRESET x1	-
		IMGPRESET?	-
		Parameter/ Return code	00: Off 01: Preset 1 02: Preset 2 03: Preset 3 04: Preset 4 05: Preset 5 INIT (settings only)
	Super-resolution: fine line adjust and soft focus details simultaneously setting/Get value	SHRF x1	-
		SHRF?	-
		Parameter/ Return code	0-20 Super-resolution (Same value as fine line adjust and soft focus detail) INIT (settings only)
	Frame interpolation setting/Get value	MCFI xx	-
		MCFI?	-
		Parameter/Return code	00: Off 01: Weak 02: Standard 03: Strong INIT (settings only)
	(HDR) Color space setting/Get value	CLRSPEACE x1	-
		CLRSPEACE?	-
		Parameter/Return code	00: Auto 01: BT.709 02: BT.2020
	(HDR) Dynamic range setting/Get value	DYNRANGE x1	-
		DYNRANGE?	-
		Parameter/Return code	00: Auto 01: SDR 20: HDR10 30: HLG
	HDR PQ setting/Get value	HDRPQ x1	-
		HDRPQ?	-
		Parameter/Return code	01-16: HDR10 Mode
	HDR HLG setting/Get value	HDRHLG x1	-
		HDRHLG?	-
		Parameter/Return code	01-16: HLG Mode
	Scene Adaptive Gamma Settings/ Acquire settings	SCENEGAMMA x1	-
		SCENEGAMMA?	-
		Parameter/ Return code	0-255 INC/DEC/INIT (settings only)
Auto contrast enhancement setting/Get value	CONTENHANCE x1	-	
	CONTENHANCE?	-	
	Parameter/ Return code	0-255 INIT/INC/DEC (settings only)	

Item	Function	Command	Setting Value/Response Value
Audio	Volume setting/Get value	VOL xxx	-
		VOL?	-
		Parameter/ Return code	0-255 INIT/INC/DEC (settings only)
	A/V output setting/Get value	AVOUT x1	-
		AVOUT?	-
		Parameter/ Return code	00: While Projecting (NW Standby) 01: Always On (AV Standby) INIT (settings only)
	Sound output device or Inverse audio setting/Get value	AUDIOOUT mode	-
		Parameter	10: off (Normal) 11: on (Inverse) INIT (settings only)
		AUDIOOUT?	-
		Return code	10: off (Normal) 11: on (Inverse)
Sound mode/Sound program setting/Get value	SOUND x1	-	
	SOUND?	-	
	Parameter/Return code	01: Standard 0B: Clear voice INIT (settings only)	
Additional features	A/V mute ON, OFF/Get status	MUTE x1	-
		MUTE?	-
		Parameter/ Return code	ON : A/V mute ON OFF: A/V mute OFF INIT (settings only)
	Freeze ON, OFF/Get status	FREEZE xxx	-
		FREEZE?	-
		Parameter/ Return code	ON : Freeze ON OFF: Freeze OFF INIT (settings only)
LCD alignment/Get status	LCDALIGNMENT 00 x y	-	
	LCDALIGNMENT 04 updown leftright LCDALIGNMENT mode param	-	

Item	Function	Command	Setting Value/Response Value
Additional features	LCD alignment/ Get status	Parameter/ Return code	mode 00: Adjustment (Coordinate specification) 01: LCD alignment setting 02: Adjustment color setting 03: Pattern colorsetting 04: Adjustment (Whole) INIT x 0000~270F: Get X coordinate y 0000~270F: Get Y coordinate updown 9D~00~63: Adjustment vertical direction leftright 9D~00~63: Adjustment horizontal direction param • LCD alignment setting 00: LCD alignment correction OFF 01: LCD alignment correction ON • adjustment color setting (02:specified) 01: Red 02: Blue • pattern colorsetting (03:specified) 01: R/G/B 02: R/G 03: G/B
		LCDALIGNMENT? mode x y LCDALIGNMENT? mode	-
		Parameter	00: Adjustment (Coordinate specification) 01: LCD alignment setting 02: Adjustment color setting 03: Pattern colorsetting x 0000~270F: Get X coordinate y 0000~270F: Get Y coordinate
		return code	Get adjustment value(00: specified) return vertical and horizontal value. • LCD alignment setting 00: LCD alignment correction OFF 01: LCD alignment correction ON • adjustment color setting(02:specified) 01: Red 02: Blue • pattern colorsetting(03:specified) 01: R/G/B 02: R/G 03: G/B

Item	Function	Command	Setting Value/Response Value
Conguration	Horizontal reverse setting/Get value	HREVERSE xxx	-
		HREVERSE?	-
		Parameter/ Return code	ON : Horizontal reverse OFF: Normal INIT (settings only)
	Upside down setting/Get value	VREVERSE xxx	-
		VREVERSE?	-
		Parameter/ Return code	ON : Upside down OFF: Normal INIT (settings only)
	Reset all	INITALL2 x1	-
		Parameter/ Return code	x1: Target for reset
	Communication speed setting/Get value	SPEED xx	-
		Parameter	00: 9600bps 01: 19200bps 02: 38400bps 03: 57600bps INIT
		SPEED?	-
		Return code	00: 9600bps 01: 19200bps 02: 38400bps 03: 57600bps
	Projector ID setting/Get value	PROJID xx	-
		PROJID?	-
		Parameter/ Return code	00: Off 01-09: ID1-ID9 INIT (settings only)
	Illumination/Indicator setting	ILLUM xx	-
		ILLUM?	-
		Parameter/ Return code	00: Off 01: On INIT (settings only)
	Inverse direction button setting/Get value	KREVERSE xx	-
		KREVERSE?	-
Parameter/Return code		10: Release the projector's Inv Direction Button and turn off the setting 11: Execute the projector's Inv Direction Button and turn on the setting INIT (settings only)	
Menu rotation setting	OSDROTATE x1	-	
	OSDROTATE?	-	
	Parameter/ Return code	00: Off 01: Right 90 degree 02: Left 90 degree	
HDBaseT setting/Get value	HDBASET mode	-	
	HDBASET?	-	
	Parameter/Return code	00: Off 01: On INIT (settings only)	

Item	Function	Command	Setting Value/Response Value
Conguration	Startup source/ Get value	STSOURCE mode	-
		STSOURCE?	-
		Parameter/ Return code	00: Last source 30: HDMI1 51: USB Display 52: USB1 53: LAN 80: HDBaseT A0: HDMI2
	Quick startup mode setting/Get	FASTBOOT x1	-
		FASTBOOT?	-
		Parameter/ Return code	00: Off 01: 20 min. 02: 60 min. 03: 90 min. F0: Unlimited
	Refresh mode setting/Get value	REFRESHTIME x1	-
		REFRESHTIME?	-
		Parameter/ Return code	01: 1 Hour 0D: 13 Hours 02: 2 Hours 0E: 14 Hours 03: 3 Hours 0F: 15 Hours 04: 4 Hours 10: 16 Hours 05: 5 Hours 11: 17 Hours 06: 6 Hours 12: 18 Hours 07: 7 Hours 13: 19 Hours 08: 8 Hours 14: 20 Hours 09: 9 Hours 15: 21 Hours 0A: 10 Hours 16: 22 Hours 0B: 11 Hours 17: 23 Hours 0C: 12 Hours 18: 24 Hours
	Refresh mode start	REFRESH [x1]	-
		Parameter	x1: ON OFF
	Refresh mode running message display setting/Get	REFRESHMSG x1	-
		REFRESHMSG?	-
		Parameter/ Return code	00: Messages off 01: Messages on
	Batch setup range setting/Get	BARANGE x1	-
		BARANGE?	-
		Parameter/ Return code	00: All 01: Limited
	Light source calibration start (run now)	LTCALB	-
	Auto light source calibration setting/Get (run periodically)	AUTOLTALB x1	-
		AUTOLTALB?	-
Parameter/ Return code		00: Off 01: On (Run periodically)	

Item	Function	Command	Setting Value/Response Value
Conguration	Get last date and time of the light source calibration	LASTLTCALB?	-
		Return code	yyyyMMddHHmm (Year/Month/Day/Time) 2000 - 2099: yyyy 01 - 12: MM 01 - 31: dd 00 - 23: HH 00 - 59: mm
		USB Power in Standby Settings/Acquire settings USB Power Settings/ Acquire settings	USBSUPPLY x1 USBSUPPLY ? Parameter/ Return code
	Menu color setting/ Get value	MENUCOLOR x1	-
		MENUCOLOR? Parameter/ Return code	- 00: Black 01: White INIT (settings only)
	Transmitter Connection Guide Display setting/Get value	TRNSGUIDE x1	-
		TRNSGUIDE?	-
		Parameter/ Return code	00: Off (No display) 01: On (display) INIT (settings only)
	Transmitter Auto Power On setting/Get value	TRNSPWRON x1	-
		TRNSPWRON?	-
Parameter/ Return code		00: Off 01: On INIT (settings only)	
Start Settings for Video Conference Rooms	VCSETUP	-	
Home Screen	Home screen auto display	AUTOHOME x1	-
		AUTOHOME?	-
		Parameter/ Return code	00: Off (No display) 01: On (Display auto)
	Sort sources	HSORT x1	-
		HSORT? Parameter/ Return code	- 00: Off 01: On INIT (settings only)
Network	AMX DDDP BeaconMessage Acquire	AMX	-
		Return code	*The response format follows the AMX specifications. AMXB< SDKClass=VideoProjector> <<GUID=EPSON_EMP001><<Revision=1.0.0>
	AMX DDDP IP BeaconMessage status setting/ Get status	AMXDDDP xx	-
		AMXDDDP?	-
		Parameter/ Return code	00: Stop sending BeaconMessage 01: Start sending BeaconMessage INIT (settings only)

Item	Function	Command	Setting Value/Response Value	
Network	Extron XTP setting/ Get value	XTP x1	-	
		XTP?	-	
		Parameter/Return code	00: Off 01: On	
	Wireless LAN power	WLPWR x1	-(NW supported)	
		WLPWR?	-(NW supported)	
		Parameter/ Return code	00: Off 01: Wireless LAN On	
Screen Mirroring	Screen Mirroring (power) setting/Get	WDPWR x1	-	
		WDPWR?	-	
		Parameter/ Return code	00: Off 01: On	
	Performance tuning setting/Get value	WDPERF x1	-	
		WDPERF?	-	
		Parameter/ Return code	01: 1 (Fine) 02: 2 03: 3 04: 4 (Fast)	
	Reflect Screen Mirroring setting	WDRESET	-	
	Interrupt Screen Mirroring setting/Get value	WDINTRPT x1	-	
		WDINTRPT?	-	
		Parameter/ Return code	00: Off 01: On	
	Information bar setting/Get value	WDINFOBAR x1	-	
		WDINFOBAR?	-	
		Parameter/ Return code	00: Off 01: On	
	Information	Get light source usage hour	LAMP?	-
			Return code	LAMP=x1 x1: Light Source Hours
Get usage hours		ONTIME?	-	
		Return code	ONTIME=x1 x1: Operation Hours	
Get signal status		SIGNAL?	-	
		Return code	00: No signal 01: With signal FF: Unsupported signal	
Get input source information		SOURCELIST?	-	
		Return code	30 HDMI1 A0 HDMI2 80 HDBaseT 51 USB Display 52 USB 53 LAN 56 Screen Mirroring1 59 Screen Mirroring2	

Item	Function	Command	Setting Value/Response Value
Information	Get input source information (all source)	SOURCELISTA?	-
		Return code	30 HDMI1 A0 HDMI2 80 HDBaseT 51 USB Display 52 USB 53 LAN 56 Screen Mirroring1 59 Screen Mirroring2
		LOGTO x1	-
		LOGTO?	-
	Log save destination	Parameter/ Return code	00: Internal Memory 01: USB and Internal Memory

PJLink Command List

Command	Function	Setting Value/ Response Value	Content	
POWR?	Power-off (Standby) Abnormal standby	POWR=0	PWR=00,04,05	
	Power-on (Laser on)	POWR=1	PWR=01	
	Cooling status	POWR=2	PWR=03	
	Warm up status	POWR=3	PWR=02	
	INPT INPT? INST?	DIGITAL (Digital signal)	32	HDMI1
		33	HDMI2	
STORAGE (Storage media signal)		41	USB	
NETWORK (Network communication)			52	LAN
			53	USB Display
			56	HDBaseT
			57	Screen Mirroring1
			58	Screen Mirroring2
ERST?	First character: Fan error	2: error	Fan error	
	Second character: Laser error		Laser error Laser failure	
	Third character: Temperture error		High temperture warning High temperture error	
	Fifth character: Filter error		Low air flow through the air filter. Low air flow through the projector.	
	Sixth character: Other errors		Other warnings Other errors	
	AVMT?		A/V mute	31
Normal		30	MUTE=OFF	
NAME?	Projector name query		Projector name	
INF1?	Manufacture name information query		EPSON	
INF2?	Product name information query		EPSON 815E/810E	
INFO?	Other information query		-	
CLSS?	Class information query		2	
LAMP?	[L1 light source usage time] [L1 light source query] (ESC/VP21 command: LAMP?, PWSTATUS?)		-	

Class2 Command List

Command	Status	Setting Value/ Response Value	Content
SRCH ?	Request to search projector		-
ACKN	Response to projector search		-
LKUP =	Status notification (link up)		- When address is confirmed
ERST =	Status notification (error occurred)		-
POWR =	Status notification (changing power status)		-
INPT =	Status notification (changing input source)		-
SNUM ?	Serial number query		-
SVER ?	Software version query		- Response Main (P)
INNM ?	Input port name query		-
IRES ?	Input resolution query		-
RRES ?	Recommended resolution query		-
FILT ?	Filter usage time query		0 (no count)
RFIL ?	Response filter model number		ELPAF64
SVOL	Adjust speaker volume		VOL INC/DEC
MVOL	Adjust mic volume		MICLEVEL INC/DEC
FREZ	Freeze	1	FREEZE=ON
FREZ ?	Freeze off	0	FREEZE=OFF

Art-Net Channel Definitions

The following table lists the channel definitions used to control the projector in Art-Net. First, set Channel 13 to "Can control".

Channel/Function	Channel/Function	Operation	Parameters	Default value
1 Adjusting light (dimming)	0% to 100%	0 to 255	0	Adjusts the image brightness.
2 Shutter control	Shutter open	0 to 63	128	Enables/disables A/V Mute.
	Shutter closed	192 to 255		
3 Switch source	HDMI1	8 to 15	0	Switches to the specified source.
	HDMI2	16 to 23		
	LAN	80 to 87		
	Screen Mirroring1	88 to 95		
	Screen Mirroring2	96 to 103		
	USB Display	104 to 111		
7 Digital tele/wide	Digital tele/wide	0 to 255	255	Digital tele/wide using the specified amount of movement.
11 Power control	Power off	0 to 63	128	Turns the projector power on or off.
	Power on	192 to 255		
	Quick corner	32 to 47	255	Switch geometry correction method.
	Point correction	48 to 63		
	Arc correction	64 to 79		
	Load geometry correction memory 1	96 to 111		Load geometry correction memory.
	Load geometry correction memory 2	112 to 127		
	Load geometry correction memory 3	128 to 143		
13 Lock	Cannot control	0 to 127	0	Enables/disables Art-Net operations.
	Can control	128 to 255		
18 Content playback	Non-operational	0 to 3	0	Plays the specified playlist.
	Playlist 1	4 to 7		
	Playlist 2	8 to 11		
	Playlist 3	12 to 15		
	Playlist 4	16 to 19		
	Playlist 5	20 to 23		
	Playlist 6	24 to 27		
	Playlist 7	28 to 31		
	Playlist 8	32 to 35		
	Playlist 9	36 to 39		
	Playlist 10	40 to 43		

Channel/Function	Channel/Function	Operation	Parameters	Default value
18 Content playback	Playlist 11	44 to 47	0	Plays the specified playlist.
	Playlist 12	48 to 51		
	Playlist 13	52 to 55		
	Playlist 14	56 to 59		
	Playlist 15	60 to 63		
	Playlist 16	64 to 67		
	Playlist 17	68 to 71		
	Playlist 18	72 to 75		
	Playlist 19	76 to 79		
	Playlist 20	80 to 83		
	Playlist 21	84 to 87		
	Playlist 22	88 to 91		
	Playlist 23	92 to 95		
	Playlist 24	96 to 99		
	Playlist 25	100 to 103		
	Playlist 26	104 to 107		
	Playlist 27	108 to 111		
	Playlist 28	112 to 115		
	Playlist 29	116 to 119		
	Playlist 30	120 to 123		
	Playlist 31	124 to 127		
	Playlist 32	128 to 131		
	Playlist 33	132 to 135		
	Playlist 34	136 to 139		
	Playlist 35	140 to 143		
	Playlist 36	144 to 147		
	Playlist 37	148 to 151		
	Playlist 38	152 to 155		
	Playlist 39	156 to 159		
	Playlist 40	160 to 163		
	Playlist 41	164 to 167		
	Playlist 42	168 to 171		
	Playlist 43	172 to 175		
	Playlist 44	176 to 179		
	Playlist 45	180 to 183		
	Playlist 46	184 to 187		
	Playlist 47	188 to 191		
	Playlist 48	192 to 195		
	Playlist 49	196 to 199		
	Playlist 50	200 to 203		
	Non-operational	204 to 255		

If you are controlling the projector using Art-Net and operating it from the remote control, settings made by the DMX controller or application software may differ from the projector's actual status. If you want to apply all the channel controls to the projector, set Channel 13 to "Cannot control", then set it back to "Can control".

■ Appendix

Cautions

1. The copyright for this document is owned by the Seiko Epson Corporation. No part of this document may be reproduced, stored in a retrieval system, or transmitted in any form or by any means, electronic, mechanical, photocopying, recording, or otherwise, without the prior written permission of Seiko Epson Corporation.
2. This document is only to be used as instruction document for projector products.

Disclaimer

1. The contents of this document are subject to change without notice.
2. While every precaution has been taken in the preparation of this document, Seiko Epson Corporation assumes no responsibility for errors or omissions. Neither is any liability assumed for damages resulting from the use of the information contained herein.
3. Responsibility for use of this document lies with the user. Seiko Epson Corporation shall not be liable to the purchaser of this document or third parties for damages, losses, costs, or expenses incurred by the purchaser or third parties as a result of use of this document.