



Projector Manual Update Information

Multimedia Projector

**EB-PQ2220B CB-PQ2220B
EB-PQ2216B CB-PQ2216B
EB-PQ2216W CB-PQ2216W
EB-PQ2213B CB-PQ2213B
EB-PQ2010B CB-PQ2010B
EB-PQ2010W CB-PQ2008B
EB-PQ2008B CB-PQ2008W
EB-PQ2008W**

Introduction to the Updated Firmware 3

Features of Firmware Version 1.50 4

- Updates to Projector Menus (Version 1.50) 4
- Updates to Supported Software (Version 1.50) 4
- Updates to User Operations (Version 1.50) 4

Details of Updated Firmware 5

Details of Updated Projector Menus (Version 1.50) 6

- Up to 4K 120Hz 40Gbps for EDID Mode 6

Details of User Operation Change (Version 1.50) 7

- Selecting the Image Aspect (Camera Assist V150) 7
- Overshoot Light (Camera Assist V150) 7
- Unrestricted Use of 100 V Power Cord (for EB-PQ2216 and EB-PQ2220) 7
- Added Aspect Ratios 21:9 and 16:6 to "Screen Size and Projection Distance" 7
- Note on the Monitor Password 13

Appendix 14

Notices 15

- Copyright Notice 15
- General Notice 15
- Copyright Attribution 15

Introduction to the Updated Firmware

Epson periodically provides firmware updates to enhance your projector features and to address issues of performance. Refer to these sections to learn more about the updated features within each firmware version.

▶ Related Links

- "Features of Firmware Version 1.50" [p.4](#)

Refer to the section for a summary of the updated features of projector firmware version 1.50.

▶ Related Links

- "Updates to Projector Menus (Version 1.50)" [p.4](#)
- "Updates to Supported Software (Version 1.50)" [p.4](#)
- "Updates to User Operations (Version 1.50)" [p.4](#)

- The aspect ratios 21:9 and 16:6 have been added to "Screen Size and Projection Distance".
- A note on setting the "Monitor Password" has been added.

Updates to Projector Menus (Version 1.50)

The following projector menus change in firmware version 1.50.

- The **Up to 4K 120Hz 40Gbps** setting has been added to **Signal > Advanced > EDID > EDID Mode** with HDMI 2.1 support.

Updates to Supported Software (Version 1.50)

Version 1.50 firmware supports the following software in addition to the existing optional software available for your projector.

- Epson Projector Professional Tool Ver. 1.52

See *Epson Professional Projector Tool Operation Guide* for more details.

Updates to User Operations (Version 1.50)

The following projector operations change in firmware version 1.50.

- This version supports Camera Assist V150.

See the following for details.

https://download2.ebz.epson.net/sec_pubs_visual/camera_assist/EN

- For the EB-PQ2216 and EB-PQ2220, there are no restrictions on using a 100 V power cord.

Details of Updated Firmware

Check these sections for the updated details of firmware.

▶ **Related Links**

- "Details of Updated Projector Menus (Version 1.50)" [p.6](#)
- "Details of User Operation Change (Version 1.50)" [p.7](#)

Refer to these sections for details about projector menu changes.

▶ **Related Links**

- "Up to 4K 120Hz 40Gbps for EDID Mode" [p.6](#)

Up to 4K 120Hz 40Gbps for EDID Mode

The **Up to 4K 120Hz 40Gbps** setting has been added to **Signal > Advanced > EDID > EDID Mode** with HDMI 2.1 support.

Previous EDID Mode Menu (Version 1.00)

Up to 4K 60Hz 18Gbps, Up to 4K 60Hz 10Gbps, Up to 2K 60Hz 10Gbps, Custom

New EDID Mode Menu (Version 1.50)

Up to 4K 120Hz 40Gbps, Up to 4K 60Hz 18Gbps, Up to 4K 60Hz 10Gbps, Up to 2K 60Hz 10Gbps, Custom

The supported monitor display resolution for HDMI has also been changed. See the *Specifications* for each model for more details.

Refer to these sections for details on changes to user operations.

▶ Related Links

- "Selecting the Image Aspect (Camera Assist V150)" [p.7](#)
- "Overshoot Light (Camera Assist V150)" [p.7](#)
- "Unrestricted Use of 100 V Power Cord (for EB-PQ2216 and EB-PQ2220)" [p.7](#)
- "Added Aspect Ratios 21:9 and 16:6 to "Screen Size and Projection Distance"" [p.7](#)
- "Note on the Monitor Password" [p.13](#)

Selecting the Image Aspect (Camera Assist V150)

Geometry Assist wizard for the Epson Projector Professional Tool is now available even when the input video aspect ratio is 16:9.

Previous version (Version 1.00)

Geometry Assist wizard for the Epson Projector Professional Tool only supported 16:10.

New version (Version 1.50)

The following function of **Geometry Assist** supports 16:9 video aspect in addition to 16:10.

- Stacking
- Blending (horizontal direction only)
- Stacking & blending (horizontal direction only)

Overshoot Light (Camera Assist V150)

Epson Projector Professional Tool's **Geometry Assist** wizard now supports overshoot light.

The projected images can be automatically adjusted even when the projected image extends onto the wall adjacent to the wall of the target projection area.

Unrestricted Use of 100 V Power Cord (for EB-PQ2216 and EB-PQ2220)

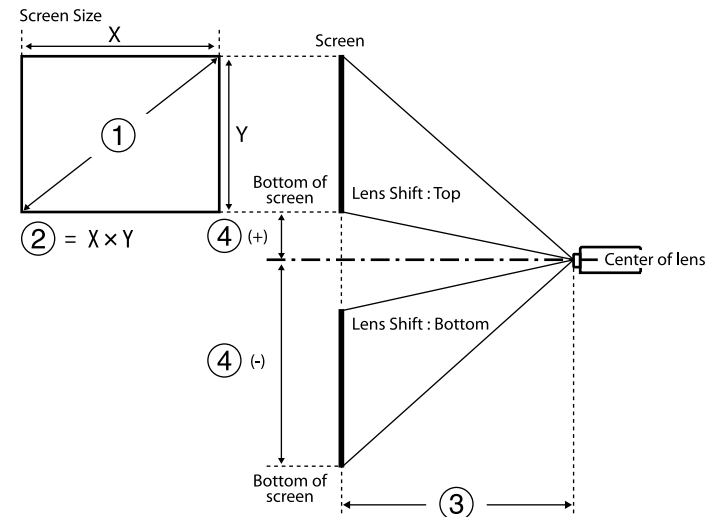
For the EB-PQ2216 and EB-PQ2220, the following restrictions do not apply when using a 100 V power cord.

- The maximum brightness is limited.
- Light Source Mode, Estimated Remains, Refresh Mode, and Light Source Calibration functions cannot be used.

Added Aspect Ratios 21:9 and 16:6 to "Screen Size and Projection Distance"

The aspect ratios 21:9 and 16:6 have been added to "Screen Size and Projection Distance". See the following for more details.

Projection Distance Formula



- ① Screen size (inches)
- ② Screen size (Width × Height)
- ③ Projection distance (Minimum: Wide to Maximum: Tele)
- ④ Distance from the center of the lens to the bottom of the screen

21:9

Lens	Projection distance formula		Throw ratio (projection distance/x)
ELPLX02 ELPLX02W ELPLX02S ELPLX02WS	-	③ (cm) = ① (inches) × 0.81 - 3.41	0.34
ELPLU03 ELPLU03S	Minimum	③ (cm) = ① (inches) × 1.10 - 3.47	0.46 - 0.56
	Maximum	③ (cm) = ① (inches) × 1.32 - 3.28	
ELPLU04	Minimum	③ (cm) = ① (inches) × 1.48 - 5.23	0.62 - 0.75
	Maximum	③ (cm) = ① (inches) × 1.79 - 5.30	
ELPLW05	Minimum	③ (cm) = ① (inches) × 1.79 - 7.87	0.74 - 1.04
	Maximum	③ (cm) = ① (inches) × 2.46 - 5.81	
ELPLW08	Minimum	③ (cm) = ① (inches) × 1.97 - 3.98	0.83 - 1.17
	Maximum	③ (cm) = ① (inches) × 2.77 - 5.13	
ELPLW06	Minimum	③ (cm) = ① (inches) × 2.74 - 7.47	1.15 - 1.57

Lens	Projection distance formula		Throw ratio (projection distance/x)
	Maximum	③ (cm) = ① (inches) × 3.72 - 6.97	
ELPLM08	Minimum	③ (cm) = ① (inches) × 2.42 - 5.10	1.02 - 1.64
	Maximum	③ (cm) = ① (inches) × 3.88 - 4.54	
ELPLM09 ELPLM15	Minimum	③ (cm) = ① (inches) × 3.61 - 8.09	1.52 - 2.47
	Maximum	③ (cm) = ① (inches) × 5.84 - 8.00	
ELPLM10	Minimum	③ (cm) = ① (inches) × 5.58 - 13.19	2.34 - 3.59
	Maximum	③ (cm) = ① (inches) × 8.48 - 13.07	
ELPLM11	Minimum	③ (cm) = ① (inches) × 8.19 - 23.84	3.42 - 5.23
	Maximum	③ (cm) = ① (inches) × 12.40 - 23.54	
ELPLL08	Minimum	③ (cm) = ① (inches) × 12.16 - 32.22	5.09 - 7.16
	Maximum	③ (cm) = ① (inches) × 16.98 - 31.78	

Lens	Distance from the center of the lens to the base of the screen
ELPLX02 ELPLX02W ELPLX02S ELPLX02WS	④ (+) (cm) = ① (inches) × 0.39 ④ (-) (cm) = ① (inches) × 0.09

Lens	Distance from the center of the lens to the base of the screen
ELPLU03 ELPLU03S ELPLW05 ELPLM08	$\text{④ (+) (cm)} = \text{① (inches)} \times 0.26$ $\text{④ (-) (cm)} = \text{① (inches)} \times 0.74$
ELPLU04 ELPLW08 ELPLW06 ELPLM09 ELPLM15 ELPLM10 ELPLM11 ELPLL08	$\text{④ (+) (cm)} = \text{① (inches)} \times 0.26$ $\text{④ (-) (cm)} = \text{① (inches)} \times 1.26$

Lens	Projection distance formula		Throw ratio (projection distance/x)
ELPLW05	Minimum	$\text{③ (cm)} = \text{① (inches)} \times 1.82 - 7.87$	0.74 - 1.04
	Maximum	$\text{③ (cm)} = \text{① (inches)} \times 2.51 - 5.81$	
ELPLW08	Minimum	$\text{③ (cm)} = \text{① (inches)} \times 2.01 - 3.98$	0.83 - 1.17
	Maximum	$\text{③ (cm)} = \text{① (inches)} \times 2.82 - 5.13$	
ELPLW06	Minimum	$\text{③ (cm)} = \text{① (inches)} \times 2.79 - 7.47$	1.15 - 1.57
	Maximum	$\text{③ (cm)} = \text{① (inches)} \times 3.79 - 6.97$	
ELPLM08	Minimum	$\text{③ (cm)} = \text{① (inches)} \times 2.47 - 5.10$	1.02 - 1.64
	Maximum	$\text{③ (cm)} = \text{① (inches)} \times 3.95 - 4.54$	
ELPLM09 ELPLM15	Minimum	$\text{③ (cm)} = \text{① (inches)} \times 3.68 - 8.09$	1.52 - 2.47
	Maximum	$\text{③ (cm)} = \text{① (inches)} \times 5.95 - 8.00$	
ELPLM10	Minimum	$\text{③ (cm)} = \text{① (inches)} \times 5.69 - 13.19$	2.34 - 3.59
	Maximum	$\text{③ (cm)} = \text{① (inches)} \times 8.64 - 13.07$	
ELPLM11	Minimum	$\text{③ (cm)} = \text{① (inches)} \times 8.34 - 23.84$	3.42 - 5.23
	Maximum	$\text{③ (cm)} = \text{① (inches)} \times 12.63 - 23.54$	

16:6

Lens	Projection distance formula		Throw ratio (projection distance/x)
ELPLX02 ELPLX02W ELPLX02S ELPLX02WS	-	$\text{③ (cm)} = \text{① (inches)} \times 0.82 - 3.41$	0.34
ELPLU03 ELPLU03S	Minimum	$\text{③ (cm)} = \text{① (inches)} \times 1.12 - 3.47$	0.46 - 0.56
	Maximum	$\text{③ (cm)} = \text{① (inches)} \times 1.34 - 3.28$	
ELPLU04	Minimum	$\text{③ (cm)} = \text{① (inches)} \times 1.51 - 5.23$	0.62 - 0.75
	Maximum	$\text{③ (cm)} = \text{① (inches)} \times 1.82 - 5.30$	

Lens	Projection distance formula		Throw ratio (projection distance/x)
ELPLL08	Minimum	③ (cm) = ① (inches) × 12.38 - 32.22	5.09 - 7.16
	Maximum	③ (cm) = ① (inches) × 17.3 - 31.78	

Lens	Distance from the center of the lens to the base of the screen
ELPLX02 ELPLX02W ELPLX02S ELPLX02WS	④ (+) (cm) = ① (inches) × 0.46 ④ (-) (cm) = ① (inches) × 0.16
ELPLU03 ELPLU03S ELPLW05 ELPLM08	④ (+) (cm) = ① (inches) × 0.20 ④ (-) (cm) = ① (inches) × 0.69
ELPLU04 ELPLW08 ELPLW06 ELPLM09 ELPLM15 ELPLM10 ELPLM11 ELPLL08	④ (+) (cm) = ① (inches) × 0.33 ④ (-) (cm) = ① (inches) × 1.22

Projection Distance

21:9

ELPLX02S/ELPLX02WS/ELPLX02/ELPLX02W

①	②	③	④
Inches	Width × Height	ELPLX02S/ELPLX02WS/ELPLX02/ ELPLX02W	
100	233 × 100	78	9 - 39
110	257 × 110	86	10 - 43
120	280 × 120	94	11 - 47
150	350 × 150	118	14 - 59
200	467 × 200	159	18 - 78
300	700 × 300	240	27 - 117
500	1167 × 500	401	45 - 196
600	1401 × 600	482	54 - 235
800	1868 × 800	644	72 - 313

ELPLU03/ELPLU03S/ELPLM08

①	②	③		④
Inches	Width × Height	ELPLU03 ELPLU03S	ELPLM08	
80	187 × 80	84-102	189-306	-59 - -21
100	233 × 100	106-129	237-383	-74 - -26
120	280 × 120	128-155	286-461	-88 - -32
150	350 × 150	161-195	359-577	-111 - -40
200	467 × 200	216-261	480-771	-147 - -53
250	584 × 250	271-327	601-965	-184 - -66
300	700 × 300	326-393	722-1159	-221 - -79
500	1167 × 500	546-656	1207-1935	-368 - -132
800	1868 × 800	875-1052	1934-3099	-590 - -211

**ELPLU04/ELPLW06/ELPLW08/ELPLM09/ELPLM15/ELPLM10/ELPLM11/
ELPLL08**

① Inches	② Width × Height	③							④
		ELPLU04	ELPLW06	ELPLW08	ELPLM09 ELPLM15	ELPLM10	ELPLM11	ELPLL08	
60	140 × 60	84-102	157-216	114-161	209-342	322-496	467-720	697-987	-76 - 16
80	187 × 80	113-138	212-291	154-217	281-459	433-666	631-968	940-1327	-101 - 21
100	233 × 100	143-173	266-365	193-272	353-576	545-835	795-1216	1183-1666	-126 - 26
120	280 × 120	173-209	321-440	233-327	426-693	657-1005	958-1464	1427-2006	-151 - 31
150	350 × 150	217-263	403-551	292-411	534-868	824-1260	1204-1836	1791-2515	-189 - 39
200	467 × 200	291-352	540-737	390-549	715-1160	1103-1684	1613-2456	2399-3364	-252 - 52
300	700 × 300	439-530	814-1109	587-826	1076-1743	1662-2532	2432-3695	3615-5062	-379 - 79
500	1167 × 500	735-888	1362-1854	1799-2911	1799-2911	2778-4229	4069-6174	6046-8459	-631 - 131
800	1868 × 800	1180-1423	2183-2970	2883-4663	2883-4663	4453-6774	6525-9893	9694-13553	-1010 - 209

ELPLW05

①	②	③	④
Inches	Width × Height	ELPLW05	
60	140 × 60	99-142	-44 - -16

①	②	③	④
Inches	Width × Height	ELPLW05	
80	187 × 80	135-191	-59 - -21
100	233 × 100	171-240	-74 - -26
120	280 × 120	206-290	-88 - -32
150	350 × 150	260-364	-111 - -40
200	467 × 200	349-487	-147 - -53
300	700 × 300	528-733	-221 - -79
500	1167 × 500	885-1225	-368 - -132
800	1868 × 800	1420-1964	-590 - -211

16:6

ELPLX02S/ELPLX02WS/ELPLX02/ELPLX02W

①	②	③	④
Inches	Width × Height	ELPLX02S/ELPLX02WS/ELPLX02/ ELPLX02W	
100	238 × 89	79	16 - 46
110	262 × 98	87	17 - 51
120	285 × 107	96	19 - 55
150	357 × 134	120	23 - 69
200	476 × 178	162	31 - 92
300	713 × 268	244	47 - 139
500	1189 × 446	409	78 - 231
600	1427 × 535	491	94 - 277
800	1903 × 713	656	125 - 370

ELPLU03/ELPLU03S/ELPLM08

①	②	③		④
Inches	Width × Height	ELPLU03 ELPLU03S	ELPLM08	
80	190 × 71	86-104	192-312	-55 - -16
100	238 × 89	108-131	242-391	-69 - -20
120	285 × 107	131-158	291-470	-82 - -25
150	357 × 134	164-198	365-588	-103 - -31
200	476 × 178	220-266	489-786	-137 - -41
250	595 × 223	276-333	612-983	-172 - -51
300	713 × 268	332-400	736-1181	-206 - -61
500	1189 × 446	556-669	1230-1972	-343 - -102
800	1903 × 713	891-1072	1970-3157	-550 - -164

①	②	③							④
Inches	Width × Height	ELPL U04	ELPL W06	ELPL W08	ELPL M09 ELPL M15	ELPL M10	ELPL M11	ELPLL 08	
150	357 × 134	221-268	411-562	297-418	544-884	840-1283	1227-1871	1825-2563	-183 - 50
200	476 × 178	297-358	550-751	398-560	728-1181	1124-1716	1644-2502	2445-3428	-244 - 66
300	713 × 268	447-540	829-1130	598-842	1096-1776	1693-2580	2478-3765	3683-5158	-367 - 99
500	1189 × 446	749-904	1387-1888	1000-1406	1833-2966	2830-4308	4145-6290	6160-8617	-611 - 165
800	1903 × 713	1202-1450	2224-3026	1602-2253	2937-4750	4536-6901	6647-10078	9875-13807	-978 - 264

ELPLU04/ELPLW06/ELPLW08/ELPLM09/ELPLM15/ELPLM10/ELPLM11/ELPLL08

ELPLW05

①	②	③							④
Inches	Width × Height	ELPL U04	ELPL W06	ELPL W08	ELPL M09 ELPL M15	ELPL M10	ELPL M11	ELPLL 08	
60	143 × 54	85-104	160-220	116-164	213-349	328-506	476-734	711-1006	-73 - 20
80	190 × 71	115-140	216-296	157-221	286-468	442-678	643-987	959-1352	-98 - 26
100	238 × 89	146-177	272-372	197-277	360-587	555-851	810-1239	1206-1698	-122 - 33
120	285 × 107	176-213	327-448	237-334	434-706	669-1024	977-1492	1454-2044	-147 - 40

①	②	③	④
Inches	Width × Height	ELPLW05	
60	143 × 54	101-145	-41 - -12
80	190 × 71	138-195	-55 - -16
100	238 × 89	174-245	-69 - -20
120	285 × 107	210-295	-82 - -25
150	357 × 134	265-370	-103 - -31
200	476 × 178	356-496	-137 - -41
300	713 × 268	538-747	-206 - -61
500	1189 × 446	901-1248	-343 - -102
800	1903 × 713	1447-2001	-550 - -164

Note on the Monitor Password

The Monitor Password is useful for monitoring projectors with a switcher and a system controller, or when using Epson Projector Management ver.5.30 or earlier.



- The Monitor Password can only be set when **Compatible** is selected for Command Communication.
- When setting the Monitor Password, use the same password as the one used for the switcher and the system controller.

Appendix

Refer to these sections for important notices.

▶ **Related Links**

- "Notices" [p.15](#)

Check these sections for important notices.

▶ **Related Links**

- "Copyright Notice" [p.15](#)
- "General Notice" [p.15](#)
- "Copyright Attribution" [p.15](#)

Copyright Notice

All rights reserved. No part of this publication may be reproduced, stored in a retrieval system, or transmitted in any form or by any means, electronic, mechanical, photocopying, recording, or otherwise, without the prior written permission of Seiko Epson Corporation. No patent liability is assumed with respect to the use of the information contained herein. Neither is any liability assumed for damages resulting from the use of the information contained herein.

Neither Seiko Epson Corporation nor its affiliates shall be liable to the purchaser of this product or third parties for damages, losses, costs, or expenses incurred by the purchaser or third parties as a result of: accident, misuse, or abuse of this product or unauthorized modifications, repairs, or alterations to this product, or (excluding the U.S.) failure to strictly comply with Seiko Epson Corporation's operating and maintenance instructions.

Seiko Epson Corporation shall not be liable against any damages or problems arising from the use of any options or any consumable products other than those designated as Original Epson Products or Epson Approved Products by Seiko Epson Corporation.

The contents of this guide may be changed or updated without further notice. Illustrations in this guide and the actual projector may differ.

General Notice

Other product names used herein are also for identification purposes only and may be trademarks of their respective owners. Epson disclaims any and all rights in those marks.

Software Copyright: This product uses free software as well as software to which this company holds the rights.

Copyright Attribution

This information is subject to change without notice.

© 2024 Seiko Epson Corporation

Rev.1.0 2024.08 EN