

# Home Projector

## EF-21 Series

Quick Start Guide

Kurzanleitung

Guide de démarrage rapide

Guida di avvio rapido

Guía de inicio rápido

Guia de Referência Rápida

Introductiehandleiding

Introduktion

Pika-aloitusopas

Hurtigveiledning

Snabbstartsguide

Úvodní příručka

Bevezetés

Przewodnik szybkiego startu

Stručná příručka

Ghid de pornire rapidă

Οδηγός γρήγορης εκκίνησης

Hızlı Başlangıç Kılavuzu

Priročnik za hitri zagon

Kratke upute

# EPSON

 Google TV

Руководство по быстрой установке

Коротка інструкція "Початок роботи"

Қысқаша іске қосу нұсқаулығы

빠른 시작 가이드

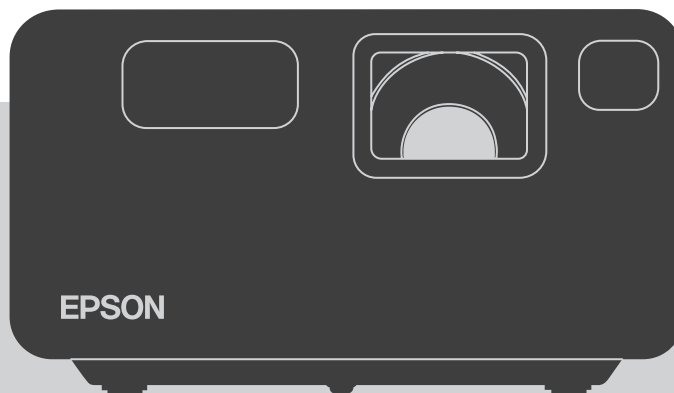
دليل البداية السريعة

設定手冊

設定説明書

Panduan Ringkas

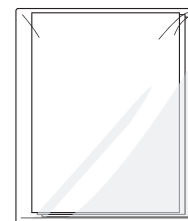
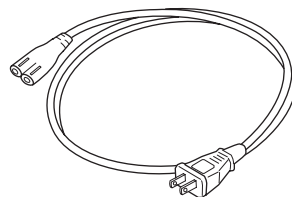
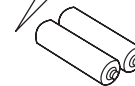
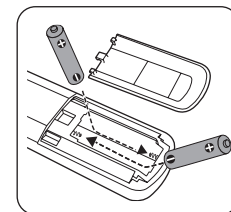
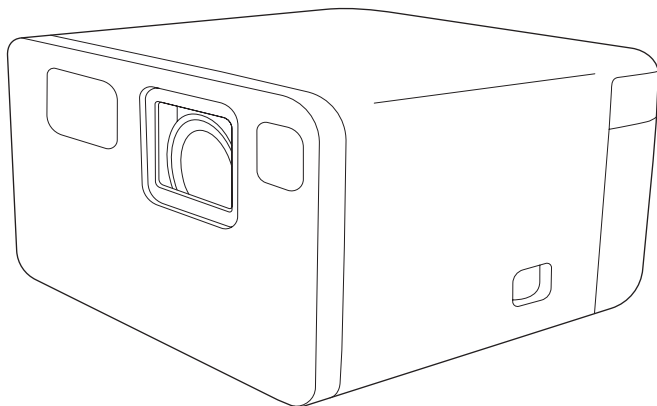
Hướng dẫn khởi động nhanh



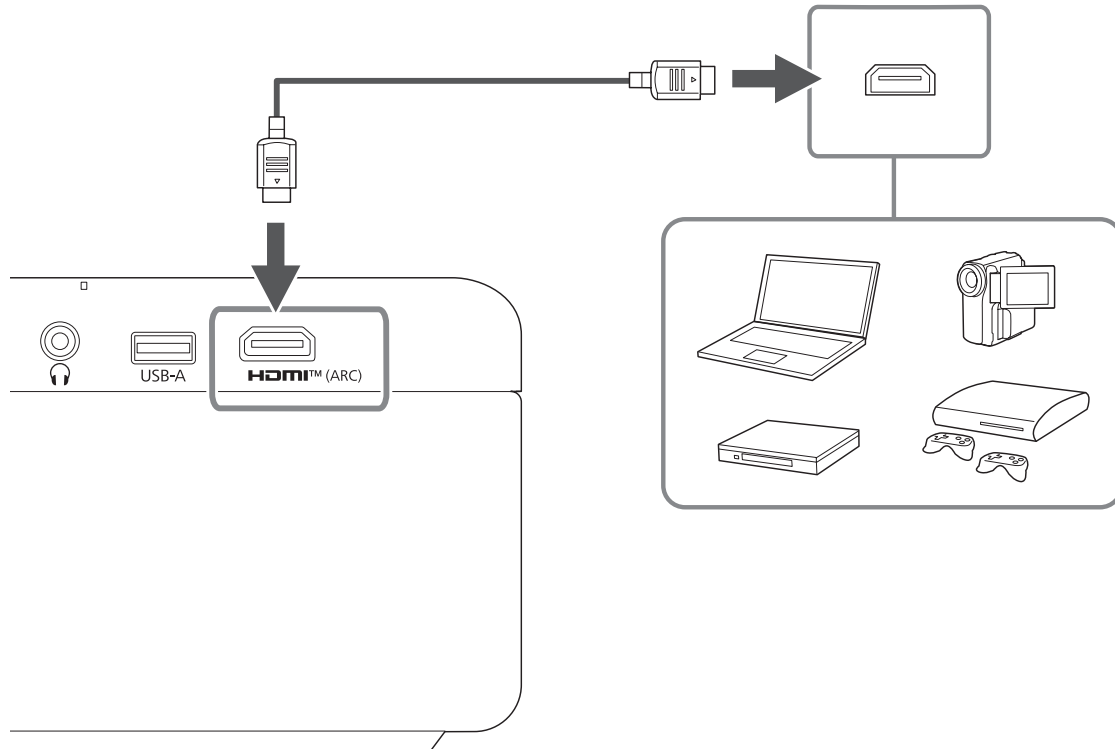
**HDMI**™  
HIGH DEFINITION MULTIMEDIA INTERFACE

**Dolby**  
AUDIO

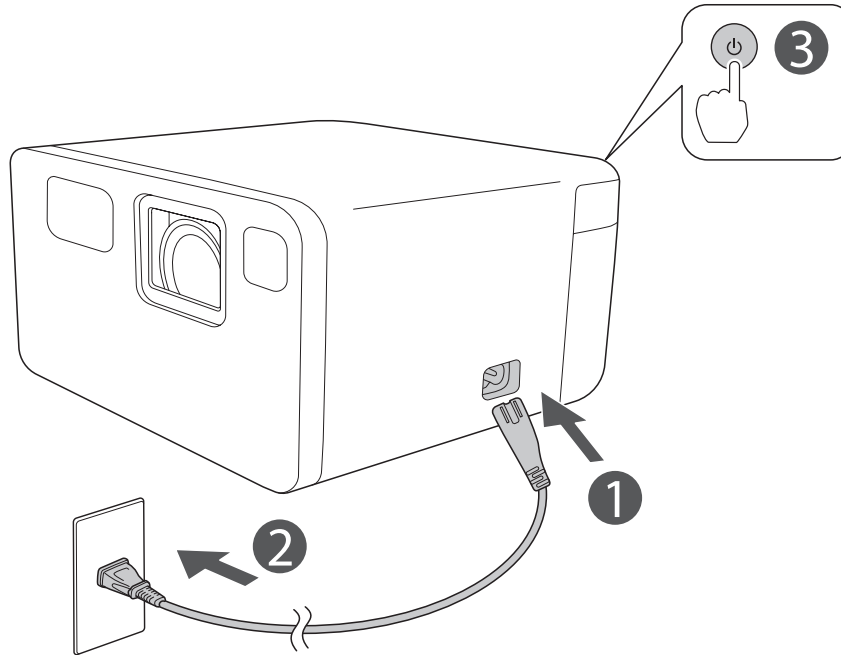
# Included items



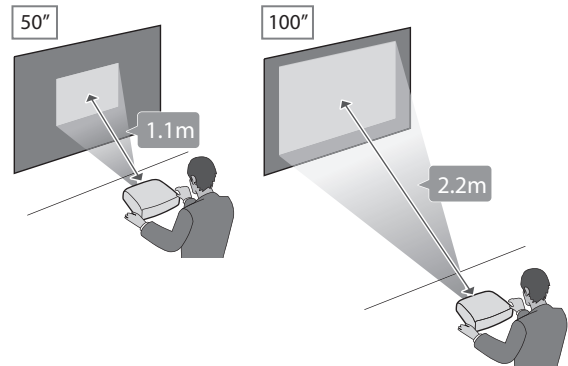
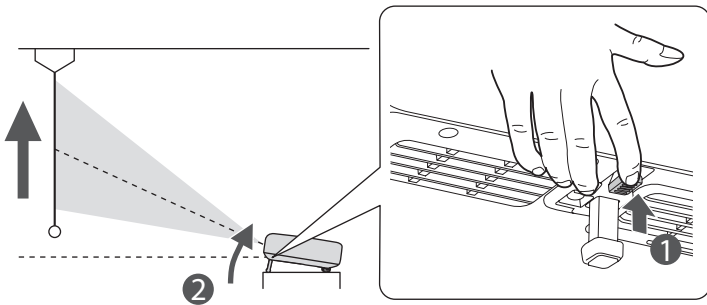
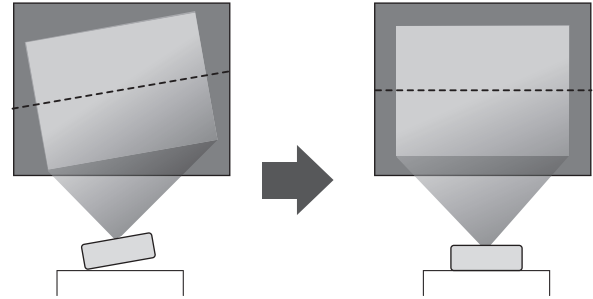
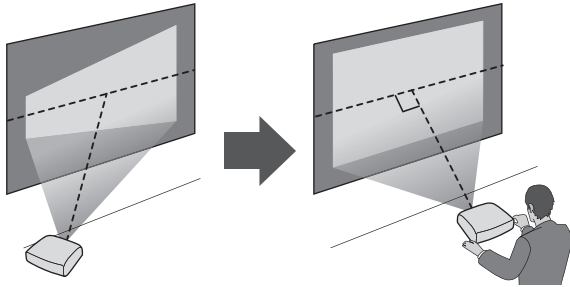
# Connecting



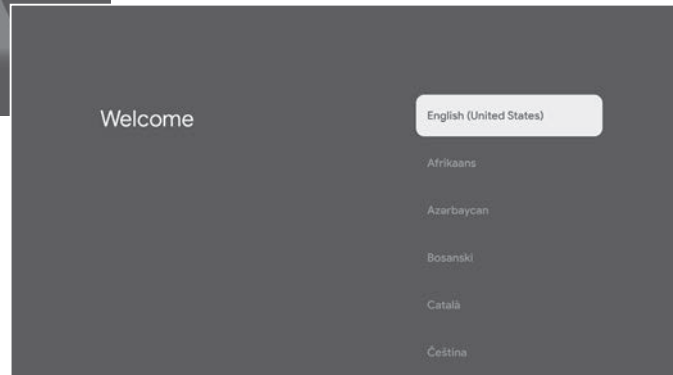
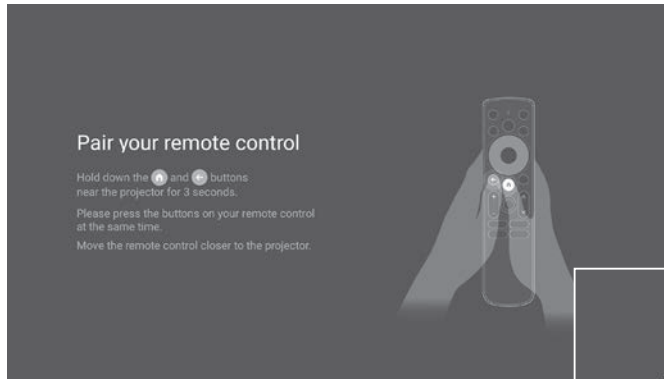
# 1 Turn on the projector



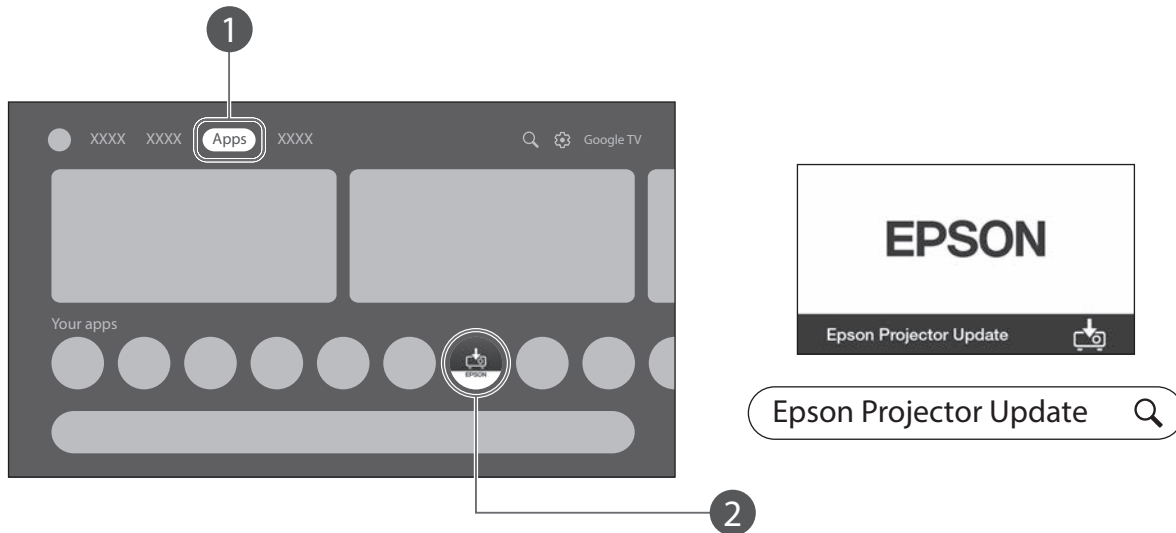
# 2 Install the projector



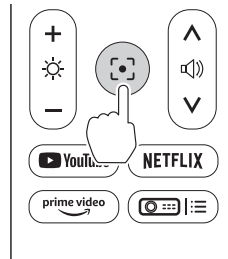
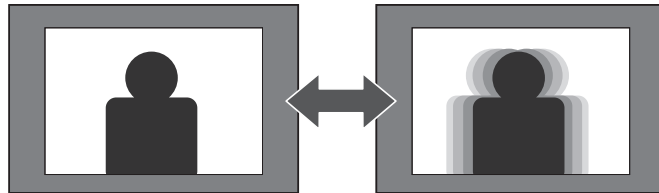
# 3 Pair the remote controller & Select your language



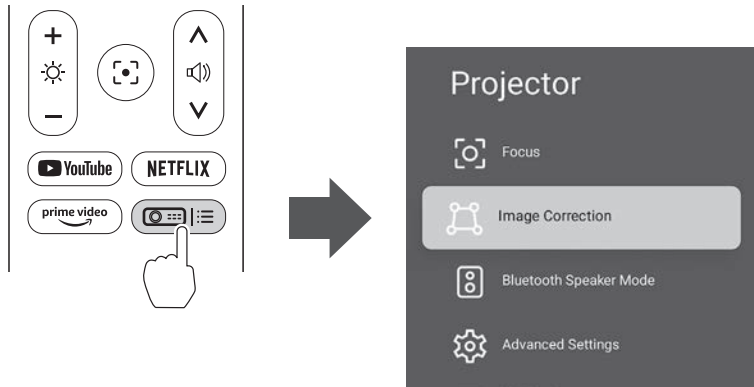
# 4 To check for the latest projector firmware, Open Epson Projector Update



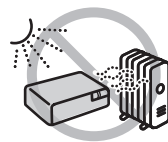
# 5 Correct the image











# For more information

epson.sn 



Covered by one or more claims of the HEVC patents listed at [patentlist.accessadvance.com](https://patentlist.accessadvance.com).

Google TV is the name of this device's software experience and a trademark of Google LLC. YouTube is a trademark of Google LLC.

Manufactured under license from Dolby Laboratories. Dolby, Dolby Audio, and the double-D symbol are trademarks of Dolby Laboratories Licensing Corporation.

The terms HDMI, HDMI High-Definition Multimedia Interface, HDMI Trade dress and the HDMI Logos are trademarks or registered trademarks of HDMI Licensing Administrator, Inc.

Netflix is a trademark of Netflix, Inc.

All brands contained herein are trademarks of their respective owners.

© 2024 Seiko Epson Corporation



\*414511900\*