

EPSON

User's Guide

Home Projector

EH-QS100B

EH-QS100W

Notations Used in This Guide 6

Using the Manual to Search for Information 7

- Searching by Keyword 7
- Jumping Directly from Bookmarks 7
- Printing Only the Pages You Need 7

Getting the Latest Version of the Documents 8

Introduction to Your Projector 9

Projector Features 10

- Realizing a Space-saving Large Screen 10
- Quick and Easy Setup 10

Projector Parts and Functions 11

- Projector Parts - Front 11
- Projector Parts - Top/Side 12
- Projector Parts - Base 13
- Projector Parts - Interface Ports 14
- Projector Parts - Control Panel 15
- Projector Parts - Remote Control 16

Setting Up the Projector 18

Projector Placement 19

- Projector Setup and Installation Options 20
- Precautions on Installation 21

Installing the Safety Wire 23

- When Using the Ceiling Mount ELPMB22 23
- When Using the Ceiling Mount ELPMB30 24
- When Using the Setting Plate ELPMB75 25

Projector Connections 28

- Connecting to an HDMI Video Source 28

- Connecting to a Computer for HDMI Video 28
- Connecting to External USB Devices 29
 - USB Device Projection 29
 - Connecting to a USB Device 29
 - Disconnecting a USB Device 30
- Connecting to a Streaming Media Player 30
- Connecting to an eARC/ARC Compatible AV System or External Speakers 31

Wired Network Connection 32

- Connecting to a Wired Network 32
- Selecting Wired Network Settings 32

Attaching and Removing the Side Cover 34

Installing Batteries in the Remote Control 35

Remote Control Operation 36

Using Basic Projector Features 37

Turning On the Projector 38

- Home Screen 39

Turning Off the Projector 41

Setting the Date and Time 42

Selecting the Language for the Projector Menus 45

Changing the Projection Mode 46

Setting the Screen Type 47

- Adjusting the Image Position Using Screen Position 48

Adjusting the Image Height 50

Displaying a Test Pattern 51

Focusing the Image Using the Focus Lever 52

Image Shape 53

- Correcting Distortion in the Image Using the Wizard 53

Correcting the Image Shape with Quick Corner	54
Correcting Image Shape with Arc Correction	57
Correcting Image Shape with Point Correction	59
Resizing the Image with Digital Zoom	62
Adjusting the Image Position Using Image Shift	63
Selecting an Image Source	65
Image Aspect Ratio	66
Changing the Image Aspect Ratio	66
Available Image Aspect Ratios	66
Adjusting Image Quality (Color Mode)	68
Changing the Color Mode	68
Available Color Modes	68
Turning On Automatic Luminance Adjustment	68
Setting Frame Interpolation	70
Adjusting the Image Color	72
Adjusting the Hue, Saturation, and Brightness	72
Adjusting the Gamma	73
Adjusting the Image Resolution	75
Adjusting the Brightness	77
Turning On Automatic Luminance Adjustment	77
Adjusting Projector Features	79
<hr/>	
HDMI Link Features	80
Operating the Connected Devices Using the HDMI Link Features	80
Projecting a PC Free Presentation	82
Supported PC Free File Types	82
Precautions on PC Free Projection	83
Starting a PC Free Slide Show	83
Starting a PC Free Movie Presentation	84

PC Free Display Options	85
Projecting in Content Playback Mode	87
Switching to Content Playback Mode	87
Projecting Your Playlists	88
Creating Playlists Using Epson Web Control	88
Adding Effects to Your Projected Image	90
Content Playback Mode Restrictions	92
Shutting Off the Image Temporarily	93
Saving Settings to Memory and Using Saved Settings	94
Projector Security Features	95
Locking the Projector's Buttons	95
Unlocking the Projector's Buttons	96
Installing a Security Cable	96
Secure HTTP	96
Importing a Web Server Certificate Using the Menus	96
Supported Web Server Certificates	97
Monitoring and Controlling the Projector	99
<hr/>	
Controlling a Networked Projector Using a Web Browser	100
Web Control Options	101
Registering Digital Certificates from a Web Browser	108
Using ESC/VP21 Commands	109
ESC/VP21 Command List	109
Cable Layouts	109
PJLink Support	110
Crestron Connected Support	111
Setting Up Crestron Connected Support	111
Web API	113
Enabling Web API	113

Setting Projector Event Schedules 114

Adjusting the Menu Settings 117

Using the Projector's Menus 118

Using the Displayed Keyboard 119

Available Text Using the Displayed Keyboard 119

Image Quality Settings - Image Menu 120

Input Signal Settings - Signal I/O Menu 122

Projector Installation Settings - Installation Menu 124

Projector Display Settings - Display Menu 126

Projector Feature Settings - Operation Menu 127

Projector Administration Settings - Management Menu 129

Projector Network Settings - Network Menu 131

Network Menu - Network Settings Menu 131

Network Menu - Wired LAN Menu 132

Network Menu - Projector Control Menu 132

Image Quality Memory Settings - Memory Menu 134

Projector Setup Settings - ECO Menu 135

Projector Initial Settings and Reset Options - Initial/All Settings Menu 136

Copying Menu Settings Between Projectors (Batch Setup) 137

Transferring Settings From a USB Flash Drive 137

Transferring Settings From a Computer 138

Batch Setup Error Notification 139

Maintaining the Projector 140

Projector Maintenance 141

Cleaning the Projection Window 142

Cleaning the Obstacle Sensor 143

Cleaning the Projector Case 144

Air Filter and Vent Maintenance 145

Cleaning the Air Filter 145

Replacing the Air Filter 147

Cleaning the Air Intake Vents 149

Adjusting the Color Convergence (Panel Alignment) 150

Updating the Firmware 152

Updating Firmware Using a USB Storage Device 152

Updating Firmware Using a Computer and USB Cable 153

Solving Problems 155

Projection Problems 156

Projector Indicator Status 157

Solving Image or Sound Problems 159

Solutions When No Image Appears 159

Solutions When "No Signal" Message Appears 160

Displaying From a Windows Laptop 160

Displaying From a Mac Laptop 160

Solutions When "Not Supported" Message Appears 160

Solutions When Only a Partial Image Appears 161

Solutions When the Image is not Rectangular 161

Solutions When the Image Contains Noise or Static 162

Solutions When the Image is Fuzzy or Blurry 162

Solutions When the Image Brightness or Colors are Incorrect 163

Solutions When an Afterimage Remains on the Projected Image 163

Solutions to Sound Problems 163

Solutions When Image and Sound are not in Sync 163

Solutions When Image File Names are not Displayed Correctly in PC Free 164

Solutions When You Cannot Project Images Using the PC Free Feature 164

Solving Projector or Remote Control Operation Problems 165

- Solutions to Projector Power or Shut-Off Problems 165
- Solutions to Problems with the Remote Control 165
- Solutions to Password Problems 166
- Solution When "The Battery that Saves Your Clock Settings is Running Low"
Message Appears 166

Solutions to Problems in Content Playback Mode 167

Solving Network Problems 168

- Solutions When You Cannot Access the Projector Through the Web 168

Solutions When HDMI Link does not Function 169

Appendix 170

Optional Accessories and Replacement Parts 171

- Screens 171
- Mounts 171
- External Devices 171
- Replacement Parts 171

Screen Size and Projection Distance 172

Supported Monitor Display Resolutions 174

Projector Specifications 175

- Connector Specifications 175

External Dimensions 176

Supported Features for Epson Projector Content Manager 177

List of Safety Symbols and Instructions 178

Laser Safety Information 180

- Laser Warning Labels 180

Glossary 183

Notices 185

FCC Compliance Statement 185

Indication of the manufacturer and the importer in accordance with requirements of EU directive 186

Indication of the manufacturer and the importer in accordance with requirements of United Kingdom directive 186

Restriction of Use 186

Operating System References 186

Trademarks 187

Copyright Notice 187



Copyright Attribution 187

Notations Used in This Guide



Safety Symbols

The projector and its manuals use graphical symbols and labels to indicate content that tells you how to use the projector safely.

Read and carefully follow the instructions that are marked with these symbols and labels to avoid injury to persons or damage to property.

 Warning	This symbol indicates information that, if ignored, could possibly result in personal injury or even death.
 Caution	This symbol indicates information that, if ignored, could possibly result in personal injury or physical damage due to incorrect handling.

General Information Notations

Attention	This label indicates procedures that may result in damage or injury if sufficient care is not taken.
	This label indicates additional information that may be useful to know.
[Button name]	Indicates the name of the buttons on the remote control or the control panel. Example: [Esc] button
Menu/Setting name	Indicates projector menu and setting names. Example: Select the Image menu
▶▶	This label indicates links to the related pages.
	This label indicates the projector's current menu level.

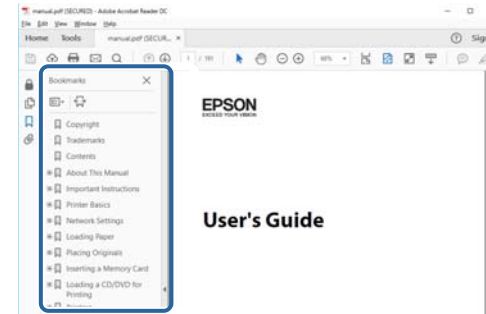
▶▶ Related Links

- "Using the Manual to Search for Information" [p.7](#)
- "Getting the Latest Version of the Documents" [p.8](#)

The PDF manual allows you to search for information you are looking for by keyword, or jump directly to specific sections using the bookmarks. You can also print only the pages you need. This section explains how to use a PDF manual that has been opened in Adobe Reader X on your computer.

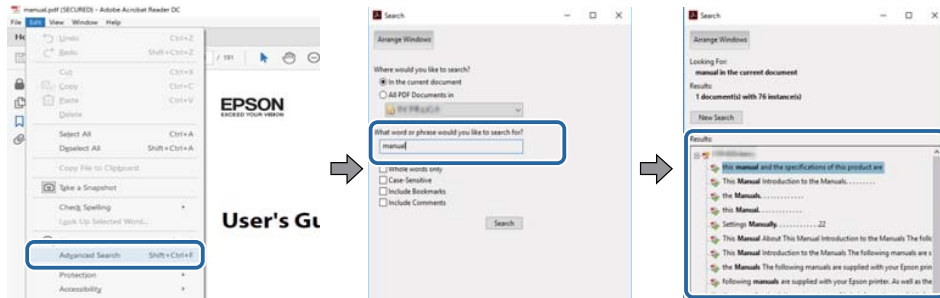
► Related Links

- "Searching by Keyword" [p.7](#)
- "Jumping Directly from Bookmarks" [p.7](#)
- "Printing Only the Pages You Need" [p.7](#)



Searching by Keyword

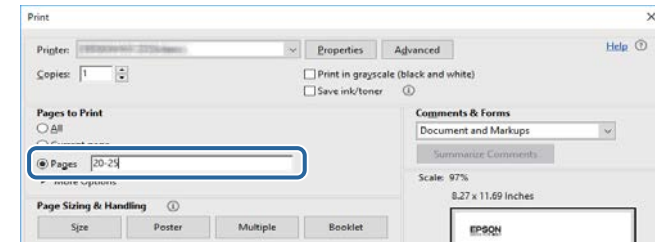
Click **Edit > Advanced Search**. Enter the keyword (text) for information you want to find in the search window, and then click **Search**. Hits are displayed as a list. Click one of the displayed hits to jump to that page.



Printing Only the Pages You Need

You can extract and print only the pages you need. Click **Print** in the **File** menu, and then specify the pages you want to print in **Pages** in **Pages to Print**.

- To specify a series of pages, enter a hyphen between the start page and the end page.
Example: 20-25
- To specify pages that are not in series, divide the pages with commas.
Example: 5, 10, 15



Jumping Directly from Bookmarks

Click a title to jump to that page. Click + or > to view the lower level titles in that section. To return to the previous page, perform the following operation on your keyboard.

- Windows: Hold down **Alt**, and then press **←**.
- Mac OS: Hold down the command key, and then press **←**.

You can get the latest version of the manuals and specifications on the Epson Web site.

Visit epson.sn, and enter your model name.

Introduction to Your Projector

Refer to these sections to learn more about your projector's features and part names.

▶ Related Links

- "Projector Features" [p.10](#)
- "Projector Parts and Functions" [p.11](#)

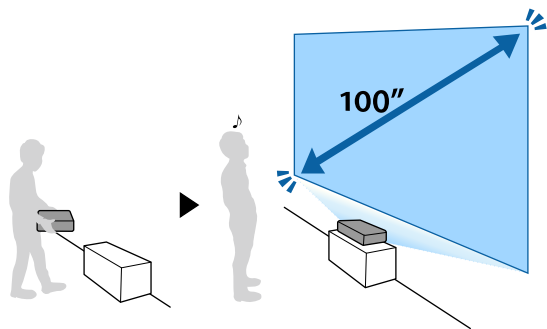
This projector comes with these special features. Refer to these sections for more details.

▶▶ Related Links

- "Realizing a Space-saving Large Screen" [p.10](#)
- "Quick and Easy Setup" [p.10](#)

Realizing a Space-saving Large Screen

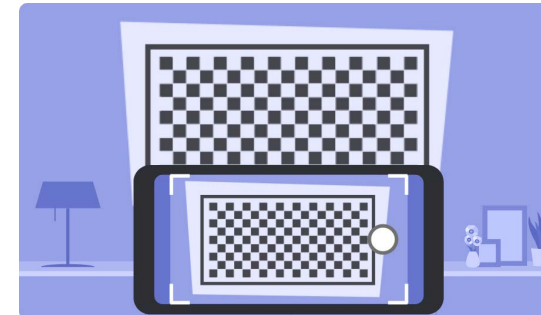
You can easily install an impressive, 100 inch screen in a small space.



- 4,500 lm of high brightness realizes crisp, clean images even in bright environments.
- The high resolution of 4K enhancement technology allows you to display more information than when using WUXGA or Full HD.
- The projector can be carried by one person and can be easily installed by just placing it beside a wall.
- You can project a 100 inch screen from the projector installed close to the wall. Since the projected light is not blocked by shadows, you can make effective use of your meeting space.
- You can install the projector in a variety of positions such as on a desk, wall, or ceiling.

Quick and Easy Setup

- You can use the Epson Setting Assistant application on a smart phone or tablet that has a camera function to correct distortion more easily.



▶▶ Related Links

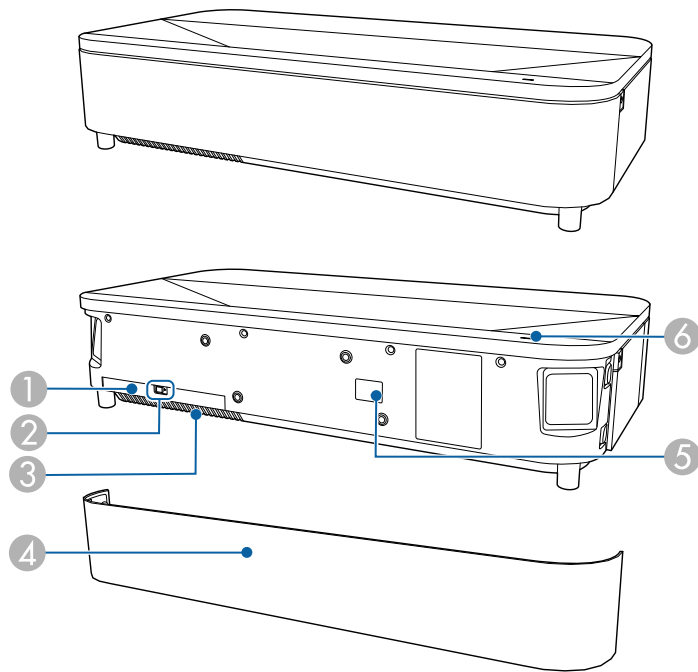
- "Correcting Distortion in the Image Using the Wizard" [p.53](#)

The following sections explain the projector parts and their functions.

► Related Links

- "Projector Parts - Front" [p.11](#)
- "Projector Parts - Top/Side" [p.12](#)
- "Projector Parts - Base" [p.13](#)
- "Projector Parts - Interface Ports" [p.14](#)
- "Projector Parts - Control Panel" [p.15](#)
- "Projector Parts - Remote Control" [p.16](#)

Projector Parts - Front

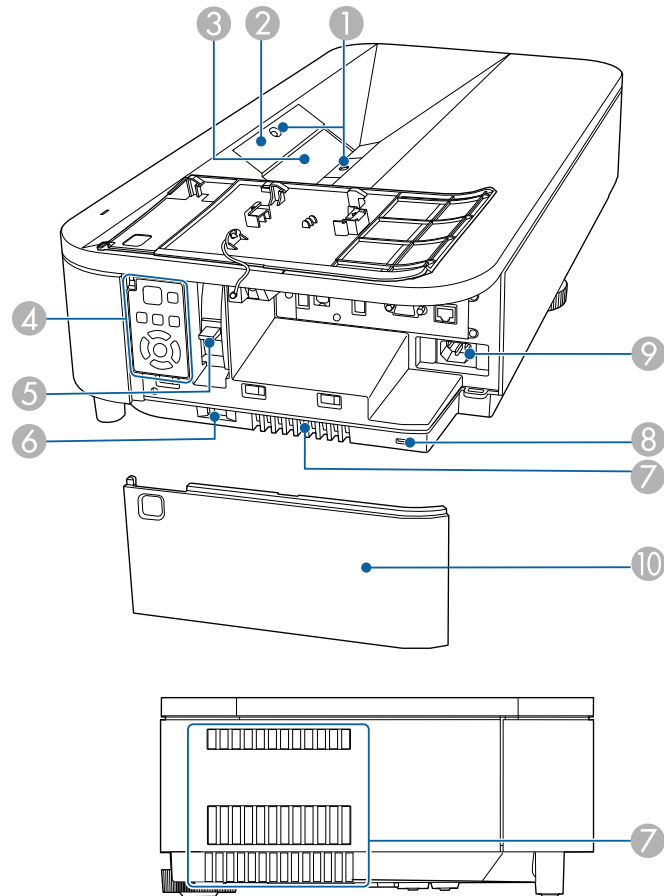


Name	Function
① Air filter cover	Open to access the air filter.
② Air filter cover latch	Slide to remove the air filter cover.
③ Air intake vent (air filter)	Takes in air to cool the projector internally.
④ Front cover	Open to access the air filter cover.
⑤ Remote receiver	Receives signals from the remote control.
⑥ Status indicator	Indicates the projector's status.

► Related Links

- "Air Filter and Vent Maintenance" [p.145](#)
- "Remote Control Operation" [p.36](#)
- "Projector Indicator Status" [p.157](#)

Projector Parts - Top/Side



Name	Function
1 Obstacle sensors	Detects obstacles that are interfering with the projection area and reduces the brightness of the light source for safety.
2 Remote receiver	Receives signals from the remote control.

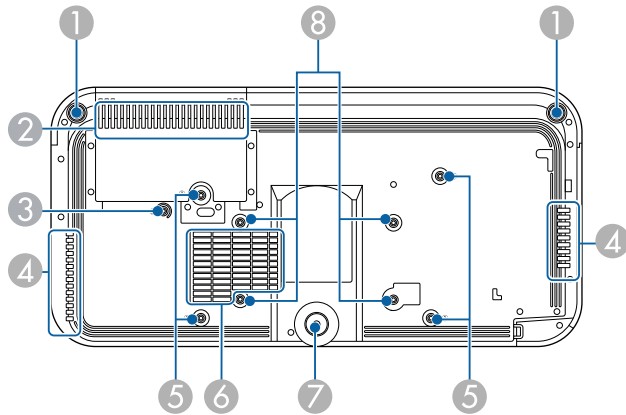
Name	Function
3 Projection window	Images are projected from the lens inside the projector. <div style="border: 1px solid black; padding: 5px; margin-top: 10px;"> <p>Warning</p> <ul style="list-style-type: none"> Do not look into the projection window while projecting. Do not place any objects or put your hand near the projection window. It could cause burns, fire, or the object to warp because this area reaches a high temperature due to the concentrated projection light. </div>
4 Control panel	Operates the projector.
5 Focus lever	Adjusts the image focus.
6 Side cover latch	Slide to remove the side cover.
7 Air exhaust vent	Exhaust vent for air used to cool the projector internally. <div style="border: 1px solid black; padding: 5px; margin-top: 10px;"> <p>Caution</p> <p>While projecting, do not put your face or hands near the air exhaust vent, and do not place objects that may become warped or damaged by heat near the vent. Hot air from the air exhaust vent could cause burns, warping, or accidents to occur.</p> </div>
8 Security slot	The security slot is compatible with the Microsaver Security System manufactured by Kensington.
9 Power inlet	Connects the power cord to the projector.
10 Side cover	Open to access the interface ports, focus lever, and control panel.

►► **Related Links**

- "Cleaning the Obstacle Sensor" [p.143](#)

- "Cleaning the Projection Window" p.142
- "Air Filter and Vent Maintenance" p.145
- "Projector Parts - Control Panel" p.15
- "Focusing the Image Using the Focus Lever" p.52
- "Remote Control Operation" p.36
- "Installing a Security Cable" p.96
- "Attaching and Removing the Side Cover" p.34

Projector Parts - Base



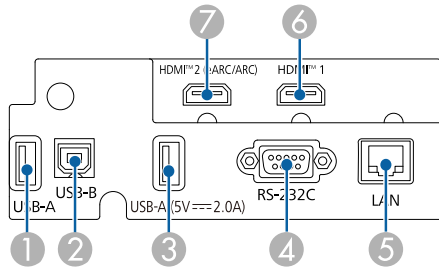
Name	Function
① Front adjustable feet	When the projector is setup on a surface such as a desk, turn the feet to correct image distortion. ⚠ Caution Remove all feet when you install the projector on a wall or suspend it from a ceiling.
② Air intake vent (air filter)	Takes in air to cool the projector internally.


Name	Function
③ Wire clamp fixing point	When you use the optional setting plate or ceiling mount, fix the carabiner here to attach the safety wire and prevent the projector from falling from the wall or ceiling. This point is marked with a ② on the projector.
④ Air exhaust vent	Exhaust vent for air used to cool the projector internally. ⚠ Caution While projecting, do not put your face or hands near the air exhaust vent, and do not place objects that may become warped or damaged by heat near the vent. Hot air from the air exhaust vent could cause burns, warping, or accidents to occur.
⑤ Fixing points (four points)	Use these points to attach the optional mount when installing the projector on a wall or suspending the projector from a ceiling. This point is marked with a ① on the projector.
⑥ Air intake vent	Takes in air to cool the projector internally.
⑦ Rear adjustable foot	When setup on a surface such as a desk, extend the foot to adjust the position of the image. ⚠ Caution Remove all feet when you install the projector on a wall or suspend it from a ceiling.
⑧ VESA mount fixing points (four points)	Use these points to attach the commercially available mount compatible with the VESA Mounting Interface Standard (100 × 200 mm) when installing the projector on a wall or suspending the projector from a ceiling.


►► **Related Links**

- "Air Filter and Vent Maintenance" [p.145](#)
- "Installing a Security Cable" [p.96](#)

Projector Parts - Interface Ports



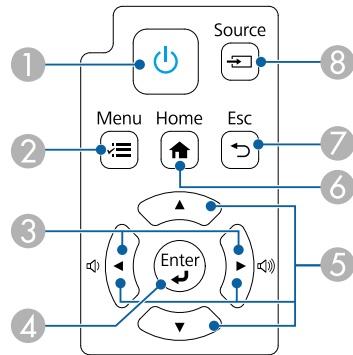
Name	Function
① USB-A port (USB-A1)	<p>Use to connect a USB memory device or digital camera for projecting movies or images using the PC Free feature or in Content Playback mode.</p> <p>Use to connect a USB memory device to save error and operation log files.</p> <div style="border: 1px solid black; padding: 5px; margin-top: 10px;">  In this guide, USB-A1 and USB-A2 ports are collectively referred to as the USB-A port. </div>
② USB-B port	This port is used for batch settings and firmware update.

Name	Function
③ USB-A (5V===2.0A) port (USB-A2)	<p>Use to connect a USB memory device or digital camera for projecting movies or images using the PC Free feature or in Content Playback mode.</p> <p>Use to connect a USB memory device to save error and operation log files.</p> <p>Provides a connection for a commercially available streaming media player allowing you to power it.</p> <div style="border: 1px solid black; padding: 5px; margin-top: 10px;">  In this guide, USB-A1 and USB-A2 ports are collectively referred to as the USB-A port. </div>
④ RS-232C port	Use to connect an RS-232C cable to control the projector from a computer. (This port is for control use and should not normally be used.)
⑤ LAN port	Use to connect a LAN cable to connect to a network.
⑥ HDMI1 port	<p>Inputs video signals from HDMI compatible video equipment and computers.</p> <p>Compatible with HDCP 2.3.</p>
⑦ HDMI2 (eARC/ARC) port	<p>Inputs video signals from HDMI compatible video equipment and computers.</p> <p>Compatible with HDCP 2.3.</p> <p>Compatible with HDMI eARC/ARC.</p>

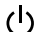

►► **Related Links**

- "Projector Connections" [p.28](#)
- "Installing a Security Cable" [p.96](#)

Projector Parts - Control Panel



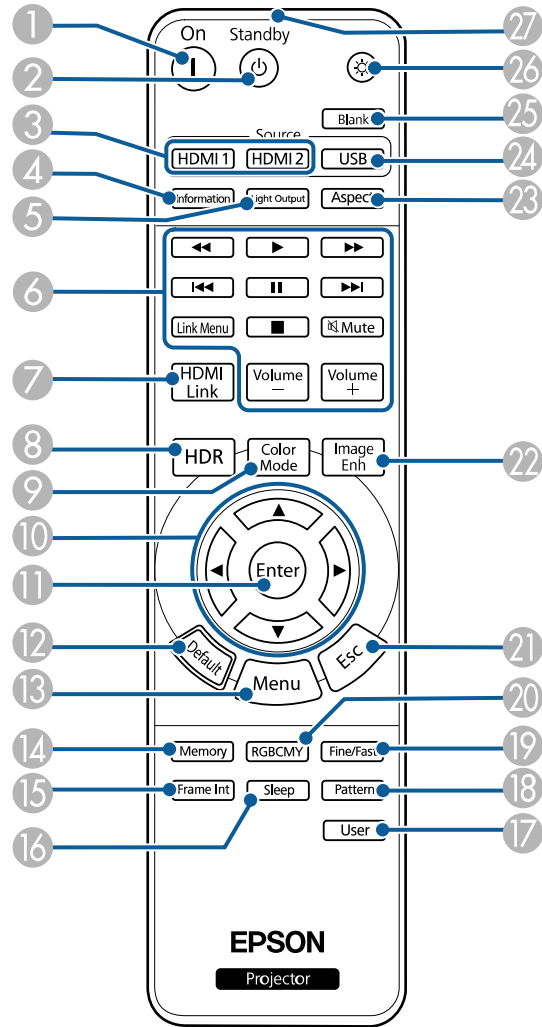
- "Adjusting the Menu Settings" [p.117](#)
- "Home Screen" [p.39](#)
- "Selecting an Image Source" [p.65](#)

Name	Function
① Power button []	Turns the projector on or off.
② [Menu] button	Displays and closes the projector's menu.
③ Volume buttons	Adjusts the volume of any external speakers. Selects menu items while displaying the projector's menu.
④ [Enter] button []	Enters the current selection and moves to the next level while displaying the projector's menu.
⑤ Arrow buttons	Selects menu items while displaying the projector's menu.
⑥ [Home] button	Displays and closes the Home screen.
⑦ [Esc] button	Stops the current function. Moves back to the previous menu level while displaying the projector's menu.
⑧ [Source] button	Changes to the next input source.

► Related Links

- "Turning On the Projector" [p.38](#)

Projector Parts - Remote Control



Name	Function
② [Standby] button	Turns the projector off.
③ [HDMI1]/[HDMI2] button	Switches the image source between the HDMI1 and HDMI2 (eARC/ARC) ports.
④ [Information] button	Displays the Information screen.
⑤ [Light Output] button	Displays the Brightness Level screen.
⑥ Playback control buttons	Controls playback of the connected devices that support the HDMI CEC standard.
⑦ [HDMI Link] button	Displays the HDMI Link screen.
⑧ [HDR] button	Displays the Dynamic Range screen.
⑨ [Color Mode] button	Displays the Color Mode screen.
⑩ Arrow buttons	Selects menu items while displaying the projector's menu.
⑪ [Enter] button	Enters the current selection and moves to the next level while displaying the projector's menu.
⑫ [Default] button	Returns the selected setting to its default value.
⑬ [Menu] button	Displays and closes the projector's menu.
⑭ [Memory] button	Displays the Memory menu.
⑮ [Frame Int] button	Sets the strength for Frame Interpolation .
⑯ [Sleep] button	Set to On to automatically turn off the projector after an interval of inactivity.
⑰ [User] button	Performs settings assigned in the User Button setting in the projector's Management menu.
⑱ [Pattern]	Displays the Test Pattern screen.
⑲ [Fine/Fast] button	Displays the Image Processing screen.
⑳ [RGBCMY] button	Adjusts the hue, saturation, and brightness for each RGBCMY color.

Name	Function
① [On] button	Turns the projector on.

Name	Function
21 [Esc] button	Stops the current function. Moves back to the previous menu level while displaying the projector's menu.
22 [Image Enh] button	Displays the Image Enhancement screen.
23 [Aspect] button	Displays the Aspect screen.
24 [USB] button	Switches the image source to the USB-A port.
25 [Blank] button	Turns the video off temporarily to output sound only. To turn the image back on, press this button again.
26 Illumination button	When you press this button, the remote control buttons light up for approximately 10 seconds. This is useful when operating the remote control in the dark.
27 Remote control light emitting area	Outputs remote control signals.

► Related Links

- "Turning On the Projector" [p.38](#)
- "Projecting in Content Playback Mode" [p.87](#)
- "Adjusting the Menu Settings" [p.117](#)
- "Adjusting Image Quality (Color Mode)" [p.68](#)
- "Image Aspect Ratio" [p.66](#)
- "Resizing the Image with Digital Zoom" [p.62](#)
- "Shutting Off the Image Temporarily" [p.93](#)
- "Home Screen" [p.39](#)
- "Remote Control Operation" [p.36](#)

Setting Up the Projector

Follow the instructions in these sections to set up your projector.

► Related Links

- "Projector Placement" [p.19](#)
- "Installing the Safety Wire" [p.23](#)
- "Projector Connections" [p.28](#)
- "Wired Network Connection" [p.32](#)
- "Attaching and Removing the Side Cover" [p.34](#)
- "Installing Batteries in the Remote Control" [p.35](#)
- "Remote Control Operation" [p.36](#)

You can install the projector on a wall or ceiling, or place it on a table to project images.

To install the projector on a wall or mount the projector from a ceiling, you can use an optional mount or a commercially available mount compatible with the VESA Mounting Interface Standard (100 × 200 mm).

The projector can be installed at various angles. There is no vertical or horizontal limit to how the projector can be installed.

Note the following points when selecting a projector location:

- Place the projector on a sturdy, level surface or install it using a compatible mount.
- Leave plenty of space around and under the projector for ventilation, and do not place it on top of or next to anything that could block the vents.
- Place the projector so it squarely faces the screen, not at an angle.

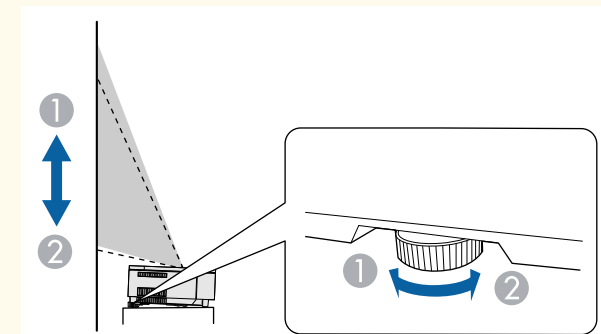
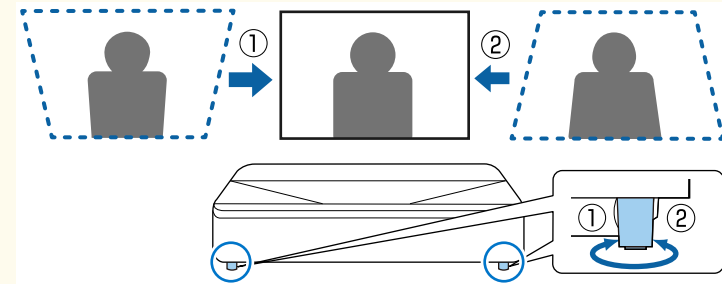


If you cannot install the projector squarely facing the screen, correct any resulting keystone distortion using the projector controls. For the best quality images, we recommend adjusting the installation position of the projector to achieve the correct image size and shape.

- When you install the projector to a fixed location, turn on the **Fixed Installation** setting in the projector's **Installation** menu.



You can adjust distortion and the height of the projected image using the front adjustable feet and rear adjustable foot.



Warning

- A special method of installation is required when suspending the projector from a wall or ceiling. If you do not install the projector correctly, it could fall and cause damage or injury.
- Do not use adhesives on the setting plate fixing points or other mount fixing points to prevent the screws from loosening, or use lubricants, oils, or similar substances on the projector; the projector case may crack causing it to fall from its mount. This could cause serious injury to anyone under the mount and could damage the projector.
- Failure to install the ceiling mount and projector may cause the projector to fall. After installing the specific Epson mount that supports your projector, make sure you secure the mount to all of the projector's ceiling mount fixing points. Also, secure the projector and the mounts using the safety wire supplied with the projector or an optional wire.
- Do not install the projector in a location subject to high levels of dust or humidity, or in a location subject to smoke or steam. Otherwise, it could cause a fire or electric shock to occur. The projector's case could also deteriorate and be damaged causing the projector to fall from the mount.

Examples of environments that could cause the projector to fall due to case deterioration

- Locations subject to excessive smoke or airborne oil particles, such as factories or kitchens
- Locations containing volatile solvents or chemicals, such as factories or laboratories
- Locations where the projector could be subjected to detergents or chemicals, such as factories or kitchens
- Locations in which aroma oils are often used, such as relaxation rooms
- Near devices that produce excessive smoke, airborne oil particles, or foam at events
- Locations near humidifiers

Warning

- Do not cover the projector's air intake or air exhaust vents. If the vents are covered, the internal temperature could rise and cause a fire.
- Do not use or store the projector in locations where it will be subject to dust or dirt. Otherwise, the quality of the projected image may decline, or the air filter may become clogged, resulting in a malfunction or fire.
- Do not install the projector on an unstable surface or in a location beyond the weight specifications of the projector. Otherwise, it could fall or topple causing an accident and injury.
- When installing the projector in a high position, take measures to prevent falling by using wires to ensure safety in an emergency, such as an earthquake, and to prevent accidents. If it is not installed correctly, it could fall causing an accident and injury.
- Do not install in locations where salt damage could occur, or in locations subject to corrosive gas such as sulphuric gas from hot springs. Otherwise, corrosion could cause the projector to fall. It could also cause the projector to malfunction.

Attention

- If you are using the projector at altitudes above 1,500 m, set the **High Altitude Mode** setting to **On** in the projector's **Installation** menu to ensure the projector's internal temperature is regulated properly.
- Try not to setup the projector in locations subject to high humidity and dust, or in locations subject to smoke from fires or tobacco smoke.

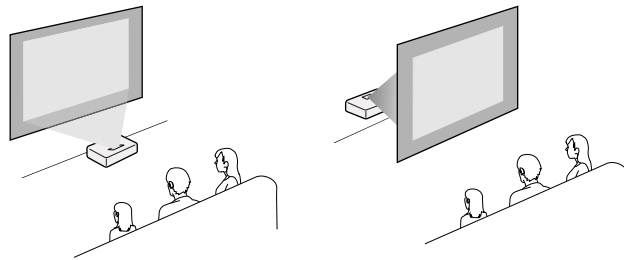
» Related Links

- "Projector Setup and Installation Options" [p.20](#)
- "Precautions on Installation" [p.21](#)

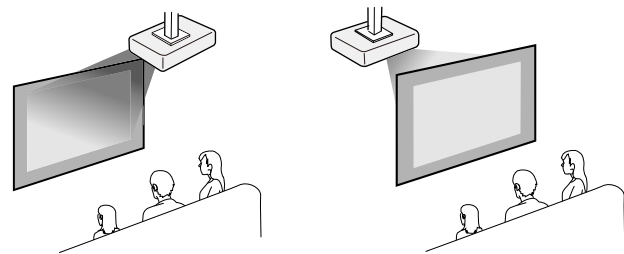
Projector Setup and Installation Options

You can set up or install your projector in the following ways:

Front/Rear



Front Upside Down/Rear Upside Down



Select the correct **Projection** option in the projector's **Installation** menu according to the installation method being used. If necessary, change the **Inv Direction Button** setting in the projector's **Operation** menu.



The default **Projection** setting is **Front**.

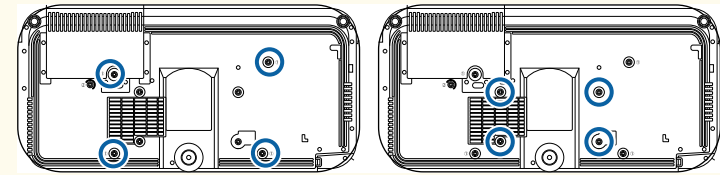
► Related Links

- "Changing the Projection Mode" [p.46](#)

Precautions on Installation

Attention

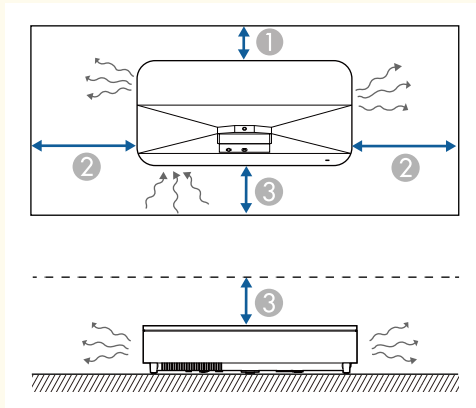
- If the projector is installed at an angle, it should be installed by qualified technicians using mounting hardware designed for use with this projector.
- Install the projector appropriately to prevent it from falling down.
- Use M4 screws (up to a depth of 9 mm) to secure the projector's fixing points, or VESA mount fixing points, to the mounting hardware at four points.



Installation space

Attention

Be sure to leave the following amount of space around the projector so as not to block the air exhaust and intake vents.

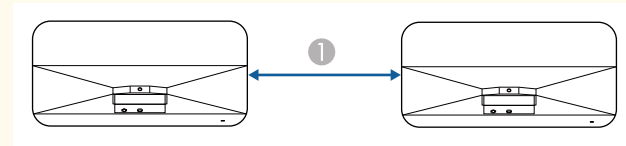


- ① 2.3 cm
- ② 20 cm
- ③ 10 cm

Installation space (When installing multiple projectors side by side)

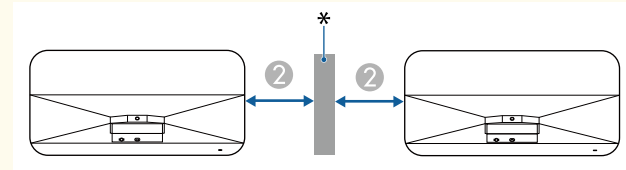
Attention

- If you are installing multiple projectors next to each other, make sure hot air from the exhaust vent does not go into the air intake vent of another projector.



- ① 110 cm

- If you use a partition, you can narrow the space between the projectors.



- ② 20 cm
- * Partition

You can install the safety wire to prevent the projector from falling from the ceiling.

Warning

Be sure to use the safety wire provided with the Epson ceiling mount. The safety wire is available as an optional Safety Wire Set ELPWR01.

▶ Related Links

- "When Using the Ceiling Mount ELPMB22" [p.23](#)
- "When Using the Ceiling Mount ELPMB30" [p.24](#)
- "When Using the Setting Plate ELPMB75" [p.25](#)

When Using the Ceiling Mount ELPMB22

You can attach a safety wire to your projector for increased safety as shown.

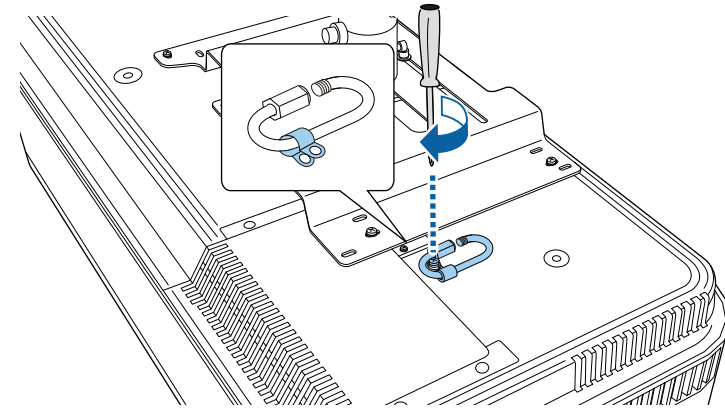
Before you start, you need to remove the front adjustable feet and the rear adjustable foot from the projector. Also, make sure you have securely attached the ELPMB22 ceiling mount to the projector and have the following items that are included in the safety wire set:

- Safety wire × 1
- Carabiner × 2 (Only one carabiner is used for the ELPMB22.)
- Wire clamp × 1
- Attaching screw (M4 × 10 mm) × 1

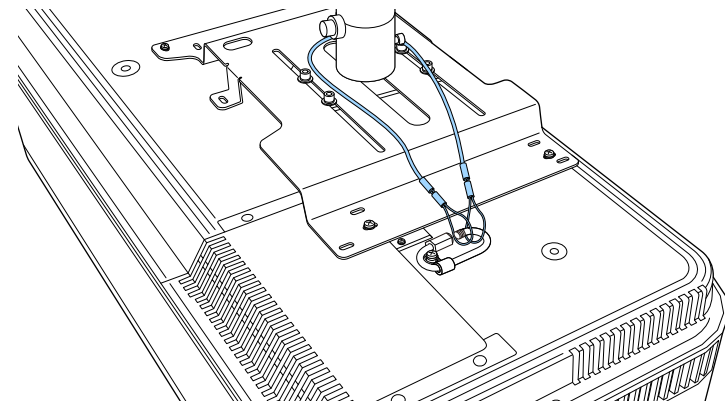


For details on installing the ELPMB22, see the *Ceiling Mount ELPMB22/ELPMB23 Instruction Manual*.

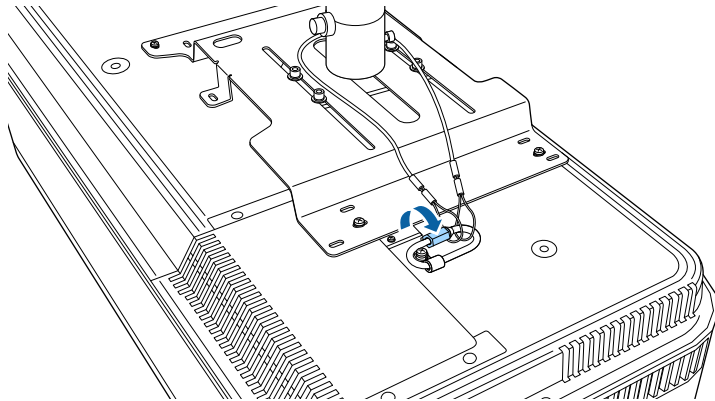
- 1** Attach the wire clamp to the carabiner, and then use the screw to fix the wire clamp to the wire clamp fixing point (②) on the projector.



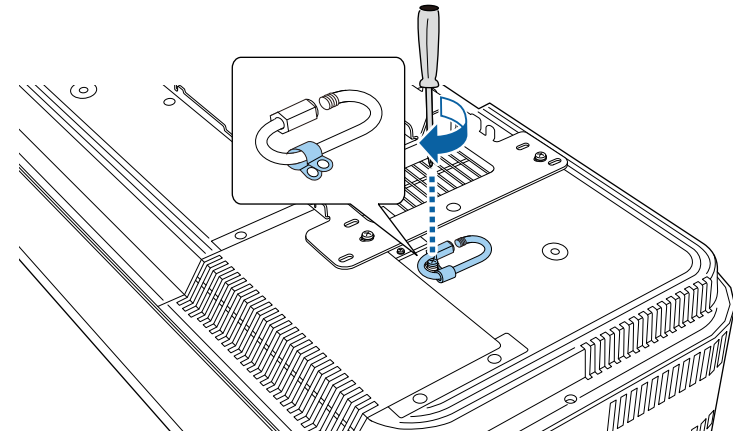
- 2** Loop the safety wire around the support shaft of the ceiling mount, and attach both ends to the carabiner on the projector.



- 3** Tighten the carabiner lock.



- 1** Attach the wire clamp to the carabiner, and then use the screw to fix the wire clamp to the screw into the wire clamp fixing point (2) on the projector.



When Using the Ceiling Mount ELPMB30

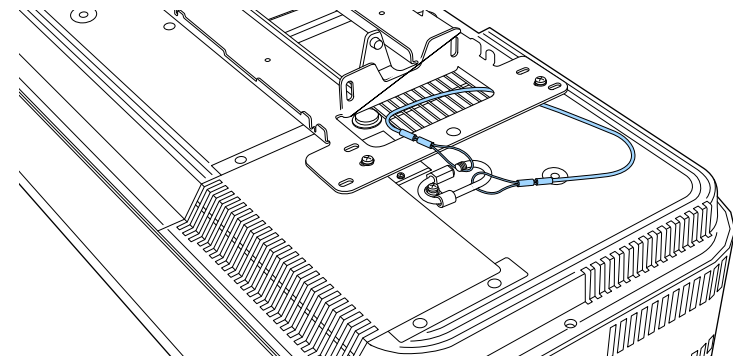
You can attach a safety wire to your projector for increased safety as shown. Before you start, you need to remove the front adjustable feet and the rear adjustable foot from the projector. Also, make sure you have securely attached the ELPMB30 ceiling mount to the projector and have the following items that are included in the safety wire set:

- Safety wire × 1
- Carabiner × 2 (Only one carabiner is used for the ELPMB30.)
- Wire clamp × 1
- Attaching screw (M4 × 10 mm) × 1

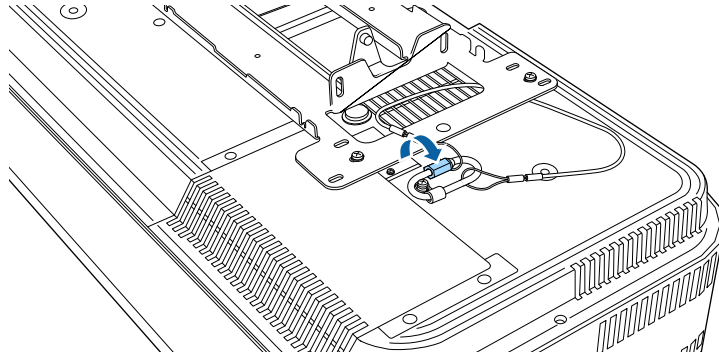


For details on installing the ELPMB30, see the *ELPMB30 User's Guide*.

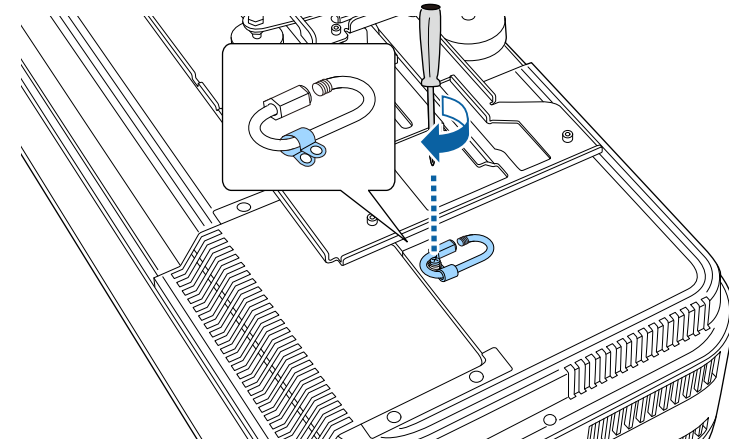
- 2** Loop the safety wire through the hole in the ceiling mount, and then attach both ends to the carabiner.



- 3** Tighten the carabiner lock.



- 1** Attach the wire clamp to the carabiner, and then use the screw to fix the wire clamp to the screw into the wire clamp fixing point (2) on the projector.



When Using the Setting Plate ELPMB75

You can attach a safety wire to your projector for increased safety as shown.

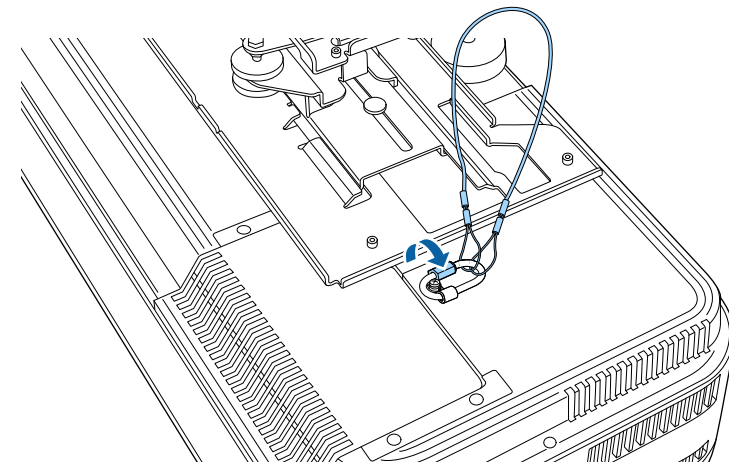
Before you start, you need to remove the front adjustable feet and the rear adjustable foot from the projector. Also, make sure you have securely attached the ELPMB75 setting plate to the projector and have the following items that are included in the safety wire set:

- Safety wire × 1
- Carabiner × 2
- Wire clamp × 1
- Attaching screw (M4 × 10 mm) × 1

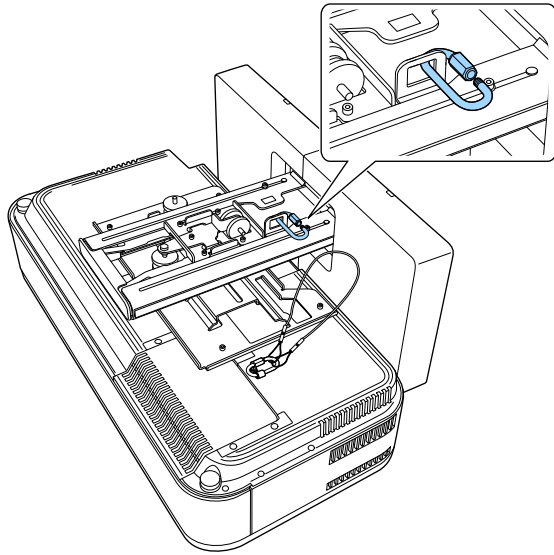


For details on installing the ELPMB75, see the *ELPMB75 User's Guide*.

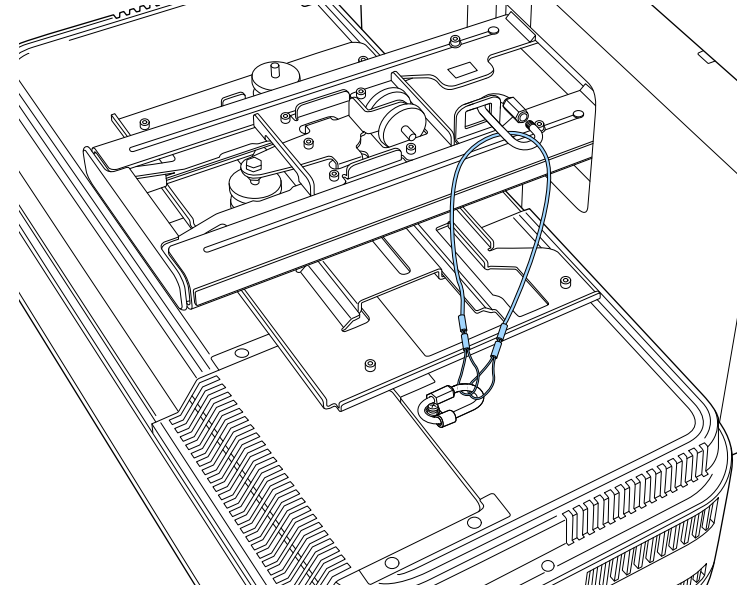
- 2** Loop both ends of the safety wire through the carabiner, and then tighten the carabiner lock.



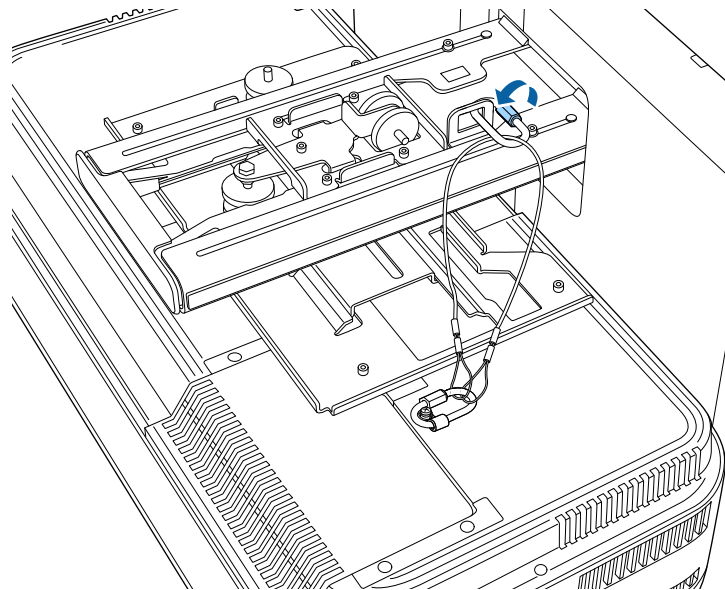
3 Pass the other carabiner through the hole in the arm of the setting plate.



4 Loop the safety wire through the carabiner attaching it to the setting plate.



5 Tighten the carabiner lock.



See these sections to connect the projector to a variety of projection sources.

Attention

- Check the shape and orientation of the connectors on any cable you plan to connect. Do not force a connector into a port if it does not fit. The device or your projector could be damaged or could malfunction.
- Depending on the connected device and the shape of the cable, you may not be able to attach the side cover to the projector. In that case, do not force the cover into place. The device or your projector could be damaged or could malfunction.



See the *Quick Start Guide* for a list of cables supplied with your projector. Purchase commercially available cables when necessary.

▶ Related Links

- "Connecting to an HDMI Video Source" [p.28](#)
- "Connecting to a Computer for HDMI Video" [p.28](#)
- "Connecting to External USB Devices" [p.29](#)
- "Connecting to a Streaming Media Player" [p.30](#)
- "Connecting to an eARC/ARC Compatible AV System or External Speakers" [p.31](#)
- "Getting the Latest Version of the Documents" [p.8](#)

Connecting to an HDMI Video Source

If your video source has an HDMI port, you can connect it to the projector using an HDMI cable.

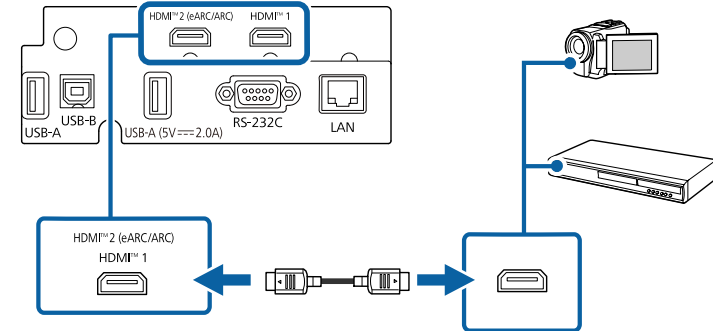
Attention

Do not turn on the video source before connecting it to the projector. Doing so could damage the projector.



- If the port on the device you connect has an unusual shape, use the cable supplied with the device or an optional cable to connect to the projector.
- The cable differs depending on the output signal from the connected video devices.
- Some video devices are capable of outputting different types of signals. See your video device manual to confirm what type of signals can be output.

- 1** Connect the HDMI cable to your video source's HDMI output port.
- 2** Connect the other end to one of the projector's HDMI ports.

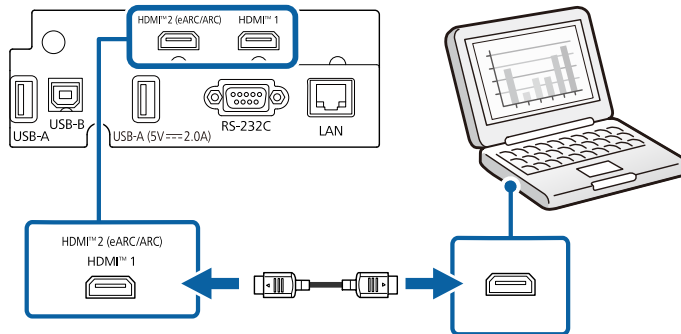


Connecting to a Computer for HDMI Video

If your computer has an HDMI port, you can connect it to the projector using an HDMI cable.

- 1** Connect the HDMI cable to your computer's HDMI output port.

- 2** Connect the other end to one of the projector's HDMI ports.



Connecting to External USB Devices

Follow the instructions in these sections to connect external USB devices to the projector.

▶ Related Links

- "USB Device Projection" [p.29](#)
- "Connecting to a USB Device" [p.29](#)
- "Disconnecting a USB Device" [p.30](#)

USB Device Projection

You can project images and other content without using a computer or video device by connecting any of these devices to your projector:

- USB flash drive
- Digital camera or smartphone
- USB hard drive



- Digital cameras or smartphones must be USB-mounted devices, not TWAIN-compliant devices, and must be USB Mass Storage Class-compliant.
- USB hard drives must meet these requirements:
 - USB Mass Storage Class-compliant (not all USB Mass Storage Class devices are supported)
 - Formatted in FAT16/32
 - Self-powered by their own AC power supplies (bus-powered hard drives are not recommended)
 - Avoid using hard drives with multiple partitions

You can also project playlists that contain images and movies saved on a USB flash drive in Content Playback mode.

▶ Related Links

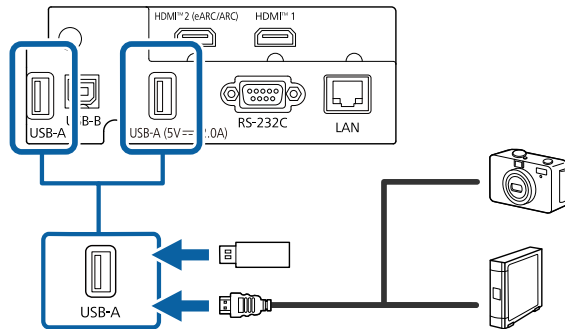
- "Projecting a PC Free Presentation" [p.82](#)
- "Projecting in Content Playback Mode" [p.87](#)

Connecting to a USB Device

You can connect your USB device to the projector's USB-A port and use it to project images and other content.

- 1** If your USB device came with a power adapter, plug the device into an electrical outlet.

- 2 Connect the USB cable or USB flash drive to the projector's USB-A port as shown.



Attention

- Use the USB cable supplied with or specified for use with the device.
- Do not connect a USB hub or a USB cable longer than 3 meters, or the device may not operate correctly.

- 3 Connect the other end to your device, if necessary.

Disconnecting a USB Device

When you have finished projecting with a connected USB device, disconnect the device from the projector.

- 1 Turn off and unplug the device, if necessary.
- 2 Disconnect the USB device from the projector.

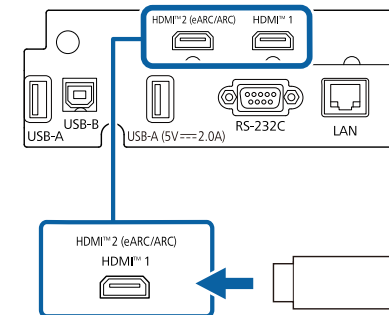
Connecting to a Streaming Media Player

You can connect your streaming media player to the projector's HDMI port. By connecting the power supply USB cable, you can power the streaming media player from the projector.



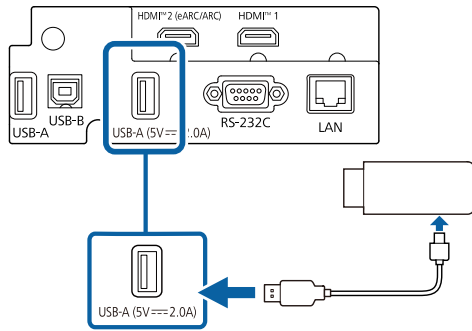
The connection method and operating environment for the streaming media player vary depending on the model you are using. For details, see the documentation supplied with your streaming media player; otherwise, it may not operate properly.

- 1 Connect your streaming media player to the projector's HDMI port.

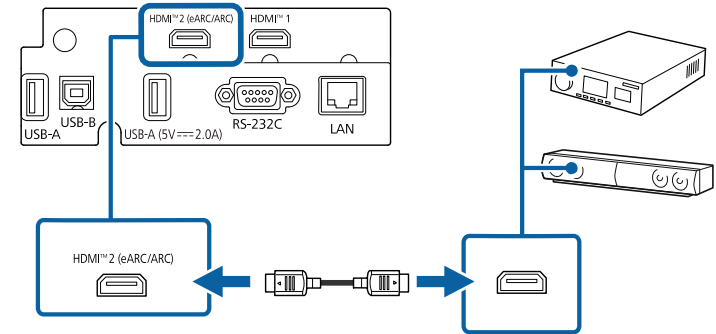


- 2 Connect the power supply USB cable to the projector's USB-A port.

3 Connect the other end to the streaming media player.



2 Connect the other end to the projector's HDMI2 (eARC/ARC) port.



Connecting to an eARC/ARC Compatible AV System or External Speakers

If your AV system or speakers, such as a sound bar, has an HDMI port, you can connect them to the projector using an HDMI cable (with Ethernet) to output audio to these devices.



- When the AV System is connected to the projector, set **HDMI Link** to **On**.
 🖱️ **Signal I/O > HDMI Link > HDMI Link**
- See the *Supplemental A/V Support Specification* for eARC/ARC audio supported formats.

1 Connect the HDMI cable to your AV system's or speakers' HDMI output port (eARC/ARC compatible).

3 Make any necessary settings on the connected AV system. See your device's documentation for more information.

▶▶ Related Links

- "Getting the Latest Version of the Documents" [p.8](#)

You can monitor and control your projector, over a network.

To perform these operations, connect the projector to your network, and then set up your projector and computer.

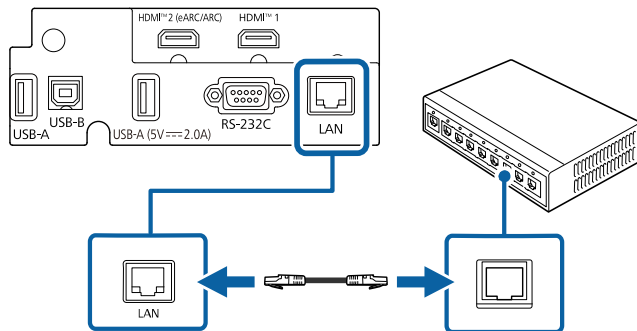
► Related Links

- "Connecting to a Wired Network" p.32
- "Selecting Wired Network Settings" p.32

Connecting to a Wired Network

To connect the projector to a wired local area network (LAN), use a network cable. To ensure proper data transmission, use a Category 5 shielded cable or better.

- 1 Connect one end of the network cable to your network hub, switch, or router.
- 2 Connect the other end of the cable to the projector's LAN port.



Selecting Wired Network Settings

Before you can use the projector on your network, you need to select network settings on the projector.



Make sure you already connected the projector to your wired network using the LAN port.

- 1 Press the [Menu] button, select the **Network** menu, and press [Enter].

Frequently Used Items	Network
Image	Wired LAN Info.
Signal I/O	Network Settings
Installation	Reset Network Settings
Display	Memory
Operation	Save Memory
Management	Load Memory
Network	Rename Memory
Memory	Erase Memory
ECO	Reset Memory Settings
Initial/All Settings	ECO
	Light Source Mode Normal
	Sleep Mode On
	Sleep Mode Timer 10 min.
	Standby Mode Communication On
	Initial/All Settings
	Reset All
	Firmware Update

- 2 Select **Network Settings** and press [Enter].
- 3 To identify the projector over the network, select **Projector Name** and enter a name up to 16 alphanumeric characters long.

- 4** Select the **Wired LAN** menu and press [Enter].

[Wired LAN]	Return
IP Settings	
DNS Server 1	0.0.0.0
DNS Server 2	0.0.0.0
IPv6	Off ∨
IP Address Display	On

- 5** Assign the IP settings for your network as necessary.
- If your network assigns addresses automatically, select **IP Settings** to set the **DHCP** setting to **On**.
 - If you must set addresses manually, select **IP Settings** to set the **DHCP** setting to **Off**, and then enter the projector's **IP Address**, **Subnet Mask**, and **Gateway Address** as necessary.
- 6** To prevent the IP address from being displayed on the network information screen, set the **IP Address Display** setting to **Off**.
- 7** When you finish selecting settings, go back to the **Network Settings** screen, select **Set**, and follow the on-screen instructions to save your settings and exit the menus.



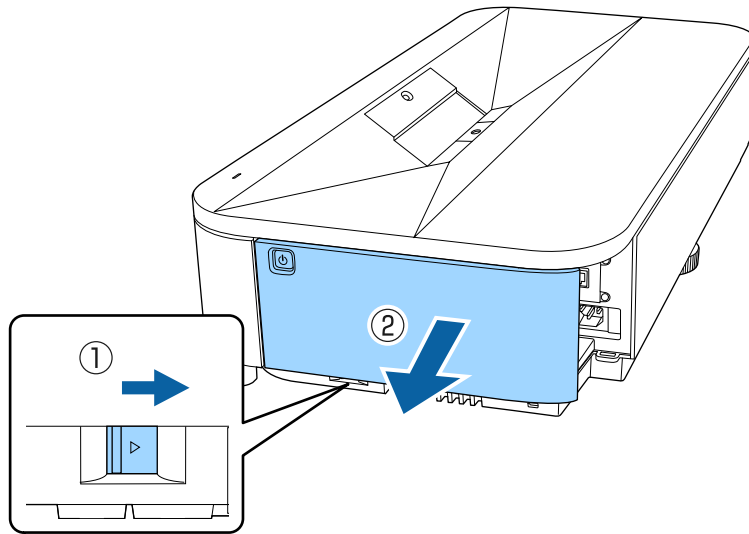
If the Web Control Password has not been set, a screen prompting you to set a password is displayed when you save the network settings. Follow the on-screen instructions to set the password.

▶▶ Related Links

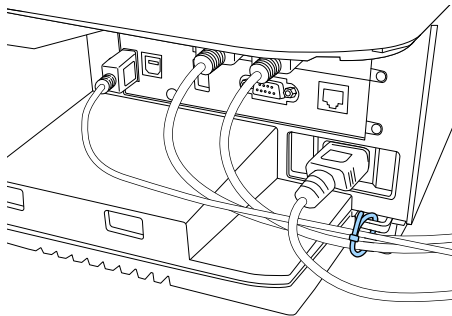
- "Network Menu - Network Settings Menu" [p.131](#)

You can attach the side cover to hide the attached cables from view.

- 1** Remove the side cover from the projector.



- 2** Pass a commercially available cable tie through the cable holder and tie the cables together.



Caution

Do not bundle the power cord to the other cables. Otherwise, a fire may occur.

- 3** Replace the side cover.

The remote control uses the two AA batteries that came with the projector.

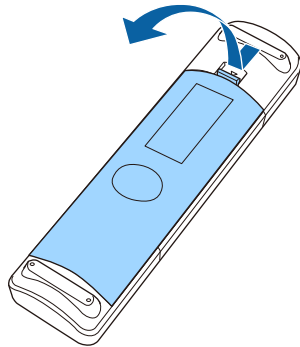
Attention

Make sure you read the *Safety Instructions* before handling the batteries.



Replace the batteries as soon as they run out. The remote control uses two AA manganese or alkaline batteries.

- 1** Remove the battery cover as shown.

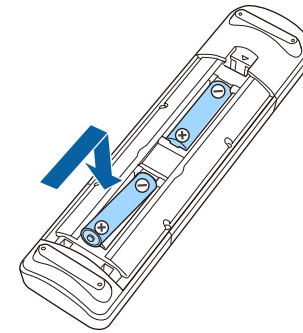


- 2** Remove the old batteries, if necessary.



Dispose of used batteries according to local regulations.

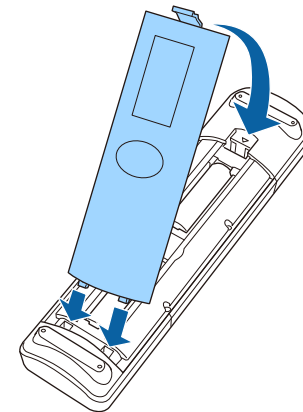
- 3** Insert the batteries with the + and – ends facing as shown.



Warning

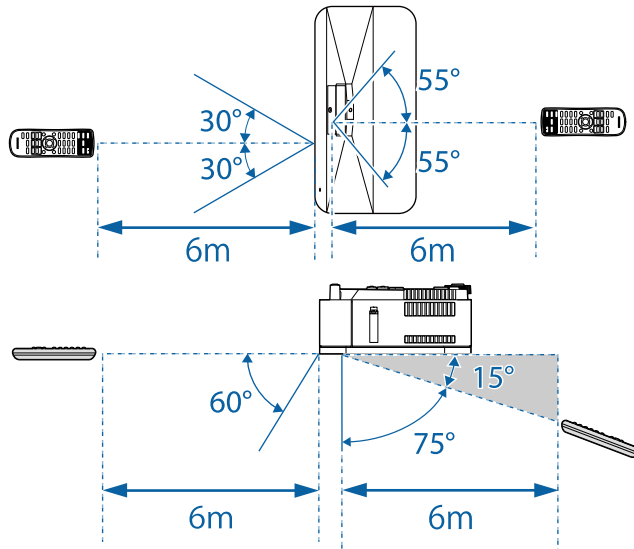
Check the positions of the (+) and (-) marks inside the battery holder to ensure the batteries are inserted the correct way. If the batteries are not used correctly, they could explode or leak causing a fire, injury, or damage to the product.

- 4** Replace the battery cover and press it down until it clicks into place.



The remote control lets you control the projector from almost anywhere in the room.

Make sure that you aim the remote control at the projector's receivers within the distance and angles listed here.



Avoid using the remote control in conditions with bright fluorescent lights or in direct sunlight, or the projector may not respond to commands. If you are not going to use the remote control for a long time, remove the batteries.

Using Basic Projector Features

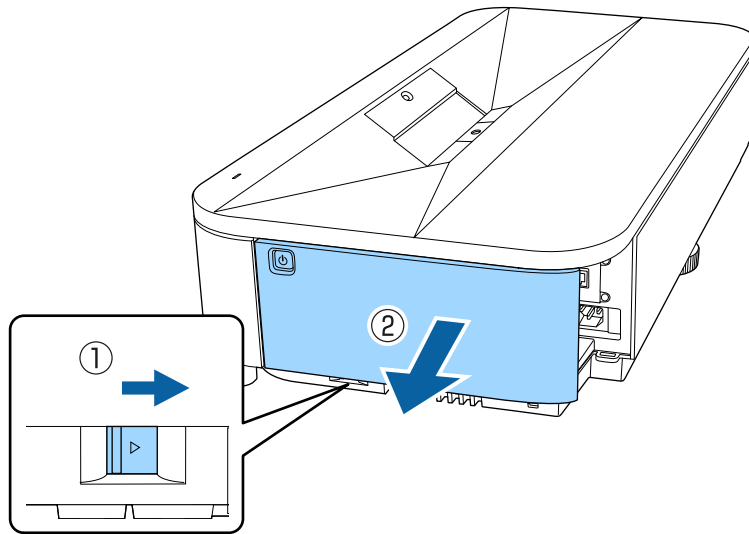
Follow the instructions in these sections to use your projector's basic features.

► Related Links

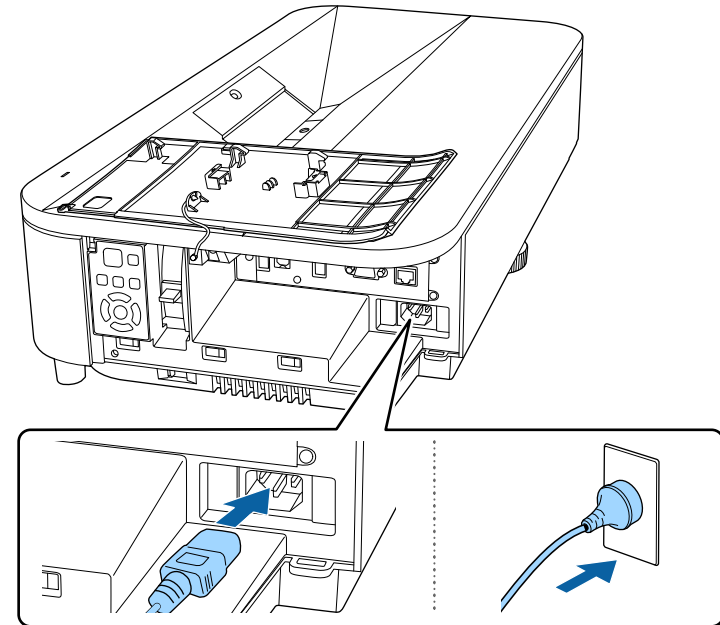
- ["Turning On the Projector" p.38](#)
- ["Turning Off the Projector" p.41](#)
- ["Setting the Date and Time" p.42](#)
- ["Selecting the Language for the Projector Menus" p.45](#)
- ["Changing the Projection Mode" p.46](#)
- ["Setting the Screen Type" p.47](#)
- ["Adjusting the Image Height" p.50](#)
- ["Displaying a Test Pattern" p.51](#)
- ["Focusing the Image Using the Focus Lever" p.52](#)
- ["Image Shape" p.53](#)
- ["Resizing the Image with Digital Zoom" p.62](#)
- ["Adjusting the Image Position Using Image Shift" p.63](#)
- ["Selecting an Image Source" p.65](#)
- ["Image Aspect Ratio" p.66](#)
- ["Adjusting Image Quality \(Color Mode\)" p.68](#)
- ["Setting Frame Interpolation" p.70](#)
- ["Adjusting the Image Color" p.72](#)
- ["Adjusting the Image Resolution" p.75](#)
- ["Adjusting the Brightness" p.77](#)

Turn on the computer or video equipment you want to use after you turn on the projector.

- 1 Remove the side cover.



- 2 Connect the power cord to the projector's power inlet and plug it into an electrical outlet.



Warning

Be sure to connect to ground before plugging in. When you remove the ground connection, unplug the power cord and disconnect from ground.

The projector's power indicator turns blue. This indicates that the projector is receiving power, but is not yet turned on (it is in standby mode).

- 3 Press the power button on the control panel or remote control to turn on the projector.

The status indicator flashes blue as the projector warms up. Once the projector is warmed up, the status indicator stops flashing and turns blue.



- When you turn on the projector for the first time, the initial setup wizard is displayed. Follow the instructions on the initial setup wizard screen.
- If no **Web Control Password** has been set in the **Network Settings** menu, the **Web Control Password** is displayed. Set the password on this screen. Web Control Password is necessary to control the networked projectors using a Web browser on the computer.
- You can also select the **Quick Startup** setting in the projector's **Operation** menu.



- When the **Direct Power On** setting is set to **On** in the projector's **Operation** menu, the projector turns on as soon as you plug it in. Note that the projector also turns on automatically in cases such as recovery from a power outage.
- If you select a specific port as the **Auto Power On** setting in the projector's **Operation** menu, the projector turns on as soon as it detects a signal or cable connection from that port.

► Related Links

- "Home Screen" [p.39](#)
- "Projector Feature Settings - Operation Menu" [p.127](#)

Try the following if you do not see a projected image.

- Turn on the connected computer or video device.
- Change the screen output from the computer when using a laptop computer.
- Insert a DVD or other video media, and press play (if necessary).
- Press the [Source] button on the control panel to detect the source.
- Press the button for the desired video source on the remote control.
- If the Home screen is displayed, select the source you want to project.

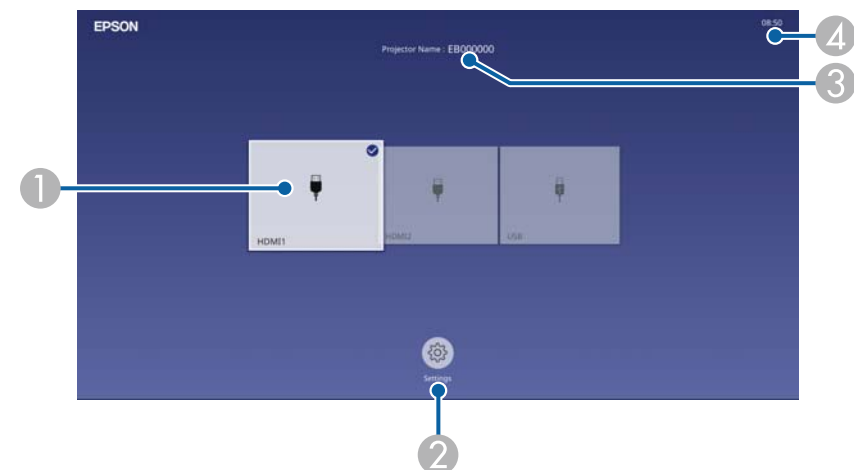
Warning

- Never look into the projector lens when the light source is on. This can damage your eyes and is especially dangerous for children.
- When turning on the projector at a distance using the remote control, make sure there is no one looking into the lens.
- If the light from the projector is blocked, the area on which the light shines becomes hot which could cause it to melt, burn, or start a fire. Also, the lens may get hot due to the reflected light which could cause the projector to malfunction. To stop projection, turn off the projector.

Home Screen

The Home screen feature allows you to easily select an image source and access useful functions. You can display the Home screen by pressing the [Home] button on the control panel. The Home screen is also displayed when you turn on the projector and no signal is being input.

Press the arrow buttons on the control panel or remote control to select a menu item, and then press [Enter].



- ① Selects the source you want to project.
A check mark appears on the upper right of the current input source.
You can check a preview of the current input image for most sources as a thumbnail (other than the USB input source in Content Playback mode).
- ② Lets you select the following common projector settings (settings may vary depending on other selected settings):
 - **Color Mode**
 - **Brightness Level**
 - **Geometry Correction** (**Quick Corner** is available.)
 - **Aspect**
 - **Install Again**



The **Geometry Correction** setting is only displayed when **Fixed Installation** is set to **Off** and **Geometry Correction** is set to **Quick Corner** in the projector's **Installation** menu.

- ③ Displays the projector name and the projector keyword.
- ④ Displays the current time.



The Home screen disappears after 10 minutes of inactivity.

Turn off the projector after use.



- Turn off this product when it is not in use to prolong the life of the projector. Light source life varies depending on the mode selected, environmental conditions, and usage. Brightness decreases over time.
- Since the projector supports the direct shutdown feature, it can be turned off directly using the breaker.

- 1** Press the power button on the control panel or the [Standby] button on the remote control.

The projector displays a shutdown confirmation screen.

Power Off?

Yes: Press  button

No : Press any other button

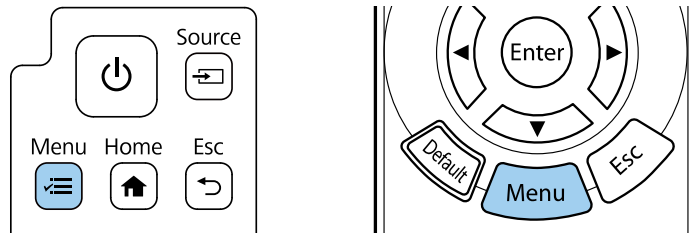
- 2** Press the power button or the [Standby] button again. (To leave it on, press any other button.)

The light source turns off, and the status indicator turns off.

- 3** To transport or store the projector, make sure the power indicator is blue (but not flashing) and the status indicator is off, then unplug the power cord.

You can set the date and time for the projector.

- 1** Turn on the projector.
- 2** Press the [Menu] button on the control panel or remote control.

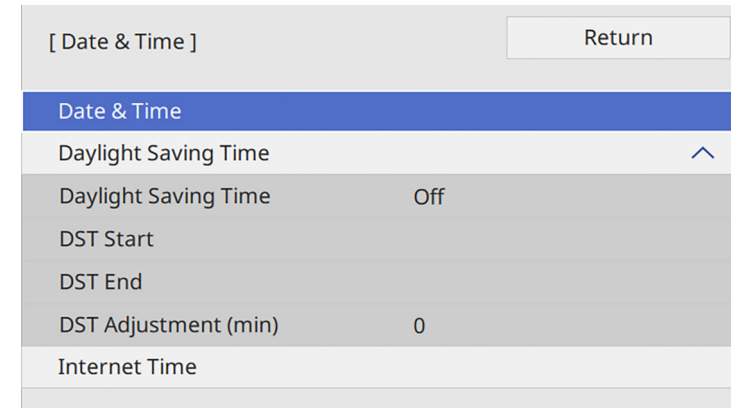


- 3** Select the **Management** setting and press [Enter].

Frequently Used Items	Management
Image	User Button Light Source Mode
Signal I/O	Child Lock Off
Installation	Control Panel Lock Off
Display	4K Enhancement On
Operation	Color Uniformity
Management	Refresh Mode
Network	Date & Time
Memory	Schedule Settings
ECO	Log Save Destination USB and Internal Memory
Initial/All Settings	Batch Setup Range
	Language English
	Information
	Display Status
	Display Logs
	Reset Management Settings
	Network
	Wired LAN Info.

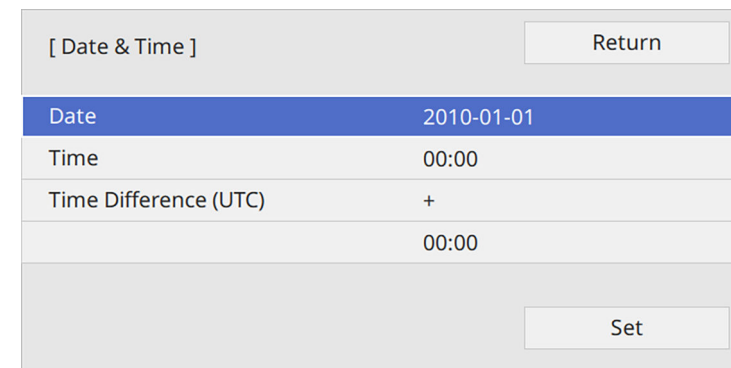
- 4** Select the **Date & Time** setting and press [Enter].

You see this screen:



- 5** Select the **Date & Time** setting and press [Enter].

You see this screen:



- 6** Select **Date**, press [Enter], and use the displayed keyboard to enter today's date.

- 7** Select **Time**, press [Enter], and use the displayed keyboard to enter the current local time.



To set the **Time Difference (UTC)** as explained in step 8, enter Coordinated Universal Time instead of the current local time.

- 8** Select **Time Difference (UTC)**, press [Enter], and set the time difference from Coordinated Universal Time.

- 9** When you are finished, select **Set** and press [Enter].

- 10** To activate daylight saving time, select the **Daylight Saving Time** setting and set it to **On**. Then select settings.

[Daylight Saving Time]	Return
Daylight Saving Time	On ^
DST Adjustment (min)	0
DST Start	
Month	1
Week	1
Day of the Week	Mon
Time	00:00
DST End	
Month	1
Week	1
Day of the Week	Mon
Time	00:00
Set	

- 11** When you are finished, select **Set** and press [Enter].

- 12** To update the time automatically through an Internet time server, select the **Internet Time** setting and set it to **On**. Then select settings.

[Use Internet Time]	Return
Use Internet Time	On ^
Internet Time Server	0.0.0.0
	Set

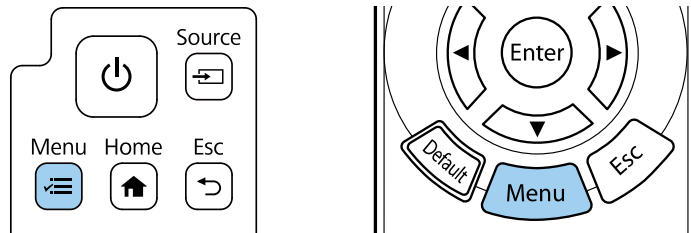
- 13** When you are finished, select **Set** and press [Enter].

- 14** Press [Menu] or [Esc] to exit the menus.

If you want to view the projector's menus and messages in another language, you can change the **Language** setting.

1 Turn on the projector.

2 Press the [Menu] button on the control panel or remote control.



3 Select the **Management** setting and press [Enter].

Frequently Used Items	Management	
Image	User Button	Light Source Mode
Signal I/O	Child Lock	Off
Installation	Control Panel Lock	Off
Display	4K Enhancement	On
Operation	Color Uniformity	
Management	Refresh Mode	
Network	Date & Time	
Memory	Schedule Settings	
ECO	Log Save Destination	USB and Internal Memory
Initial/All Settings	Batch Setup Range	
	Language	English
	Information	
	Display Status	
	Display Logs	
	Reset Management Settings	
	Network	
	Wired LAN Info.	

4 Select the **Language** setting and press [Enter].

5 Select the language you want to use and press [Enter].

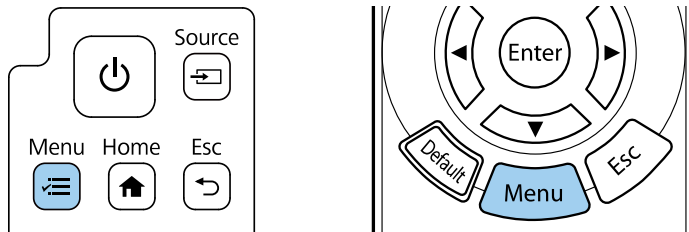
6 Press [Menu] or [Esc] to exit the menus.

Depending on how you positioned the projector, you may need to change the projection mode so your images project correctly.

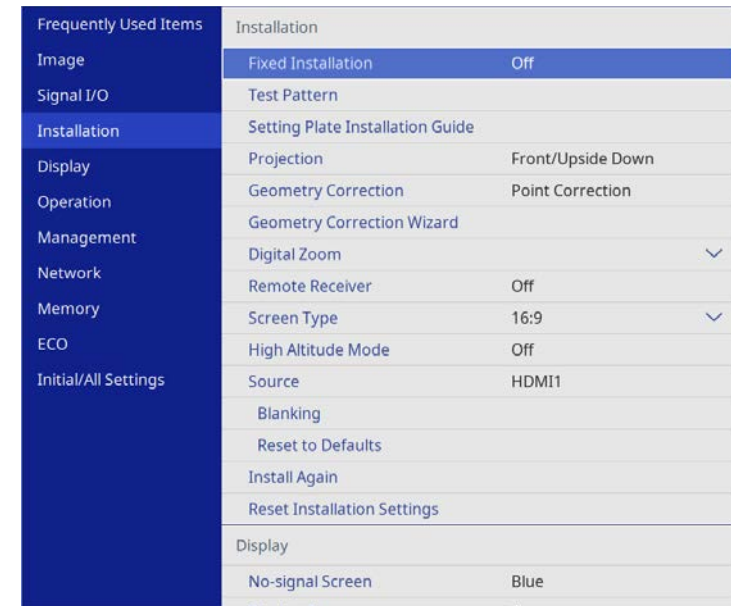
- **Front** lets you project from a table in front of the screen.
- **Front/Upside Down** flips the image over top-to-bottom to project upside-down from a wall mount or ceiling.
- **Rear** flips the image horizontally to project from behind a translucent screen.
- **Rear/Upside Down** flips the image over top-to-bottom and horizontally to project from a wall mount or ceiling and behind a translucent screen.

1 Turn on the projector and display an image.

2 Press the [Menu] button on the control panel or remote control.

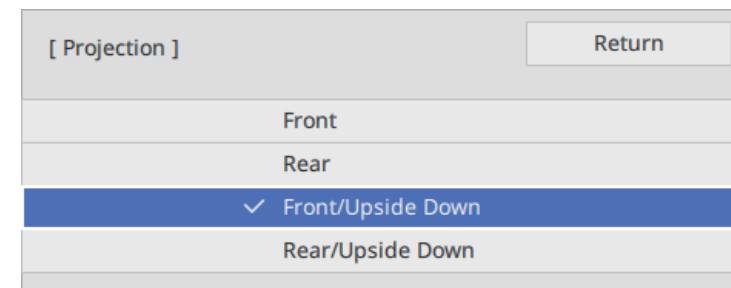


3 Select the **Installation** menu and press [Enter].



4 Select **Projection** and press [Enter].

5 Select a projection mode and press [Enter].



6 Press [Menu] or [Esc] to exit the menus.

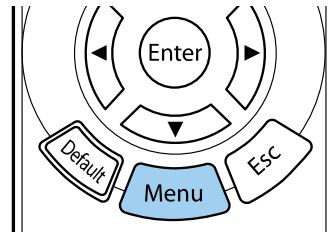
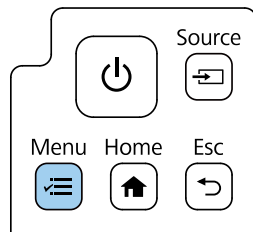
You can use the **Screen Type** setting to match the aspect ratio of the displayed image to the screen you are using.



- You cannot change the **Screen Type** setting when the **Content Playback** setting is set to **On** in the projector's **Operation** menu.
- If you change the **Screen Type** setting, the **Geometry Correction** settings are initialized.

1 Turn on the projector and display an image.

2 Press the [Menu] button on the control panel or remote control.



3 Select the **Installation** menu and press [Enter].

Frequently Used Items	Installation
Image	Fixed Installation Off
Signal I/O	Test Pattern
Installation	Setting Plate Installation Guide
Display	Projection Front/Upside Down
Operation	Geometry Correction Point Correction
Management	Geometry Correction Wizard
Network	Digital Zoom
Memory	Remote Receiver Off
ECO	Screen Type 16:9
Initial/All Settings	High Altitude Mode Off
	Source HDMI1
	Blanking
	Reset to Defaults
	Install Again
	Reset Installation Settings
	Display
	No-signal Screen Blue

4 Select **Screen Type** and press [Enter].

5 Select your screen's aspect ratio and press [Enter].

[Screen Type]	Return
4:3	
✓ 16:9	
16:10	

6 Press [Menu] to exit the menus.



You need to restart the projector. Follow the on-screen instructions.

7 Adjust the aspect ratio for the projected image, if necessary.



When the **Screen Type** setting changes, the **EDID** settings are automatically adjusted.

► **Related Links**

- "Adjusting the Image Position Using Screen Position" [p.48](#)

Adjusting the Image Position Using Screen Position

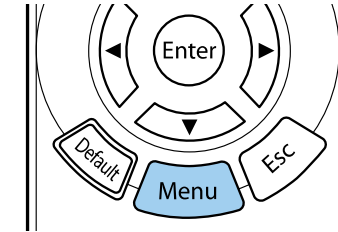
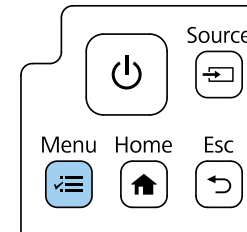
You can adjust the image position if there are margins between the edge of the image and the projected screen frame.



You cannot adjust the screen position if the **Screen Type** setting is set to **16:9**.

1 Turn on the projector and display an image.

2 Press the [Menu] button on the control panel or remote control.

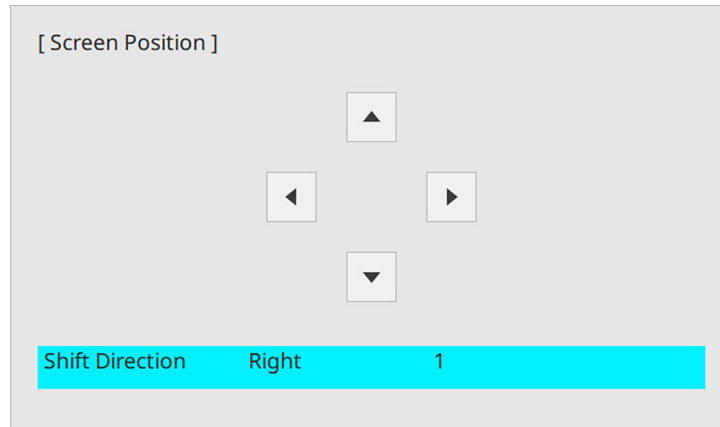


3 Select the **Installation** menu and press [Enter].

Frequently Used Items	Installation
Image	Fixed Installation Off
Signal I/O	Test Pattern
Installation	Setting Plate Installation Guide
Display	Projection Front/Upside Down
Operation	Geometry Correction Point Correction
Management	Geometry Correction Wizard
Network	Digital Zoom
Memory	Remote Receiver Off
ECO	Screen Type 16:9
Initial/All Settings	High Altitude Mode Off
	Source HDMI1
	Blanking
	Reset to Defaults
	Install Again
	Reset Installation Settings
	Display
	No-signal Screen Blue

4 Select **Screen Position**, and press [Enter].

- 5 Use the arrow buttons on the control panel or remote control to adjust the position of the image.

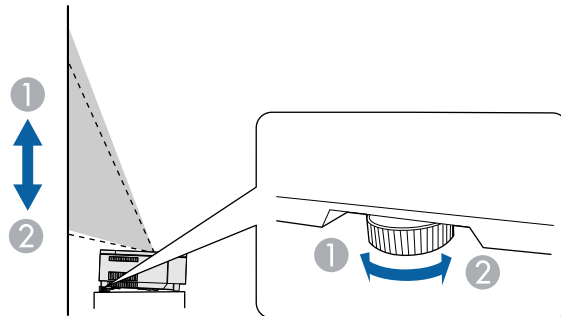


- 6 When you are finished, press [Menu].

If you are projecting from a table or other flat surface and the image is too high or low, you can adjust the image height using the projector's adjustable feet.

The larger the angle of tilt, the harder it becomes to focus. Locate the projector on a level surface so that it only needs to be tilted at a small angle.

- 1** Turn on the projector and display an image.
- 2** Rotate the rear feet to adjust the image height.



- 1** Extend the rear foot
- 2** Retract the rear foot

If the projected image is unevenly rectangular, you need to adjust the image shape.

► Related Links

- ["Image Shape" p.53](#)

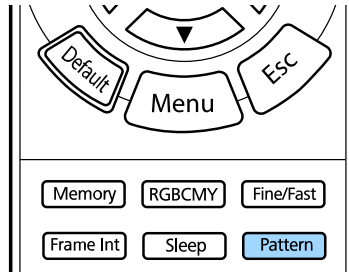
You can display a test pattern to adjust the projected image.



Some settings may not be available while displaying a test pattern. To adjust these settings, project an image from a connected device.

1 Turn on the projector.

2 Press the [Pattern] button on the remote control.



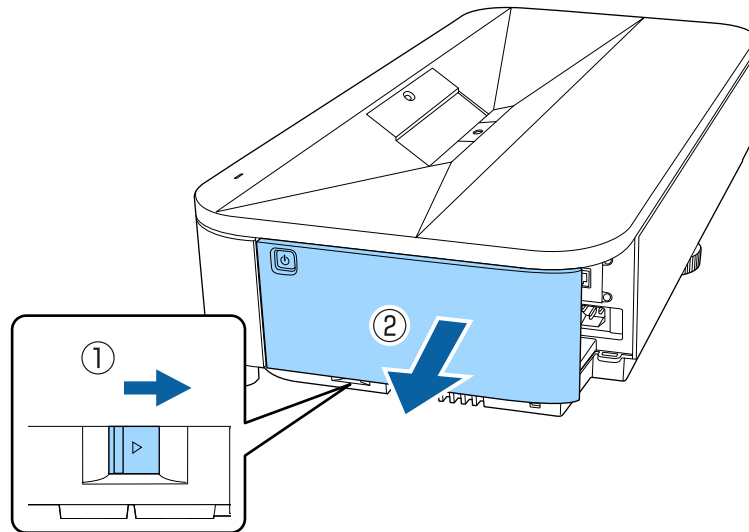
You can also display a test pattern from the projector's **Installation** menu.

3 Adjust the image as necessary.

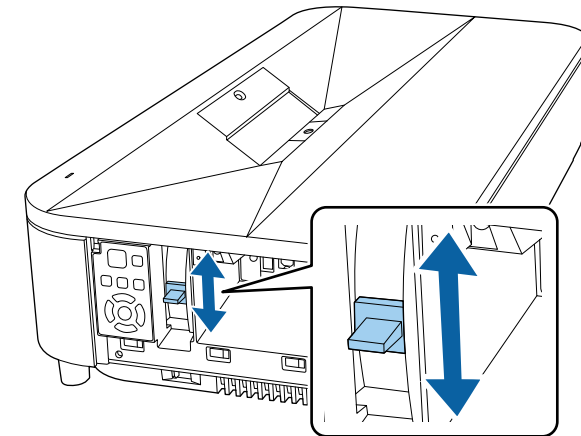
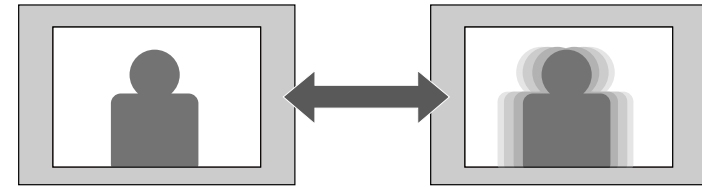
4 To cancel pattern display, press the [Pattern] button again.

You can correct the focus using the focus lever.

- 1** Turn on the projector and display an image.
- 2** Remove the side cover.



- 3** Move the focus lever to adjust the focus.



- 4** Replace the side cover.



Focus the following part on the screen. Display a test pattern to adjust the focus if necessary.

- Projecting from a table: center, and upper left and right
- Projecting from a ceiling: center, and bottom left and right

You can project an even, rectangular image by placing the projector directly in front of the center of the screen and keeping it level. If you place the projector at an angle to the screen, or tilt it up or down, or off to the side, you may need to correct the image shape.

After correction, your image is slightly smaller.

For the best quality images, we recommend adjusting the installation position of the projector to achieve the correct image size and shape.



If you adjust the screen position using the Image Shift feature, perform Image Shift before Geometry Correction.

▶▶ Related Links

- "Correcting Distortion in the Image Using the Wizard" [p.53](#)
- "Correcting the Image Shape with Quick Corner" [p.54](#)
- "Correcting Image Shape with Arc Correction" [p.57](#)
- "Correcting Image Shape with Point Correction" [p.59](#)

Correcting Distortion in the Image Using the Wizard

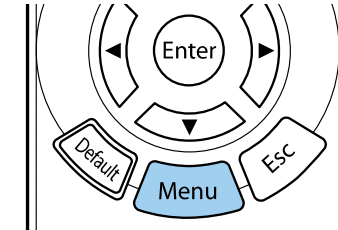
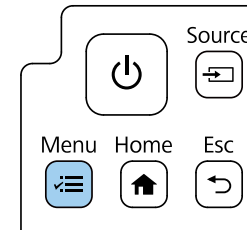
You can correct distortion in the projected image by following the on-screen instructions from the **Installation** menu.



To correct distortion more easily, you can use the Epson Setting Assistant application on a smart phone or tablet that has a camera function. Install the application by using the QR code displayed on the projected screen. The customer is responsible for any communication charges incurred when downloading the app.

1 Turn on the projector and display an image.

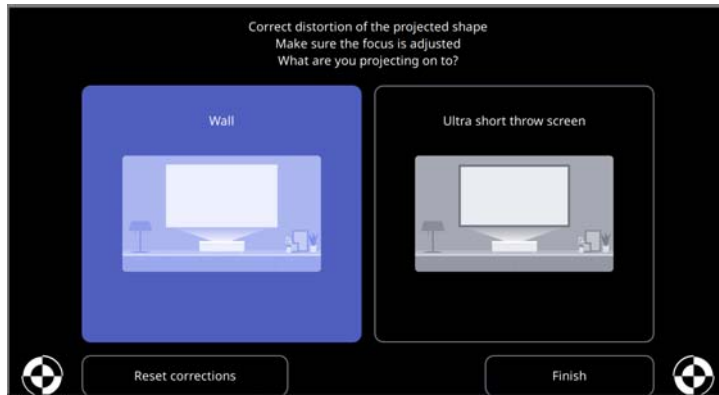
2 Press the [Menu] button on the control panel or remote control.



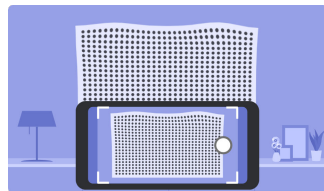
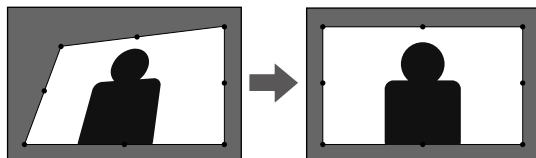
3 Select the **Installation** menu and press [Enter].

Frequently Used Items	Installation
Image	Fixed Installation Off
Signal I/O	Test Pattern
Installation	Setting Plate Installation Guide
Display	Projection Front/Upside Down
Operation	Geometry Correction Point Correction
Management	Geometry Correction Wizard
Network	Digital Zoom
Memory	Remote Receiver Off
ECO	Screen Type 16:9
Initial/All Settings	High Altitude Mode Off
	Source HDMI1
	Blanking
	Reset to Defaults
	Install Again
	Reset Installation Settings
	Display
	No-signal Screen Blue

- 4 Select the **Geometry Correction Wizard**, and press [Enter].



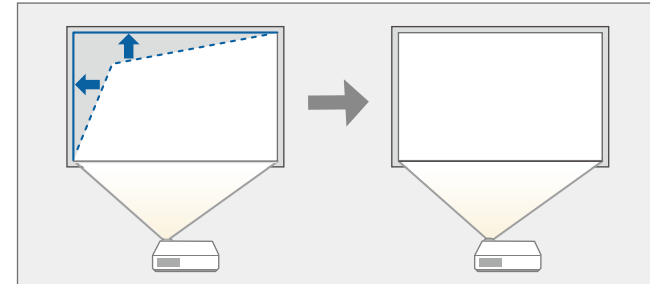
- 5 Follow the on-screen instructions to correct distortion in the image.



- 6 To close the menus, press [Esc].

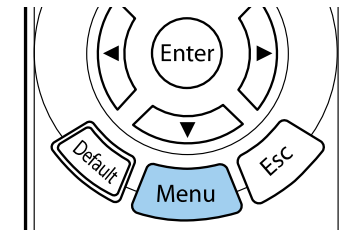
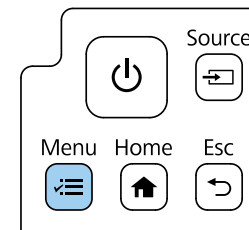
Correcting the Image Shape with Quick Corner

You can use the projector's **Quick Corner** setting to correct the shape and size of an image that is unevenly rectangular.

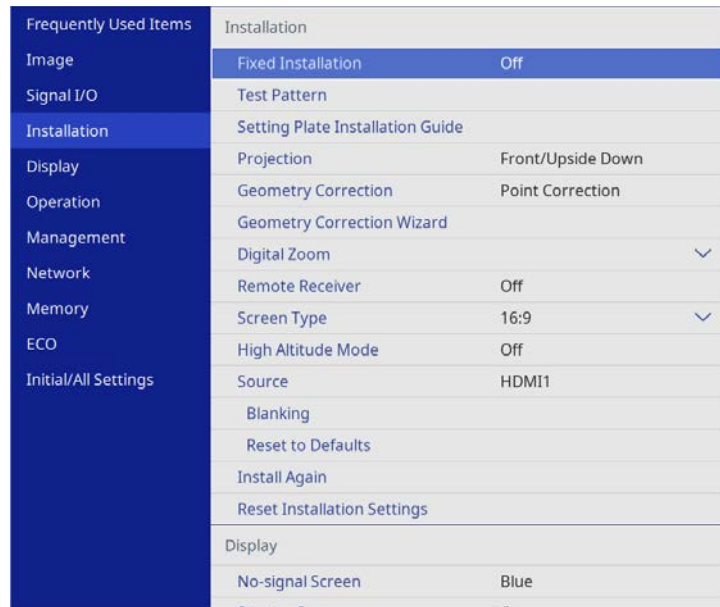


If you change the **Screen Type** and **Screen Position** settings, the adjustments are reset.

- 1 Turn on the projector and display an image.
- 2 Press the [Menu] button on the control panel or remote control.

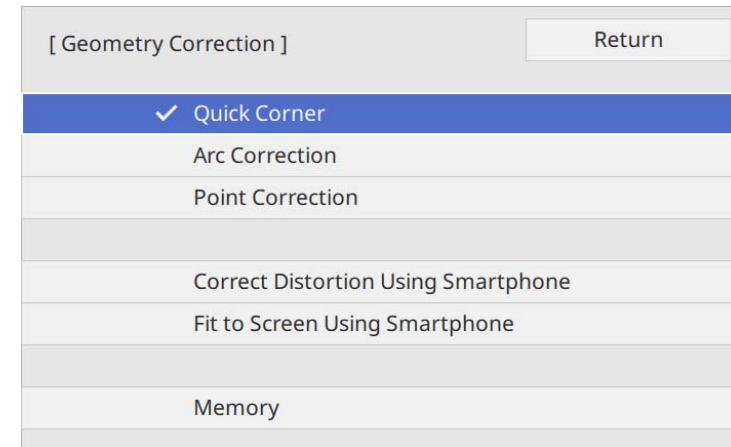


- 3** Select the **Installation** menu and press [Enter].



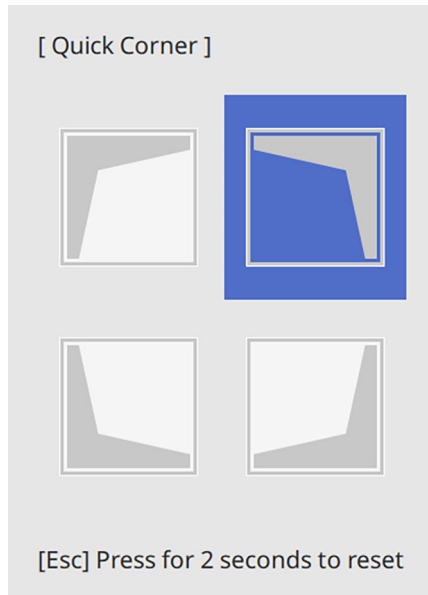
- 4** Select **Geometry Correction** and press [Enter].

- 5** Select **Quick Corner** and press [Enter]. Then select **Yes** and press [Enter] if necessary.



You see the area selection screen.

- 6** Use the arrow buttons to select the area of the image you want to adjust. Then press [Enter].

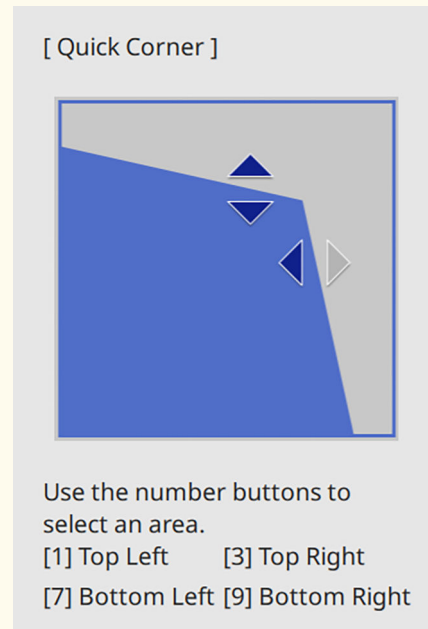


To reset the **Quick Corner** corrections, hold down [Esc] for about 2 seconds while the area selection screen is displayed, and then select **Yes**.

- 7** Press the arrow buttons to adjust the image shape as necessary. To return to the area selection screen, press [Enter].



- You can also select the area by pressing the following numeric buttons on the remote control:
 - [1] selects the upper left area.
 - [3] selects the upper right area.
 - [7] selects the lower left area.
 - [9] selects the lower right area.
- If you see this screen, you cannot adjust the shape any further in the direction indicated by the gray triangle.



- 8** Repeat steps 6 and 7 as needed to adjust any remaining corners.
- 9** When you are finished, press [Esc].

The **Geometry Correction** setting is now set to **Quick Corner** in the projector's **Installation** menu.

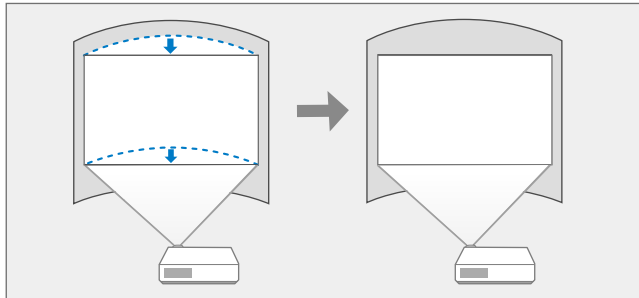


To save the current shape of an image you have adjusted, select **Save Memory**. You can save up to three image shapes in the memory.

☛ **Installation > Geometry Correction > Memory > Save Memory**

Correcting Image Shape with Arc Correction

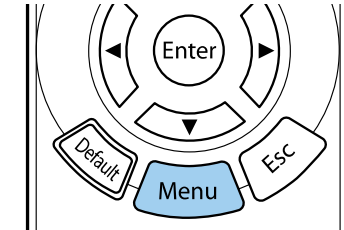
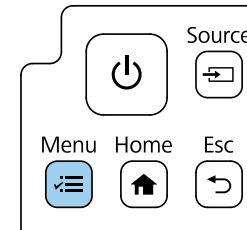
You can use the projector's **Arc Correction** setting to adjust the shape of an image projected on a curved or spherical surface.



If you change the **Screen Type** and **Screen Position** settings, the adjustments are reset.

1 Turn on the projector and display an image.

2 Press the [Menu] button on the control panel or remote control.

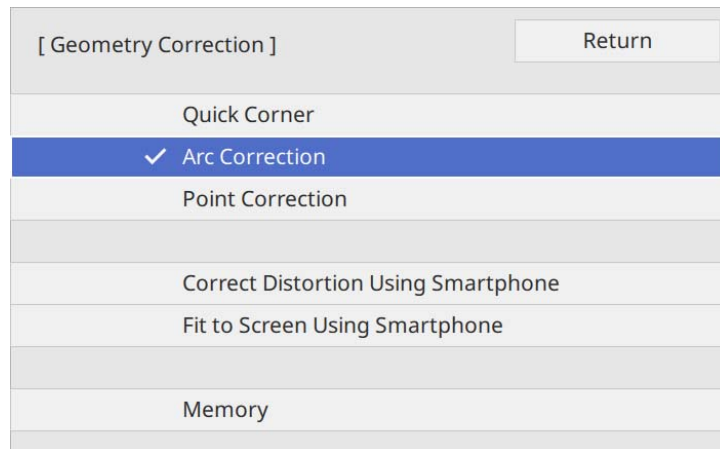


3 Select the **Installation** menu and press [Enter].

Frequently Used Items	Installation
Image	Fixed Installation Off
Signal I/O	Test Pattern
Installation	Setting Plate Installation Guide
Display	Projection Front/Upside Down
Operation	Geometry Correction Point Correction
Management	Geometry Correction Wizard
Network	Digital Zoom
Memory	Remote Receiver Off
ECO	Screen Type 16:9
Initial/All Settings	High Altitude Mode Off
	Source HDMI1
	Blanking
	Reset to Defaults
	Install Again
	Reset Installation Settings
	Display
	No-signal Screen Blue

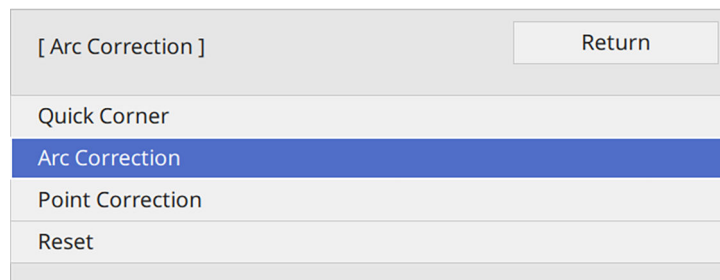
4 Select **Geometry Correction** and press [Enter].

5 Select **Arc Correction** and press [Enter].



You see the **Arc Correction** screen.

6 Select **Arc Correction** and press [Enter].



You see the area selection screen.

7 Use the arrow buttons to select the area of the image you want to adjust, then press [Enter].

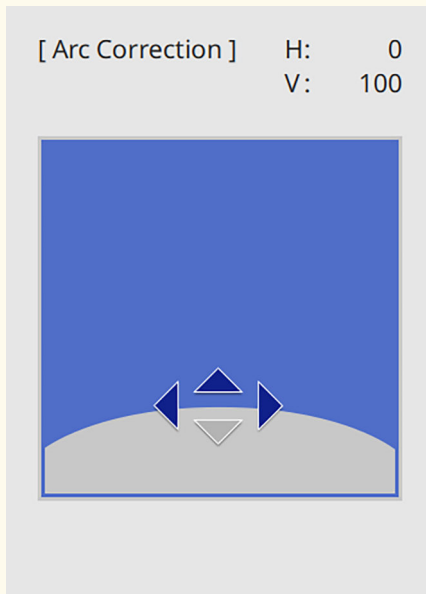


8 Press the arrow buttons to adjust the image shape of the selected area as necessary.

To return to the area selection screen, press [Enter].



If you see this screen, you cannot adjust the shape any further in the direction indicated by the gray triangle.

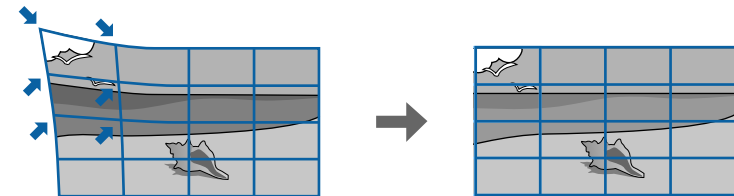


▶▶ Related Links

- "Correcting the Image Shape with Quick Corner" [p.54](#)
- "Correcting Image Shape with Point Correction" [p.59](#)

Correcting Image Shape with Point Correction

You can use the projector's **Point Correction** setting to fine-tune the image shape in portions of an image. The image is divided into a grid which allows you to move intersection points on the grid as necessary to correct distortion.



If you change the **Screen Type** and **Screen Position** settings, the adjustments are reset.

9 Repeat steps 7 and 8 as needed to adjust any remaining corners.

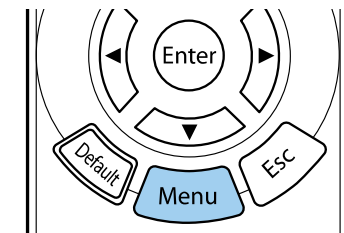
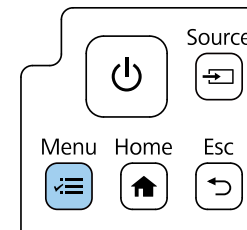
10 When you are finished, press [Esc].



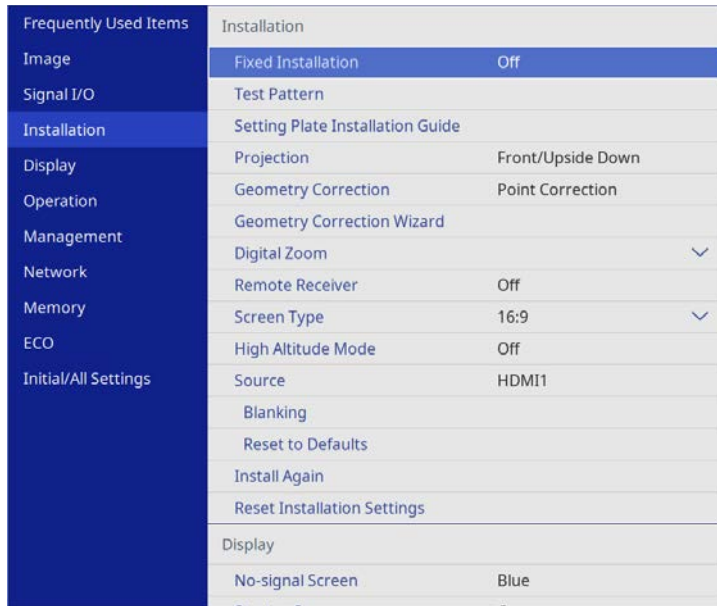
- You can fine tune the corrected results. Use **Quick Corner** to adjust the tilt of the image, and then use **Point Correction** for fine tuning. Select **Quick Corner** or **Point Correction** on the screen in step 6.
- To save the current shape of an image you have adjusted, select **Save Memory**. You can save up to three image shapes in the memory.
 - ▶ **Installation > Geometry Correction > Memory > Save Memory**
- To reset the **Arc Correction** settings, hold down [Esc] for about 2 seconds while the area selection screen is displayed, and then select **Yes**.

1 Turn on the projector and display an image.

2 Press the [Menu] button on the control panel or remote control.

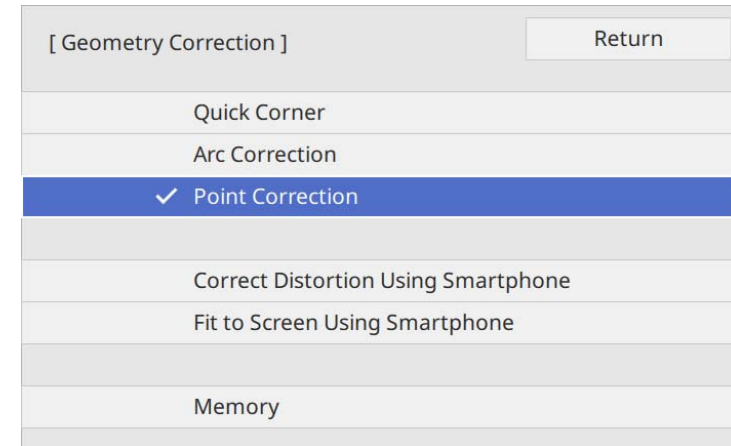


3 Select the **Installation** menu and press [Enter].



4 Select **Geometry Correction** and press [Enter].

5 Select **Point Correction** and press [Enter]. Then select **Yes** and press [Enter] if necessary.



6 Select **Point Correction** and press [Enter].



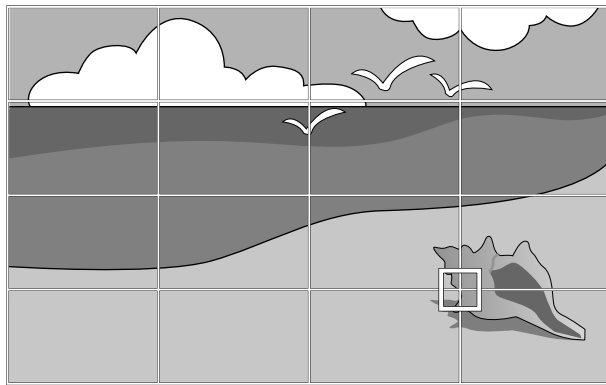
For fine tuning, select **Quick Corner** to correct the shape and size of an image roughly, and then select **Point Correction** to adjust them precisely.

7 Select the point number and press [Enter].
You see the grid on the projected image.

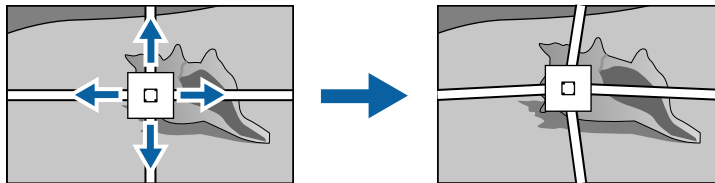


If you want to change the grid color for visibility, press [Esc], then select a different **Pattern Color** setting in the **Point Correction** menu.

- 8** Use the arrow buttons to move to the point you want to correct, then press [Enter].



- 9** Use the arrow buttons to correct distortion as necessary.



- 10** To correct any remaining points, press [Esc] to return to the previous screen, then repeat steps 8 and 9.

- 11** When you are finished, press [Esc].

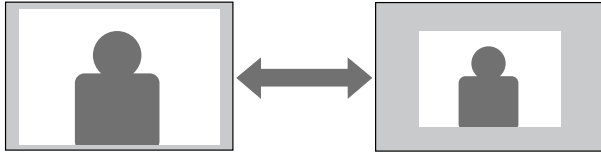


- To save the current shape of an image you have adjusted, select **Save Memory**. You can save up to three image shapes in the memory.
 - **Installation > Geometry Correction > Memory > Save Memory**
- To reset the **Point Correction** settings to their original positions, select **Reset** on the **Point Correction** screen.

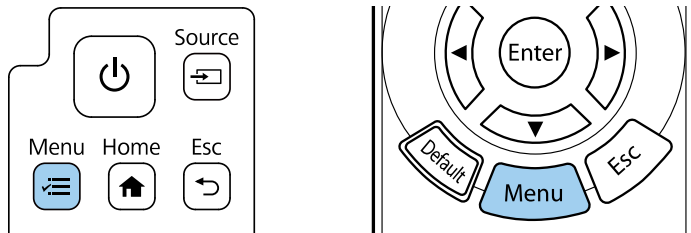
▶▶ Related Links

- "[Correcting the Image Shape with Quick Corner](#)" p.54

You can resize the image using the projector's menu.



- 1 Turn on the projector and display an image.
- 2 Press the [Menu] button on the control panel or remote control.



- 3 Select the **Installation** menu and press [Enter].

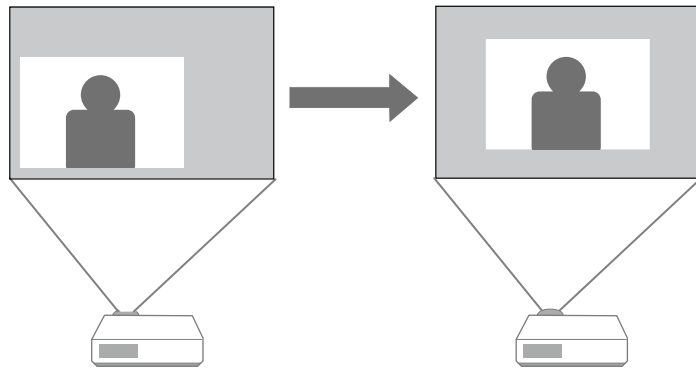
Frequently Used Items	Installation
Image	Fixed Installation Off
Signal I/O	Test Pattern
Installation	Setting Plate Installation Guide
Display	Projection Front/Upside Down
Operation	Geometry Correction Point Correction
Management	Geometry Correction Wizard
Network	Digital Zoom
Memory	Remote Receiver Off
ECO	Screen Type 16:9
Initial/All Settings	High Altitude Mode Off
	Source HDMI1
	Blanking
	Reset to Defaults
	Install Again
	Reset Installation Settings
	Display
	No-signal Screen Blue

- 4 Select **Digital Zoom** and press [Enter].
- 5 Press the left or right arrow button to adjust the zoom setting and press [Enter].
- 6 Press [Menu] or [Esc] to exit the menus.

You can use the **Image Shift** feature to adjust the image position without moving the projector.

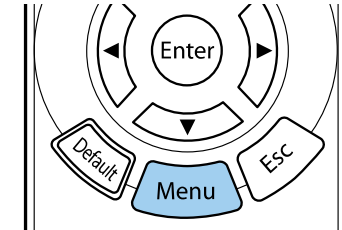
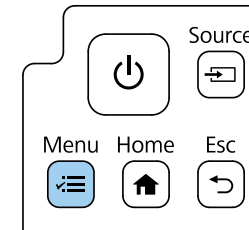


- This feature is available when you reduce the image using the Digital Zoom setting.
- We recommend adjusting the image position at least 30 minutes after you start projecting, because images are not stable right after turning on the projector.
- You cannot use the Epson Setting Assistant app and the Image Shift feature together. If you want to adjust the screen size and position when using the Epson Setting Assistant app, adjust with Quick Corner.



1 Turn on the projector and display an image.

2 Press the [Menu] button on the control panel or remote control.

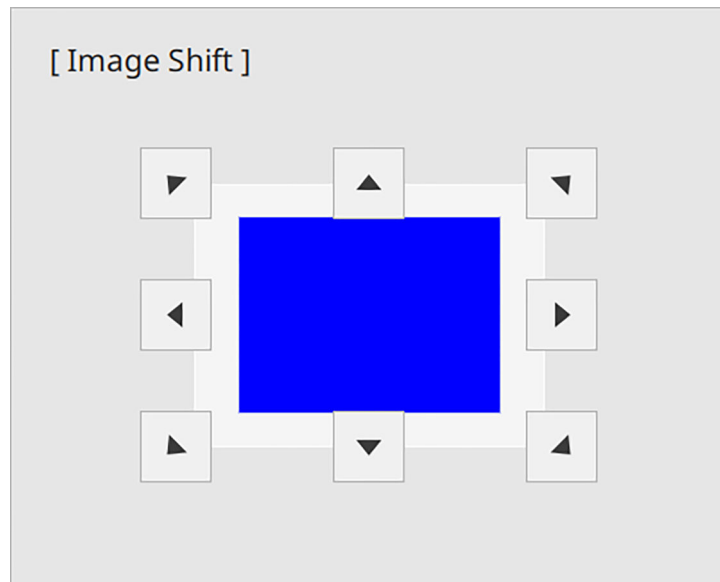


3 Select the **Installation** menu and press [Enter].

Frequently Used Items	Installation
Image	Fixed Installation Off
Signal I/O	Test Pattern
Installation	Setting Plate Installation Guide
Display	Projection Front/Upside Down
Operation	Geometry Correction Point Correction
Management	Geometry Correction Wizard
Network	Digital Zoom
Memory	Remote Receiver Off
ECO	Screen Type 16:9
Initial/All Settings	High Altitude Mode Off
	Source HDMI1
	Blanking
	Reset to Defaults
	Install Again
	Reset Installation Settings
	Display
	No-signal Screen Blue

4 Select **Image Shift** and press [Enter].

- 5** Use the arrow buttons to adjust the image position.



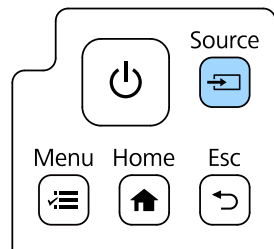
- 6** Press the [Esc] button to close the adjustment screen.
The adjustment screen disappears if no operation is performed after approximately 10 seconds.



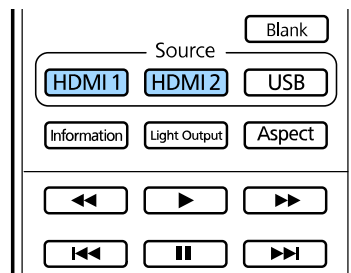
The **Image Shift** setting is retained even if the projector is turned off. You need to re-adjust the position if you change the installation location or angle of the projector.

When multiple image sources are connected to the projector, such as a computer and DVD player, you can switch from one image source to the other.

- 1** Make sure the connected image source you want to use is turned on.
- 2** For video image sources, insert a DVD or other video media and press play.
- 3** Do one of the following:
 - Press the [Source] button on the projector until you select the source you want.



- Press the button for the source you want on the remote control.



The projector can display images in different width-to-height ratios called aspect ratios. Normally, the input signal from your video source determines the image's aspect ratio.

If you always want to use a particular aspect ratio for a certain video input source, you can select it using the projector's **Image** menu.

► **Related Links**

- "Changing the Image Aspect Ratio" p.66
- "Available Image Aspect Ratios" p.66

3 To cycle through the available aspect ratios for your input signal, press the [Aspect] button repeatedly.



- The available aspect ratio setting varies depending on the input signal.
- If there are margins between the edge of the image and the projected screen frame, you can adjust the position of the image using the **Screen Position** setting in the projector's **Installation** menu.

☛ **Installation > Screen Type > Screen Position**

Changing the Image Aspect Ratio

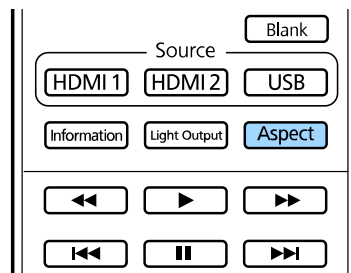
You can change the aspect ratio of the displayed image.



- Set the **Screen Type** setting in the projector's **Installation** menu before changing the aspect ratio.
- Available only when the current source is HDMI.

1 Turn on the projector and switch to the image source you want to use.

2 Press the [Aspect] button on the remote control.



The shape and size of the displayed image changes, and the name of the aspect ratio appears briefly on the screen.

Available Image Aspect Ratios

You can select the following image aspect ratios, depending on the selected **Screen Type** setting and the input signal from your image source.



Note that using the aspect ratio function of the projector to reduce, enlarge, or split the projected image for commercial purposes or for public viewing may infringe upon the rights of the copyright holder of that image based on copyright law.

Aspect mode	Description
Auto	Automatically sets the aspect ratio according to the input signal.
Full	Displays images using the full size of the projection area, but does not maintain the aspect ratio.
H-Zoom V-Zoom	Displays images using the full width (H-Zoom) or full height (V-Zoom) of the projection area and maintains the aspect ratio of the image. Areas that exceed the edges of the projected screen are not projected.

Aspect mode	Description
Native	Displays images as is (aspect ratio and resolution are maintained). Areas that exceed the edges of the projected screen are not projected.

The projector offers different color modes to provide optimum brightness, contrast, and color for a variety of viewing environments and image types. You can select the mode designed to match your image and environment, or experiment with the available modes.

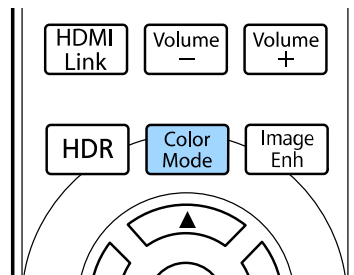
► Related Links

- "Changing the Color Mode" [p.68](#)
- "Available Color Modes" [p.68](#)
- "Turning On Automatic Luminance Adjustment" [p.68](#)

Changing the Color Mode

You can change the projector's Color Mode using the remote control to optimize the image for your viewing environment.

- 1** Turn on the projector and switch to the image source you want to use.
- 2** Press the [Color Mode] button on the remote control to change the Color Mode.



The name of the Color Mode appears briefly on the screen and then image appearance changes.

- 3** To cycle through all of the available color modes for your input signal, press the [Color Mode] button repeatedly.



You can also set the **Color Mode** setting in the projector's **Image** menu.

Available Color Modes

You can set the projector to use these color modes, depending on the input source you are using:

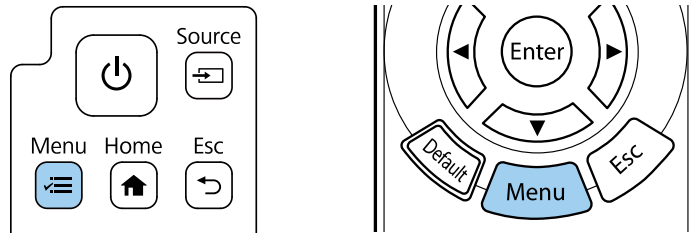
Color mode	Description
Dynamic	This is the brightest mode. Best for prioritizing brightness.
Vivid	Best for enjoying various content in a bright environment.
Cinema	Best for enjoying content such as movies.
Natural	Best for faithfully reproducing the color representation of the content.

Turning On Automatic Luminance Adjustment

You can turn on Dynamic Contrast to automatically optimize the image luminance. This improves the image contrast based on the brightness of the content you project.

- 1** Turn on the projector and switch to the image source you want to use.

2 Press the [Menu] button on the control panel or remote control.



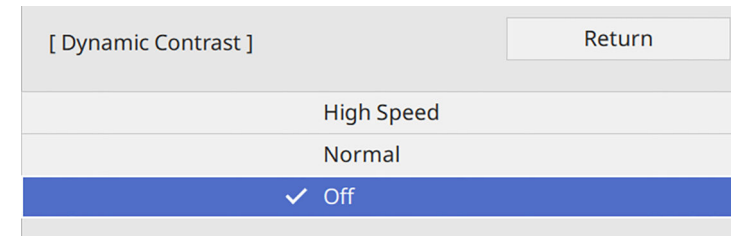
3 Select the **Image** menu and press [Enter].

Frequently Used Items	Image	
Image	Color Mode	Dynamic
Signal I/O	Brightness	50
Installation	Contrast	50
Display	Color Saturation	50
Operation	Tint	50
Management	Sharpness	5
Network	White Balance	
Memory	Frame Interpolation	Off
ECO	Dynamic Contrast	Off
Initial/All Settings	Image Enhancement	
	Scene Adaptive Gamma	0
	Gamma	0
	RGBCMY	
	Reset to Defaults	
	Source	HDMI1
	Aspect	Auto
	Reset to Defaults	
	Reset Image Settings	

4 Select **Dynamic Contrast** and press [Enter].

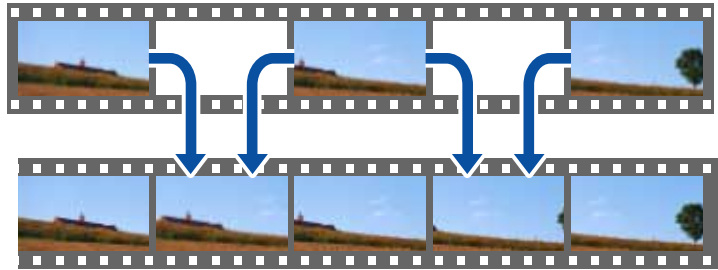
5 Choose one of the following options and press [Enter]:

- **Normal** for standard brightness adjustment.
- **High Speed** to adjust brightness as soon as the scene changes.



6 Press [Menu] or [Esc] to exit the menus.

You can use the projector's **Frame Interpolation** feature to smooth fast-moving video by comparing consecutive image frames and inserting an intermediate image frame between them.

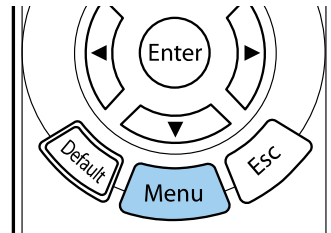
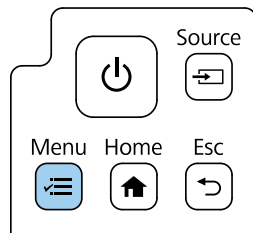


Frame Interpolation is available in these conditions:

- This setting is available when using one of the following input sources:
 - HDMI1
 - HDMI2
- **Image Processing** is set to **Fine** in the projector's **Signal I/O** menu.

1 Turn on the projector and switch to the image source you want to use.

2 Press the [Menu] button on the control panel or remote control.



3 Select the **Image** menu and press [Enter].

Frequently Used Items	Image	
Image	Color Mode	Dynamic
Signal I/O	Brightness	50
Installation	Contrast	50
Display	Color Saturation	50
Operation	Tint	50
Management	Sharpness	5
Network	White Balance	
Memory	Frame Interpolation	Off
ECO	Dynamic Contrast	Off
Initial/All Settings	Image Enhancement	
	Scene Adaptive Gamma	0
	Gamma	0
	RGBCMY	
	Reset to Defaults	
	Source	HDMI1
	Aspect	Auto
	Reset to Defaults	
	Reset Image Settings	

4 Select **Frame Interpolation** and press [Enter].

5 Select the level of interpolation and press [Enter].

[Frame Interpolation]	Return
✓ Off	
Low	
Normal	
High	

6 Press [Menu] or [Esc] to exit the menus.



If your resulting images contain noise, turn off the **Frame Interpolation** setting.

You can fine-tune various aspects of how colors are displayed in your projected images.

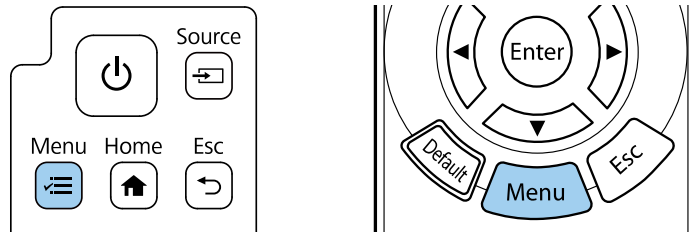
► **Related Links**

- "Adjusting the Hue, Saturation, and Brightness" [p.72](#)
- "Adjusting the Gamma" [p.73](#)

Adjusting the Hue, Saturation, and Brightness

You can adjust the Hue, Saturation, and Brightness settings for individual image colors.

- 1** Turn on the projector and switch to the image source you want to use.
- 2** Press the [Menu] button on the control panel or remote control.



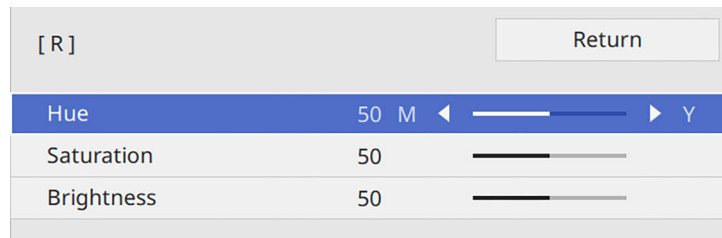
- 3** Select the **Image** menu and press [Enter].

Frequently Used Items	Image	
Image	Color Mode	Dynamic
Signal I/O	Brightness	50
Installation	Contrast	50
Display	Color Saturation	50
Operation	Tint	50
Management	Sharpness	5
Network	White Balance	
Memory	Frame Interpolation	Off
ECO	Dynamic Contrast	Off
Initial/All Settings	Image Enhancement	
	Scene Adaptive Gamma	0
	Gamma	0
	RGBCMY	
	Reset to Defaults	
	Source	HDMI1
	Aspect	Auto
	Reset to Defaults	
	Reset Image Settings	

- 4** Select **RGBCMY** and press [Enter].
- 5** Select the color to adjust, and press [Enter].

[RGBCMY]		Return	
	Hue	Saturation	Brightness
R	50	50	50
G	50	50	50
B	50	50	50
C	50	50	50
M	50	50	50
Y	50	50	50

- 6** Do the following as necessary for each setting:
- To adjust the overall hue of the color, bluish - greenish - reddish, adjust the **Hue** setting.
 - To adjust the overall vividness of the color, adjust the **Saturation** setting.
 - To adjust the overall color brightness of the color, adjust the **Brightness** setting.



- 7** Press [Menu] or [Esc] to exit the menus.

Adjusting the Gamma

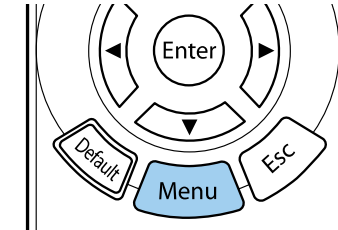
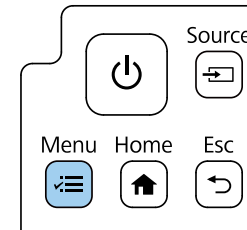
You can correct differences in projected image colors that occur between different image sources by adjusting the Gamma setting.



To optimize the color tone according to the scene, and to obtain a more vivid image, correct the image by adjusting the **Scene Adaptive Gamma** setting.

- 1** Turn on the projector and switch to the image source you want to use.

- 2** Press the [Menu] button on the control panel or remote control.

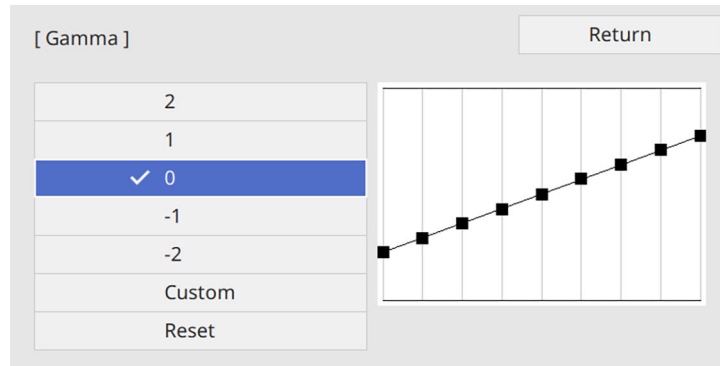


- 3** Select the **Image** menu and press [Enter].

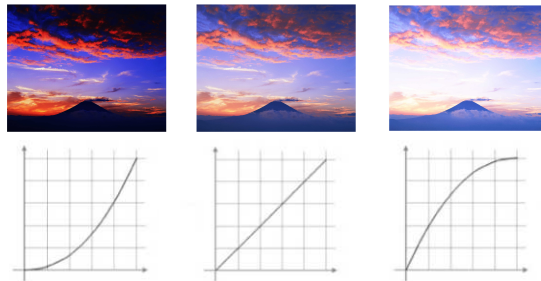
Frequently Used Items	Image	
Image	Color Mode	Dynamic
Signal I/O	Brightness	50
Installation	Contrast	50
Display	Color Saturation	50
Operation	Tint	50
Management	Sharpness	5
Network	White Balance	
Memory	Frame Interpolation	Off
ECO	Dynamic Contrast	Off
Initial/All Settings	Image Enhancement	
	Scene Adaptive Gamma	0
	Gamma	0
	RGBCMY	
	Reset to Defaults	
	Source	HDMI1
	Aspect	Auto
	Reset to Defaults	
	Reset Image Settings	

- 4** Select **Gamma** and press [Enter].

- 5** Select and adjust the correction value.



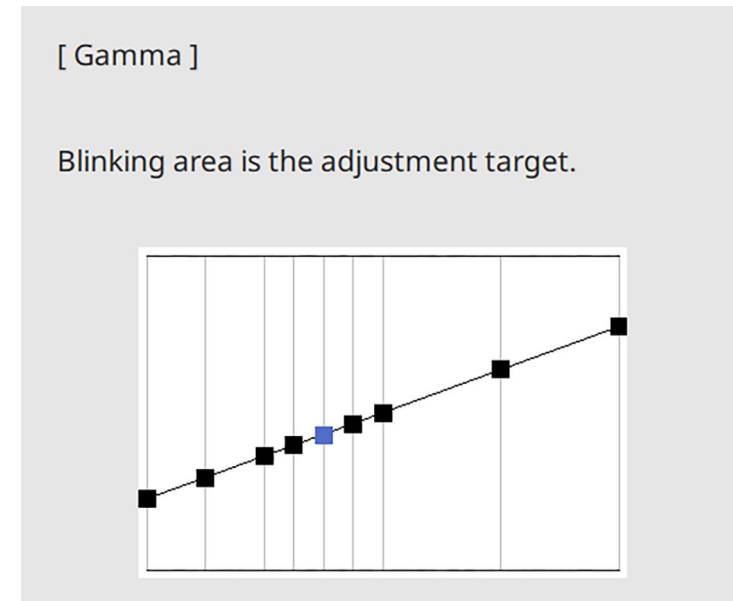
When you select a smaller value, you can reduce the overall brightness of the image to make the image sharper. When you select a larger value, the dark areas of images become brighter, but the color saturation for lighter areas may become weaker.



Medical images may not be reproduced correctly depending on your settings and screen specifications.

- 6** If you want to make finer adjustments, select **Custom** and press [Enter].

- 7** Press the left or right arrow buttons to select the color tone you want to adjust on the gamma adjustment graph. Then press the up or down arrow button to adjust the value and press [Enter].



- 8** Press [Menu] or [Esc] to exit the menus.

You can adjust the resolution of the image to reproduce a clear image with an emphatic texture and material feel.

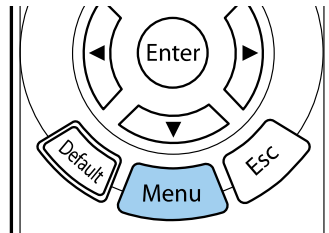
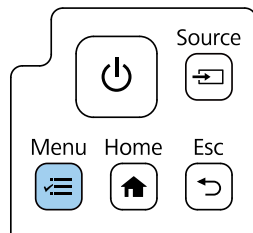


Noise Reduction and **MPEG Noise Reduction** are available when **Image Processing** is set to **Fine**.

➤ **Signal I/O > Image Processing**

1 Turn on the projector and switch to the image source you want to use.

2 Press the [Menu] button on the control panel or remote control.

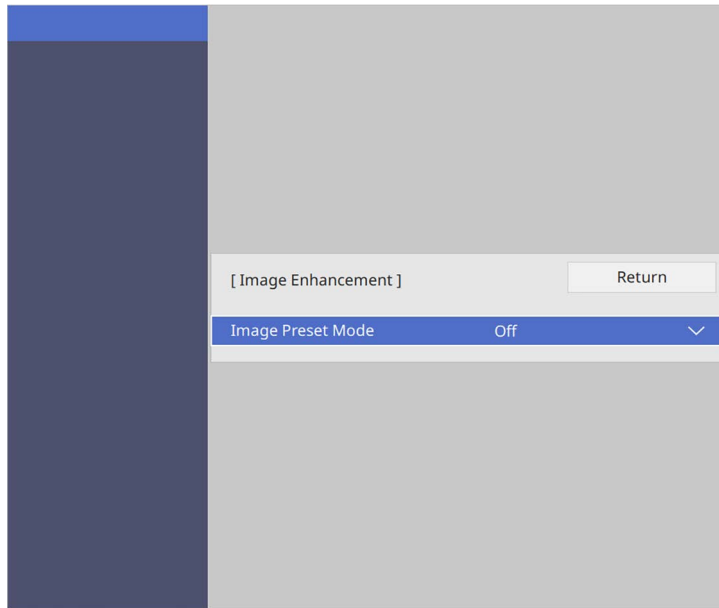


3 Select the **Image** menu and press [Enter].

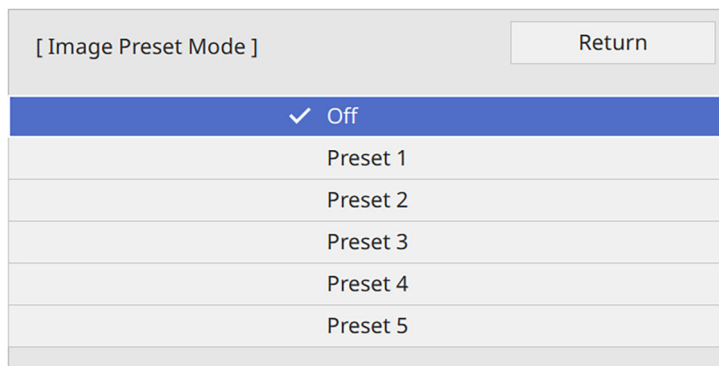
Frequently Used Items	Image	
Image	Color Mode	Dynamic
Signal I/O	Brightness	50
Installation	Contrast	50
Display	Color Saturation	50
Operation	Tint	50
Management	Sharpness	5
Network	White Balance	
Memory	Frame Interpolation	Off
ECO	Dynamic Contrast	Off
Initial/All Settings	Image Enhancement	
	Scene Adaptive Gamma	0
	Gamma	0
	RGBCMY	
	Reset to Defaults	
	Source	HDMI1
	Aspect	Auto
	Reset to Defaults	
	Reset Image Settings	

4 Select **Image Enhancement** and press [Enter].

- 5** Select **Image Preset Mode** and press [Enter].



- 6** Select the preset option and press [Enter].



The following settings saved in the preset option are applied to the image.

- **Noise Reduction**
- **MPEG Noise Reduction**
- **Super-resolution**
- **Auto Contrast Enhancement**

- 7** Adjust each setting in the projector's **Image** menu individually as necessary.

- To reduce flickering in images, adjust the **Noise Reduction** setting.
- To reduce the noise or artifacts seen in MPEG video, adjust the **MPEG Noise Reduction** setting.
- To reduce blurring appeared when projecting low resolution image, adjust the **Super-resolution** setting.
- To create a clearer and sharper image by automatically adjusting the contrast, adjust the **Auto Contrast Enhancement** setting.



The settings value in the preset option are overwritten.

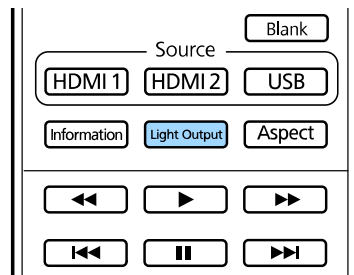
- 8** Press [Menu] or [Esc] to exit the menus.



You can also set the **Image Enhancement** setting in the projector's **Image** menu.

You can adjust the brightness of your projector's light source.

- 1 Turn on the projector and switch to the image source you want to use.
- 2 Press the [Light Output] button on the remote control.



- 3 Use the left and right arrow buttons to select the brightness.



- 4 Press [Menu] or [Esc] to exit the menus.



You can also set the **Brightness Level** setting in the projector's **Image** menu.

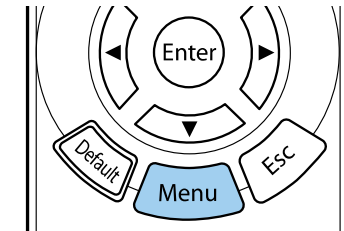
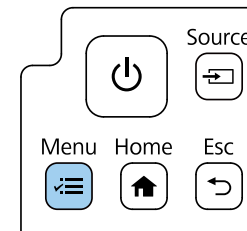
► Related Links

- "Turning On Automatic Luminance Adjustment" [p.77](#)
- "Projector Specifications" [p.175](#)

Turning On Automatic Luminance Adjustment

You can turn on Dynamic Contrast to automatically optimize the image luminance. This improves the image contrast based on the brightness of the content you project.

- 1 Turn on the projector and switch to the image source you want to use.
- 2 Press the [Menu] button on the control panel or remote control.



3 Select the **Image** menu and press [Enter].

Frequently Used Items	Image	
Image	Color Mode	Dynamic
Signal I/O	Brightness	50
Installation	Contrast	50
Display	Color Saturation	50
Operation	Tint	50
Management	Sharpness	5
Network	White Balance	
Memory	Frame Interpolation	Off
ECO	Dynamic Contrast	Off
Initial/All Settings	Image Enhancement	
	Scene Adaptive Gamma	0
	Gamma	0
	RGBCMY	
	Reset to Defaults	
	Source	HDMI1
	Aspect	Auto
	Reset to Defaults	
	Reset Image Settings	

6 Press [Menu] or [Esc] to exit the menus.

4 Select **Dynamic Contrast** and press [Enter].

5 Choose one of the following options and press [Enter]:

- **Normal** for standard brightness adjustment.
- **High Speed** to adjust brightness as soon as the scene changes.

[Dynamic Contrast]	Return
High Speed	
Normal	
✓ Off	

Adjusting Projector Features

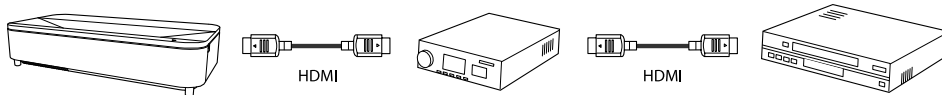
Follow the instructions in these sections to use your projector's adjustment features.

▶▶ Related Links

- "HDMI Link Features" [p.80](#)
- "Projecting a PC Free Presentation" [p.82](#)
- "Projecting in Content Playback Mode" [p.87](#)
- "Shutting Off the Image Temporarily" [p.93](#)
- "Saving Settings to Memory and Using Saved Settings " [p.94](#)
- "Projector Security Features" [p.95](#)

When an audio/video source that meets the HDMI CEC standard is connected to the projector's HDMI port, you can use the projector's remote control to control certain features of the linked device.

Example: Projector, audio/video system, and multi-media players connection



- As long as the connected device meets the HDMI CEC standard, you can use the HDMI Link features even if the audio/video system in-between does not meet the HDMI CEC standard.
- Up to 3 multi-media players that meet the HDMI CEC standard can be connected at the same time.

► **Related Links**

- "Operating the Connected Devices Using the HDMI Link Features" [p.80](#)

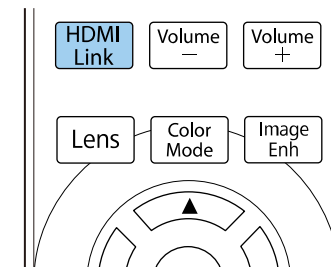
Operating the Connected Devices Using the HDMI Link Features

You can select the connected device that is available for HDMI Link and control the selected device using the HDMI Link features.



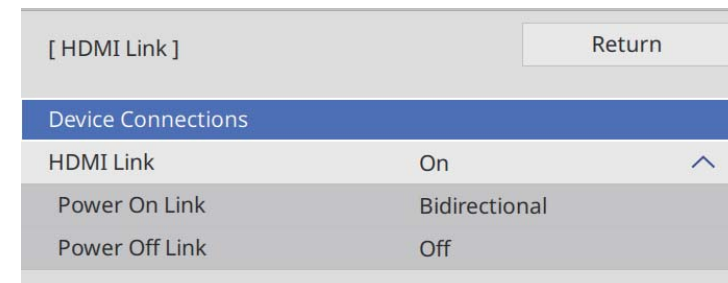
- When you use the HDMI Link features, set the **HDMI Link** setting to **On** in the projector's **Signal I/O** menu.
 - ☛ **Signal I/O > HDMI Link > HDMI Link**
- You must also configure the connected device. See the documentation supplied with the device for more information.
- Some connected devices or functions of those devices may not operate properly even if they meet the HDMI CEC standard. See the documentation supplied with the device for more information.
- Use a cable that supports the HDMI standard.

1 Press the [HDMI Link] button on the remote control.



2 Make sure **HDMI Link** is set to **On**.

3 Select **Device Connections** and press [Enter].



- 4** Select the device you want to control and project the image from, and press [Enter].



- A linked device is indicated by a blue mark.
- The device name is left blank if it cannot be acquired.

- 5** Press [Esc] to select the HDMI Link options as necessary.

- **Power On Link** lets you control what happens when you turn on the projector or linked device.



- Select **PJ** -> **Device** or **Bidirectional** to turn the linked device on when the projector is turned on.
- Select **Device** -> **PJ** or **Bidirectional** to turn the projector on when the linked device is turned on.

- **Power Off Link** lets you control whether linked devices are turned off when the projector is turned off.



- **Power Off Link** only works when the connected device's CEC power link function is enabled.
- Note that depending on the status of the connected device (for example, if it is recording), the device may not be turned off.

- 6** Press [HDMI Link] or [Esc] to exit the menus.

You can use the projector's remote control to control the linked device such as playback, stop, or adjust the volume.

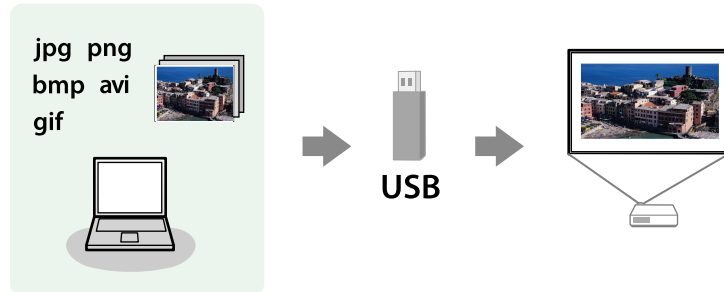


You can also set the **HDMI Link** setting in the projector's **Signal I/O** menu.

▶▶ Related Links

- "Input Signal Settings - Signal I/O Menu" [p.122](#)

You can use your projector's PC Free feature whenever you connect a USB device that contains compatible presentation files. This lets you quickly and easily display a presentation and control it using the projector's remote control.



► **Related Links**

- "Supported PC Free File Types" [p.82](#)
- "Precautions on PC Free Projection" [p.83](#)
- "Starting a PC Free Slide Show" [p.83](#)
- "Starting a PC Free Movie Presentation" [p.84](#)
- "PC Free Display Options" [p.85](#)

Supported PC Free File Types

You can project these types of files using the projector's PC Free feature.



- For best results, place your files on media that is formatted in FAT16/32.
- If you have trouble projecting from media formatted for non-Windows file systems, try formatting the media for Windows instead.

File contents	File type (extension)	Details
Image	.jpg	Make sure the file is not: <ul style="list-style-type: none"> • CMYK format • Progressive format • Highly compressed • Above 8,192 × 8,192 resolution
	.bmp	Make sure the file is not: <ul style="list-style-type: none"> • Above 1,280 × 800 resolution
	.gif	Make sure the file is not: <ul style="list-style-type: none"> • Above 1,280 × 800 resolution • Animated • Interlaced
	.png	Make sure the file is not: <ul style="list-style-type: none"> • Above 1,920 × 1,200 resolution • Interlaced When you use a projector with a resolution of 1,080p, you can project a file with a maximum resolution of 1,920 × 1,200.

File contents	File type (extension)	Details
Movie	.avi (Motion JPEG)	<ul style="list-style-type: none"> • Version: AVI 1.0 only • Resolution: 1280 × 720 or less • Size: 2 GB or less • Movie Codec: Motion JPEG • Frame Rate: up to 30 fps • Audio Codec: LPCM or IMA ADPCM • Audio Sampling Rate: 11.025 kHz, 16 kHz, 22.05 kHz, 24 kHz, 32 kHz, 44.1 kHz, or 48 kHz

File contents	File type (extension)	Details
Movie	.mp4/.mov (H.264, H265)	<ul style="list-style-type: none"> Resolution: 1920 × 1200 or less Size: 2 GB or less Movie Codec: H.264/MPEG-4 AVC or H.265/MPEG-H HEVC Frame Rate: up to 30 fps Profile: <ul style="list-style-type: none"> H.264/MPEG-4 AVC: Baseline Profile, Main Profile, High Profile H.265/MPEG-H HEVC: Main Profile Color Format: YUV420 Single slice structure Audio Codec: MPEG-2 AAC-LC, MPEG-4 AAC-LC, or LPCM Audio Channel: up to 2ch (channel 2) Audio Bit: 8 bits or 16 bits Audio Sampling Rate: <ul style="list-style-type: none"> MPEG-2 AAC-LC: 44.1 kHz, 48 kHz MPEG-4 AAC-LC: 44.1 kHz, 48 kHz LPCM: 11.025 kHz, 16 kHz, 22.05 kHz, 24 kHz, 32 kHz, 44.1 kHz, or 48 kHz

- When connecting a USB device that includes an AC adapter, connect the AC adapter to an electrical outlet when you use the device with your projector.
- Some commercially available USB card readers may not be compatible with the projector.
- The projector can recognize up to 5 cards inserted into the connected card reader at one time.

▶ **Related Links**

- "Shutting Off the Image Temporarily" [p.93](#)

Starting a PC Free Slide Show

After connecting a USB device to the projector, you can switch to the USB input source and start your slide show.



You can change the PC Free operation options or add special effects by highlighting **Option** at the bottom of the screen and pressing [Enter].

- 1** Press the [USB] button on the remote control until the PC Free file list screen appears.

Precautions on PC Free Projection

Note the following precautions when using PC Free features.

- Do not disconnect the USB storage device while it is being accessed; otherwise, PC Free may not operate correctly.
- You may not be able to use the security features on certain USB storage devices with PC Free features.





- If the Select Drive screen is displayed, press the arrow buttons to select the drive and press [Enter].
- To display images on the other USB drive, highlight **Select Drive** at the top of the file list screen and press [Enter].

2 Do one of the following to locate your files:

- If you need to display files inside a subfolder on your device, press the arrow buttons to highlight the folder and press [Enter].
- To move back up a folder level on your device, highlight **Back to Top** and press [Enter].
- To view additional files in a folder, highlight **Next Page** or **Previous Page** and press [Enter].

3 Do one of the following:

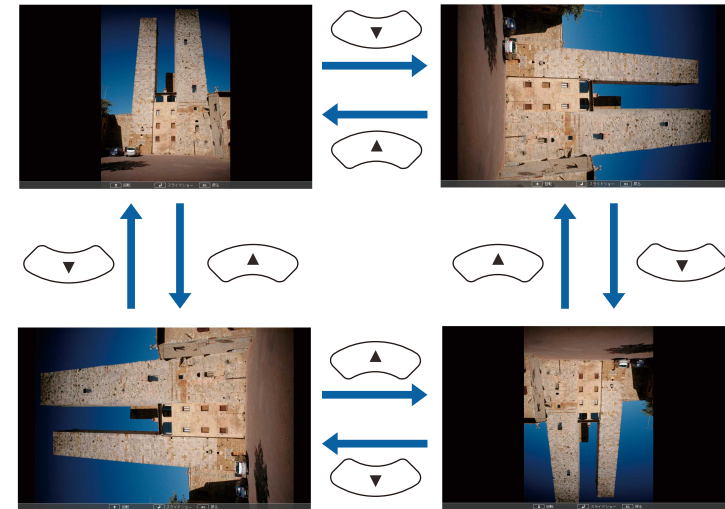
- To display an individual image, press the arrow buttons to highlight the image and press [Enter]. (Press the [Esc] button to return to the file list screen.)
- To display a slide show of all the images in a folder, press the arrow buttons to highlight the **Slideshow** option at the bottom of the screen and press [Enter].



- You can change the image switching time by highlighting **Option** at the bottom of the screen and pressing [Enter].
- If any file names are longer than the display area or include unsupported symbols, the file names may be shortened or changed only on the screen display.

4 While projecting, use the following commands to control the display:

- To rotate a displayed image, press the up or down arrow button.



- To move to the next or previous image, press the left or right arrow button.

5 To stop the display, follow the on-screen instructions or press the [Esc] button.

You return to the file list screen.

6 Turn off the USB device, if necessary, and then disconnect the device from the projector.

► Related Links

- "Connecting to a USB Device" [p.29](#)
- "PC Free Display Options" [p.85](#)

Starting a PC Free Movie Presentation

After connecting a USB device to the projector, you can switch to the USB input source and start your movie.



You can change the PC Free operation options by highlighting **Option** at the bottom of the screen and pressing [Enter].

- 1 Press the [USB] button on the remote control until the PC Free file list screen appears.



- If the Select Drive screen is displayed, press the arrow buttons to select the drive and press [Enter].
- To display images on the other USB drive, highlight **Select Drive** at the top of the file list screen and press [Enter].

- 2 Do one of the following to locate your files:
 - If you need to display files inside a subfolder on your device, press the arrow buttons to highlight the folder and press [Enter].
 - To move back up a folder level on your device, highlight **Back to Top** and press [Enter].
 - To view additional files in a folder, highlight **Next Page** or **Previous Page** and press [Enter].

- 3 To play back a movie, press the arrow buttons to highlight the file and press [Enter].



- If any file names are longer than the display area or include unsupported symbols, the file names may be shortened or changed only on the screen display.
- If you want to play back all the movies in a folder in sequence, select the **Slideshow** option at the bottom of the screen.

- 4 To stop movie playback, press the [Esc] button, highlight **Exit**, and press [Enter].
You return to the file list screen.

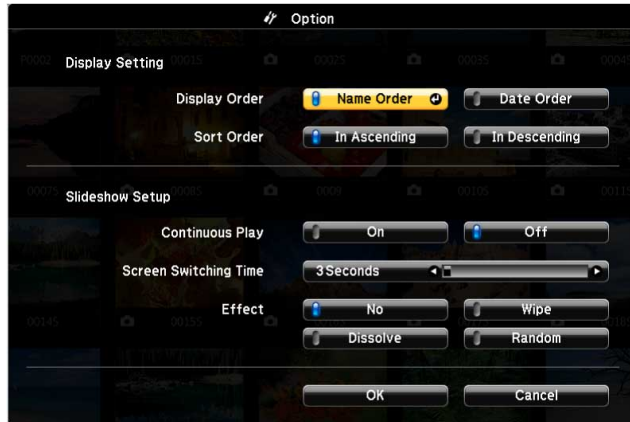
- 5 Turn off the USB device, if necessary, and then disconnect the device from the projector.

▶▶ Related Links

- "Connecting to a USB Device" [p.29](#)
- "PC Free Display Options" [p.85](#)

PC Free Display Options

You can select these display options when using PC Free. To access this screen, highlight **Option** at the bottom of the PC Free file list screen and press [Enter].



Setting	Options	Description
	Random	Transitions between images using a random variety of effects

Setting	Options	Description
Display Order	Name Order	Displays files in name order
	Date Order	Displays files in date order
Sort Order	In Ascending	Sorts files in first-to-last order
	In Descending	Sorts files in last-to-first order
Continuous Play	On	Displays a slide show continuously
	Off	Displays a slide show once
Screen Switching Time	No	Does not display the next file automatically
	1 Second to 60 Seconds	Displays files for the selected time and switches to the next file automatically; high resolution images may switch at a slightly slower rate
Effect	No	No effect
	Wipe	Transitions between images using a wipe effect
	Dissolve	Transitions between images using a dissolve effect

Your projector's Content Playback feature allows you to project your digital signage content. You can easily project playlists that contain images and movies saved on an external storage device. You can also add color and shape effects to your projected image.



► Related Links

- "Switching to Content Playback Mode" [p.87](#)
- "Projecting Your Playlists" [p.88](#)
- "Adding Effects to Your Projected Image" [p.90](#)
- "Content Playback Mode Restrictions" [p.92](#)

Switching to Content Playback Mode

Before you project your playlists, you need to switch to Content Playback mode.



If you set the **Content Playback** setting to **On** when the **Screen Type** setting is set to a different aspect ratio from the projector's resolution, the **Screen Type** setting is reset.

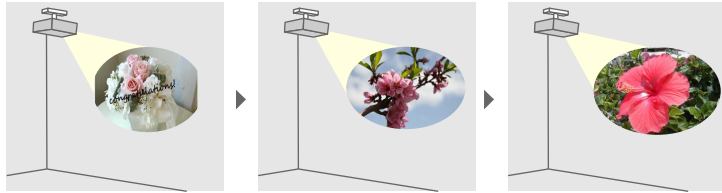
- 1** Turn on the projector.
- 2** Press the [Menu] button, select the **Operation** menu, and then press [Enter].

Frequently Used Items	Operation
Image	Auto Source Search On
Signal I/O	Light Source Brightness Cont...
Installation	Direct Power On Off
Display	Auto Power On Off
Operation	Sleep Mode On
Management	Sleep Mode Timer 10 min.
Network	Standby Mode Communication On
Memory	Quick Startup Off
ECO	USB Power On While Projecting
Initial/All Settings	Indicators On
	Inv Direction Button Off
	Content Playback Off
	Reset Operation Settings
	Management
	User Button Light Source Mode
	Child Lock Off
	Control Panel Lock Off

- 3** Select the **Content Playback** setting and set it to **On**. You see a confirmation prompt.
- 4** Turn off the projector, then turn it on again to enable Content Playback mode.

Projecting Your Playlists

You can project playlists that contain images and movies in Content Playback mode.



1 Create your playlists and export them to a USB flash drive using one of the following methods:

- The Epson Projector Content Manager software lets you create playlists and save them on an external storage device. You can also add color and shape effects to your projected image, and schedule playlists.

You can download and install Epson Projector Content Manager from the following Web site.

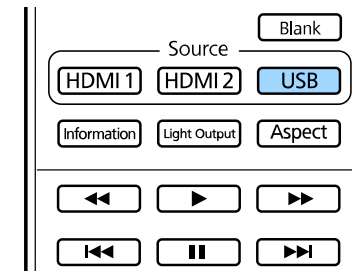
epson.sn

See the *Epson Projector Content Manager Operation Guide* for instructions.

- Epson Web Control allows you to create playlists using a Web browser and save them to an external storage device connected to a projector on a network. You can also add color and shape effects to your projected image.
- The Epson Creative Projection app lets you create content on iOS devices. You can also transfer content to the projector wirelessly.
You can download Epson Creative Projection from the App Store. Any fees incurred when communicating with the App Store are the responsibility of the customer.

2 In Content Playback mode, connect the USB flash drive into the projector's USB-A port.

3 Press the [USB] button on the remote control.



The playlist that was played last is projected. If there is a timetable assigned, the playlist will play back according to the schedule in the timetable.



To select the target playlist from the list, select **USB Viewer** in the projector's **Operation** menu, and use the arrow buttons.

▶▶ Related Links

- "Creating Playlists Using Epson Web Control" [p.88](#)
- "Getting the Latest Version of the Documents" [p.8](#)

Creating Playlists Using Epson Web Control

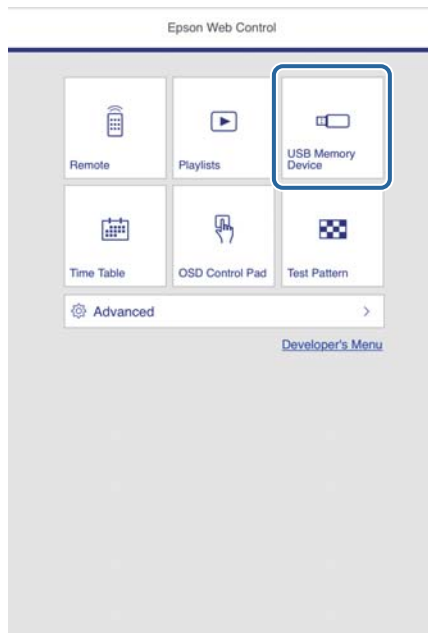
In Content Playback mode, you can create playlists using a Web browser and save them to a USB flash drive connected to a projector on a network.

Attention

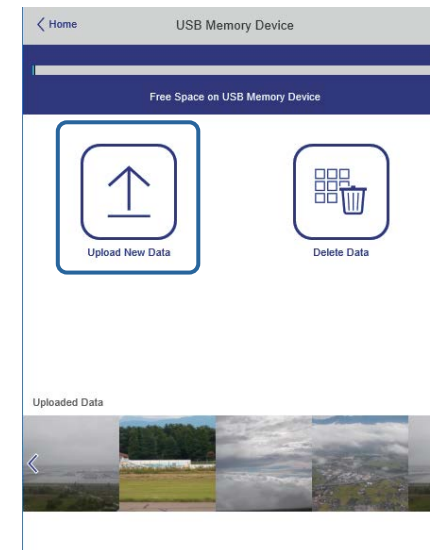
Do not remove the USB flash drive from the projector or disconnect the projector's power cord while creating playlists. Data saved on the USB flash drive may be damaged.

1 Make sure the projector is operating in Content Playback mode.

- 2 Make sure your computer or device is connected to the same network as the projector.
- 3 Make sure a USB flash drive is connected to the projector's USB-A port.
- 4 Start your Web browser on your computer or device.
- 5 Go to the Epson Web Control screen by entering the projector's IP address into the browser's address box. When entering an IPv6 address, wrap the address with [and].
- 6 Select **USB Memory Device**.



- 7 Select **Upload New Data**.



- 8 Select the images or movies you want to add to the playlist.

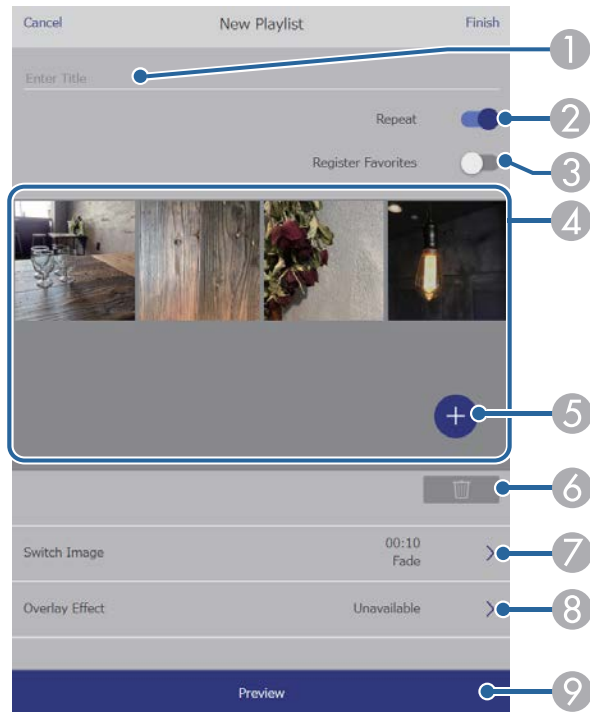


You can upload .avi, .jpeg (.jpg), .png, .bmp, or .gif files.
If you want to add .mp4 or .mov files to the playlist, use the Epson Projector Content Manager software or the Epson Creative Projection app.

The selected files are copied to the connected USB flash drive.

- 9 Do one of the following:
 - To add them to the existing playlist, select **Add to Playlist** and select the playlist you want to add them to.
 - To create a new playlist and add them to it, select **Create New Playlist**.

10 Edit the playlist.



- 1 Edits the playlist name.
- 2 Selects whether to enable repeat playback or not.
- 3 Registers the playlist to your favorites.
When a playlist has been registered as a favorite, you can start playback quickly using the **Remote** screen or the remote control.
- 4 Displays the images or movies you have added to the playlist. The playlist plays the images or movies in order.
- 5 Adds images or movies to the playlist.
- 6 Deletes images or movies from the playlist.

- 7 Opens the **Switch Image** screen.
You can specify the time interval to switch to the next image file. You can also select a transition effect.
- 8 Opens the **Effects** screen.
You can add predefined color and shape effect filters to a playlist. You can also create a customized effect.
- 9 Previews the playlist.

11 When you have finished editing the playlist, select **Finish**.



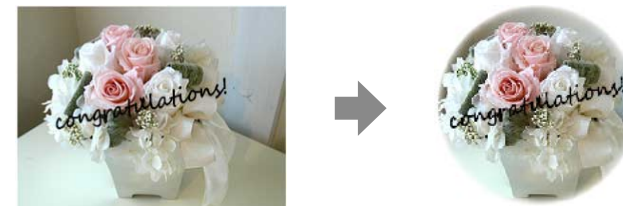
- You can play the playlist from the **Remote** or **Playlist** screen.
- When you want to specify when the playlist starts and finishes, schedule the playlist using the Epson Projector Content Manager software.

►► Related Links

- "Web Control Options" [p.101](#)

Adding Effects to Your Projected Image

You can add color and shape effects to the projected image in Content Playback mode.



To use the effect functions, make sure you perform **Refresh Mode** regularly.

☛ **Management > Refresh Mode**

- 1 In Content Playback mode, press the [Menu] button, select the **Operation** menu, and then press [Enter].

Frequently Used Items	Operation	
Image	Auto Source Search	On
Signal I/O	Light Source Brightness Cont...	
Installation	Direct Power On	Off
Display	Auto Power On	Off
Operation	Sleep Mode	On
Management	Sleep Mode Timer	10 min.
Network	Standby Mode	Communication On
Memory	Quick Startup	Off
ECO	USB Power	On While Projecting
Initial/All Settings	Indicators	On
	Inv Direction Button	Off
	Content Playback	Off
	Reset Operation Settings	
	Management	
	User Button	Light Source Mode
	Child Lock	Off
	Control Panel Lock	Off

- 2 Select **Overlay Effect** and press [Enter].

- 3 Select **On** as the **Overlay Effect** setting and press [Enter].

[Overlay Effect]	Return
Overlay Effect	On
Shape Filter	Circle 1
Color Filter	Off
Lightness	100

- 4 Select **Shape Filter** and press [Enter].

- 5 Adjust each of the following options as necessary:

- **Shape** to select the shape effect you want from circles, rectangles, or customized shapes.



You can add your images as customized shapes using the Epson Projector Content Manager software. See the *Epson Projector Content Manager Operation Guide* for details.

- **Filter Effect** to select whether to mask inside or outside of the selected shape.
- **Size** to set the shape size.
- **Position** to set the shape position.



When you use a customized shape, you cannot change the **Size** and **Position** settings.

- 6 Select **Color Filter** and press [Enter].

- 7 Adjust each of the following options as necessary:

- **Color Filter** to select the color.
- **Custom** to set a customized color by adjusting **Red**, **Green**, and **Blue** individually.

- 8 Select **Lightness** to set the brightness level.

- 9 When you are finished, press [Menu] to exit the menus.

Content Playback Mode Restrictions

Operating restrictions

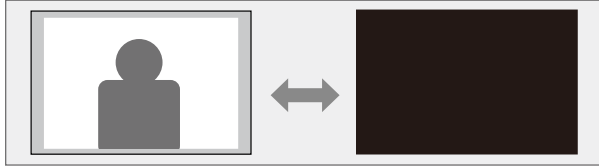
The following operations cannot be performed in Content Playback mode.

- Changing the **Color Temp.** setting in the **Image** menu (when **Warm White** or **Cool White** is selected as **Color Filter**)
- Changing the **Screen Type** setting in the **Installation** menu
- Changing the **No-signal Screen** setting in the **Display** menu
- Changing the **Log Save Destination** setting in the **Management** menu
- Detecting the input signal automatically
- Changing **Remote Password** in the **Network Settings** menu
- PC Free

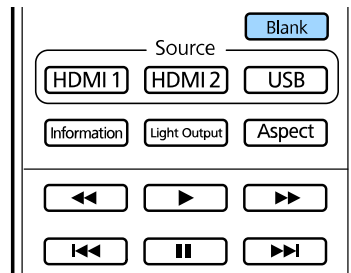
► Related Links

- "Image Quality Settings - Image Menu" [p.120](#)
- "Setting the Screen Type" [p.47](#)
- "Network Menu - Network Settings Menu" [p.131](#)
- "Projecting a PC Free Presentation" [p.82](#)

You can temporarily shut off the projected image and output sound only.



- 1** Press the [Blank] button on the remote control to temporarily shut off projection. Note that sound is output.



- 2** To turn the image back on, press the [Blank] button again.



Any video action continues to run, however, so you cannot resume projection at the point that you stopped it.

You can save customized settings and then select the saved settings whenever you want to use them.

- 1 Turn on the projector and display an image.
- 2 Press the [Menu] button on the remote control, select the **Memory** menu, and press [Enter].

Frequently Used Items	Network Settings
Image	Reset Network Settings
Signal I/O	Memory
Installation	Save Memory
Display	Load Memory
Operation	Rename Memory
Management	Erase Memory
Network	Reset Memory Settings
Memory	ECO
ECO	Light Source Mode Normal
Initial/All Settings	Sleep Mode On ^
	Sleep Mode Timer 10 min.
	Standby Mode Communication On
	Initial/All Settings
	Reset All
	Firmware Update
	Export Batch Settings
	Import Batch Settings

- 3 Select one of the following options:
 - **Save Memory** lets you save your current settings to memory (10 memories with different names are available).



- You can save the following settings:
 - **Image** menu settings for each color mode
 - **Video Range** in the **Signal I/O** menu
 - **Light Source Mode** and **Brightness Level** in the **Operation** menu
- A memory name that has already been used is indicated by a blue mark. Saving over a previously saved memory overwrites the settings with your current settings.

- **Load Memory** lets you overwrite your current settings with saved settings.
- **Rename Memory** lets you rename a saved memory.
- **Erase Memory** lets you erase the selected memory settings.

- 4 Press [Menu] or [Esc] to exit the menus.



- The saved Color Mode is displayed on the right of the memory name.
- To delete all saved memories, select **Reset Memory Settings**.

▶▶ Related Links

- "Image Quality Settings - Image Menu" [p.120](#)
- "Input Signal Settings - Signal I/O Menu" [p.122](#)
- "Projector Feature Settings - Operation Menu" [p.127](#)

You can secure your projector to deter theft or prevent unintended use by setting up the following security features:

- Button lock security to block operation of the projector using the buttons on the control panel.

This is useful at events or shows when you want to deactivate all buttons during projection or at schools when you want to limit button operation.

- Security cabling to physically secure the projector in place.

► Related Links

- "Locking the Projector's Buttons" [p.95](#)
- "Installing a Security Cable" [p.96](#)
- "Secure HTTP" [p.96](#)

Locking the Projector's Buttons

You can lock the buttons on the projector to prevent anyone from using the projector.

- 1** Press the [Menu] button, select the **Management** menu, and press [Enter].



Frequently Used Items	Management	
Image	User Button	Light Source Mode
Signal I/O	Child Lock	Off
Installation	Control Panel Lock	Off
Display	4K Enhancement	On
Operation	Color Uniformity	
Management	Refresh Mode	
Network	Date & Time	
Memory	Schedule Settings	
ECO	Log Save Destination	USB and Internal Memory
Initial/All Settings	Batch Setup Range	
	Language	English
	Information	
	Display Status	
	Display Logs	
	Reset Management Settings	
	Network	
	Wired LAN Info.	

- 2** Select one of these lock types and press [Enter]:

- To lock the projector's power button, select **Child Lock**.

To turn the projector on, you must press the power button for longer than three seconds.



Child Lock does not prevent the projector from turning on when the power cord is connected if **Direct Power On** is set to **On** in the projector's **Operation** menu.

- To lock all buttons on the projector, select **Control Panel Lock > Full Lock**.



You can use the remote control to control the projector even when the buttons on the projector are locked.

- To lock all buttons on the projector except the power button, select **Control Panel Lock > Except for Power**.

3 If you see a confirmation prompt, select **Yes** and press [Enter]. The **Control Panel Lock** setting is applied.

4 Restart the projector to apply the **Child Lock** setting.

▶ Related Links

- "Unlocking the Projector's Buttons" [p.96](#)
- "Projector Feature Settings - Operation Menu" [p.127](#)
- "Projector Administration Settings - Management Menu" [p.129](#)

Unlocking the Projector's Buttons

If the projector's buttons have been locked, do one of the following to unlock them.

- Set **Child Lock** to **Off** in the projector's **Management** menu.
- Set **Control Panel Lock** to **Off** in the projector's **Management** menu.



You can also release **Control Panel Lock** by holding down the [Enter] button on the control panel for seven seconds. A message is displayed and the lock is released.

▶ Related Links

- "Projector Administration Settings - Management Menu" [p.129](#)

Installing a Security Cable

You can install the security cable on the projector to deter theft.

Use the security slot on the projector to attach a Kensington Microsaver Security system.



For more details on the Microsaver Security System, visit the Kensington Web site.

<https://www.kensington.com/>

Secure HTTP

You can use the HTTPS protocol to increase security between the projector and a Web browser communicating with it. To do this, you create a server certificate, install it on the projector, and turn on the **Secure HTTP** setting in the projector menus to verify the reliability of the Web browser.

Even if you do not install a server certificate, the projector automatically creates a self-signed certificate and allows communication. However, because the self-signed certificate cannot verify reliability from a Web browser, you see a warning about the server's reliability when you access the projector from a Web browser. This warning does not prevent communication.

▶ Related Links

- "Importing a Web Server Certificate Using the Menus" [p.96](#)
- "Supported Web Server Certificates" [p.97](#)

Importing a Web Server Certificate Using the Menus

You can create your Web server certificate and import it using the projector menus and an external storage device.



- You can use a USB flash drive as an external storage device for this model.
- You can also register the digital certificates from your Web browser. However, be sure to register just once or the certificate may not install correctly.

- 1** Make sure your digital certificate file is compatible with projector registration and directly placed on the USB storage device.
- 2** Press the [Menu] button, select the **Network** menu, and press [Enter].
- 3** Select **Network Settings** and press [Enter].
- 4** Select the **Projector Control** menu and press [Enter].

[Projector Control]		Return
Command Communication	Protected	
Web API Settings		
Basic Control	Off	▼
PJLink	Off	▼
AMX Device Discovery	Off	
Crestron Connected	Off	▼
Crestron XiO Cloud	Off	
Control4 SDDP	Off	
Secure HTTP	On	▲
Web Server Certificate		

- 5** Set the **Secure HTTP** setting to **On**.

- 6** Select **Web Server Certificate** and press [Enter].
- 7** Select **Register** and press [Enter].
- 8** Follow the on-screen instructions to connect a USB storage device to the projector's USB-A port.
- 9** Press [Enter] to display the certificate list.
- 10** Select the certificate to import using the displayed list.
A message is displayed prompting you to enter the password for the certificate.
- 11** Enter a password and press [Enter].
The certificate is imported and a completion message appears.

Supported Web Server Certificates

You can register these types of digital certificates.

Web Server Certificate (Secure HTTP)

Specification	Description
Format	PKCS#12
Extension	PFX, P12
Encryption	RSA
Hashes	MD5/SHA-1/SHA-256/SHA-384/SHA-512
Key length	512/1024/2048/4096 bit
Common name	Network host name
Organization	Optional

Specification	Description
Password	Up to 64 alphanumeric characters; required

Monitoring and Controlling the Projector

Check these sections to monitor and control the projector over a network.

► Related Links

- "Controlling a Networked Projector Using a Web Browser" [p.100](#)
- "Registering Digital Certificates from a Web Browser" [p.108](#)
- "Using ESC/VP21 Commands " [p.109](#)
- "PJLink Support" [p.110](#)
- "Crestron Connected Support" [p.111](#)
- "Web API" [p.113](#)
- "Setting Projector Event Schedules" [p.114](#)

Once you have connected your projector to your network, you can select projector settings and control projection using a compatible Web browser. This lets you access the projector remotely.

In Content Playback mode, you can also edit playlists.

Attention

In Content Playback mode, do not remove the USB flash drive from the projector or disconnect the projector's power cord in the following situations. Data saved on the USB flash drive may be damaged.

- When the **Playlists** screen is displayed
- When the **USB Memory Device** screen is displayed

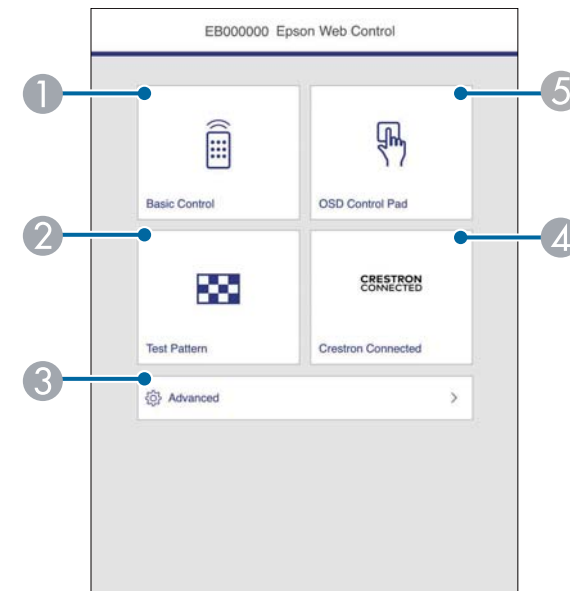


- Make sure the computer and projector are connected to the network.
- You can use the following Web browsers.
 - Microsoft Edge (Windows)
 - Safari (Mac, iOS)
 - Chrome (Android)
- While using the Web browser, do not connect using a proxy server. You cannot select all of the projector menu settings or control all projector functions using a Web browser.
- If you set the **Standby Mode** setting to **Communication On** in the projector's **Operation** menu, you can use a Web browser to select settings and control projection even if the projector is in standby mode (when the power is off).

- 1** Make sure the projector is turned on.
- 2** Make sure your computer or device is connected to the same network as the projector.
- 3** Start your Web browser on the computer or device.

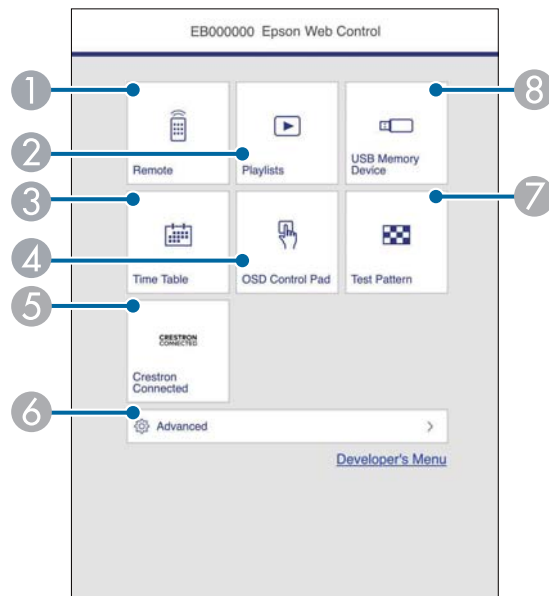
- 4** Go to the **Epson Web Control** screen by entering the projector's IP address into the browser's address box. When entering an IPv6 address, wrap the address with [and]. You see the **Epson Web Control** screen.

- In normal mode



- 1** Controls the projector remotely.
- 2** Displays a test pattern.
- 3** Sets detailed projector settings.
- 4** Opens the Crestron Connected and Crestron XiO Cloud operation windows.
- 5** Operates the projector's menu settings with your finger or mouse.

- In Content Playback mode



- ① Controls the projector remotely.
- ② Selects the playlist you want to play, and allows you to create or edit playlists.
- ③ Displays the **Time Table** screen.
- ④ Operates the projector's menu settings with your finger or mouse.
- ⑤ Opens the Crestron Connected and Crestron XiO Cloud operation windows.
- ⑥ Sets detailed projector settings.
- ⑦ Displays a test pattern.
- ⑧ Registers or deletes the data for a playlist on the USB flash drive.

- 5** Select the option corresponding to the projector function you want to control.



You may need to log in to access some of the options on the **Epson Web Control** screen. Set the following passwords first.

- To access the **Basic Control** option, you need to log in using **EPSONREMOTE** as the user name and your **Remote Password**. (No password is set by default.)

Set **Basic Control** to **On** in the projector's **Network** menu, and then set the password.

☛ **Network > Network Settings > Projector Control > Basic Control**

- To access other options and save settings, you need to log in using **EPSONWEB** as the user name and your **Web Control Password**. (No password is set by default.)

Set the password in the projector's **Network** menu.

☛ **Network > Network Settings > Web Control Password**

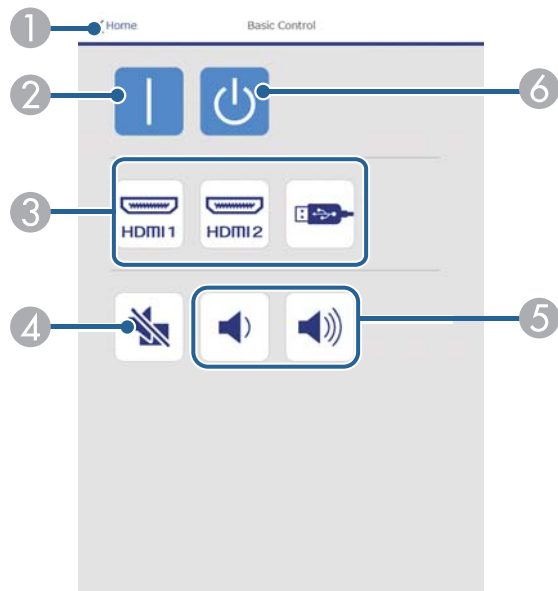
▶▶ Related Links

- "Web Control Options" [p.101](#)

Web Control Options

Basic Control

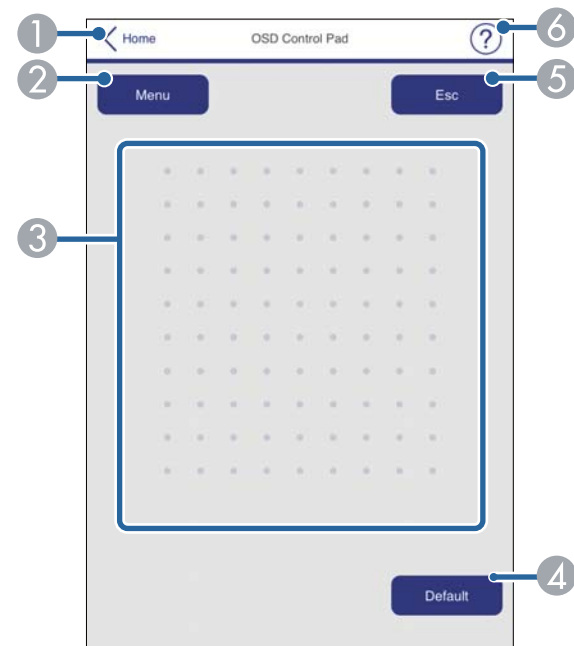
Options on the **Basic Control** screen allow you to select the input source and control the projector.



- ① Returns to the **Epson Web Control** screen.
- ② Turns the projector on.
- ③ Selects the input source. (The available sources vary depending on your projector model.)
- ④ Turns the video on or off temporarily. If external speakers are connected, the audio will continue to play.
- ⑤ Adjusts the volume of any external speakers.
- ⑥ Turns the projector off.

OSD Control Pad

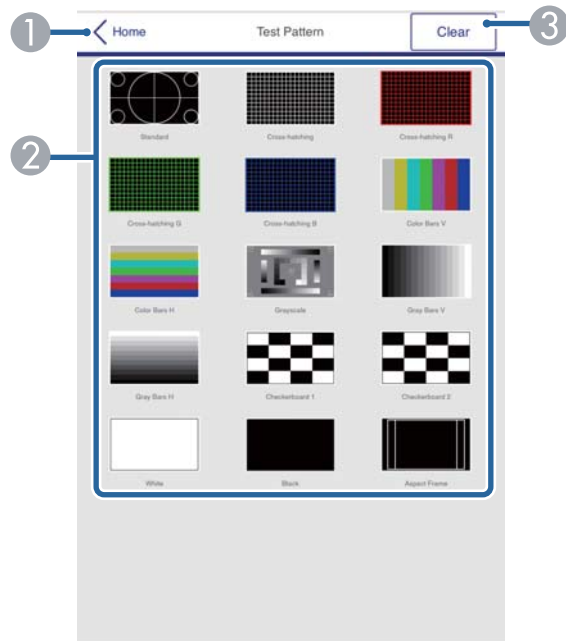
Options on the **OSD Control Pad** screen allow you to display the projector's setting menus and select them moving your finger or mouse on the pad.



- ① Returns to the **Epson Web Control** screen.
- ② Displays the projector's setting menus.
- ③ Use your finger or mouse to navigate the menus.
- ④ Resets the selected setting to its default value.
- ⑤ Returns to the previous menu.
- ⑥ Displays help topics.

Test Pattern

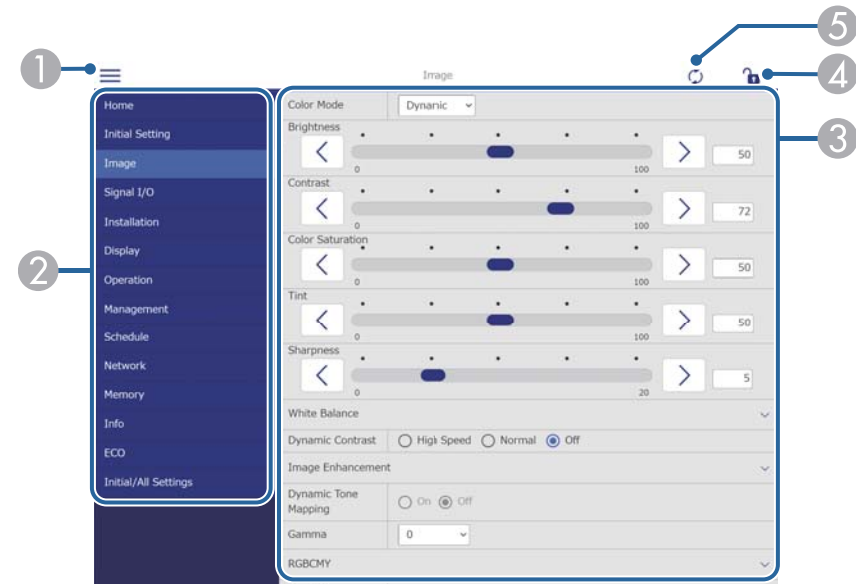
The **Test Pattern** screen displays the available test patterns and allow you to select to project it.



- 1 Returns to the **Epson Web Control** screen.
- 2 Displays available test patterns; select to project a test pattern. (The available test patterns vary depending on your projector model.)
- 3 Turns off test pattern display.

Advanced

The **Advanced** screen allow you to select the projector's settings.



- 1 Opens the menus.
- 2 Displays the menu name you selected.
- 3 Specifies the projector settings. (The available settings vary depending on your projector model.)
- 4 Locks/unlocks the projector settings.
Locking prevents accidental changes to the Epson Web Control settings.
- 5 Updates the projector settings.



You cannot change the following settings using Epson Web Control.

- HDMI Link
- Fixed Installation
- Setting Plate Installation Guide
- Image Shift
- Install Again
- Content Playback
- Language
- Display Status
- Reset Network Settings
- Firmware Update

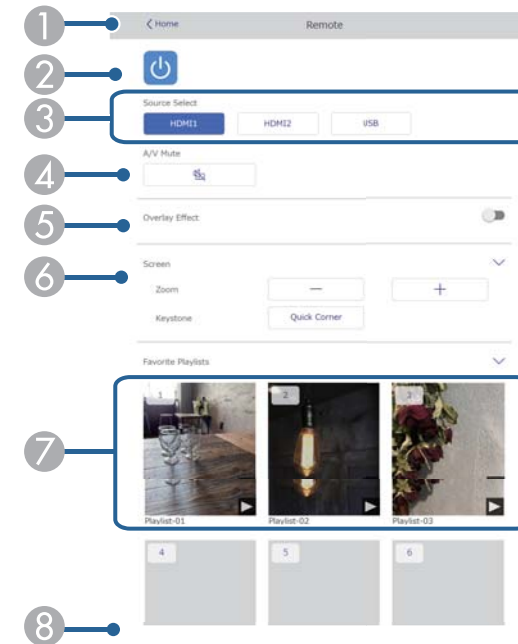


You can select the following settings only with Epson Web Control.

- Initial Setting
- Monitor Password (up to 16 alphanumeric characters)
When performing command communication for the first time, you must set a password in the web browser.
- IPv6 Settings (manual)
- HTTP port (port number used for Web Control except for 80 [default], 843, 3620, 3621, 3625, 3629, 4352, 4649, 5357, 10000, 10001, 41794)
- Display Logs

Remote (only in Content Playback mode)

Options on the **Remote** screen allow you to select the input source, control the projector, and start projecting playlists.



- 1 Returns to the **Epson Web Control** screen.
- 2 Turns the projector on or off.
- 3 Selects the input source. (The available sources vary depending on your projector model.)
- 4 Turns the video on or off temporarily.
- 5 **Overlay Effect** option is displayed when the current source is anything other than USB.
Turns **Overlay Effect** on or off to add color and shape effects to a playlist.
When turning on, the **Effects** screen is displayed. You can add predefined color and shape effect filters to a playlist. You can also create a customized effect.
- 6 Specifies the screen settings.
- 7 Displays your favorite playlists. Select a playlist to start projecting.

- 8 Displays information for the playlist being projected.

The icons indicate the playlist settings.

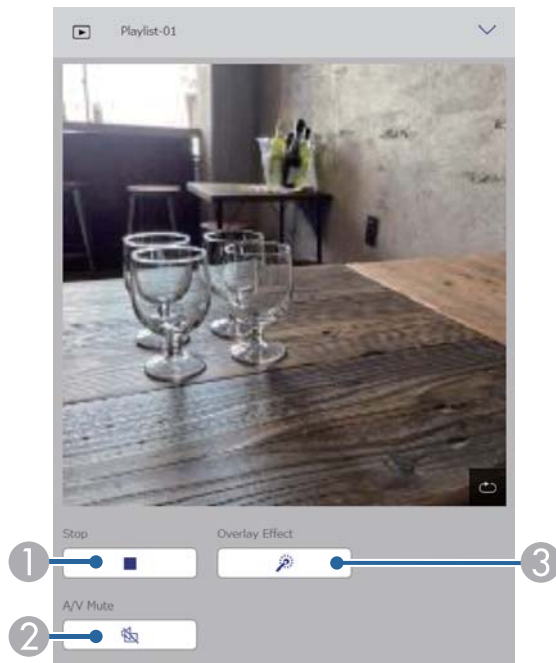
: Overlay effects have been applied

: Repeat playback has been applied

: Length of the playlist

Select the arrow at the bottom-right to display the following screen.

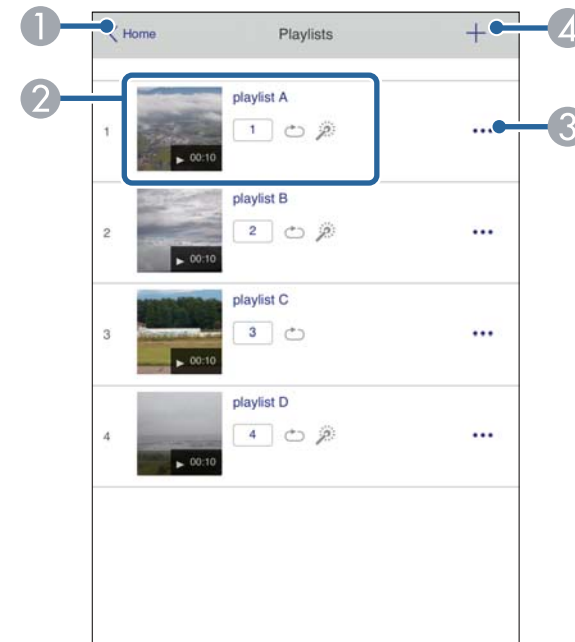
Screen displayed while projecting playlist (only in Content Playback mode)



- 1 Stops projection.
- 2 Turns the video on or off temporarily.
- 3 Opens the **Effects** screen. You can select preset effects or select individual brightness, color, and shape effect filters.

Playlist (only in Content Playback mode)

Options on the **Playlist** screen allow you to select the playlist you want to play from the list, and create or edit playlists.



- 1 Returns to the **Epson Web Control** screen.
- 2 Starts projecting the playlist.
The icons indicate the playlist settings.
 : Number assigned to your favorite playlists
 : Repeat playback has been applied
 : Overlay effects have been applied
- 3 Opens the menu that allows you to edit, copy, register to your favorites, or delete the playlist.
When you select **Edit** or **Duplicate**, the **Edit Playlist** screen is displayed.
- 4 Opens the **New Playlist** screen where you can create a new playlist.

New Playlist/Edit Playlist screen (only in Content Playback mode)



- 1 Edits the playlist name.
- 2 Selects whether to enable repeat playback or not.
- 3 Registers the playlist as favorites.
When registering favorites, you can quickly start playback of the favorite playlist using the **Remote** screen or the remote control.
- 4 Displays the images or movies you have added to the playlist. The playlist plays the images or movies in order.
- 5 Adds images or movies to the playlist.
- 6 Deletes images or movies from the list.
- 7 Opens the **Switch Image** screen.
You can specify the time interval to switch to the next image file. You can also select a transition effect.

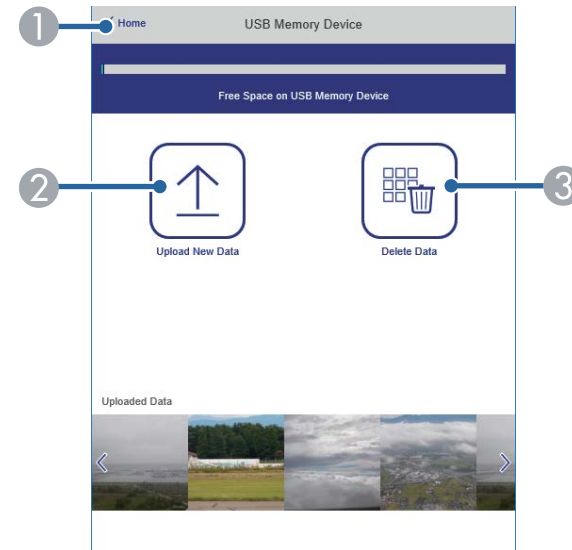
- 8 Opens the **Effects** screen.
You can add predefined color and shape effect filters to a playlist. You can also create a customized effect.
- 9 Previews the playlist.

USB Memory Device (only in Content Playback mode)

Options on the **USB Memory Device** screen allow you to upload data for a playlist to the USB flash drive or delete the data on the USB flash drive.



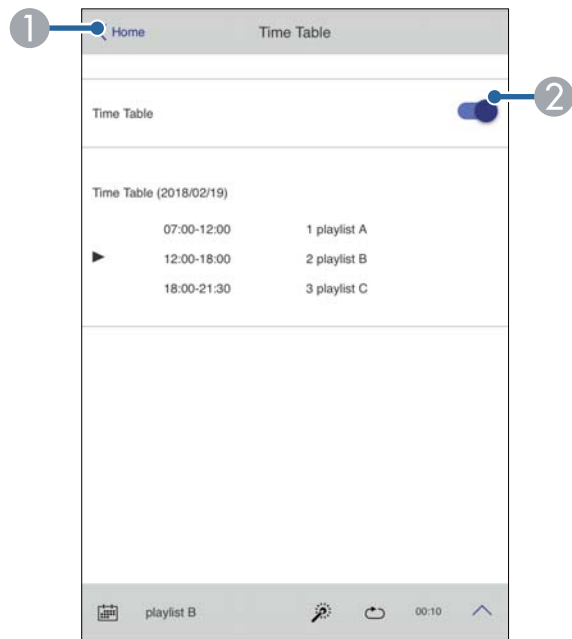
You can upload .avi, .jpeg (.jpg), .png, .bmp, or .gif files.
If you want to add the .mp4 and .mov files to the playlist, use the Epson Projector Content Manager software or the Epson Creative Projection app.



- 1 Returns to the **Epson Web Control** screen.
- 2 Copies images or movies you want to add to playlists to a USB flash drive.
- 3 Deletes images or movies on the USB flash drive.

Time Table (only in Content Playback mode)

Options on the **Time Table** screen allow you to enable or disable the specified time table features.



- ① Returns to the **Epson Web Control** screen.
- ② Turns the time table on or off.



You can specify when each playlist starts and finishes using the time table feature in the Epson Projector Content Manager software.

For details, see the *Epson Projector Content Manager Operation Guide*.

You can register the digital certificates on the projector to provide security for your presentation files.




You can also register the digital certificates in the projector's **Network** menu. However, be sure to register just once or the certificate may not install correctly.

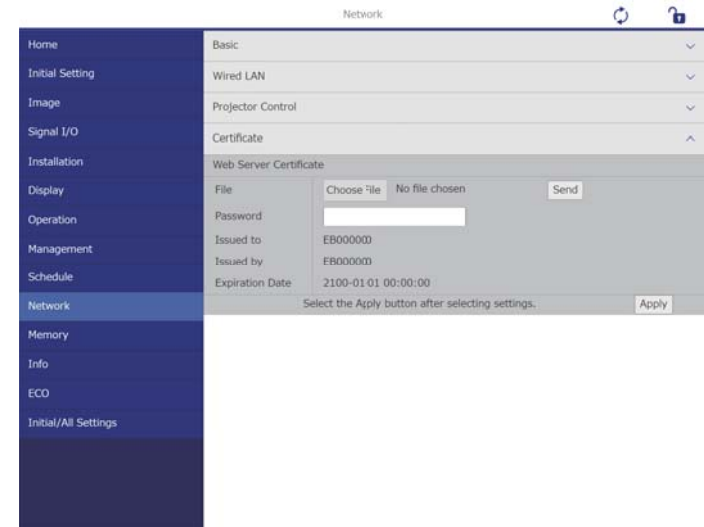
☛ **Network > Network Settings > Projector Control > Secure HTTP > Web Server Certificate**

- 1** Make sure your digital certificate file is compatible with projector registration.
- 2** Make sure the projector is turned on.
- 3** Start your Web browser on a computer or device connected to the network.
- 4** Go to the Epson Web Control screen by entering the projector's IP address into the browser's address box.
- 5** Select **Advanced**.



- You may need to log in before the Advanced screen is displayed. If you see a log in window, enter your user name and password. (The user name is **EPSONWEB**. No password is set by default. If no **Web Control Password** has been set, a browser error screen is displayed. Set the password in the **Network Settings** menu.)
- You can change the password in the projector's **Network** menu.
☛ **Network > Network Settings > Web Control Password**

- 6** Select  to open the menus, select **Network**, and select **Certificate**.



- 7** Select the certificate file you want to register.
- 8** Enter the password in the **Password** box, and then click **Send**.
- 9** When you finish registering the certificate, click **Apply** to finalize your changes and complete the registration.

You can control the projector from an external device using ESC/VP21.

► **Related Links**

- "ESC/VP21 Command List" [p.109](#)
- "Cable Layouts" [p.109](#)

ESC/VP21 Command List

When the power ON command is transmitted to the projector, the power turns on and it enters warm-up mode. When the projector's power has turned on, a colon ":" (3Ah) is returned.

When a command is input, the projector executes the command and returns a ":", and then accepts the next command.

If the command being processed terminates abnormally, an error message is output and a ":" is returned.

You can check the available commands in the projector's *Specifications*.

► **Related Links**

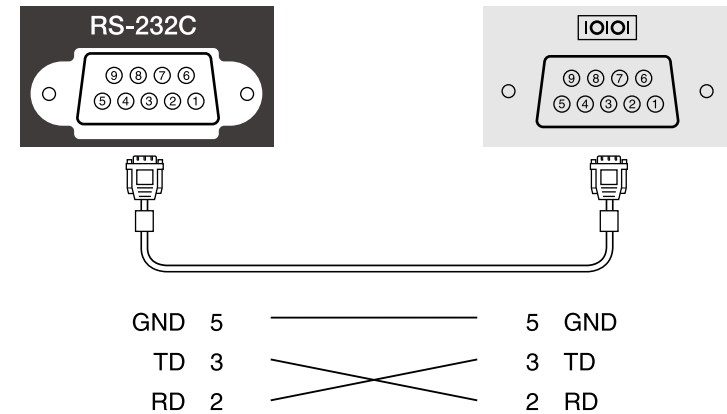
- "Getting the Latest Version of the Documents" [p.8](#)

Cable Layouts

Serial connection

- Connector shape: D-Sub 9-pin (male)
- Projector input port name: RS-232C
- Cable type: Crossover (null modem) cable

In the following illustration, the projector side is shown on the left, and the computer side on the right:



Signal name	Function
GND	Signal wire ground
TD	Transmit data
RD	Receive data

Communications protocol

- Default baud rate setting: 9600 bps
- Data length: 8 bit
- Parity: None
- Stop-bit: 1 bit
- Flow control: None

PJLink was established by the JBMIA (Japan Business Machine and Information System Industries Association) as a standard protocol for controlling network-compatible projector's as part of their efforts to standardize projector control protocols.

The projector complies with the PJLink Class2 standard established by the JBMIA.

The port number used for the PJLink search function is 4352 (UDP).

You need to activate **PJLink** and set the **PJLink Password** before you can use PJLink.

☛ Network > Network Settings > Projector Control > PJLink

It complies with all commands except for the following commands defined by PJLink Class2, and agreement was confirmed by the PJLink standard adaptability verification.

<http://pjlink.jbmia.or.jp/english/>

- Non-compatible commands

You can check the non-compatible commands in the projector's *Specifications*.

- Input ports and corresponding input source number

Input port name	Input source number
HDMI1	32
HDMI2	33
USB	41

- Manufacturer name displayed for "Manufacture name information query"
EPSON
- Model name displayed for "Product name information query"
EPSON 815E/810E

▶ Related Links

- "Getting the Latest Version of the Documents" [p.8](#)

If you are using the Crestron Connected network monitoring and control system, you can set up your projector for use on the system. Crestron Connected lets you control and monitor your projector using a Web browser.



If you set the **Standby Mode** setting to **Communication On** in the projector's **Operation** menu, you can control the projector even if the projector is in standby mode (when the power is off).

For additional information on Crestron Connected, visit the Crestron Web site.

<https://www.crestron.com/>

To monitor devices in the system, you can use Crestron RoomView Express or Crestron Fusion provided by Crestron. You can communicate with the help desk and send emergency messages. See the following Web site for details.

<http://www.crestron.com/getroomview>

To monitor or control your projector and other various devices over a network, you can use Crestron XiO Cloud. You can manage multiple devices from one location. See the following Web site for details.

<https://www.crestron.com/Products/Featured-Solutions/XiO-Cloud>

This manual describes how to perform operations on your computer using a Web browser.

► **Related Links**

- "Setting Up Crestron Connected Support" [p.111](#)

Setting Up Crestron Connected Support

To set up your projector for monitoring and control using a Crestron Connected system, make sure your computer and projector are connected to the network.

- 1 Press the [Menu] button, select the **Network** menu, and press [Enter].
- 2 Select **Network Settings** and press [Enter].

- 3 Select the **Projector Control** menu and press [Enter].

[Projector Control]		Return
Command Communication	Protected	
Web API Settings		
Basic Control	Off	▼
PJLink	Off	▼
AMX Device Discovery	Off	
Crestron Connected	Off	▼
Crestron XiO Cloud	Off	
Control4 SDDP	Off	
Secure HTTP	On	▲
Web Server Certificate		

- 4 Set the **Crestron Connected** setting to **On** to allow the projector to be detected.



- If no password has been set, a screen prompting you to set a password is displayed before you can set **Crestron Connected** to **On**. Follow the on-screen instructions to set the password.
- To enable the Crestron XiO Cloud service, set **Crestron XiO Cloud** to **On**.

- 5 When you finish selecting settings, go back to the **Network Settings** screen, select **Set**, and follow the on-screen instructions to save your settings and exit the menus.

- 6 Turn off the projector, and then turn it on again to enable the setting.

- 7** Start your Web browser on a computer or device connected to the network.
- 8** Go to the Epson Web Control screen by entering the projector's IP address into the browser's address box.
- 9** Select the **Crestron Connected** settings. See the Crestron Web site for details.

You can use Web API to operate the projector in Content Playback mode. See the *Web API Specifications for Projectors* for details.



- You can authenticate Web API communications using API authentication (Digest authentication).
- The user name for API authentication is **EPSONWEB**; use the password that is set for **Web Control Password**.
 ➔ **Network > Network Settings > Web Control Password**

▶▶ **Related Links**

- "Enabling Web API" [p.113](#)

Enabling Web API

You can enable Web API using the projector's menu.

- 1** Press the [Menu] button, select the **Network** menu, and press [Enter].
- 2** Select **Network Settings** and press [Enter].

- 3** Select **Projector Control** and press [Enter].

[Projector Control]		Return
Command Communication	Protected	
Web API Settings		
Basic Control	Off	∨
PJLink	Off	∨
AMX Device Discovery	Off	
Crestron Connected	Off	∨
Crestron XiO Cloud	Off	
Control4 SDDP	Off	
Secure HTTP	On	∧
Web Server Certificate		

- 4** Select **Web API Settings**.
- 5** Set **Web API** to **On**.

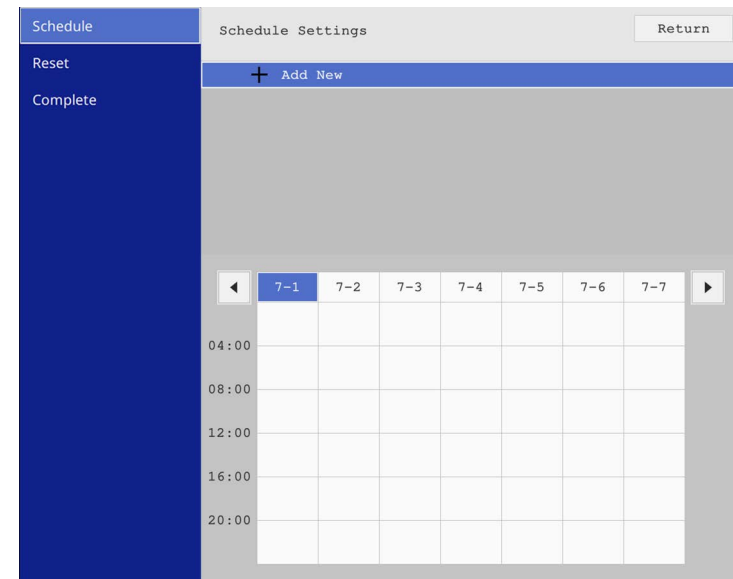
You can schedule up to 30 events to occur automatically on your projector, such as turning the projector on or off or switching the input source. The projector performs the selected events on the specified date and time in the schedule you set up.

Warning

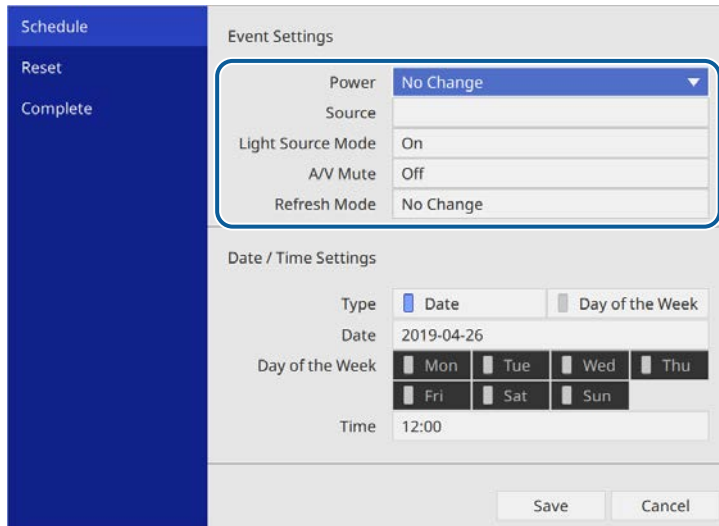
Do not place flammable objects in front of the lens. If you schedule the projector to turn on automatically, flammable objects in front of the lens could catch on a fire.

- 1** Set the date and time in the **Date & Time** menu in the projector's **Management** menu.
- 2** Press the [Menu] button, select the **Management** menu, and press [Enter].
- 3** Select **Schedule Settings** and press [Enter].
- 4** Select **Schedule** and press [Enter].

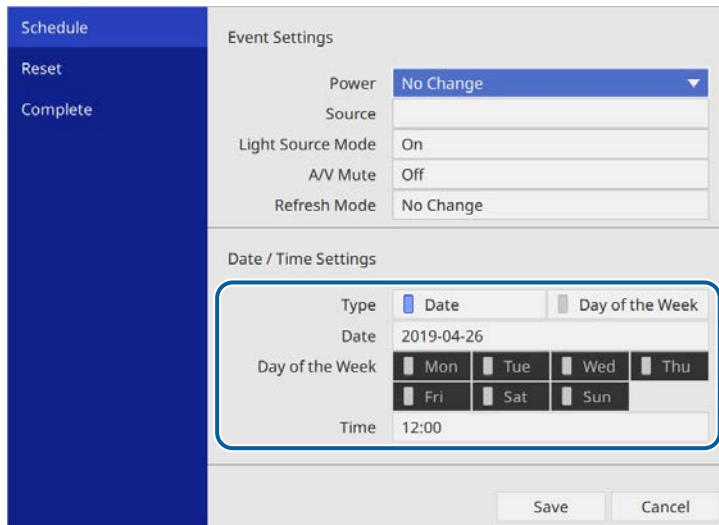
- 5** Select **Add New** and press [Enter].



6 Select the event details you want to perform.

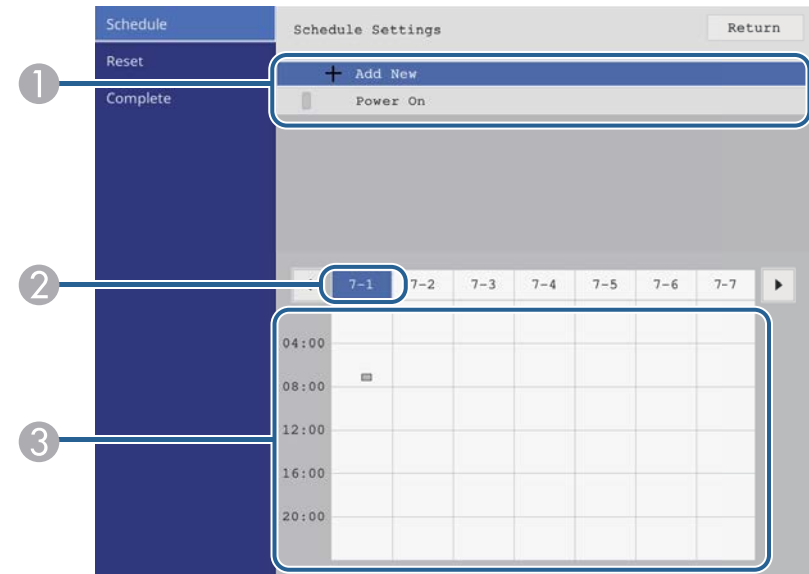


7 Select the date and time at which you want the event to occur.



8 Select **Save** and press [Enter].

The scheduled events are displayed on the screen with icons indicating the event status.



- ① : valid schedule
- : regular schedule
- : invalid schedule
- ② The date currently selected (highlighted)
- ③ : one time schedule
- : regular schedule
- : standby schedule (turns communication on or off during standby)
- : invalid schedule

9 To edit a scheduled event, select the schedule and press [Enter].

- 10** Select an option from the menu displayed.
- **On** or **Off** lets you enable or disable the selected event.
 - **Edit** lets you change the event details or date and time.
 - **Clear** lets you remove the scheduled event from a list.
 - **Add New** lets you add a new event on the same day that already has an event scheduled.

- 11** Select **Complete** to close the **Schedule Settings**.

To delete all scheduled events, select **Reset**.

Adjusting the Menu Settings

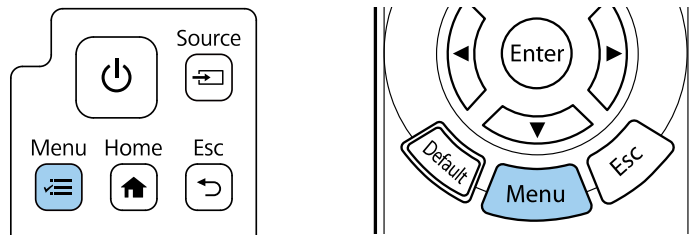
Follow the instructions in these sections to access the projector menu system and change projector settings.

► Related Links

- ["Using the Projector's Menus" p.118](#)
- ["Using the Displayed Keyboard" p.119](#)
- ["Image Quality Settings - Image Menu" p.120](#)
- ["Input Signal Settings - Signal I/O Menu" p.122](#)
- ["Projector Installation Settings - Installation Menu" p.124](#)
- ["Projector Display Settings - Display Menu" p.126](#)
- ["Projector Feature Settings - Operation Menu" p.127](#)
- ["Projector Administration Settings - Management Menu" p.129](#)
- ["Projector Network Settings - Network Menu" p.131](#)
- ["Image Quality Memory Settings - Memory Menu" p.134](#)
- ["Projector Setup Settings - ECO Menu" p.135](#)
- ["Projector Initial Settings and Reset Options - Initial/All Settings Menu" p.136](#)
- ["Copying Menu Settings Between Projectors \(Batch Setup\)" p.137](#)

You can use the projector's menus to adjust the settings that control how your projector works. The projector displays the menus on the screen.


- 1 Press the [Menu] button on the control panel or remote control.





You see the menu screen.


Frequently Used Items	Image	
Image	Color Mode	Dynamic
Signal I/O	Brightness	50
Installation	Contrast	50
Display	Color Saturation	50
Operation	Tint	50
Management	Sharpness	5
Network	White Balance	
Memory	Frame Interpolation	Off
ECO	Dynamic Contrast	Off
Initial/All Settings	Image Enhancement	
	Scene Adaptive Gamma	0
	Gamma	0
	RGBCMY	
	Reset to Defaults	
	Source	HDMI1
	Aspect	Auto
	Reset to Defaults	
	Reset Image Settings	

- 2 Press the up or down arrow buttons to move through the menus listed on the left. The settings for each menu are displayed on the right.

 The available settings depend on the current input source.

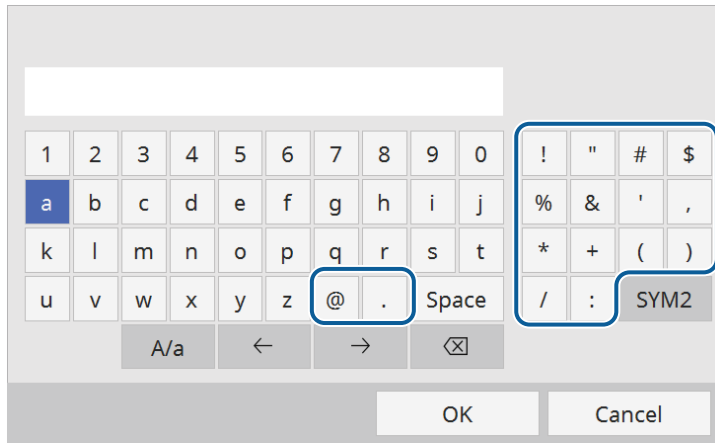
- 3 To change settings in the displayed menu, press [Enter].
- 4 Press the up or down arrow button to move through the settings.
- 5 To return all the menu settings to their default values, select **Initial/All Settings**.
- 6 When you finish changing settings on a menu, press [Esc].
- 7 Press [Menu] or [Esc] to exit the menus.

 The  arrow indicates that the menu contains sub items. When you turn on a menu setting or select a specific value for it, the menu system displays the sub items.



You can use the displayed keyboard to enter numbers and characters.

- 1 Use the arrow buttons on the control panel or remote control to highlight the number or character you want to enter and press the [Enter] button.



Each time you select the A/a key, the characters change between upper case and lower case. Each time you select the SYM1/2 key, the symbols enclosed by the frame change.

- 2 After entering the text, select OK on the keyboard to confirm your entries. Select Cancel to cancel entering text.



You can select projector settings and control projection over a network using a Web browser from your computer.
Some symbols cannot be entered using the displayed keyboard. Use your Web browser to enter the text.

► **Related Links**

- "Available Text Using the Displayed Keyboard" [p.119](#)

Available Text Using the Displayed Keyboard

You can enter the following text when using the displayed keyboard.

Text type	Details
Numbers	0123456789
Alphabet	ABCDEFGHIJKLMNOPQRSTUVWXYZ abcdefghijklmnopqrstuvwxyz
Symbols	!"#\$%&'()*+,-./:;<=>?@[\\]^_`{ }~

Settings on the **Image** menu let you adjust the quality of your image. The available settings depend on the currently selected color mode and input source.

Frequently Used Items	Image	
Image	Color Mode	Dynamic
Signal I/O	Brightness	50
Installation	Contrast	50
Display	Color Saturation	50
Operation	Tint	50
Management	Sharpness	5
Network	White Balance	
Memory	Frame Interpolation	Off
ECO	Dynamic Contrast	Off
Initial/All Settings	Image Enhancement	
	Scene Adaptive Gamma	0
	Gamma	0
	RGBCMY	
	Reset to Defaults	
	Source	HDMI1
	Aspect	Auto
	Reset to Defaults	
	Reset Image Settings	

Setting	Options	Description
Color Mode	See the list of available color modes	Adjusts the vividness of image colors for various image types and environments.
Brightness	Various levels available	Lightens or darkens the overall image.
Contrast	Various levels available	Adjusts the difference between light and dark areas of the image.
Color Saturation	Various levels available	Adjusts the intensity of the image colors.
Tint	Various levels available	Adjusts the balance of green to magenta tones in the image.

Setting	Options	Description
Sharpness	Various levels available	Adjusts the sharpness or softness of image details.
White Balance	Color Temp.	Sets the color temperature according to the color mode you selected. Higher values tint the image blue and lower values tint the image red. Setting is only displayed when Color Filter is not set to Warm White or Cool White . ☛ Operation > Content Playback > Overlay Effect > Color Filter
	G-M Correction	Makes fine adjustments to the color tone. Higher values tint the image green and lower values tint the image red.
	Custom	Adjusts the individual R (red), G (green), and B (blue) components of the offset and gain.
	Grayscale	Adjusts the red, green, blue, and brightness for the selected adjustment level.
Frame Interpolation	Off Low Normal High	Adjusts the smoothness of image movement. Setting is only displayed in the following cases: <ul style="list-style-type: none"> • The current source is HDMI. • Image Processing is set to Fine. ☛ Signal I/O > Image Processing
Dynamic Contrast	High Speed Normal Off	Adjusts the projected luminance based on the image brightness.
Image Enhancement	Image Preset Mode	Sets the Image Enhancement options as a batch using preset values.

Setting	Options	Description
	Noise Reduction	Reduces flickering in images. This setting is displayed only when Image Processing is set to Fine . ☛ Signal I/O > Image Processing
	MPEG Noise Reduction	Reduces the noise or artifacts seen in MPEG video. This setting is only displayed when Image Processing is set to Fine . ☛ Signal I/O > Image Processing
	Super-resolution	Reduces blurring when projecting low resolution images.
	Auto Contrast Enhancement	Creates a clearer and sharper image by automatically adjusting the contrast of the projected image.
	Reset	Resets all adjustment values on the Image Enhancement setting to their default settings.
Dynamic Tone Mapping	On Off	Set to On to optimize the PQ (Perceptual Quantizer) curve settings based on the brightness of the projected HDR content. Improves visibility of dark and bright images. This setting is displayed only when Dynamic Range is set to Auto and Signal Status is set to HDR10. ☛ Signal I/O > Dynamic Range > Signal Status
Scene Adaptive Gamma	Various levels available	Adjusts the coloring according to the scene, and obtains a more vivid image. Select a large number to enhance contrast.

Setting	Options	Description
Gamma	-2 to 2 Custom Reset	Adjusts the coloring by selecting one of the gamma correction values, or referring to a gamma graph.
RGBCMY	Various levels available	Adjusts the hue, saturation, and brightness of each color R (red), G (green), B (blue), C (cyan), M (magenta), Y (yellow) individually.
Reset to Defaults	—	Resets all settings for the current color mode.
Source	—	Displays settings saved for each input source. To change settings for an input source, make sure the source is connected and select that source.
Aspect	See the list of available aspect ratios	Sets the aspect ratio (width-to-height ratio) for the selected input source. This setting is displayed only when the current source is HDMI.
Reset to Defaults	—	Resets all settings for current input source.
Reset Image Settings	—	Resets all adjustment values on the Image menu to their default settings.



The **Brightness** setting does not affect light source brightness. To change the light source brightness, select the **Light Source Brightness Control** setting in the projector's **Operation** menu.

» **Related Links**





- "Adjusting the Image Color" [p.72](#)
- "Available Color Modes" [p.68](#)
- "Available Image Aspect Ratios" [p.66](#)

Normally the projector automatically detects and optimizes the input signal settings. If you need to customize the settings, you can use the **Signal I/O** menu. The available settings depend on the currently selected input source.



Setting	Options	Description
Color Space	Auto BT.709 BT.2020	Sets the conversion system for the color space. This setting is displayed only when the current source is HDMI.
Dynamic Range	Dynamic Range	Changes the range of dark and bright areas in images; choose from Auto (recommended), SDR , HDR10 , or HLG . This setting is displayed only when the current source is HDMI.
	Signal Status	Displays the detected input image signal.
	HDR10 Setting	Changes the PQ (Perceptual Quantizer) curve of the dynamic range using the HDR PQ method. This setting is only displayed when Dynamic Range is set to Auto and the input signal is HDR10.
	HLG Setting	Changes the HLG (Hybrid Log Gamma) curve of the dynamic range using the HDR HLG method. This setting is only displayed when Dynamic Range is set to Auto and Signal Status is HLG , or when Dynamic Range is set to HLG .

Setting	Options	Description
Source	—	Displays settings saved for each input source. To change settings for an input source, make sure the source is connected and select that source.
Signal Format	Video Range	Sets the video range to match the setting of input source. This setting is displayed only when the current source is HDMI.

Setting	Options	Description
Image Processing	Auto (ALLM) Fine Fast	<p>Improves the response speed for images projected at high speed.</p> <p>Setting is only displayed when EDID Mode is set to Up to 4K 60Hz 18Gbps.</p> <ul style="list-style-type: none"> • Fine: improves the response speed for images by selecting Off for Frame Interpolation.  Image > Frame Interpolation • Fast: disables the Frame Interpolation, Noise Reduction, and MPEG Noise Reduction settings.  Image > Frame Interpolation  Image > Image Enhancement > Noise Reduction  Image > Image Enhancement > MPEG Noise Reduction
Reset to Defaults	—	Resets all settings for current input source.
EDID	EDID (HDMI1) EDID (HDMI2)	<p>Describes the display capabilities of your projector. Change this setting as necessary according to the resolution of the image.</p> <p>You can select the EDID settings for individual input sources without changing the input source.</p>

Setting	Options	Description
HDMI IN EQ Level	HDMI1 HDMI2	<p>Adjusts the HDMI input signal level depending on the devices connected to the HDMI port. If there is a lot of interference in the image, or if a problem such as no image being projected occurs, change the setting.</p> <p>You can select the settings for individual input sources without changing the input source.</p>
HDMI Link	Device Connections	<p>Lists the devices connected to the HDMI ports.</p> <p>Setting is only displayed when HDMI Link is set to On.</p>
	HDMI Link	Set to On to enable the HDMI Link features.
	Power On Link	<p>Controls what happens when you turn on the projector or connected device.</p> <ul style="list-style-type: none"> • Bidirectional: automatically turns on the connected device when you turn on the projector, and vice versa. • Device -> PJ: automatically turns on the projector when you turn on the connected device. • PJ -> Device: automatically turns on the connected device when you turn on the projector.
	Power Off Link	Controls whether connected devices are turned off when you turn off the projector.
Reset Signal I/O Settings	—	Resets all adjustment values on the Signal I/O menu to their default settings.

Settings on the **Installation** menu help you set up your projector in your installation environment.



Setting	Options	Description
Fixed Installation	On Off	Set to On if you installed the projector in a fixed location.
Test Pattern	—	Displays a test pattern to assist in focusing and zooming the image and correcting image shape (press the [Esc] button to cancel pattern display).
Setting Plate Installation Guide	—	Displays a guide screen when installing the projector.

Setting	Options	Description
Projection	Front Rear Front/Upside Down Down Rear/Upside Down	Sets the way the projector faces the screen so the image is oriented correctly.
Geometry Correction	Quick Corner	Corrects image shape and alignment using an on-screen display.
	Arc Correction	Corrects the corners and sides of an image projected on a curved surface.
	Point Correction	Divides the projected image into a grid and corrects the distortion by moving the selected point of intersection from side to side and up and down.
	Correct Distortion Using Smartphone	Corrects the distortion of projected images using the Epson Setting Assistant app.
	Fit to Screen Using Smartphone	Corrects the shape and position of images to fit on your screen using the Epson Setting Assistant app.
	Memory	<ul style="list-style-type: none"> • Save Memory: saves the current shape of an image you have adjusted. • Load Memory: loads the settings you made and saved. • Rename Memory: changes the name of the memory settings. • Erase Memory: deletes a saved memory. • Reset Memory: Resets all saved memories.

Setting	Options	Description
Geometry Correction Wizard	—	Guides you step-by-step through correcting the image shape.
Digital Zoom	Various levels available	Adjusts the size of the projected image.
Image Shift	Various positions available	Shifts the image position horizontally and vertically. This feature is not available if the Digital Zoom option is set to the widest setting.
Remote Receiver	Front/Rear Front Rear Off	Limits reception of remote control signals by the selected receiver; Off turns off all receivers.
Screen Type	4:3 16:9 16:10	Sets the aspect ratio of the screen to fit the image into the projection area. Setting is only displayed when Content Playback is set to Off in the projector's Operation menu.
Screen Position	Various positions available	Shifts the image position horizontally and vertically. This feature is not available if you set the Screen Type setting to the same aspect ratio as the projector resolution.
High Altitude Mode	On Off	Regulates the projector's operating temperature at altitudes above 1500 m.
Source	—	Displays settings saved for each input source. To change settings for an input source, make sure the source is connected and select that source.

Setting	Options	Description
Blanking	Top Bottom Left Right	Hides an area of the projected image that you select using the arrow buttons. Setting is only displayed when Content Playback is set to Off in the projector's Operation menu.
Reset to Defaults	—	Resets all settings for current input source. Setting is only displayed when Content Playback is set to Off in the projector's Operation menu.
Install Again	—	Opens the wizard to adjust the projected image when re-installing the projector.
Reset Installation Settings	—	Resets all adjustment values on the Installation menu to their default settings, except for the following: <ul style="list-style-type: none"> • Digital Zoom • Image Shift

▶▶ Related Links

- "Focusing the Image Using the Focus Lever" [p.52](#)
- "Changing the Projection Mode" [p.46](#)
- "Projector Setup and Installation Options" [p.20](#)
- "Image Shape" [p.53](#)
- "Resizing the Image with Digital Zoom" [p.62](#)
- "Setting the Screen Type" [p.47](#)

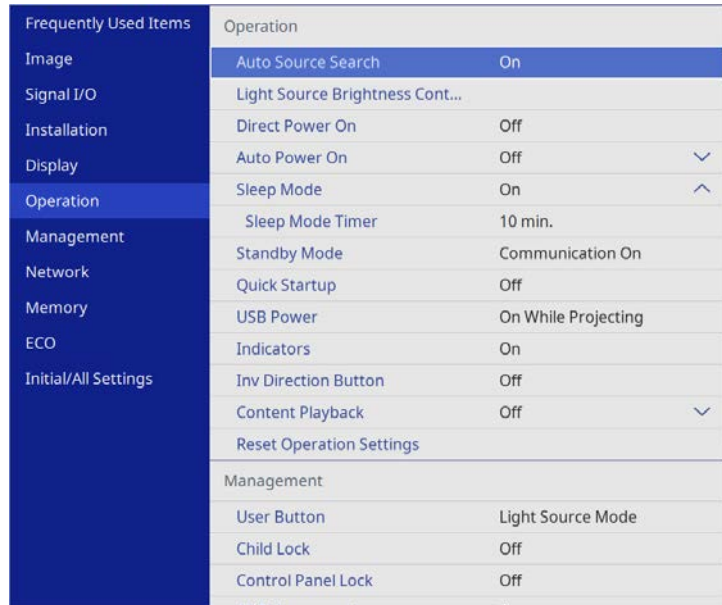
Settings on the **Display** menu let you customize various projector display features.



Setting	Options	Description
Messages	On Off	Set to On to display messages such as input source name, color mode name, aspect ratio, no signal message, or high temperature warning on your projected image.
Menu Color	Black White Logo	Sets the color theme of the Home screen and projector menu system.
Panel Alignment	On Off	Set to On to correct color misalignment in the projected image.
	Select Color	Select the color to correct.
	Pattern Color	Select the pattern used for correction.
	Start Adjustments	Starts panel alignment.
	Reset	Resets all adjustment values on the Panel Alignment setting to their default settings.
Reset Display Settings	—	Resets all adjustment values on the Display menu to their default settings.

Setting	Options	Description
No-signal Screen	Black Blue Logo	Sets the screen color displayed when no signal is being received. Setting is only displayed when Content Playback is set to Off in the projector's Operation menu.
Startup Screen	On Off	Set to On to display a logo when the projector starts up.
Home Screen Auto Disp.	On Off	Set to On to display the Home screen automatically when there is no input signal when turning on the projector.

Settings on the **Operation** menu let you customize various projector features.



Setting	Options	Description
Auto Source Search	On Off	Set to On to detect the input signal automatically and project images when there is no input signal. This function is disabled when you turn on the projector in the Quick Startup mode. Setting is only displayed when Content Playback is set to Off .

Setting	Options	Description
Light Source Brightness Control	Light Source Mode	Select the brightness for the light source. <ul style="list-style-type: none"> • Normal: maximum brightness. • Medium: 75% brightness. • Quiet: 50% brightness with reduced fan noise. • Custom: select a custom brightness level.
	Brightness Level	Select the Custom brightness level you want.
Direct Power On	On Off	Set to On to turn on the projector by plugging it in without pressing the power button.
Auto Power On	HDMI1 Off	Set to HDMI1 to automatically turn on the projector when the input signal from the HDMI1 source is detected.
Power On Trigger	Plug-in Detection Signal Detection	Sets the way the projector turns on when Auto Power On is set to HDMI1 . Plug-in Detection: Automatically turns on the projector when it detects that a connected device has been turned on. Signal Detection: Automatically turns on the projector when it detects an HDMI video signal. When set to Signal Detection , the standby power increases. Please consider the environment before making any changes.
Sleep Mode	On Off	Set to On to automatically turn off the projector after an interval of inactivity.
Sleep Mode Timer	1 to 30 minutes	Sets the interval for Sleep Mode .

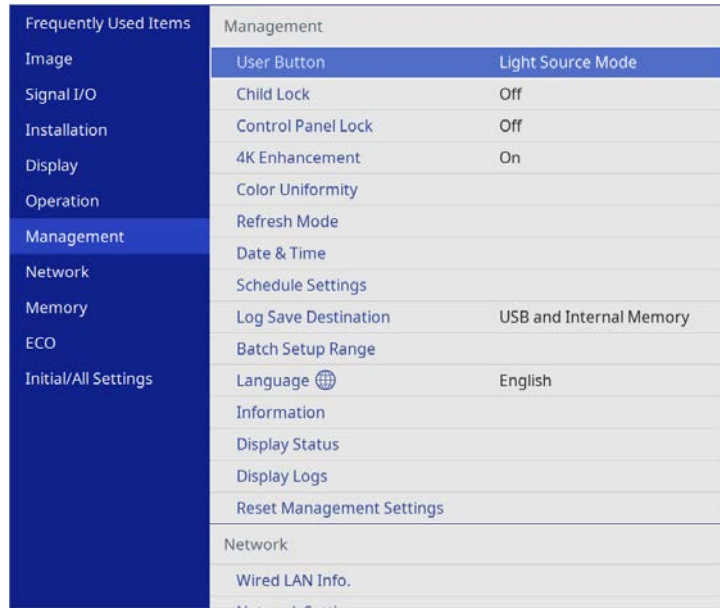
Setting	Options	Description
Standby Mode	Communication On Communication Off	Set to Communication On to allow monitoring and controlling the projector over a network when the projector is in standby mode. Setting is only displayed in the following cases: <ul style="list-style-type: none"> • Auto Power On is not set to HDMI1 and Power On Trigger is set to Plug-in Detection. • USB Power is set to On While Projecting.
Startup Source	Various input sources available	Select the image source you want to project when the projector is turned on in Content Playback mode.
Quick Startup	20min. 60min. 90min. Unlimited Off	Sets the time period for Quick Startup mode. The projector enters this mode when you turn it off. You can start projecting in approximately 5 seconds by pressing the power button. However, the projector may take longer to become ready for use when projecting from the USB port. This setting is displayed only when Auto Power On is set to HDMI1 and Power On Trigger is set to Plug-in Detection .
USB Power	On While Projecting Always On	Set to Always On to continue supplying power to the streaming media player when the projector is not projecting images. This setting is displayed only when Auto Power On is set to HDMI1 and Power On Trigger is set to Plug-in Detection . When set to Always On , the standby power increases.

Setting	Options	Description
Indicators	On Off	Set to Off to turn off the indicator lights on the projector except when an error or warning occurs.
Inv Direction Button	On Off	When suspending the projector from a ceiling, set to On to invert the operation direction of the control panel arrow buttons.
Content Playback	On Off	Set to On to play back a playlist.
Overlay Effect	Overlay Effect Shape Filter Color Filter Lightness	Adds color and shape effects to the projected image. This setting is displayed only when the playlist can be played and no writable error has occurred in Content Playback mode.
USB Viewer	—	Selects and plays back a playlist saved on the USB flash drive.
Reset Operation Settings	—	Resets all adjustment values on the Operation menu to their default settings.

►► **Related Links**

- "Adjusting the Brightness" [p.77](#)
- "Projecting in Content Playback Mode" [p.87](#)

Settings on the **Management** menu let you customize various projector administrative features.



Setting	Options	Description
User Button	Various menu options available	Assigns a menu option to the [User] button on the remote control for one-touch access.
Child Lock	On Off	Locks the power button on the projector's control panel to prevent children from turning the projector on by accident. This setting is only displayed when Control Panel Lock is set to Except for Power or Off .

Setting	Options	Description
Control Panel Lock	Full Lock Except for Power Off	Controls projector button locking to secure the projector: <ul style="list-style-type: none"> • Full Lock: locks all buttons. • Except for Power: locks all buttons except the power button. • Off: no buttons locked.
4K Enhancement	On Off	Projects an image at a doubled resolution by diagonally shifting 1 pixel in increments of 0.5 pixels. A high-resolution image signal is projected in fine detail. You cannot select this setting when the Aspect setting is set to Native in the projector's Signal I/O menu.
Color Uniformity	Color Uniformity	Set to On to adjust the color tone balance for the whole screen.
	Adjustment Level	Sets the adjustment level.
	Start Adjustments	Adjusts the red, green, and blue color tones individually for the selected area.
	Reset	Resets all adjustment values on the Color Uniformity menu to their default settings.
Refresh Mode	Timer	Sets a time period during which the projector displays the refresh image.
	Messages	Set to On to display a message informing you that the projector is in refresh mode.
	Start	Starts the refresh mode process to clear any projected afterimage and turn off the projector after a specified period of time. Press any button on the remote control to cancel this process.

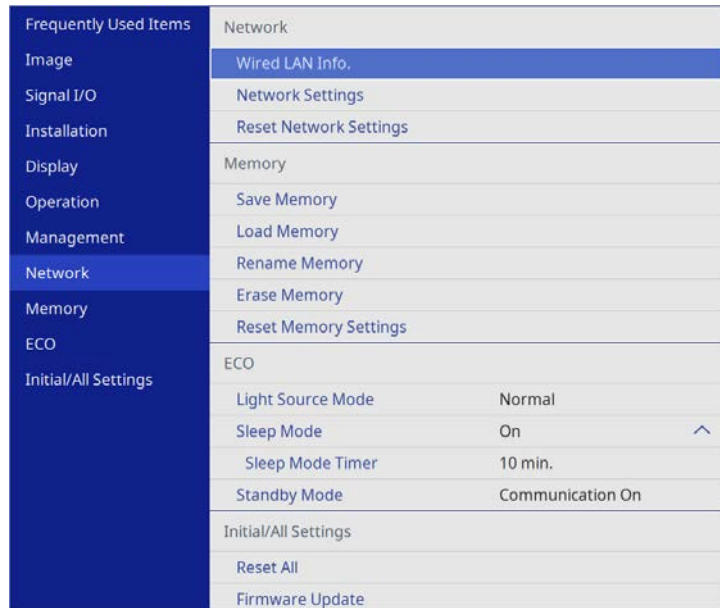
Setting	Options	Description
Date & Time	Date & Time Daylight Saving Time Internet Time	Adjusts the projector's system time and date settings. Select Daylight Saving Time to set daylight saving time settings for your region. Select Internet Time to automatically acquire the time from an Internet time server.
Schedule Settings	—	Schedules projector events to occur automatically at selected dates and times.
Log Save Destination	Internal Memory USB and Internal Memory	Sets the location in which to save error and operation log files. Setting is only displayed when Content Playback is set to Off in the projector's Operation menu.
Batch Setup Range	All Limited	Select All to copy all of the projector menu settings using the batch setup feature. Select Limited , if you do not want to copy the following settings: <ul style="list-style-type: none"> • EDID in the Signal I/O menu • Network menu settings
Language	Various languages available	Select the language for projector menu and message displays.
Information	Various information	Displays information about the projector and input sources. The displayed items vary depending on the current input source.
Display Status	System Version Network Wired Input Signal	Displays the projector's status information.
Display Logs	Temp Warning Info Power On/Off History	Displays log data saved to the location specified in the Log Save Destination setting.

Setting	Options	Description
Reset Management Settings	—	Resets all adjustment values on the Management menu to their default settings, except for Language .

► **Related Links**

- "Locking the Projector's Buttons" [p.95](#)
- "Setting the Date and Time" [p.42](#)
- "Setting Projector Event Schedules" [p.114](#)
- "Selecting the Language for the Projector Menus" [p.45](#)

Settings on the **Network** menu let you view network information and set up the projector for controlling over a network.



Setting	Options	Description
Wired LAN Info.	Various information	Displays wired network status and details.
Network Settings	—	Configures your projector network settings. See the network menu table for details on the Network Settings .
Reset Network Settings	—	Resets all adjustment values on the Network menu to their default settings.



Once you have connected your projector to your network, you can select projector settings and control projection using a compatible Web browser. This allows you to access the projector remotely.

►► Related Links

- "Network Menu - Network Settings Menu" [p.131](#)

Network Menu - Network Settings Menu

Settings on the **Network Settings** menu let you select the basic network settings.



If no **Web Control Password** has been set, a screen prompting you to set a password is displayed before you can save network settings. Follow the on-screen instructions to set the password.

Setting	Options	Description
Projector Name	Up to 16 alphanumeric characters (do not use " * + , / : ; < = > ? [\] ` spaces)	Enter a name to identify the projector over the network.
Web Control Password	Up to 32 alphanumeric characters (do not use * : spaces)	Enter a password to use when accessing the projector over the Web. (The user name is EPSONWEB . No password is set by default. If no Web Control Password has been set, a browser error screen is displayed. Set the password in the Network Settings menu.)
Wired LAN	—	See the Wired LAN menu table for details.
Projector Control	—	See the Projector Control menu table for details.

►► Related Links

- "Network Menu - Wired LAN Menu" [p.132](#)
- "Network Menu - Projector Control Menu" [p.132](#)

Network Menu - Wired LAN Menu


Settings on the **Wired LAN** menu let you select the wired LAN settings.

Setting	Options	Description
IP Settings	DHCP IP Address Subnet Mask Gateway Address	Set DHCP to On if your network assigns addresses automatically; set to Off to manually enter the network's IP Address , Subnet Mask , and Gateway Address using 0 to 255 for each address field. Do not use these addresses: 0.0.0.0, 127.x.x.x, 192.0.2.x or 224.0.0.0 through 255.255.255.255 (where x is a number from 0 to 255) for IP Address, 255.255.255.255 or 0.0.0.0 through 254.255.255.255 for Subnet Mask, and 0.0.0.0, 127.x.x.x or 224.0.0.0 through 255.255.255.255 for Gateway Address.
DNS Server 1 DNS Server 2	Various IP addresses	Enter the IP address for the DNS server, using 0 to 255 for each address field. The DNS server resolves the host name. You cannot use the following IP addresses: 127.x.x.x (where x is a number from 0 to 255). When these settings are not set and remain as 0.0.0.0, DNS server information is acquired using DHCP. After acquiring the information, the values remain as 0.0.0.0.
IPv6	On Off	Set to On if you want to connect the projector to the network using IPv6. IPv6 is supported to monitor and control the projector over a network using Epson Web Control and PjLink.

Setting	Options	Description
Auto Configuration	On Off	Set to On to assign addresses automatically according to the Router Advertisement.
Use Temporary Address	On Off	Set to On if you want to use a temporary IPv6 address.
IP Address Display	On Off	Set to On to display the IP address on the network information screen and Home screen.

Network Menu - Projector Control Menu

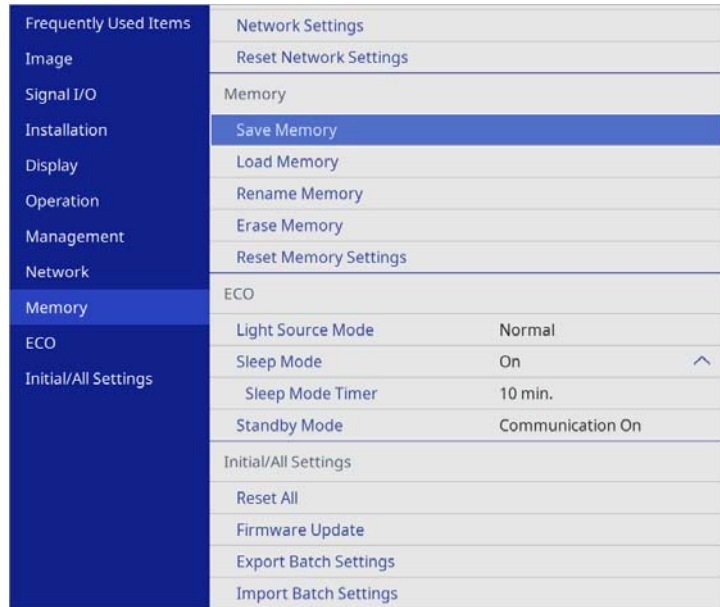
Settings on the **Projector Control** menu let you select settings for controlling the projector over a network.

Setting	Options	Description
Command Communication	Protected Compatible	Selects the authentication method for command communication. When using Command Communication, set the Monitor Password or the Web Control Password .  Network > Network Settings > Web Control Password Set to Compatible when performing plain text authentication using the Monitor Password (up to 16 alphanumeric characters long). Select Compatible when monitoring projectors with a switcher and a system controller.
Web API Settings	Web API	Select On to enable the Web API function.

Setting	Options	Description
	Authentication	Selects the security for your projector to use during Web API communications. Open: Security is not set. Digest: Communication is performed using API authentication (Digest authentication). See the <i>Web API Specifications for Projectors</i> for details.
Basic Control	On Off	Set to On to monitor and control the projector using Basic Control in Epson Web Control . This setting is only displayed when Content Playback is set to Off in the projector's Operation menu.
Remote Password	Up to 8 alphanumeric characters (do not use * : spaces)	Enter a password to access the projector using Basic Control in Epson Web Control . (The user name is EPSONREMOTE . No password is set by default.)
PJLink	On Off	Set to On to enable the PJLink notification function.
PJLink Password	Up to 32 alphanumeric characters (do not use spaces and any symbols other than @)	Enter a password for using the PJLink protocol for projector control. You must set the PJLink Password when using the PJLink function for the first time.

Setting	Options	Description
Notified IP Address	Various IP addresses	Enter the IP address to receive the projector's operating status when the PJLink notification function is enabled. Enter the addresses using 0 to 255 for each address field. Do not use these addresses: 127.x.x.x or 224.0.0.0 through 255.255.255.255 (where x is a number from 0 to 255).
AMX Device Discovery	On Off	Set to On when you want to allow the projector to be detected by AMX Device Discovery.
Crestron Connected	On Off	Set to On only when monitoring or controlling the projector over the network using Crestron Connected.
Password	Up to 20 alphanumeric characters	Enter a password to enable Crestron Connected . No password is set by default.
Crestron XiO Cloud	On Off	Set to On to monitor or control your projector and other devices over the network using the Crestron XiO Cloud service.
Control4 SDDP	On Off	Set to On to allow device information to be acquired using Control4 Simple Device Discovery Protocol (SDDP).
Secure HTTP	On Off	To strengthen security, communication between the projector and computer in Web control is encrypted. When setting security with Web control, it is recommended to set this to On .
Web Server Certificate	—	Imports the Web server certificate for secure HTTP.

Settings on the **Memory** menu let you manage saving and loading of image quality settings in the projector's memory.

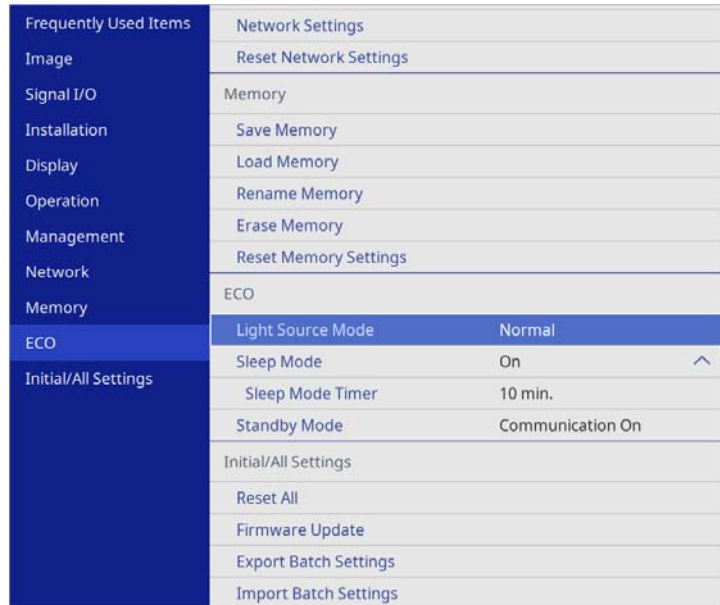


Setting	Options	Description
Save Memory	Memory 1 to 10	Saves customized sets of settings to memory.
Load Memory	Memory 1 to 10	Loads saved memory settings and applies them to the current image.
Rename Memory	Memory 1 to 10	Changes the name of the memory settings.
Erase Memory	Memory 1 to 10	Deletes a saved memory.
Reset Memory Settings	—	Resets all saved memories.

▶ **Related Links**

- "Saving Settings to Memory and Using Saved Settings " [p.94](#)

Settings on the **ECO** menu let you customize projector functions to save power.

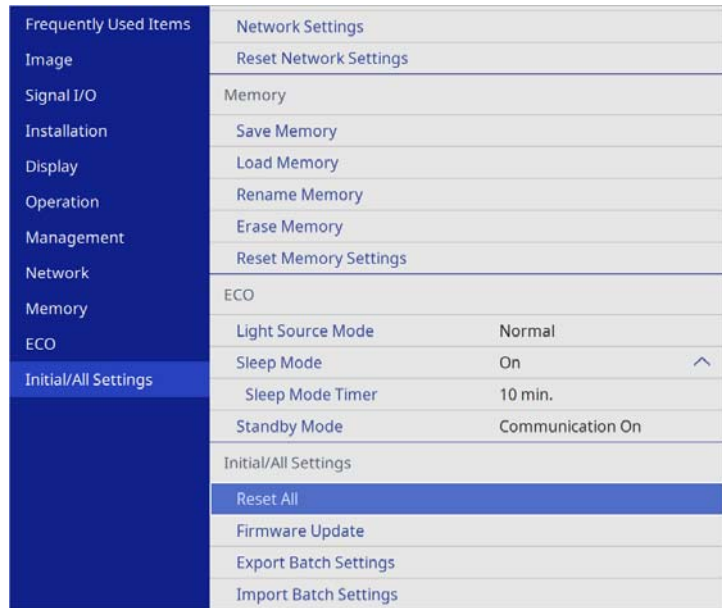


Setting	Options	Description
Light Source Mode	—	See the Operation menu table for details on the Light Source Mode settings.
Sleep Mode	—	See the Operation menu table for details on the Sleep Mode settings.
Sleep Mode Timer	—	See the Operation menu table for details on the Sleep Mode Timer settings.
Standby Mode	—	See the Operation menu table for details on the Standby Mode settings.

► **Related Links**

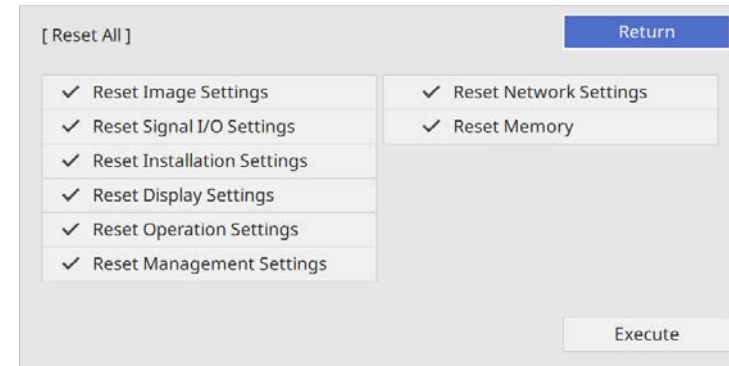
- "Projector Feature Settings - Operation Menu" [p.127](#)

Settings on the **Initial/All Settings** menu let you reset certain projector settings to their default values and place the projector in firmware update mode so you can update the firmware.



Reset All options

When you select **Reset All**, you see the following screen.



If you do not want to reset values in particular menus, deselect the check box next to the menu name. When you are ready to reset setting values, select **Execute**.

You cannot reset the following settings:

- **Digital Zoom**
- **Image Shift**
- **Language**

» Related Links

- "Updating the Firmware" [p.152](#)

Setting	Options	Description
Reset All	—	Lets you select menus for resetting the settings to default values.
Firmware Update	—	Enters the firmware update mode and ready to update firmware using the USB-A or USB-B port.
Export Batch Settings	Yes No	Exports the projector's menu settings to a USB flash drive or a computer, allowing you to copy them to other projectors of the same model.
Import Batch Settings	Yes No	Imports menu settings that have been saved to a USB flash drive or a computer.

After selecting the projector's menu settings for one projector, you can use the following methods to copy the settings to other projectors, as long as they are the same model.

- by using a USB flash drive
- by connecting a computer and projector using a USB cable

You cannot copy any information unique to an individual projector, such as **Light Source Hours** or **Status**.



- Perform batch setup before adjusting the image settings such as keystone distortion correction. Since image adjustment values are also copied to another projector, the adjustments you made before performing the batch setup are overwritten and the projected screen you adjusted may change.
- Make sure **Batch Setup Range** is set to **Limited** if you do not want to copy the following settings:
 - **EDID** in the **Signal I/O** menu
 - **Network** menu settings
 - **Management > Batch Setup Range**

Caution

Epson takes no responsibility for batch setup failures and associated repair costs due to power outages, communication errors, or other problems that may cause such failures.

▶ Related Links

- "Transferring Settings From a USB Flash Drive" [p.137](#)
- "Transferring Settings From a Computer" [p.138](#)

Transferring Settings From a USB Flash Drive

You can copy menu settings from one projector to another of the same model using a USB flash drive.



- The USB flash drive must use a FAT 16/32 format and not incorporate any security function. Delete any files on the drive before using it for batch setup or the settings may not be saved correctly.
- You can also use this batch setup method from the projector's menu.

- 1** Disconnect the power cord from the projector, and check that all of the projector's indicators have turned off.
- 2** Connect an empty USB flash drive directly to the projector's USB-A port.
- 3** Hold down the [Esc] button on the remote control or the control panel and connect the power cord to the projector.
- 4** When all of the projector's indicators turn on, release the [Esc] button. The indicators start flashing and the batch setup file is written to the USB flash drive. When writing is finished, the projector turns off.

Caution

Do not disconnect the power cord or the USB flash drive from the projector while the file is being written. If the power cord or USB flash drive is disconnected, the projector may not start correctly.

- 5 Remove the USB flash drive.



The file name for the batch setup file is PJCONFDATA.bin. If you need to change the file name, add text after PJCONFDATA using only alphanumeric characters. If you change the PJCONFDATA section of the file name, the projector may not be able to recognize the file correctly.

- 6 Disconnect the power cord from the projector to which you want to copy settings, and check that all of the projector's indicators have turned off.
- 7 Connect the USB flash drive containing the saved batch setup file to the projector's USB-A port.
- 8 Hold down the [Menu] button on the remote control or the control panel and connect the power cord to the projector.
- 9 When all of the projector's indicators turn on, release the [Menu] button. (The indicators remain on for approximately 75 seconds.)
When all of the indicators start flashing, the settings are being written.
When writing is finished, the projector turns off.

Caution

Do not disconnect the power cord or the USB flash drive from the projector while the file is being written. If the power cord or USB flash drive is disconnected, the projector may not start correctly.

- 10 Remove the USB flash drive.

Transferring Settings From a Computer

You can copy menu settings from one projector to another of the same model by connecting the computer and projector with a USB cable.



- You can use this batch setup method with the following operating system versions:
 - Windows 10 and later
 - macOS 10.13.x and later
- You can also use this batch setup method from the projector's menu.

- 1 Disconnect the power cord from the projector, and check that all of the projector's indicators have turned off.
- 2 Connect a USB cable to the computer's USB port and to the projector's USB-B port.
- 3 Hold down the [Esc] button on the remote control or the control panel and connect the power cord to the projector.
- 4 When all of the projector's indicators turn on, release the [Esc] button.
The computer recognizes the projector as a removable disk.
- 5 Open the removable disk icon or folder, and save the batch setup file to the computer.



The file name for the batch setup file is PJCONFDATA.bin. If you need to change the file name, add text after PJCONFDATA using only alphanumeric characters. If you change the PJCONFDATA section of the file name, the projector may not be able to recognize the file correctly.

- 6** Eject the USB device (Windows) or drag the removable disk icon to the Trash (Mac).
- 7** Disconnect the USB cable.
The projector turns off.
- 8** Disconnect the power cord from the projector to which you want to copy settings, and check that all of the projector's indicators have turned off.
- 9** Connect the USB cable to the computer's USB port and to the projector's USB-B port.
- 10** Hold down the [Menu] button on the remote control or the control panel and connect the power cord to the projector.
- 11** When all of the projector's indicators turn on, release the [Menu] button.
The computer recognizes the projector as a removable disk.
- 12** Copy the batch setup file (PJCONFDATA.bin) that you saved to your computer to the top level folder of the removable disk.



Do not copy any files or folders other than the batch setup file to the removable disk.

- 13** Eject the USB device (Windows) or drag the removable disk icon to the Trash (Mac).
- 14** Disconnect the USB cable.
When all of the indicators start flashing, the settings are being written.
When writing is finished, the projector turns off.

Caution

Do not disconnect the power cord from the projector while the file is being written. If the power cord is disconnected, the projector may not start correctly.

▶▶ **Related Links**

- "Batch Setup Error Notification" [p.139](#)

Batch Setup Error Notification

The status indicator on the projector notifies you if an error occurs during a batch setup operation. Check the status of the indicator and follow the instructions in this table.

Indicator status	Problem and solutions
Orange - flashing fast	The batch setup file may be corrupt, or the USB flash drive may not be connected correctly. Disconnect the USB flash drive, unplug and then plug in the projector's power cord, and then try again.

Maintaining the Projector

Follow the instructions in these sections to maintain your projector.

► Related Links

- "Projector Maintenance" [p.141](#)
- "Cleaning the Projection Window" [p.142](#)
- "Cleaning the Obstacle Sensor" [p.143](#)
- "Cleaning the Projector Case" [p.144](#)
- "Air Filter and Vent Maintenance" [p.145](#)
- "Adjusting the Color Convergence (Panel Alignment)" [p.150](#)
- "Updating the Firmware" [p.152](#)

You may need to clean the projection window and obstacle sensor periodically, and clean the air filter and air vents to prevent the projector from overheating due to blocked ventilation.

The only parts you should replace are the air filter and remote control batteries. If any other part needs replacing, contact Epson or an authorized Epson servicer.

 **Warning**

Before cleaning any part of the projector, turn it off and unplug the power cord. Never open any cover on the projector, except as specifically explained in this manual. Dangerous electrical voltages in the projector can injure you severely.

Clean the projection window periodically, or whenever you notice dust or smudges on the surface.

- To remove dust or smudges, gently wipe the projection window with clean and dry lens-cleaning paper.
- If the projection window is dusty, blow off dust using a blower, and then wipe the projection window.

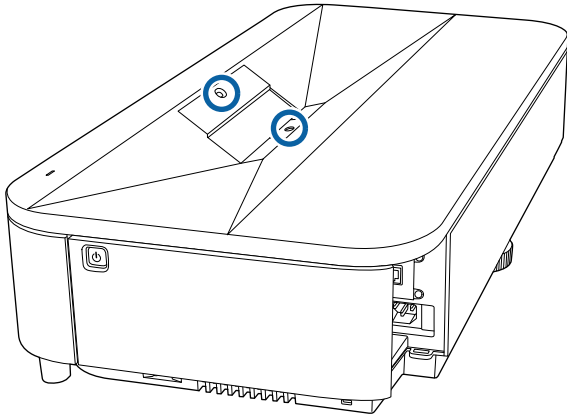
Warning

- Before cleaning the projection window, turn off the projector and unplug the power cord.
- Do not use any flammable gas sprays such as air dusters to blow off dust. The high heat generated by the projector may cause a fire.

Attention

- Do not wipe the projection window right after you turn off the projector. Doing so could damage the projection window.
- Do not use any harsh materials to clean the projection window and do not subject the projection window to any impacts; otherwise, it could be damaged.

Clean the projector's obstacle sensor glass periodically, or if you see a message telling you to remove any obstacles that are interfering with the projection area. To remove dust or smudges, gently wipe the sensors with lens-cleaning paper.



Warning

Do not use a lens cleaner that contains flammable gas to clean the obstacle sensor. The high heat generated by the projector may cause a fire.

Attention

Do not use glass cleaner or any harsh materials to clean the obstacle sensor and do not subject the obstacle sensor to any impacts. Damage on the surface of the sensor may cause malfunctions.

Before cleaning the projector case, turn off the projector and unplug the power cord.

- To remove dust or dirt, use a soft, dry, lint-free cloth.
- To remove stubborn dirt, use a soft cloth moistened with water and mild soap. Do not spray liquid directly on the projector.

Attention

Do not use wax, alcohol, benzene, paint thinner, or other chemicals to clean the projector case. These can damage the case. Do not use canned air, or the gases may leave a flammable residue.

Regular filter maintenance is important to maintain your projector. Clean the air filter when a message appears telling you the temperature inside the projector has reached a high level. It is recommended that you clean these parts over a 20,000 hour period. Clean them more often than this if you use the projector in an environment that is dustier than expected. (Assuming the projector is used in an atmosphere in which airborne particulate matter is less than 0.04 to 0.2 mg/m³.)

Attention

If regular maintenance is not performed, your Epson projector will notify you when the temperature inside the projector has reached a high level. Do not wait until this warning appears to maintain your projector filter as prolonged exposure to high temperatures may reduce the life of your projector.

► Related Links

- "Cleaning the Air Filter " [p.145](#)
- "Replacing the Air Filter" [p.147](#)
- "Cleaning the Air Intake Vents " [p.149](#)

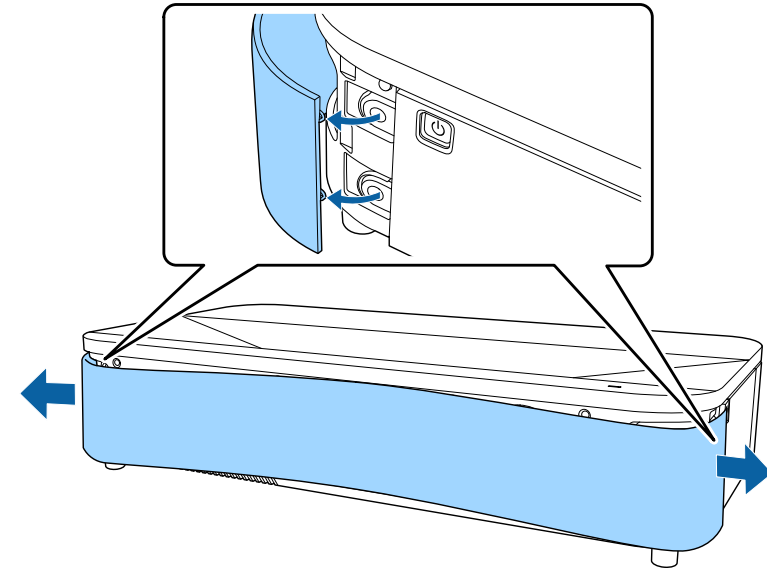
Cleaning the Air Filter

You need to clean the projector's air filters in the following situations:

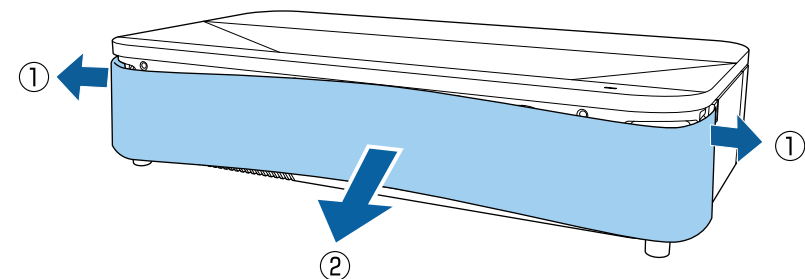
- The filter get dusty.
- You see a message telling you to clean it.

1 Turn off the projector and unplug the power cord.

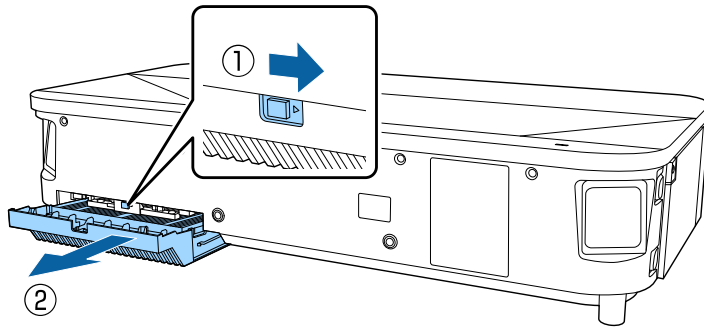
2 Carefully remove the front cover fixing points on the left and right side of the cover.



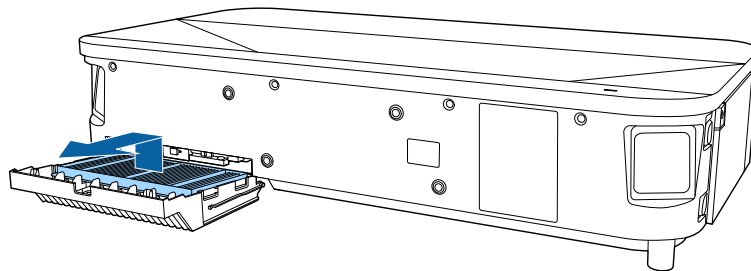
3 Remove the front cover.



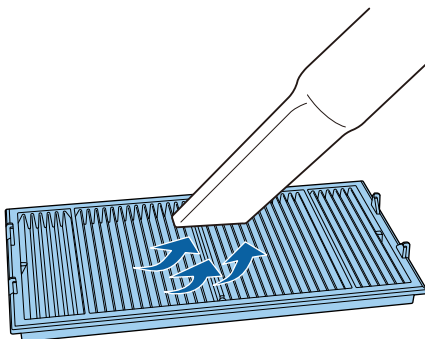
4 Slide the air filter cover latch and pull out the air filter cover.



5 Pull the air filter out of the air filter cover.



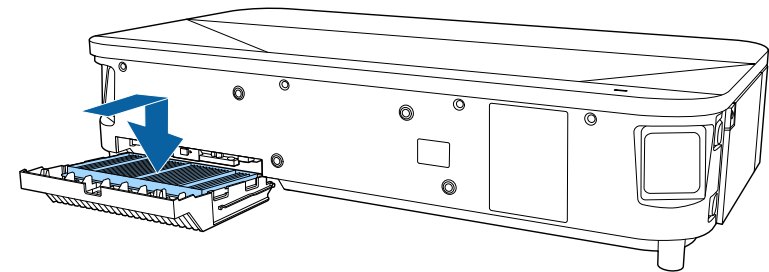
6 Vacuum the front of the air filter (the side with the tabs) to remove any remaining dust.



Attention

- Do not rinse the air filter in water, or use any detergent or solvent to clean it.
- Do not use canned air. The gases may leave a flammable residue or push dust and debris into the projector's optics or other sensitive areas.

7 Place the air filter with the four tabs facing down as shown.

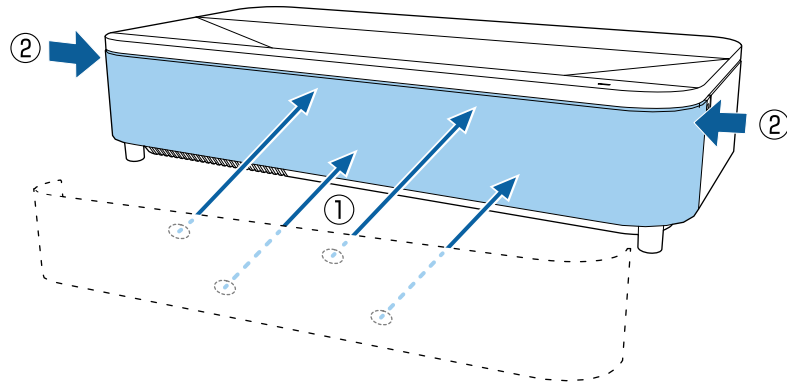


Attention

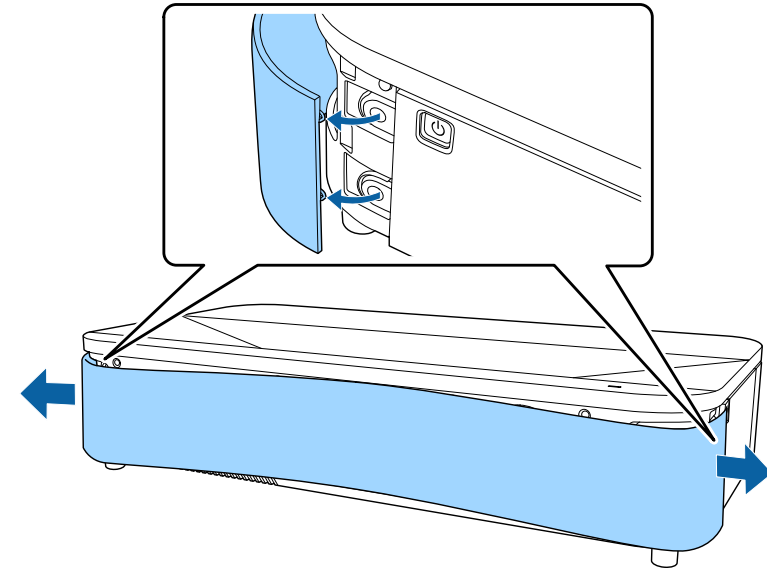
Do not force the air filter cover to close with the tabs on the air filter facing up. Doing so could damage the projector.

8 Insert the air filter cover until it clicks into place.

9 Replace the front cover.



2 Carefully remove the front cover fixing points on the left and right side of the cover.



Replacing the Air Filter

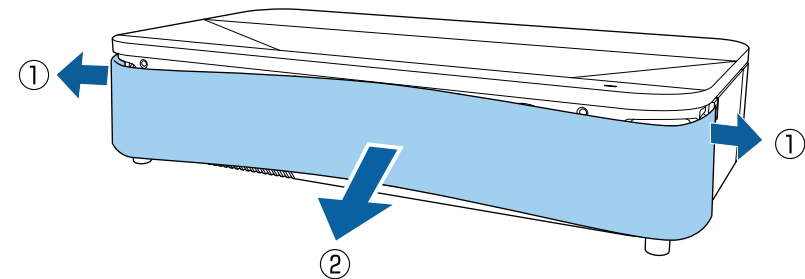
You need to replace the air filter in the following situations:

- After cleaning the air filter, you see a message telling you to clean or replace it.
- The air filter is torn or damaged.

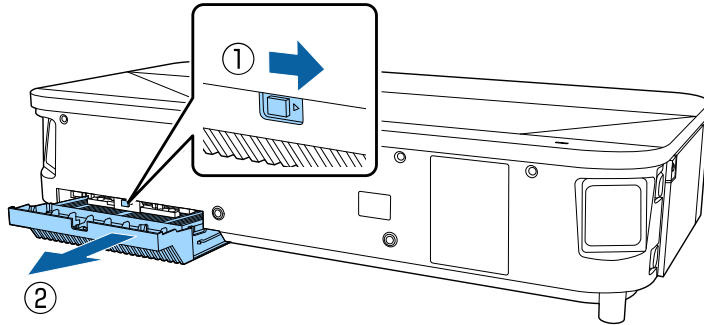
You can replace the air filter while the projector is mounted to the ceiling or placed on a table.

1 Turn off the projector and unplug the power cord.

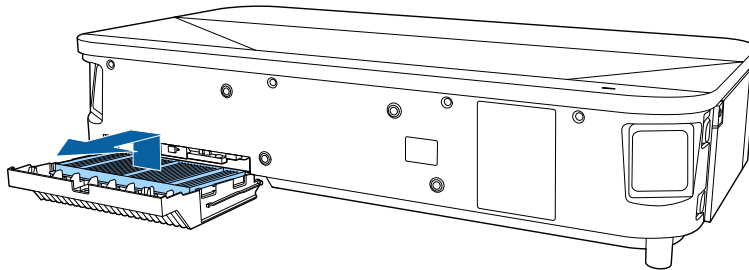
3 Remove the front cover.



4 Slide the air filter cover latch and pull out the air filter cover.



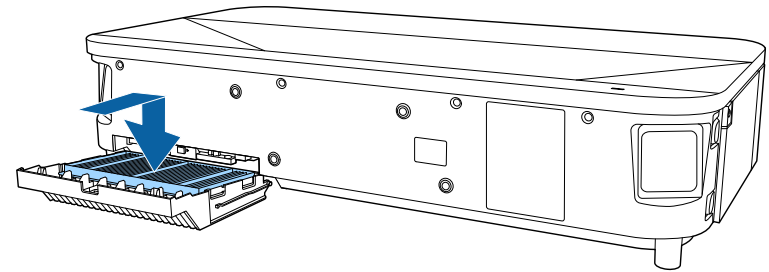
5 Pull the air filter out of the projector.



Dispose of used air filters according to local regulations.

- Filter frame: Polypropylene
- Filter: Polypropylene, PET

6 Place the new air filter with the four tabs facing down as shown.

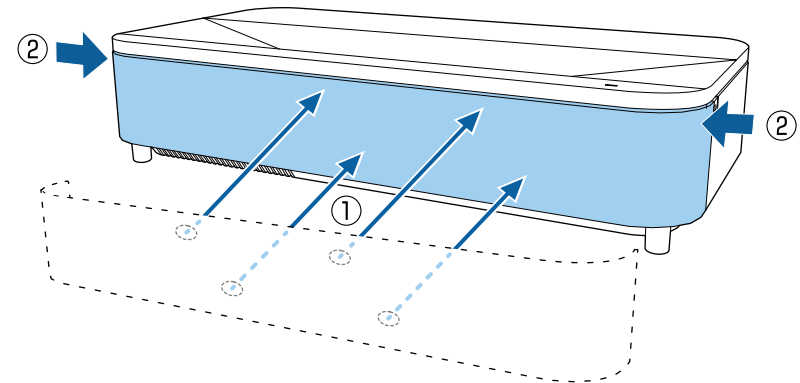


Attention

Do not force the air filter cover to close with the tabs on the air filter facing up. Doing so could damage the projector.

7 Insert the air filter cover until it clicks into place.

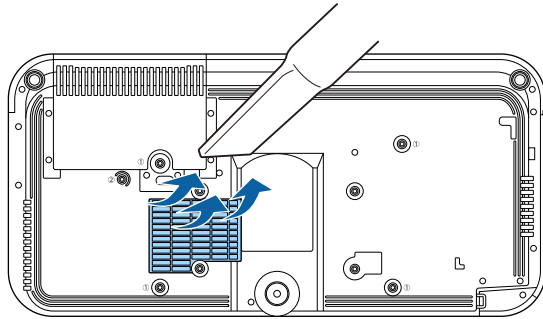
8 Replace the front cover.



Cleaning the Air Intake Vents

Clean the projector's air intake vents periodically, or whenever you notice dust on the surface of the vents to prevent the projector from overheating due to blocked ventilation.

- 1** Turn off the projector and unplug the power cord.
- 2** Turn the projector upside down.
- 3** Carefully remove the dust using a vacuum cleaner or a brush.



You can use the Panel Alignment feature to manually adjust the color convergence (the alignment of the red and blue colors) in the projected image. You can adjust the pixels horizontally and vertically in increments of 0.125 pixels within a range of ± 3 pixels.



- You can adjust only the red or blue color convergence. Green is the standard color panel and cannot be adjusted.
- Image quality may decline after performing Panel Alignment.
- Images for pixels that extend beyond the edge of the projected screen are not displayed.

1 Press the [Menu] button, select the **Display** menu, and then press [Enter].

Frequently Used Items	Display	
Image	No-signal Screen	Blue
Signal I/O	Startup Screen	On
Installation	Home Screen Auto Disp.	On
Display	Messages	On
Operation	Menu Color	White
Management	Panel Alignment	Off
Network	Reset Display Settings	
Memory	Operation	
ECO	Auto Source Search	On
Initial/All Settings	Light Source Brightness Cont...	
	Direct Power On	Off
	Auto Power On	Off
	Sleep Mode	On
	Sleep Mode Timer	10 min.
	Standby Mode	Communication On
	Quick Startup	Off
	USB Power	On While Projecting

2 Select **Panel Alignment** and press [Enter].

3 Select **Panel Alignment** and set it to **On**.

Frequently Used Items	Display	
Image	No-signal Screen	
Signal I/O	Startup Screen	
Installation	Home Screen Auto Disp.	
Display	Messages	
Operation	Menu Color	
Management	Panel Alignment	On
Network	Select Color	
Memory	Pattern Color	
ECO	Start Adjustments	
Initial/All Settings	Reset	
	Reset Display Settings	
	Operation	
	Auto Source Search	
	Light Source Brightness Cont...	
	Direct Power On	
	Auto Power On	
	Sleep Mode	

4 Select **Select Color** and choose one of the following:

- **R** to adjust the red color convergence.
- **B** to adjust the blue color convergence.

5 Select **Pattern Color** and choose the grid color displayed when making adjustments. The available color varies depending on the **Select Color** setting.

- **R/G/B** to display the grid color in white.
- **R/G** to display the grid color in yellow.
- **G/B** to display the grid color in cyan.

6 Select **Start Adjustments** and press [Enter].

- 7** Select one of the following options:
- Select **Shift the whole panel** to adjust the entire panel at the same time and go to the next step.
 - Select **Adjust the four corners** to adjust the corners of the panel one at a time and go to step 10.

- 8** Use the arrow buttons on the remote control to adjust the color alignment selected in **Select Color**, and then press [Enter].



Adjustment affects the grid lines in the entire screen.

- 9** Select one of the following options:
- Select **Adjust the four corners** to fine-tune your adjustments.
 - Select **Exit** to finish adjustments.
- 10** Use the arrow buttons on the remote control to adjust the color alignment of the screen corner highlighted by the orange box, and then press [Enter].
- 11** When you are finished adjusting each corner of the screen, press [Enter].
- 12** Select one of the following options:
- If your projector needs additional panel alignment, select **Select intersection and adjust**. Use the arrow buttons on the remote control to highlight the corner of any misaligned box on the screen, press [Enter], make any necessary adjustments, and then press [Enter] again. Repeat this step as necessary for the other intersections.
 - Select **Exit** to finish adjustments.

When you select the **Firmware Update** option in the projector's **Initial/All Settings** menu, the projector enters firmware update mode and is ready to perform a firmware update using the USB-A or USB-B port.

▶ **Related Links**

- "Updating Firmware Using a USB Storage Device" [p.152](#)
- "Updating Firmware Using a Computer and USB Cable" [p.153](#)

Updating Firmware Using a USB Storage Device

You can update the projector's firmware using a USB storage device.



Responsibility for updating the firmware lies with the customer. If a firmware update fails due to problems such as a power failure or communication problems, a fee will be charged for any necessary repairs.

- 1** Download the projector firmware file from the Epson Web site.
- 2** Copy the downloaded firmware file to the root folder (highest folder in the hierarchy) of the USB storage device.



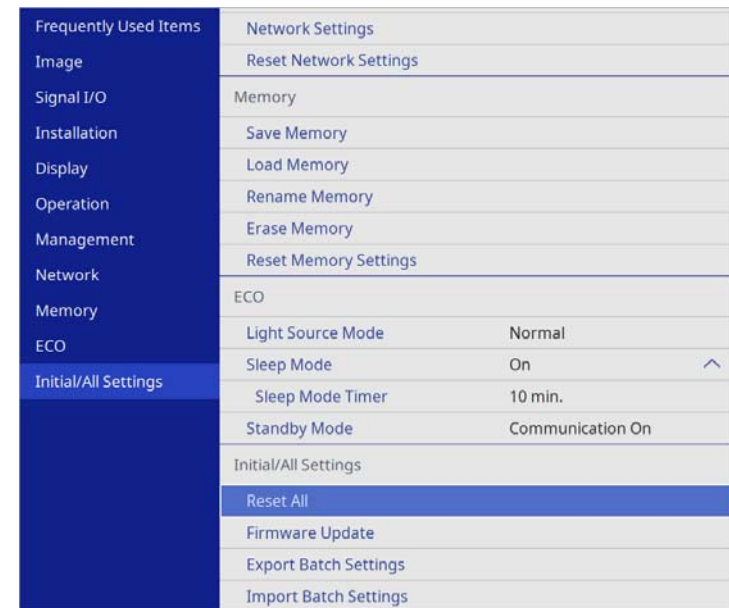
- The USB storage device must be formatted in FAT format.
- Do not copy any other files to the USB storage device.
- Do not change the firmware's file name. If the file name is changed, the firmware update will not start.
- Check that the firmware file you copied is the correct file for your projector model. If the firmware file is not correct, the firmware update will not start.

- 3** Connect the USB storage device to the projector's USB-A port.



Connect the USB storage device directly to the projector. If the USB storage device is connected using a USB hub, the firmware update may not be applied correctly.

- 4** Press the [Menu] button, select the **Initial/All Settings** menu, and press [Enter].



- 5** Select **Firmware Update** and press [Enter].

6 Select **Yes** to start the firmware update.



- Do not disconnect the power cord from the projector while the firmware is updating. If the power cord is disconnected, the projector may not start correctly.
- Do not disconnect the USB storage device from the projector while the firmware is updating. If the USB storage device is disconnected, the update may not be applied correctly.

All of the projector's indicators start flashing and the firmware update starts. When the update finishes normally, the projector enters standby status (only the power indicator is lit blue). If **Direct Power On** is set to **On** in the projector's **Operation** menu, the projector turns back on again.

When the update finishes, check the **Information** menu in the projector's **Management** menu to make sure that the **Version** information has been updated to the correct firmware version.



When all indicators flash rapidly, the firmware update may have failed. Disconnect the power cord from the projector, and then reconnect it to the projector. If the indicators continue to flash even after reconnecting the power cord, remove the power plug from the electrical outlet and contact Epson.



- Responsibility for updating the firmware lies with the customer. If a firmware update fails due to problems such as a power failure or communication problems, a fee will be charged for any necessary repairs.
- Your computer must be running one of the following operating systems to update the firmware.
 - Windows 10 or later
 - macOS 10.13.x or later

1 Download the projector firmware file from the Epson Web site.



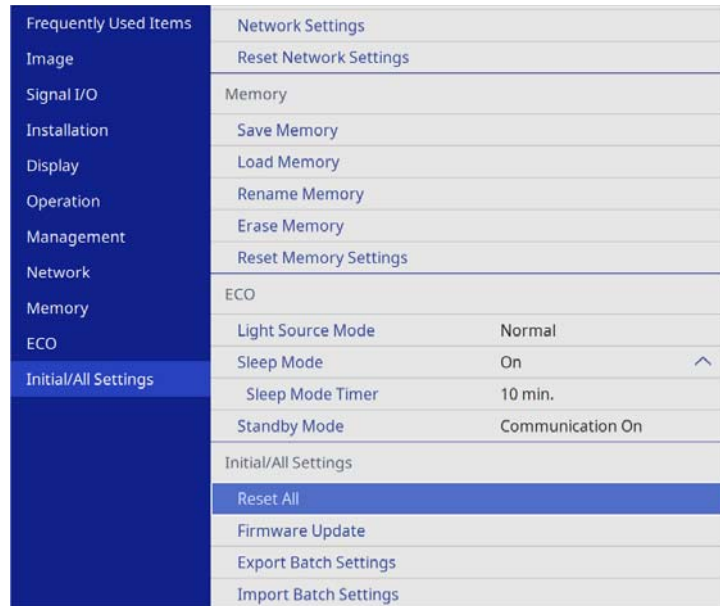
- Do not change the firmware's file name. If the file name is changed, the firmware update will not start.
- Check that the firmware file you copied is the correct file for your projector model. If the firmware file is not correct, the firmware update will not start.

2 Connect the USB cable to the computer's USB port and to the projector's USB-B port.

Updating Firmware Using a Computer and USB Cable

You can update the projector's firmware using a computer and a USB cable.

- 3** Press the [Menu] button, select the **Initial/All Settings** menu, and press [Enter].



- 4** Select **Firmware Update** and press [Enter].

- 5** Select **Yes** to start the firmware update.



Do not disconnect the power cord from the projector while the firmware is updating. If the power cord is disconnected, the projector may not start correctly.

All of the projector's indicators turn on and the projector enters firmware update mode. The computer recognizes the projector as a removable disk.

- 6** On the computer, copy the firmware file to the root folder (highest folder in the hierarchy) of the removable disk.



- Do not copy any other files or folders to the removable disk. Otherwise, the files or folders may be lost.
- The projector turns off automatically if the USB cable or the power cord are disconnected before the firmware file can be copied to the removable disk. If this occurs, perform the procedure again.

- 7** Perform the steps to safely remove a USB device from the computer and disconnect the USB cable from the projector.

All of the projector's indicators start flashing and the firmware update starts. When the update finishes normally, the projector enters standby status (only the power indicator is lit blue). If **Direct Power On** is set to **On** in the projector's **Operation** menu, the projector turns back on again.

When the update finishes, check the **Information** menu in the projector's **Management** menu to make sure that the **Version** information has been updated to the correct firmware version.



- When all indicators flash rapidly, the firmware update may have failed. Disconnect the power cord from the projector, and then reconnect it to the projector. If the indicators continue to flash even after reconnecting the power cord, remove the power plug from the electrical outlet and contact Epson.
- If no operations are performed for 20 minutes in update mode, the projector turns off automatically. If this occurs, perform the procedure again.

Solving Problems

Check the solutions in these sections if you have any problems using the projector.

▶▶ Related Links

- ["Projection Problems" p.156](#)
- ["Projector Indicator Status" p.157](#)
- ["Solving Image or Sound Problems" p.159](#)
- ["Solving Projector or Remote Control Operation Problems" p.165](#)
- ["Solutions to Problems in Content Playback Mode" p.167](#)
- ["Solving Network Problems" p.168](#)
- ["Solutions When HDMI Link does not Function" p.169](#)

If the projector is not working properly, turn it off, unplug it, and then plug it back in and turn it on.

If this does not solve the problem, check the following:

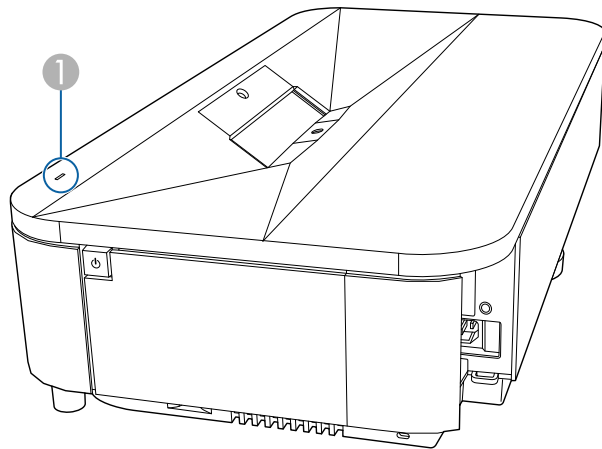
- The indicators on the projector may indicate the problem.
- The solutions in this manual can help you solve many problems.

If none of these solutions help, contact Epson for technical support.

The status indicator on the projector displays its current status and notifies you if an error occurs. Check the status and color of the indicator, and then see the table for a solution.



When the **Indicators** setting is set to **Off** in the projector's **Operation** menu, the indicator is off under normal projection conditions.



1 Status indicator

Indicator and status	Problem and solutions
Lit blue	Normal operation.
Flashing blue	<p>Warming up, shutting down, or cooling down.</p> <p>When warming up, wait about 30 seconds for an image to appear.</p> <p>All buttons are disabled during warm-up, shutting down, and cooling down.</p> <p>Refresh Mode is in progress.</p> <p> Management > Refresh Mode</p>

Indicator and status	Problem and solutions
	Preparing for monitoring or quick startup mode. All features are disabled.
Off	<p>Standby, sleep mode, or monitoring.</p> <p>When you press the power button, projection starts.</p>
Flashing orange	<p>Laser has a problem.</p> <p>Turn the projector off, unplug it, and contact Epson for help.</p> <p>A fan or sensor has a problem.</p> <p>Turn the projector off, unplug it, and contact Epson for help.</p> <p>Internal projector error</p> <p>Turn the projector off, unplug it, and contact Epson for help.</p>
Lit orange	<p>Projector has overheated and turned off. Leave it turned off to cool down for 5 minutes.</p> <ul style="list-style-type: none"> • Make sure that the vents and air filter are not clogged with dust or obstructed by nearby objects. • Make sure the environmental temperature is not too hot. • Clean or replace the air filter. • If operating the projector at high altitude, set the High Altitude Mode setting to On in the projector's Installation menu. • If the problem persists, unplug the projector and contact Epson for help. <p>Laser warning</p> <p>Turn the projector off, unplug it, and contact Epson for help.</p>

Indicator and status	Problem and solutions
	<p data-bbox="443 284 972 312">Low air flow through the air filter or the projector.</p> <ul data-bbox="443 328 1032 507" style="list-style-type: none"><li data-bbox="443 328 1032 389">• Make sure that the vents and air filter are not clogged with dust or obstructed by nearby objects.<li data-bbox="443 405 779 434">• Clean or replace the air filter.<li data-bbox="443 450 1032 507">• If the problem persists, unplug the projector and contact Epson for help.

► Related Links

- "Projector Administration Settings - Management Menu" [p.129](#)
- "Cleaning the Air Filter " [p.145](#)
- "Replacing the Air Filter" [p.147](#)

Check the solutions in these sections if you have any problems with projected images or sound.

► Related Links

- "Solutions When No Image Appears" [p.159](#)
- "Solutions When "No Signal" Message Appears" [p.160](#)
- "Solutions When "Not Supported" Message Appears" [p.160](#)
- "Solutions When Only a Partial Image Appears" [p.161](#)
- "Solutions When the Image is not Rectangular" [p.161](#)
- "Solutions When the Image Contains Noise or Static" [p.162](#)
- "Solutions When the Image is Fuzzy or Blurry" [p.162](#)
- "Solutions When the Image Brightness or Colors are Incorrect" [p.163](#)
- "Solutions When an Afterimage Remains on the Projected Image" [p.163](#)
- "Solutions to Sound Problems" [p.163](#)
- "Solutions When Image and Sound are not in Sync" [p.163](#)
- "Solutions When Image File Names are not Displayed Correctly in PC Free" [p.164](#)
- "Solutions When You Cannot Project Images Using the PC Free Feature" [p.164](#)

Solutions When No Image Appears

If no image appears, try the following solutions:

- Press the [Blank] button on the remote control to see if the image was temporarily turned off.
- Make sure all necessary cables are securely connected and the power is on for the projector and connected video sources.
- Connect the video source directly to the projector.
- If you are projecting from a streaming media player, make sure it is powered by the power supply USB cable on the projector.
- Make sure the connected device meets the HDMI CEC standard. See the documentation supplied with the device for more information.

- If you are projecting from a laptop computer, make sure it is set up to display on an external monitor.
- Press the projector's power button to wake it from standby or sleep mode. Also, check if the connected computer is in sleep mode or displaying a blank screen saver.
- If the projector does not respond when you press the control panel buttons, the buttons may be locked for security. Unlock the buttons from the **Control Panel Lock** or **Child Lock** setting in the projector's **Management** menu, or use the remote control to turn on the projector.
- If the projector does not respond when you press any buttons on the projector, an internal error may have occurred in the projector. Contact Epson for help.
- Adjust the **Brightness** setting in the projector's **Image** menu for individual image colors.
- Adjust the brightness of your projector's light source.
 - ☛ **Operation > Light Source Brightness Control**
- Make sure the **Messages** setting is set to **On** in the projector's **Display** menu.
- The projector may not be able to project copyrighted videos that you play back on a computer. For more details, see the manual supplied with the computer.
- For images projected with Windows Media Center, reduce the screen size from full screen mode.
- For images projected from applications using Windows DirectX, turn off DirectX functions.

► Related Links

- "Unlocking the Projector's Buttons" [p.96](#)
- "Projector Administration Settings - Management Menu" [p.129](#)
- "Input Signal Settings - Signal I/O Menu" [p.122](#)
- "Image Quality Settings - Image Menu" [p.120](#)
- "Projector Feature Settings - Operation Menu" [p.127](#)
- "Projector Display Settings - Display Menu" [p.126](#)

Solutions When "No Signal" Message Appears

If the **No Signal** message appears, try the following solutions:

- Press the [Source] button on the control panel and wait a few seconds for an image to appear.
- Turn on the connected computer or video source, and press play to begin your presentation, if necessary.
- Check that all cables required for projection are securely connected.
- If you are projecting from a laptop computer, make sure it is set up to display on an external monitor.
- If necessary, turn off the projector and the connected computer or video source, and then turn them back on.
- Set the CEC function for the connected device again and restart the device.
- If you are projecting from an HDMI source, replace the HDMI cable with the shorter one.
- If the other solutions do not solve the problem, reset all of the projector settings using **Reset All** on the **Initial/All Settings** menu.

► Related Links

- "Displaying From a Windows Laptop" [p.160](#)
- "Displaying From a Mac Laptop" [p.160](#)

Displaying From a Windows Laptop

If the message **No Signal** is displayed when projecting from a laptop, you need to set up the Windows laptop to display on an external monitor.

- 1** Hold down the Windows key and press **P** on your keyboard at the same time, then click **Duplicate**.

- 2** If the same image is not displayed by the laptop and projector, check the Windows **Display** utility to make sure the external monitor port is enabled and extended desktop mode is disabled.

- 3** If necessary, check your video card settings and set the multiple display option to **Mirror** or **Duplicate**.

Displaying From a Mac Laptop

If the message **No Signal** is displayed when projecting from a Mac laptop, you need to set up the laptop for mirrored display. (See your laptop manual for details.)

- 1** Open the **System Preferences** utility and select **Displays**.
- 2** Select the **Display** or **Color LCD** option, if necessary.
- 3** Click the **Arrange** or **Arrangement** tab.
- 4** Select **Mirror Displays**.

Solutions When "Not Supported" Message Appears

If the message **Not supported** is displayed, try the following solutions:

- Make sure the correct input signal is selected in the projector's **Signal I/O** menu.
- Make sure the computer's display resolution does not exceed the projector's resolution and frequency limits. If necessary, select a different display resolution for your computer.

- If you are projecting from an HDMI source, change the **HDMI IN EQ Level** setting in the projector's **Signal I/O** menu. After changing the setting, you may need to restart the projector. Follow the on-screen instructions.
- If you are projecting using a thumb-sized media streaming device, set the **HDMI IN EQ Level** setting to **Auto** in the projector's **Signal I/O** menu. If a problem occurs, change the setting.

► Related Links

- "Input Signal Settings - Signal I/O Menu" [p.122](#)
- "Supported Monitor Display Resolutions" [p.174](#)

Solutions When Only a Partial Image Appears

If only a partial computer image appears, try the following solutions:

- Make sure you selected the correct **Screen Type** setting in the projector's **Installation** menu for the screen you are using.
If there are margins between the edge of the image and the projected screen frame, adjust the position of the image.
- If you have adjusted the image size using the **Digital Zoom** setting in the projector's **Installation** menu, perform **Image Shift** to adjust the image position.
☛ **Installation > Digital Zoom > Image Shift**
- Press the [Aspect] button on the remote control to select a different image aspect ratio.
- Check your computer display settings to disable dual display and set the resolution within the projector's limits.
- Check the resolution assigned to your presentation files to see if they are created for a different resolution.
- When projecting in Content Playback mode, make sure you are using the appropriate **Overlay Effect** settings.
☛ **Operation > Content Playback > Overlay Effect**

- Make sure you selected the correct **Projection** setting in the projector's **Installation** menu.

► Related Links

- "Projector Installation Settings - Installation Menu" [p.124](#)
- "Adjusting the Image Position Using Screen Position" [p.48](#)
- "Image Quality Settings - Image Menu" [p.120](#)
- "Supported Monitor Display Resolutions" [p.174](#)
- "Adding Effects to Your Projected Image" [p.90](#)

Solutions When the Image is not Rectangular

If the projected image is not evenly rectangular, try the following solutions:

- Place the projector directly in front of the center of the screen, facing it squarely, if possible.
 - Adjust the **Quick Corner** setting to correct the image shape.
☛ **Installation > Geometry Correction > Quick Corner**
 - Adjust the **Arc Correction** setting to correct the image shape projected on a curved surface.
☛ **Installation > Geometry Correction > Arc Correction**
 - Adjust the **Point Correction** setting to correct slight distortion which occurs partially.
☛ **Installation > Geometry Correction > Point Correction**
- ## ► Related Links
- "Correcting the Image Shape with Quick Corner" [p.54](#)
 - "Correcting Image Shape with Arc Correction" [p.57](#)
 - "Correcting Image Shape with Point Correction" [p.59](#)

Solutions When the Image Contains Noise or Static

If the projected image contains electronic interference (noise) or static, try the following solutions:

- Check the cables connecting your computer or video source to the projector. They should be:
 - Separated from the power cord to prevent interference
 - Securely connected at both ends
 - Not connected to an extension cable
- Adjust the **Noise Reduction** and **MPEG Noise Reduction** settings in the projector's **Image** menu.
 - ☛ **Image > Image Enhancement > Noise Reduction**
 - ☛ **Image > Image Enhancement > MPEG Noise Reduction**
- Select a computer video resolution and refresh rate that are compatible with the projector.
- If you adjusted the image shape using the projector controls, try decreasing the **Sharpness** setting in the projector's **Image** menu to improve image quality.
- If you connected an extension power cable, try projecting without it to see if it caused interference in the signal.
- Make sure you selected the correct **EDID** setting in the projector's **Signal I/O** menu, if available for your image source.
- Change the **HDMI IN EQ Level** setting in the projector's **Signal I/O** menu.



If you connected an A/V system that does not support eARC/ARC to the HDMI2 (eARC/ARC) port, the image may be distorted.

▶▶ Related Links

- "Image Quality Settings - Image Menu" [p.120](#)
- "Supported Monitor Display Resolutions" [p.174](#)

- "Input Signal Settings - Signal I/O Menu" [p.122](#)

Solutions When the Image is Fuzzy or Blurry

If the projected image is fuzzy or blurry, try the following solutions:

- Display a test pattern and use it to adjust the image focus using the focus lever.
- Position the projector close enough to the screen.
- Position the projector so the keystone adjustment angle is not so wide that it distorts the image.
- Clean the projection window.



To avoid condensation on the lens after bringing the projector in from a cold environment, let the projector warm up to room temperature before using it.

- Adjust the **Sharpness** setting in the projector's **Image** menu to improve image quality.
- If you are projecting from a computer, use a lower resolution or select a resolution that matches the projector's native resolution.

▶▶ Related Links

- "Focusing the Image Using the Focus Lever" [p.52](#)
- "Cleaning the Projection Window" [p.142](#)
- "Image Quality Settings - Image Menu" [p.120](#)
- "Input Signal Settings - Signal I/O Menu" [p.122](#)
- "Supported Monitor Display Resolutions" [p.174](#)

Solutions When the Image Brightness or Colors are Incorrect

If the projected image is too dark or light, or the colors are incorrect, try the following solutions:

- Press the [Color Mode] button on the remote control to try different color modes for the image and environment.
- Check your video source settings.
- Adjust the available settings in the projector's **Image** menu for the current input source, such as **Brightness**, **Contrast**, **Tint**, **Color Saturation**, and **RGBCMY**.
- Make sure you selected the correct **Dynamic Range** setting in the projector's **Signal I/O** menu.
- Make sure you selected the correct **Signal Format** or **EDID** setting in the projector's **Signal I/O** menu, if available for your image source.
- Make sure all the cables are securely connected to the projector and your video device. If you connected long cables, try connecting shorter cables.
- Position the projector close enough to the screen.

► Related Links

- "Adjusting Image Quality (Color Mode)" [p.68](#)
- "Image Quality Settings - Image Menu" [p.120](#)
- "Input Signal Settings - Signal I/O Menu" [p.122](#)
- "Projector Administration Settings - Management Menu" [p.129](#)

Solutions When an Afterimage Remains on the Projected Image

If you see an afterimage in the projected image, use the **Refresh Mode** feature to clear it. Select **Refresh Mode** > **Start** in the projector's **Management** menu.

► Related Links

- "Projector Administration Settings - Management Menu" [p.129](#)

Solutions to Sound Problems

If there is no sound or the volume is too low or high, try the following solutions:

- Check the cable connections between the projector and your video/audio source.
- Check your video/audio source to make sure the volume is turned up and the audio output is set for the correct source.
- If you are using an eARC/ARC-compatible A/V system, check the following items:
 - Make sure your A/V system is connected to the projector's eARC/ARC compatible HDMI port. See the *Supplemental A/V Support Specification* for eARC/ARC audio supported formats.
 - Make sure the cable meets the HDMI CEC standard.
 - Make sure the connected A/V system meets the HDMI CEC standard. See the documentation supplied with the device for more information.

► Related Links

- "Projector Connections" [p.28](#)
- "Input Signal Settings - Signal I/O Menu" [p.122](#)

Solutions When Image and Sound are not in Sync

If there is no sound or the volume is too low or high, try the following solutions:

- When **Image Processing** is set to **Fine** in the projector's **Signal I/O** menu, set **Frame Interpolation** to **Off** in the projector's **Image** menu.
- Set **Image Processing** to **Fast** in the projector's **Signal I/O** menu.
- Select the sound output settings of the video devices connected to the projector. For details, see the documentation supplied with your video device.

Solutions When Image File Names are not Displayed Correctly in PC Free

If any file names are longer than the display area or include unsupported symbols, the file names are shortened or changed in PC Free. Shorten or change the file name.

Solutions When You Cannot Project Images Using the PC Free Feature

If you are using a USB device with a slow transfer speed, you may not be able to project movies correctly.

Check the solutions in these sections if you have problems operating the projector or remote control.

▶▶ Related Links

- "Solutions to Projector Power or Shut-Off Problems" [p.165](#)
- "Solutions to Problems with the Remote Control" [p.165](#)
- "Solutions to Password Problems" [p.166](#)
- "Solution When "The Battery that Saves Your Clock Settings is Running Low" Message Appears" [p.166](#)

Solutions to Projector Power or Shut-Off Problems

If the projector does not turn on when you press the power button or it turns off unexpectedly, try the following solutions:

- Make sure the power cord is securely connected to the projector and to a working electrical outlet.
- If the power button on the remote control does not turn on the projector, check its batteries and make sure at least one of the remote receivers are available in the **Remote Receiver** setting in the projector's **Installation** menu.
- The projector's buttons may be locked for security. Unlock the buttons from the **Control Panel Lock** or **Child Lock** setting in the projector's **Management** menu, or use the remote control to turn on the projector.
- If the projector's light source turns off unexpectedly, it may have entered sleep mode after a period of inactivity. Perform any operation to wake the projector. To turn off sleep mode, set the **Sleep Mode** setting to **Off** in the projector's **Operation** menu.
- If the projector's light source turns off and the status indicator is lit, the projector has overheated and turned off.
- The cooling fans may run in standby status depending on the projector settings. Also, when the projector wakes from standby status, the fans may cause an unexpected noise. This is not a malfunction.

- The power cord may be defective. Disconnect the cord and contact Epson for help.

▶▶ Related Links

- "Unlocking the Projector's Buttons" [p.96](#)
- "Projector Administration Settings - Management Menu" [p.129](#)
- "Projector Feature Settings - Operation Menu" [p.127](#)
- "Projector Installation Settings - Installation Menu" [p.124](#)

Solutions to Problems with the Remote Control

If the projector does not respond to remote control commands, try the following solutions:

- Check that the remote control batteries are installed correctly and have power. If necessary, replace the batteries.
- Make sure you are operating the remote control within the reception angle and range of the projector.
- Make sure the projector is not warming up or shutting down.
- Check to see if a button on the remote control is stuck down, causing it to enter sleep mode. Release the button to wake the remote control up.
- Strong fluorescent lighting, direct sunlight, or infrared device signals may be interfering with the projector's remote receivers. Dim the lights or move the projector away from the sun or interfering equipment.
- Make sure at least one of the remote receivers are available in the **Remote Receiver** setting in the projector's **Installation** menu.
- If the **Remote Receiver** setting is disabled, hold down the [Menu] button on the remote control for at least 15 seconds to reset the setting to its default.
- If you lose the remote control, you can order another one from Epson.

▶▶ Related Links

- "Installing Batteries in the Remote Control" [p.35](#)
- "Remote Control Operation" [p.36](#)

- "Projector Installation Settings - Installation Menu" [p.124](#)

Solutions to Password Problems

If you cannot enter or remember a password, try the following solutions:

- If you have entered an incorrect password too many times and see a message displaying a request code, write down the code and contact Epson for help. Provide the request code and proof of ownership for assistance in unlocking the projector.
- If you lose the remote control you cannot enter a password. Order a new one from Epson.

Solution When "The Battery that Saves Your Clock Settings is Running Low" Message Appears

If the message **The battery that saves your clock settings is running low.** is displayed, contact Epson for help.

If you cannot play back a playlist correctly, try the following solutions:

- Make sure **Content Playback** is set to **On**.

☛ **Operation > Content Playback**

- Make sure the USB flash drive contains a playlist.
- Make sure the USB flash drive is directly connected to the projector. Do not use a multi-card reader or a USB hub to expand a USB port.
- If the USB flash drive is partitioned, you may not be able to play back playlists. Delete all of the partitions before saving the playlists on the USB flash drive.
- Do not share a playlist between projectors that are different in resolution. Color and shape effects added by using **Overlay Effect** may not be reproduced correctly.

☛ **Operation > Content Playback > Overlay Effect**

▶▶ **Related Links**

- "Projector Feature Settings - Operation Menu" [p.127](#)
- "Getting the Latest Version of the Documents" [p.8](#)

Check the solutions in these sections if you have problems using the projector on a network.

▶▶ Related Links

- "Solutions When You Cannot Access the Projector Through the Web" [p.168](#)

Solutions When You Cannot Access the Projector Through the Web

If you are unable to access the projector through a Web browser, make sure you are using the correct ID and password.

- Make sure you use the following user IDs. (You cannot change the user IDs.)
 - To access the **Basic Control** option, enter **EPSONREMOTE**.
 - To access other options and save settings, enter **EPSONWEB**.
- For the infrastructure mode, make sure you have access to the network the projector is on.
- If your Web browser is set up to connect via a proxy server, the **Epson Web Control** screen cannot be displayed. Make settings for a connection without using a proxy server.
- If you set the **Standby Mode** setting to **Communication On** in the projector's **Operation** menu, make sure the network device is turned on. After turning on the network device, turn on the projector.



The user ID and password are case sensitive.

▶▶ Related Links

- "Network Menu - Network Settings Menu" [p.131](#)
- "Projector Feature Settings - Operation Menu" [p.127](#)

If you cannot operate the connected devices using the HDMI Link features, try the following solutions:

- Make sure the cable meets the HDMI CEC standard.
- Check if the device is available in the **Device Connections** list. If the device does not appear in the **Device Connections** list, it does not meet the HDMI CEC standards. Connect a different device.
 - ☛ **Signal I/O > HDMI Link > Device Connections**
- Check that all cables required for HDMI Link are securely connected.
- Make sure the connected devices are turned on and in standby status. See the documentation supplied with the device for more information.
- If you connect a new device or change the connection, set the CEC function for the connected device again and restart the device.

▶▶ Related Links

- "Input Signal Settings - Signal I/O Menu" [p.122](#)
- "HDMI Link Features" [p.80](#)

Appendix

Check these sections for the technical specifications and important notices about your product.

▶ **Related Links**

- "Optional Accessories and Replacement Parts" [p.171](#)
- "Screen Size and Projection Distance" [p.172](#)
- "Supported Monitor Display Resolutions" [p.174](#)
- "Projector Specifications" [p.175](#)
- "External Dimensions" [p.176](#)
- "Supported Features for Epson Projector Content Manager" [p.177](#)
- "List of Safety Symbols and Instructions" [p.178](#)
- "Laser Safety Information" [p.180](#)
- "Glossary" [p.183](#)
- "Notices" [p.185](#)

The following optional accessories and replacement parts are available. Please purchase these products as and when needed.

The following list of optional accessories and replacement parts is current as of October 2024.

Details of accessories are subject to change without notice and availability may vary depending on the country of purchase.

▶ Related Links

- "Screens" [p.171](#)
- "Mounts" [p.171](#)
- "External Devices" [p.171](#)
- "Replacement Parts" [p.171](#)

Screens

Ultra Short Throw Screen ELPSC35 (100")

Ultra Short Throw Screen ELPSC36 (120")

Screens to be installed on a wall. (Aspect ratio 16:9)

Mounts

Setting plate ELPMB75

Use when installing the projector on a wall.

Ceiling mount ELPMB22

Ceiling mount (Low profile) ELPMB30

Use when installing the projector on a ceiling.

Safety Wire Set ELPWR01

Use when connecting the projector to the installation mount to prevent the projector from falling down.

Ceiling pipe (450 mm) ELPFP13

Ceiling pipe (700 mm) ELPFP14

Use when installing the projector on a high ceiling.



Special expertise is required to suspend the projector from a ceiling. Contact Epson for help.

External Devices

Android TV™ device ELPAP12

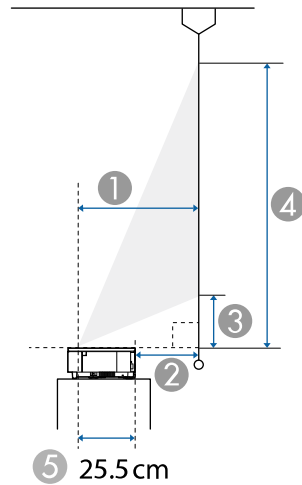
Use this streaming media player to watch online content.

Replacement Parts

Air filter ELPAP64

Use as a replacement for used air filters.

Check the table here to determine how far to place the projector from the screen based on the size of the projected image.



- ① Projection distance (cm)
- ② Distance from the back of the projector to the screen (cm)
- ③ Distance from the projector to the bottom of the screen (cm)
- ④ Distance from the projector to the top of the screen (cm)
- ⑤ Distance from the center of the lens to the rear of the projector (cm)

16:9 screen size		①	②	③	④
		Wide			
80"	177 × 100	27.8	2.3	10.8	110.4
90"	199 × 112	31.6	6	12.8	124.9
100"	221 × 125	35.3	9.8	14.9	139.4
110"	244 × 137	39	13.5	16.9	153.9
120"	266 × 149	42.8	17.3	19	168.4
140"	310 × 174	50.3	24.7	23	197.4

16:9 screen size		①	②	③	④
		Wide			
160"	354 × 199	57.8	32.2	27.1	226.4

4:3 screen size		①	②	③	④
		Wide			
66"	134 × 101	28.1	2.6	11	111.6
70"	142 × 107	29.9	4.4	12	118.7
80"	163 × 122	34.5	9	14.5	136.4
90"	183 × 137	39.1	13.6	17	154.1
100"	203 × 152	43.7	18.1	19.5	171.9
120"	244 × 183	52.8	27.3	24.4	207.3
130"	264 × 198	57.4	31.9	26.9	225.1

16:10 screen size		①	②	③	④
		Wide			
74"	159 × 100	27.8	2.3	10.8	110.4
80"	172 × 108	30.2	4.7	12.1	119.8
90"	194 × 121	34.3	8.8	14.3	135.5
100"	215 × 135	38.3	12.8	16.5	151.2
110"	237 × 148	42.4	16.9	18.7	166.8
120"	259 × 162	46.4	20.9	21	182.5
130"	280 × 175	50.5	24.9	23.2	198.2
148"	319 × 199	57.8	32.2	27.1	226.4

16:6 screen size		①	②	③	④
		Wide			
75"	178 × 67	28	2.5	27.6	94.5
80"	190 × 71	30	4.5	29.9	101.2
90"	214 × 80	34.1	8.5	34.3	114.5
100"	238 × 89	38.1	12.6	38.7	127.9
110"	262 × 98	42.1	16.6	43.1	141.2
120"	285 × 107	46.1	20.6	47.5	154.6
130"	309 × 116	50.1	24.6	52	167.9
148"	352 × 132	57.4	31.9	59.9	191.9

21:9 screen size		①	②	③	④
		Wide			
76"	177 × 76	27.9	2.3	22.7	98.8
80"	187 × 80	29.4	3.9	24.2	104.3
90"	210 × 90	33.4	7.9	27.9	118
100"	233 × 100	37.3	11.8	31.6	131.7
110"	257 × 110	41.3	15.8	35.3	145.4
120"	280 × 120	45.2	19.7	39.1	159.1
130"	304 × 130	49.2	23.7	42.8	172.9
151"	353 × 151	57.5	31.9	50.6	201.7

See the *Specifications* for detailed information on compatible refresh rates and resolutions for each compatible video display format.

Product name	EH-QS100B/EH-QS100W
Dimensions	695 (W) × 145 (H) × 341 (D) mm (not including raised section)
LCD panel size	0.62"
Display method	3LCD
Number of pixels	Full HD (1,920 (W) × 1,080 (H) dots) × 3
Screen resolution	4,147,200 pixels *
Focus adjustment	Manual
Light source	Laser diode
Light source output power	Up to 126 W
Wavelength	449 to 461 mm
Laser class	Class 4
Light source life **	Up to about 20,000 hours
Speaker	N/A
Power supply	100-240V AC±10% 50/60Hz 4.0 - 1.8 A
Power consumption (100 to 120 V area)	Operating power consumption: 346 W
Power consumption (220 to 240 V area)	Operating power consumption: 333 W
Standby power consumption	Communication On: 2.0 W Communication Off: 0.4 W
Operating altitude	Altitude 0 to 3,048 m
Operating temperature	Altitude of 0 to 2,286 m: 0 to +40°C (Humidity of 20 to 80%, No condensation) Altitude of 2,287 to 3,048 m: 0 to +35°C (Humidity of 20 to 80%, No condensation)
Storage temperature	-10 to +60°C (Humidity of 10 to 90%, No condensation)

Mass	Approx. 12.0 kg
------	-----------------

* Pixel shifting technology achieves 4K resolution on screen.

** Approximate time until the light source brightness decreases to half of its original value. (Assuming the projector is used in an atmosphere in which airborne particulate matter is less than 0.04 to 0.2mg/m3. The estimated time varies depending on the projector usage and operating conditions.)

This product is also designed for IT power distribution system with phase-to-phase voltage 230V.

The rating label is attached on the bottom of the projector.

Angle of tilt

There is no vertical or horizontal limit to how the projector can be installed.

▶▶ Related Links

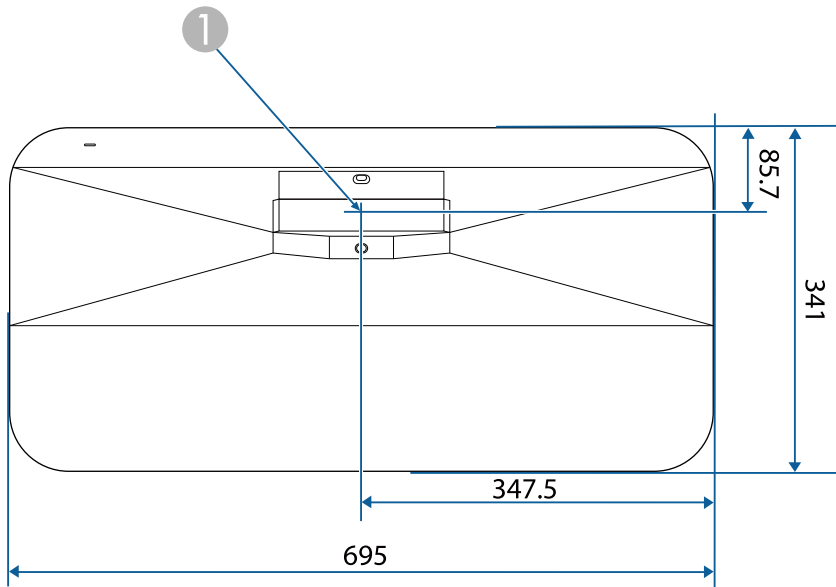
- "Connector Specifications" [p.175](#)

Connector Specifications

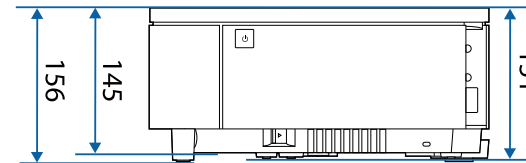
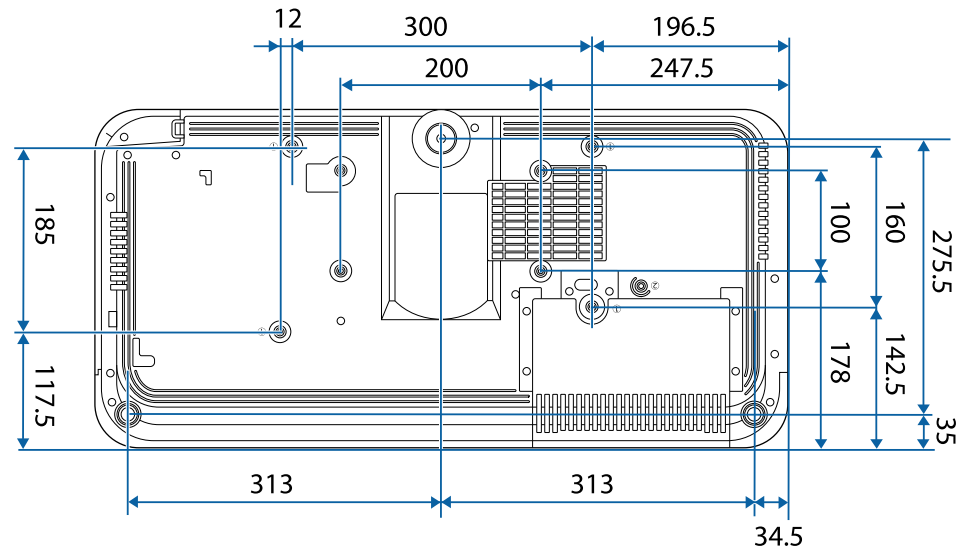
HDMI port	2	HDMI (Audio is only supported by PCM)
RS-232C port	1	Mini D-Sub 9-pin (male)
USB-A port	2	USB connector (Type A)
USB-B port	1	USB connector (Type B)
LAN port	1	RJ-45



- USB ports are not guaranteed to operate all devices that support USB.
- USB-B port does not support USB 1.1.



1 Center of the projection window

















The unit in these illustrations is mm.






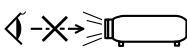


Your projector supports the following features and options of the Epson Projector Content Manager software.









Features/Options		EH-QS100B/EH-QS100W
Simultaneous playback		-
Save the playlist to the projector via a network		✓
Settings > Video Format	Auto Select	✓
	AVI Format	✓
	MP4 Format	✓

The following table lists the meaning of the safety symbols labeled on the equipment.

No.	Symbol mark	Approved standards	Description
1		IEC60417 No. 5007	"ON" (power) To indicate connection to the mains.
2		IEC60417 No. 5008	"OFF" (power) To indicate disconnection from the mains.
3		IEC60417 No. 5009	Stand-by To identify the switch or switch position by means of which part of the equipment is switched on in order to bring it into the stand-by condition.
4		ISO7000 No. 0434B, IEC3864-B3.1	Caution To identify general caution when using the product.
5		IEC60417 No. 5041	Caution, hot surface To indicate that the marked item can be hot and should not be touched without taking care.
6		IEC60417 No. 6042 ISO3864-B3.6	Caution, risk of electric shock To identify equipment that has risk of electric shock.
7		IEC60417 No. 5957	For indoor use only To identify electrical equipment designed primarily for indoor use.

No.	Symbol mark	Approved standards	Description
8		IEC60417 No. 5926	Polarity of d.c. power connector To identify the positive and negative connections (the polarity) on a piece of equipment to which a d.c. power supply may be connected.
9		—	The same as No. 8.
10		IEC60417 No. 5001B	Battery, general On battery powered equipment. To identify a device for instance a cover for the battery compartment, or the connector terminals.
11		IEC60417 No. 5002	Positioning of cell To identify the battery holder itself and to identify the positioning of the cell(s) inside the battery holder.
12		—	The same as No. 11.
13		IEC60417 No. 5019	Protective earth To identify any terminal which is intended for connection to an external conductor for protection against electric shock in case of a fault, or the terminal of a protective earth electrode.
14		IEC60417 No. 5017	Earth To identify an earth (ground) terminal in cases where neither the symbol No. 13 is explicitly required.

No.	Symbol mark	Approved standards	Description
15		IEC60417 No. 5032	Alternating current To indicate on the rating plate that the equipment is suitable for alternating current only; to identify relevant terminals.
16		IEC60417 No. 5031	Direct current To indicate on the rating plate that the equipment is suitable for direct current only; to identify relevant terminals.
17		IEC60417 No. 5172	Class II equipment To identify equipment meeting the safety requirements specified for Class II equipment according to IEC 61140.
18		ISO 3864	General prohibition To identify actions or operations that are prohibited.
19		ISO 3864	Contact prohibition To indicate injury that could occur due to touching a specific part of the equipment.
20		—	Never look into the optical lens while the projector is on.
21		—	To indicate that the marked item don't place anything on projector.
22		ISO3864 IEC60825-1	Caution, laser radiation To indicate the equipment has a laser radiation part.

No.	Symbol mark	Approved standards	Description
23		ISO 3864	Disassembly prohibition To indicate a risk of injury, such as electric shock, if the equipment is disassembled.
24		IEC60417 No. 5266	Standby, partial standby To indicate that part of the equipment is in the ready status.
25		ISO3864 IEC60417 No. 5057	Caution, movable parts To indicate that you must keep away from movable parts according to protection standards.
26		IEC60417 No. 6056	Caution (Moving Fan Blades) As a safety precaution, stay away from the moving fan blades.
27		IEC60417 No. 6043	Caution (Sharp Corners) To indicate sharp corners that should not be touched.
28		—	To indicate that looking into the lens while projecting is prohibited.
29		ISO7010 No. W027 ISO 3864	Warning, Optical radiation (such as UV, visible radiation, IR) Taking care to avoid injury to eyes and skin when in the vicinity of optical radiation.
30		IEC60417 No. 5109	Not to be used in residential areas. To identify electrical equipment which is not suitable for a residential area.

This projector is a Class 1 laser product that complies with the IEC60825-1:2014 and EN60825-1:2014 + A11:2021 international standards for lasers.

Follow these safety instructions when using the projector.

Warning

- Do not open the projector's case. The projector contains a high-powered laser.
- Possibly hazardous optical radiation emitted from this product. Do not look at operating light source. Eye injury may result.

Caution

Do not disassemble the projector when disposing of it. Dispose according to your local or national laws and regulations.



The projector uses a laser as the light source. The laser has the following characteristics.

- Depending on the surroundings, the brightness of the light source may decline. The brightness declines a lot when the temperature gets too high.
- The brightness of the light source declines the longer it is used. You can change the relationship between usage time and decline in brightness settings.

▶ Related Links

- "Laser Warning Labels" [p.180](#)

Laser Warning Labels

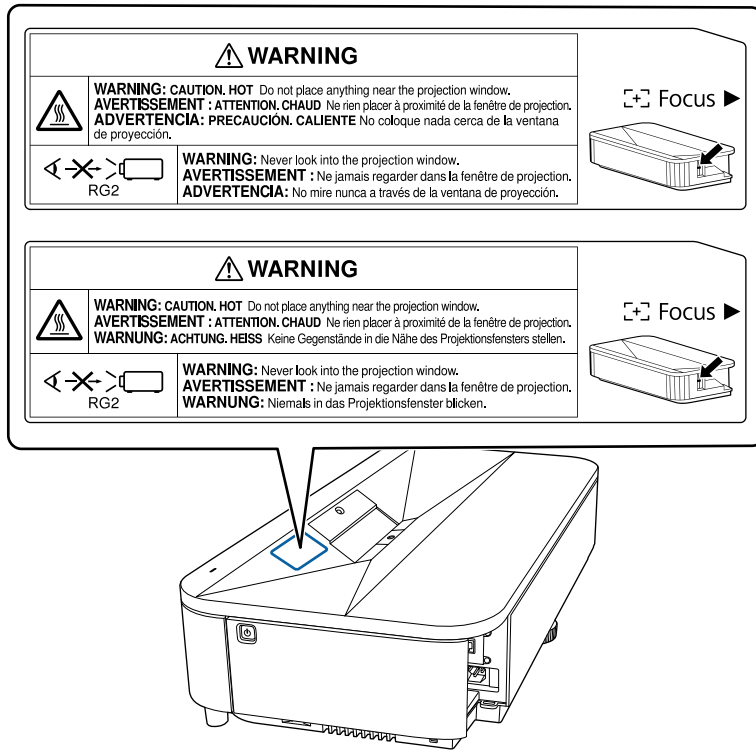
Laser warning labels are attached on the projector.

Inside



Top

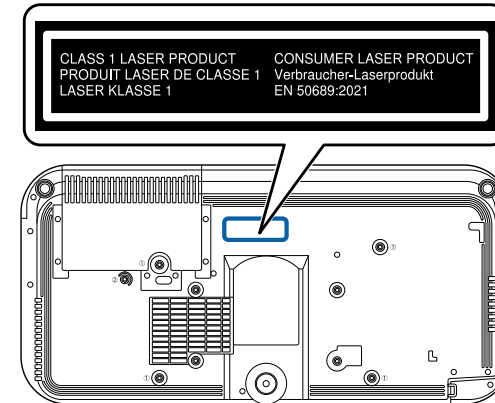
As with any bright source, do not stare into the beam, RG2 IEC/EN 62471-5:2015.



Warning

- Never look into the projector lens when the laser is on. This can damage your eyes and is especially dangerous for children and pets.
- When turning on the projector at a distance using the remote control, make sure no one is looking into the lens.
- Do not allow small children to operate the projector. Children must be accompanied by an adult.
- Do not look into the lens during projection. Also, do not look into the lens using optical devices, such as a magnifying glass or telescope. This could cause visual impairment.

Bottom



This projector is a consumer Class 1 laser product that complies with EN50689:2021 standard.

This product projects images onto walls, screens, and so on.

The label attached on the projector varies depending on the countries and regions.

For North/South America

This projector is a Class 1 laser product that complies with the IEC/ EN60825-1:2014 international standard for lasers. Follow these safety instructions when using the projector.

Complies with FDA performance standards for laser products except for conformance as a Risk Group 2 LIP as defined in IEC 62471-5: Ed. 1.0. For more information see Laser Notice No. 57, dated May 8, 2019.

Rating Labels (EH-QS100W, EH-QS100B)

The rating label contains the certification and identification information for the projector.

EPSON LCD PROJECTOR MODEL: HB49A

CLASS 1 LASER PRODUCT
PRODOTTO LASER DE CLASSE 1

S/N: [REDACTED]

100-240V~, 50/60Hz, 4.0 - 1.8A

WARNING

WARNING: Never open any covers on the projector except as specifically explained in the projector manual. Dangerous electrical voltages inside the projector can severely injure you.

AVERTISSEMENT : N'ouvrez jamais les couvercles du projecteur, à moins d'indication contraire dans le manuel du projecteur. Des tensions électriques dangereuses présentes à l'intérieur du projecteur peuvent causer des blessures graves.

ADVERTENCIA: Nunca abra las tapas del proyector a menos que así se especifica en el manual del proyector. El voltaje eléctrico dentro del proyector es peligroso y puede causar lesiones graves.

CANICES (B) / NMB (B)

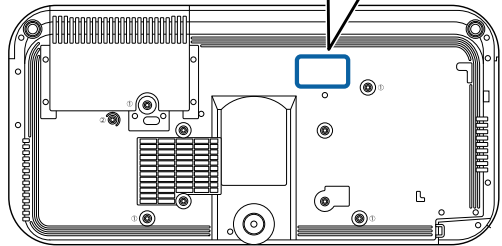
This device complies with part 15 of the FCC Rules. Operation is subject to the following conditions: (1) This device may not cause harmful interference, and (2) This device must accept any interference received, including interference that may cause undesired operation.

Conformément de la norme CEI 60950-1, le fabricant s'engage à garantir la sécurité des personnes et des biens en cas d'incendie ou de dommages matériels causés par l'appareil.

4885 Transparenzagentur, Nagano 3940005, Japan

SEIKO EPSON CORP.
Made in PHILIPPINES





This section briefly explains the difficult terms that are not explained in the text of this guide. For details, refer to other commercially available publications.

AMX Device Discovery	AMX Device Discovery is a technology developed by AMX to facilitate AMX control systems for easy operation of the target equipment. Epson have implemented this protocol technology, and have provided a setting to enable the protocol function (ON). See the AMX Web site for more details. URL http://www.amx.com/
Aspect Ratio	The ratio between an image's length and its height. Screens with a horizontal:vertical ratio of 16:9, such as HDTV screens, are known as wide screens. SDTV and general computer displays have an aspect ratio of 4:3.
Contrast	The relative brightness of the light and dark areas of an image can be increased or decreased to make text and graphics stand out more clearly, or to make them appear softer. Adjusting this particular property of an image is called contrast adjustment.
DHCP	An abbreviation of Dynamic Host Configuration Protocol, this protocol automatically assigns an IP address to equipment connected to a network.
Full HD	A screen size standard with a resolution of 1,920 (horizontal) × 1,080 (vertical) dots.
Gateway Address	This is a server (router) for communicating across a network (subnet) divided according to subnet mask.
HDCP	HDCP is an abbreviation for High-bandwidth Digital Content Protection. It is used to prevent illegal copying and protect copyrights by encrypting digital signals sent over DVI and HDMI ports. Because the HDMI port on this projector supports HDCP, it can project digital images protected by HDCP technology. However, the projector may not be able to project images protected with updated or revised versions of HDCP encryption.

HDMI™	An abbreviation for High Definition Multimedia Interface. HDMI™ is a standard aimed at digital consumer electronics and computers. This is the standard by which HD images and multichannel audio signals are digitally transmitted. By not compressing the digital signal, the image can be transferred at the highest quality possible. It also provides an encryption function for the digital signal.
HDTV	An abbreviation for High-Definition Television that refers to high-definition systems which satisfy the following conditions: <ul style="list-style-type: none"> • Vertical resolution of 720p or 1080i or greater (p = Progressive, i = Interlace) • Screen aspect ratio of 16:9
Interlace	Transmits information needed to create one screen by sending every other line, starting from the top of the image and working down to the bottom. Images are more likely to flicker because one frame is displayed every other line.
IP Address	A number to identify a computer connected to a network.
Progressive	Projects information to create one screen at a time, displaying the image for one frame. Even though the number of scan lines is the same, the amount of flicker in images decreases because the volume of information has doubled compared with an interlace system.
Refresh Rate	The light-emitting element of a display maintains the same luminosity and color for an extremely short time. Because of this, the image must be scanned many times per second to refresh the light-emitting element. The number of refresh operations per second is called the Refresh rate and is expressed in hertz (Hz).
SDTV	An abbreviation for Standard Definition Television that refers to standard television systems which do not satisfy the conditions for HDTV High-Definition Television.

sRGB	An international standard for color intervals that was formulated so that colors that are reproduced by video equipment can be handled easily by computer operating systems (OS) and the Internet. If the connected source has an sRGB mode, set both the projector and the connected signal source to sRGB.
Subnet Mask	This is a numerical value that defines the number of bits used for the network address on a divided network (subnet) from the IP address.
WUXGA	A screen size standard with a resolution of 1,920 (horizontal) × 1,200 (vertical) dots.

Check these sections for important notices about your projector.

► **Related Links**

- "FCC Compliance Statement" [p.185](#)
- "Indication of the manufacturer and the importer in accordance with requirements of EU directive" [p.186](#)
- "Indication of the manufacturer and the importer in accordance with requirements of United Kingdom directive" [p.186](#)
- "Restriction of Use" [p.186](#)
- "Operating System References" [p.186](#)
- "Trademarks" [p.187](#)
- "Copyright Notice" [p.187](#)
- "Copyright Attribution" [p.187](#)

FCC Compliance Statement

Supplier's DECLARATION of CONFORMITY
 According to 47CFR, Part 2 and 15
 Class B Personal Computers and Peripherals; and/or
 CPU Boards and Power Supplies used with Class B Personal Computers

We: Epson America, Inc.

Located at: 3131 Katella Avenue, Los Alamitos, CA

Tel: 562-981-3840

Declare under sole responsibility that the product identified herein, complies with 47CFR Part 2 and 15 of the FCC rules as a Class B digital device. Each product marketed, is identical to the representative unit tested and found to be compliant with the standards. Records maintained continue to reflect the equipment being produced can be expected to be within the variation accepted, due to quantity production and testing on a statistical basis as required by 47CFR 2.906. Operation is subject to the following two conditions: (1) this device may not cause harmful interference, and (2) this device must accept

any interference received, including interference that may cause undesired operation.

Trade Name: EPSON

Type of Product: LCD Projector

Model: HB49A

Options:

Product name	Model
Remote controller	2232830 xx (x=0-9)

FCC Compliance Statement For United States Users

This device complies with part 15 of the FCC Rules. Operation is subject to the following two conditions: (1) This device may not cause harmful interference, and (2) this device must accept any interference received, including interference that may cause undesired operation.

This equipment has been tested and found to comply with the limits for a Class B digital device, pursuant to Part 15 of the FCC Rules. These limits are designed to provide reasonable protection against harmful interference in a residential installation. This equipment generates, uses, and can radiate radio frequency energy and, if not installed and used in accordance with the instructions, may cause harmful interference to radio communications. However, there is no guarantee that interference will not occur in a particular installation. If this equipment does cause interference to radio and television reception, which can be determined by turning the equipment off and on, the user is encouraged to try to correct the interference by one or more of the following measures.

- Reorient or relocate the receiving antenna.
- Increase the separation between the equipment and receiver.
- Connect the equipment into an outlet on a circuit different from that to which the receiver is connected.
- Consult the dealer or an experienced radio/TV technician for help.

WARNING

The connection of a non-shielded equipment interface cable to this equipment will invalidate the FCC Certification or Declaration of this device and may cause interference levels which exceed the limits established by the FCC for this equipment. It is the responsibility of the user to obtain and use a shielded equipment interface cable with this device. If this equipment has more than one interface connector, do not leave cables connected to unused interfaces. Changes or modifications not expressly approved by the manufacturer could void the user's authority to operate the equipment.

For Canadian Users

CAN ICES(B) / NMB(B)

Indication of the manufacturer and the importer in accordance with requirements of EU directive

Manufacturer: SEIKO EPSON CORPORATION
 Address: 3-5, Owa 3-chome, Suwa-shi, Nagano-ken 392-8502 Japan
 Telephone: 81-266-52-3131
<http://www.epson.com/>

Importer: EPSON EUROPE B.V.
 Address: Atlas Arena, Asia Building, Hoogoorddreef 5,1101 BA Amsterdam Zuidoost
 The Netherlands
 Telephone: 31-20-314-5000
<http://www.epson.eu/>

Indication of the manufacturer and the importer in accordance with requirements of United Kingdom directive

Manufacturer: SEIKO EPSON CORPORATION
 Address: 3-5, Owa 3-chome, Suwa-shi, Nagano-ken 392-8502 Japan
 Telephone: 81-266-52-3131
<http://www.epson.com/>

Importer: Epson (UK) Ltd.
 Address: Westside, London Road, Hemel Hempstead, Hertfordshire, HP3 9TD,
 United Kingdom
<http://www.epson.co.uk>

Restriction of Use

When this product is used for applications requiring high reliability/safety such as transportation devices related to aviation, rail, marine, automotive etc.; disaster prevention devices; various safety devices etc; or functional/precision devices etc, you should use this product only after giving consideration to including fail-safes and redundancies into your design to maintain safety and total system reliability. Because this product was not intended for use in applications requiring extremely high reliability/safety such as aerospace equipment, main communication equipment, nuclear power control equipment, or medical equipment related to direct medical care etc, please make your own judgment on this product's suitability after a full evaluation.

Operating System References

- Microsoft® Windows® 8.1 operating system
- Microsoft® Windows® 10 operating system

- Microsoft® Windows® 11 operating system

In this guide, the operating systems above are referred to as "Windows 8.1", "Windows 10", and "Windows 11". Furthermore, the collective term "Windows" is used to refer to them all.

- macOS 10.13.x
- macOS 10.14.x
- macOS 10.15.x
- macOS 11.0.x
- macOS 12.0.x

In this guide, the operating systems above are referred to as "macOS 10.13.x", "macOS 10.14.x", "macOS 10.15.x", "macOS 11.0.x", and "macOS 12.0.x". Furthermore, the collective term "Mac" is used to refer to them all.

Trademarks

EPSON is a registered trademark of Seiko Epson Corporation.

Mac and macOS are trademarks of Apple Inc.

Microsoft, Windows, and the Windows logo are trademarks or registered trademarks of Microsoft Corporation in the United States and/or other countries.

App Store is a service mark of Apple Inc.

Chrome is a trademark of Google LLC.

HDMI, the HDMI Logo and High-Definition Multimedia Interface are trademarks or registered trademarks of HDMI Licensing Administrator, Inc.



"QR Code" is a registered trademark of DENSO WAVE INCORPORATED.

PJLink trademark is a trademark applied for registration or is already registered in Japan, the United States of America and other countries and areas.

Crestron®, Crestron Connected®, Crestron Fusion®, Crestron RoomView®, and Crestron XiO Cloud® are registered trademarks of Crestron Electronics, Inc.

Adobe and Adobe Reader are either registered trademarks or trademarks of Adobe Systems Incorporated in the United States and/or other countries.

Other product names used herein are also for identification purposes only and may be trademarks of their respective owners. Epson disclaims any and all rights in those marks.

Copyright Notice

All rights reserved. No part of this publication may be reproduced, stored in a retrieval system, or transmitted in any form or by any means, electronic, mechanical, photocopying, recording, or otherwise, without the prior written permission of Seiko Epson Corporation. No patent liability is assumed with respect to the use of the information contained herein. Neither is any liability assumed for damages resulting from the use of the information contained herein.

Neither Seiko Epson Corporation nor its affiliates shall be liable to the purchaser of this product or third parties for damages, losses, costs, or expenses incurred by the purchaser or third parties as a result of: accident, misuse, or abuse of this product or unauthorized modifications, repairs, or alterations to this product, or (excluding the U.S.) failure to strictly comply with Seiko Epson Corporation's operating and maintenance instructions.

Seiko Epson Corporation shall not be liable against any damages or problems arising from the use of any options or any consumable products other than those designated as Original Epson Products or Epson Approved Products by Seiko Epson Corporation.

The contents of this guide may be changed or updated without further notice. Illustrations in this guide and the actual projector may differ.

Copyright Attribution

This information is subject to change without notice.

© 2024 Seiko Epson Corporation

2024.10 414546500EN