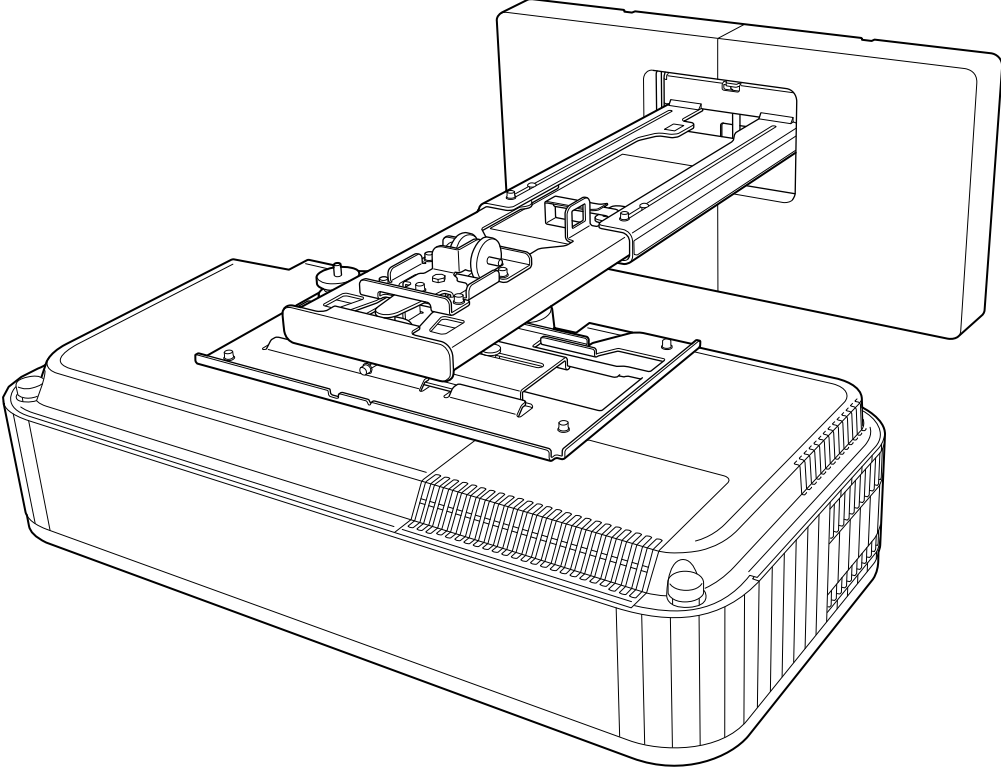


EPSON

EH-QS100B
EH-QS100W
ELPMB75

Installation Guide



Contents of this Guide

This guide explains how to install an ultra-short throw projector (EH-QS100B/EH-QS100W) using the setting plate (ELPMB75).

Tightening Torques for Screws

The following provides the tightening torque for each screw.

Screw Size	Recommended Tightening Torque N/m
M4	1.1 ± 0.1
M5	2.2 ± 0.2
M6	3.8 ± 0.3
M8	9.3 ± 0.8
M10	18.4 ± 1.7

About This Installation Guide

Contents of this Guide 1

Tightening Torques for Screws 1

Introduction

Using the Product Safely 3

Safety Indications 3

Explanation of Symbols 3

Package Contents 4

Setting Plate 4

 Main Mount 4

 Accessories 5

Necessary Items 6

Figures of Installation Dimensions 7

Installing the Setting Plate

Notes on Installing the Setting Plate 8

Cautions on the Installation Location of the Setting Plate 12

Setting Plate Specifications 13

External Dimensions 14

Adjustment Range 16

 Vertical slide 16

 Horizontal slide 17

 Forward/backward slide 17

Mini PC Installation Plate 18

Installing the Setting Plate 19

Attaching the Mount 20

 Determining the installation position
 (projection distance tables) 20

 Attaching the adjustment unit to the
 projector 33

 Install the wall plate on the wall 34

 Install the arm unit on the wall plate 36

 Attach the adjustment unit to the arm unit
 41

 Attaching peripheral devices 42

Adjusting the Position of the Projected Image
..... 44

Preparations before adjusting 45

Performing mechanical adjustment using
the Setting Plate Installation Guide 46

Adjusting using the projector menus 49

Attaching the Covers 55

Attaching a Security Cable 57

Attaching the Safety Wire 58

Setting the Projector

Batch Setup Function 60

Setup Using a USB flash drive 60

 Saving settings to the USB flash drive 60

 Copying saved settings to other projectors
 61

Setup by Connecting the Computer and
Projector with a USB Cable 62

 Saving settings to a computer 62

 Copying saved settings to other projectors
 62

When Setup Fails 63

Appendix

List of Safety Symbols 64

General Notice 67

Using the Product Safely



For your safety, read all the instructions in this guide before using this product. Incorrect handling that ignores instructions in this guide could damage this product or could result in personal injury or property damage. Keep this installation guide at hand for future reference.

Read the *User's Guide* and *Safety Instructions* for your projector and follow the instructions in these documents.




Safety Indications

The documentation and this product use graphical symbols to show how to use this product safely.

The indications and their meaning are as follows. Make sure you understand them properly before reading the guide.

Symbol	Explanation
 Warning	This symbol indicates information that, if ignored, could possibly result in personal injury or even death due to incorrect handling.
 Caution	This symbol indicates information that, if ignored, could possibly result in personal injury or physical damage due to incorrect handling.

Explanation of Symbols

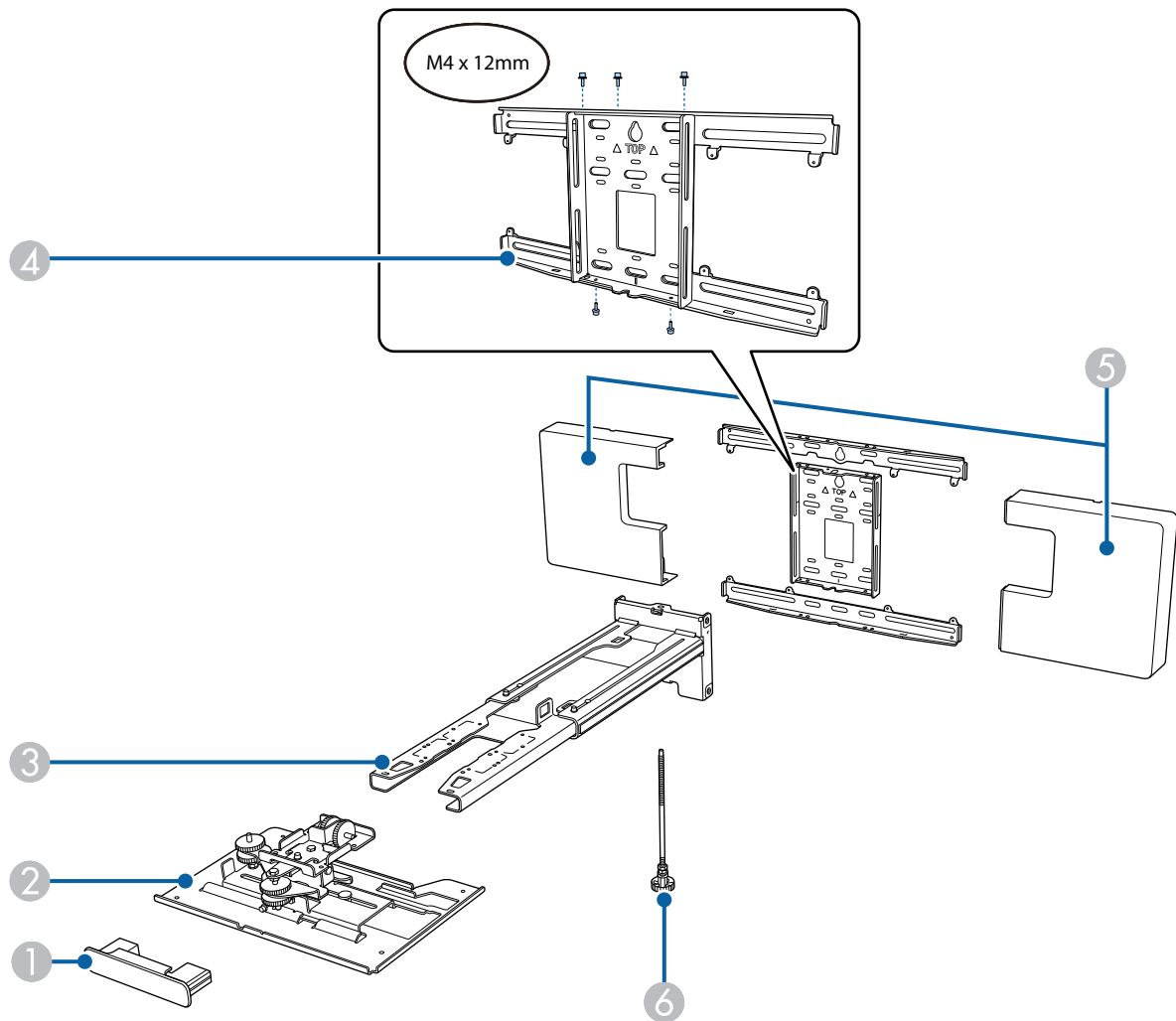
Symbols	Explanation
	Symbol indicating an action that must not be done
	Symbol indicating an action that should be done
	Symbol indicating related or useful information

Package Contents

Confirm that you have all necessary items before beginning installation.

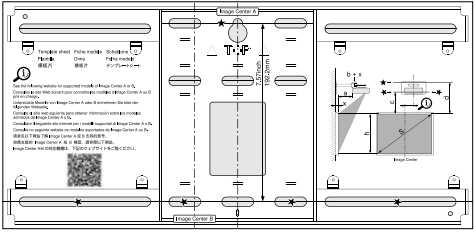
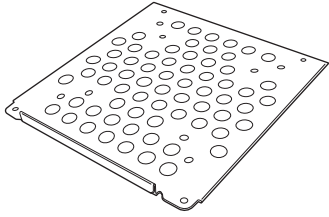


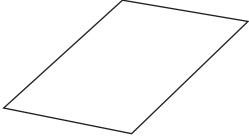
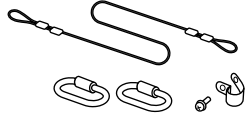

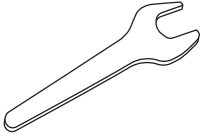


Setting Plate




Main Mount



No.	Part name
①	End cap
②	Adjustment unit
③	Arm unit
④	Wall plate
⑤	Wall plate cover
⑥	Hexagonal axis

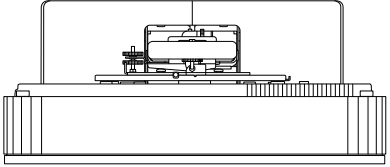
Accessories

Part	Name	Application
	Template sheet	Attach this to the wall before attaching the wall plate, and use it to drill necessary holes.
	Mini PC plate	Attach this to the wall plate when installing a mini PC or stick PC.
	Mini PC belt	Secure the PC to the plate when attaching a mini PC or a stick PC that cannot be attached using screws.
	Cable binding belt	Secure excess cables after performing wiring.
	Masking sticker	Stick this over the groove in the arm unit to cover it up after installing.
	Safety wire set	Connect to the setting plate and the projector to prevent the projector from falling.
	Hexagon wrench (for M4)	-
	Spanner (No. 13 for M6)	-
	M4 x 12 mm hexagon socket head cap bolt with washer/spring washer (x13)	<ul style="list-style-type: none"> Assemble the wall plate as shown in the figure on p.4 (x5) Secure the adjustment unit to the projector (x4) Secure the adjustment unit to the arm unit (x4)
	Rubber caps	Attach to the brackets in the foot section.

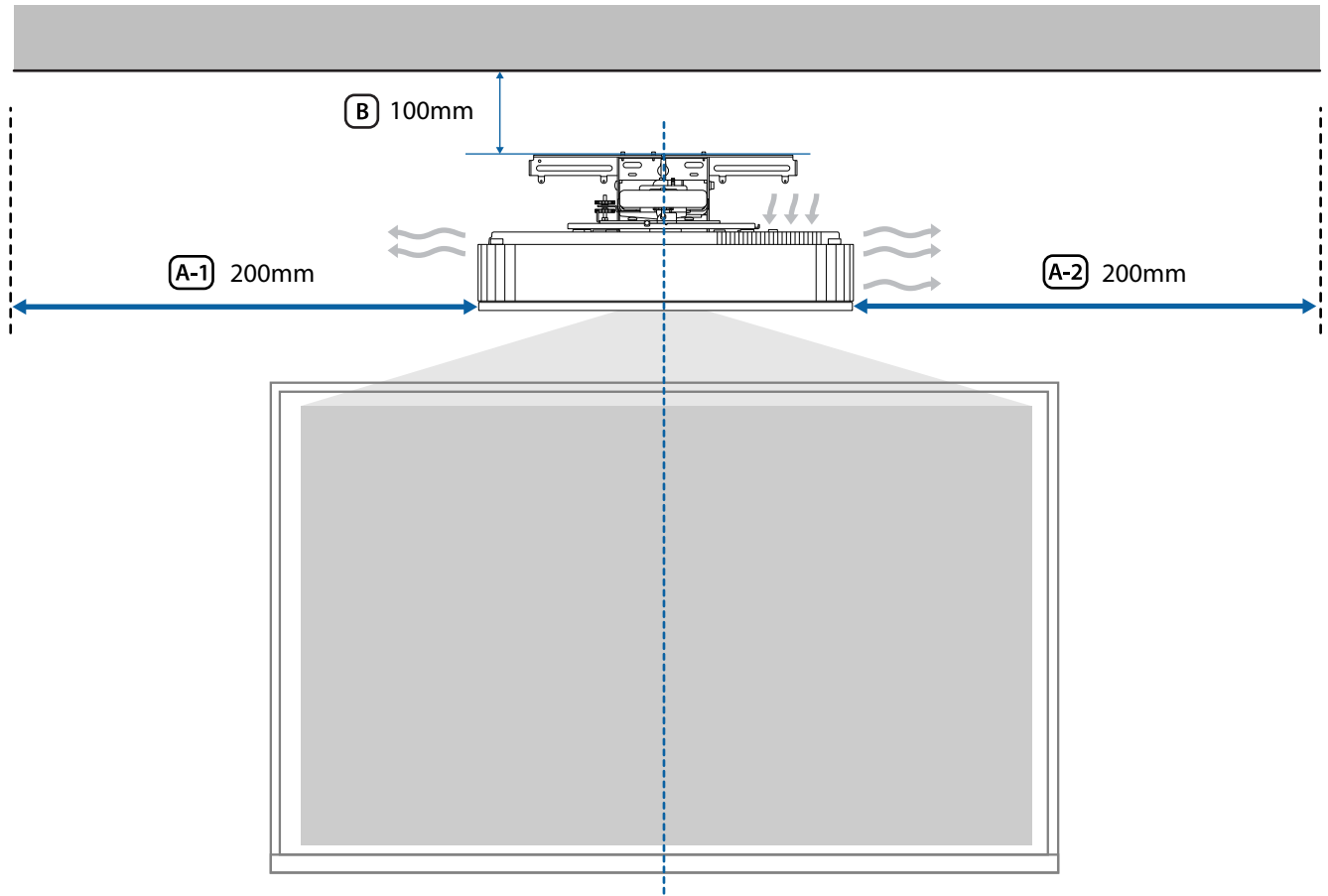
Part	Name	Application
	M6 x 20 mm hexagon shoulder head bolt with washer/spring washer (x1)	Secure the arm unit to the wall plate.
	M6 x 20 mm cross recessed head shoulder screws with plastic washers (x3)	
	M3 x 6 mm cross recessed head shoulder screws (x4)	Secure the mini PC plate to the wall plate.

Necessary Items

As well as the items supplied, you also need to prepare the following screws and tools.

Applicable parts	Necessary items
	<p>For the setting plate</p> <ul style="list-style-type: none"> • M10 or 3/8 inch x 60 mm anchor bolts (for securing the wall plate: at least x4) • M10 screw (for securing the wall plate temporarily: x1) • 17 mm ratchet wrench (for adjusting hexagonal axis) • Cables to connect to the projector • Devices such as mini PCs

Figures of Installation Dimensions













 **Caution**













When installing the projector, make sure there is a gap between the wall and the projector's air exhaust and intake vents. (See figure **A-1** and **A-2** above)



Leaving a gap of approximately 100 mm from the ceiling to the top of the wall plate makes it easier to install and remove the projector. (See figure **B** above)

Notes on Installing the Setting Plate

 Warning	
<p>The setting plate is exclusively for mounting the projector on a wall. If anything other than a projector is mounted, the weight may result in damage.</p> <p>If this product falls, it could cause death or personal injury.</p>	
<p>The installation work (wall mounting) should be performed by specialists who have technical knowledge and ability. Incomplete or incorrect installation could cause the product to fall and cause personal injury or property damage.</p>	
<p>Follow the steps in this guide to install the Wall mount, and be sure to use the bolts and screws specified in this guide.</p> <p>If the instructions are not followed, this product may fall, resulting in personal injury or an accident.</p>	
<p>Handle the power cord carefully.</p> <p>Incorrect handling may cause fire or electric shock. Observe the following precautions when handling:</p> <ul style="list-style-type: none"> • Do not handle the power plug with wet hands. • Do not use a power cord that is damaged or modified. • Do not pull the power cord with too much force when routing the cable through the arm unit. 	
<p>Do not install the setting plate in a place where it might be subjected to vibration or shock.</p> <p>This could cause damage to the projector or mounting surface. If this product falls, it could cause death or personal injury.</p>	
<p>When installing on a wall, install so that it can sufficiently support the mass of the projector and the setting plate and resist any horizontal vibration. Use M10 or 3/8 inch x 60 mm nuts and bolts.</p> <p>Nuts and bolts smaller than M10 or 3/8 inch x 60 mm could cause the setting plate to fall. Epson accepts no responsibility for any damage or injury caused by lack of wall strength or inadequate installation.</p>	
<p>The installation work should be performed by at least two qualified service personnel. If you need to loosen any screws during installation, be careful not to drop this product.</p> <p>If this product falls, it could cause death or personal injury.</p>	
<p>When installing this product on a wall, the wall must be strong enough to hold the projector and the setting plate.</p> <p>This product should be installed on a concrete wall.</p> <p>The maximum combined weight of the projector and the setting plate is approximately 22.0 kg (not including cables).</p> <p>Ensure the strength of the wall before mounting this product on the wall. If the wall is not strong enough, reinforce the wall before installation.</p>	
<p>Inspect the setting plate on a regular basis to ensure there are no broken parts or loose screws.</p> <p>If any parts are damaged, stop using the setting plate immediately. If this product falls, it could cause death or personal injury.</p>	

 Warning	
<p>Do not disassemble or remodel this product.</p> <p>There are numerous high-voltage sections inside the product that could cause a fire, electric shock, or an accident.</p>	
<p>Do not hang on this product. Do not hang heavy objects on this product.</p> <p>If this product falls, it could cause death or personal injury.</p>	
<p>Do not use adhesives, lubricants, or oils to install or adjust the setting plate.</p> <p>If you use adhesives to prevent the screws from loosening or things such as lubricants or oils on the slide plate fixing part of the projector, the case may crack and cause the projector to fall, resulting in personal injury or property damage.</p>	
<p>Tighten all screws firmly after adjustment.</p> <p>Otherwise, the product may fall and cause personal injury or property damage.</p>	
<p>Never loosen the bolts and nuts after installation.</p> <p>Confirm that the screws have not become loose on a regular basis. If you find any loose screws, tighten them firmly. Otherwise, the product may fall and cause personal injury or property damage.</p>	
<p>Route the cables so that they are not interfered with the nuts and bolts.</p> <p>Incorrect handling of the cables may cause fire or electric shock.</p>	
<p>When turning on the projector, do not look into the projection lens.</p> <p>This could cause damage to eyesight due to the powerful light emitted. Take particular care when there are children present. When turning on the projector at a distance using the remote control, make sure there is no one looking into the projection lens.</p>	
<p>When using the projector, do not place any objects or put your hand near the projection lens.</p> <p>This area is dangerous as it reaches a high temperature due to the concentrated projection light.</p>	
<p>Do not use the projector in a location subject to combustible or explosive gas.</p> <p>High temperatures within the projector may cause ignition and a fire to occur.</p>	
<p>Only a specialist should remove or reinstall the projector, including for maintenance and repairs.</p> <p>See the projector's <i>User's Guide</i> for instructions on maintenance and repairs.</p>	
<p>If any abnormalities occur with this product, immediately disconnect the cables from the product, and then contact your local dealer or the nearest Epson service call center.</p> <p>Continuing to use the product in an abnormal condition could cause a fire, electric shock, or visual impairment.</p>	

 **Warning**

Laser warning labels have been attached to the inside and outside of the projector.

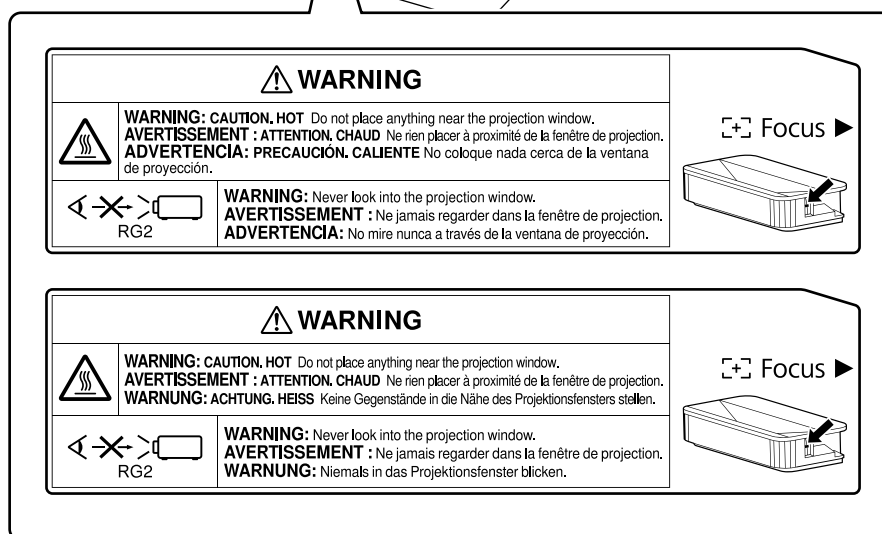
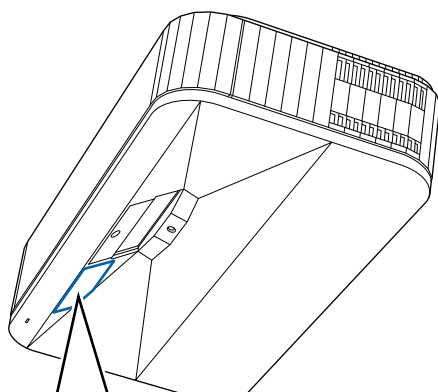



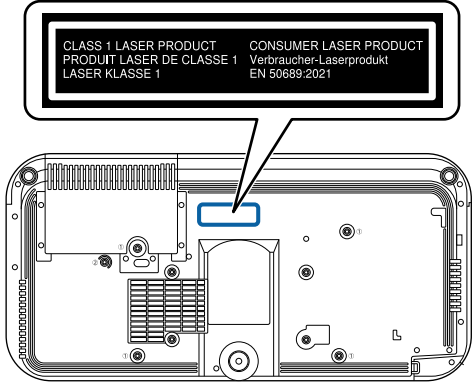









Internal









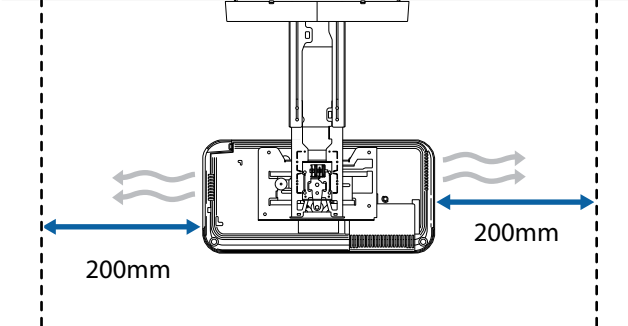
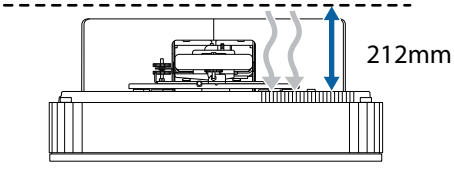



External

As with any bright source, do not stare into the beam, RG2 IEC/EN 62471-5:2015.



 Warning	
	
<p>Never open any cases on the projector. Electrical voltages inside the projector can cause severe injury.</p>	
<p>Do not look directly into the projector's light source. Possibly hazardous optical radiation emitted from this product. Eye injury may result.</p>	
 Caution	
<p>Do not install this product in a location where the operating temperature for your projector model may be exceeded. Such an environment may damage the projector.</p>	
<p>Install this product in a place free from excessive dust and humidity to prevent the lens or optical components from becoming dirty.</p>	
<p>Do not use excessive force when adjusting this product. This product may break, resulting in personal injury.</p>	
<p>This projector is a Class 1 laser product that complies with the IEC60825-1:2014 and EN60825-1:2014 + A11:2021 international standards for lasers.</p>	
<p>Do not disassemble the projector when disposing of it. Dispose according to your local or national laws and regulations.</p>	

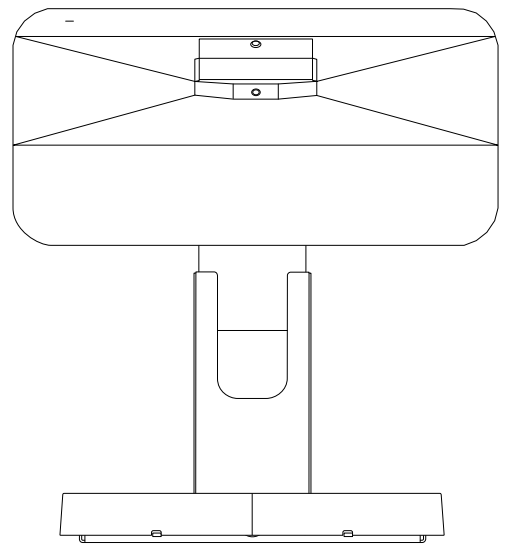
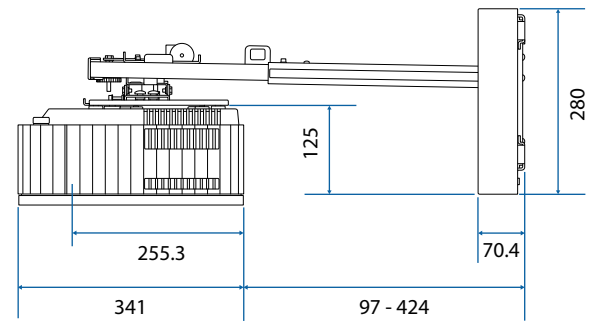
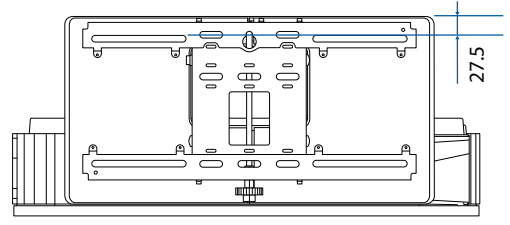
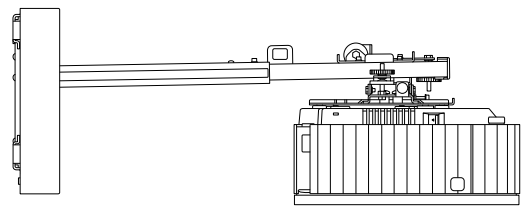
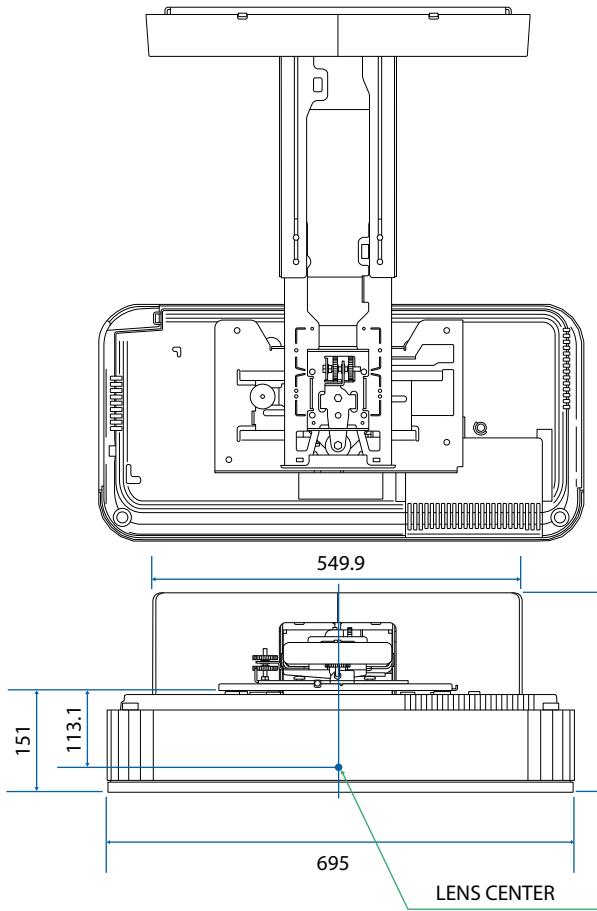
Cautions on the Installation Location of the Setting Plate

 Warning	
<p>Do not install in a location subject to oily smoke or smoke for events.</p> <p>If oils and so on stick to the slide plate fixing part of the projector, the case may crack and cause the projector to fall, resulting in personal injury or property damage.</p>	
 Caution	
<p>Carry out power supply wiring work at the installation location of the projector in advance.</p>	
<p>Install the projector away from other electric devices such as fluorescent lights or air conditioners.</p> <p>Some types of fluorescent lights could interfere with the remote control or the pen.</p>	
<p>When installing the projector, make sure there is a gap between the wall and the projector's air exhaust and intake vents as shown in the following image.</p>	
<div style="display: flex; justify-content: space-around; align-items: center;">   </div>	
<p>Install and adjust the projector at a room temperature that is close to the actual intended usage environment.</p> <p>If the temperature changes, the position of the image may shift.</p>	
<p>Install the projector so that it is tilted at an angle of no more than +3 degrees or -3 degrees vertically and horizontally in relation to the screen.</p>	
<p>We recommend using stick-on screens or board screens.</p>	

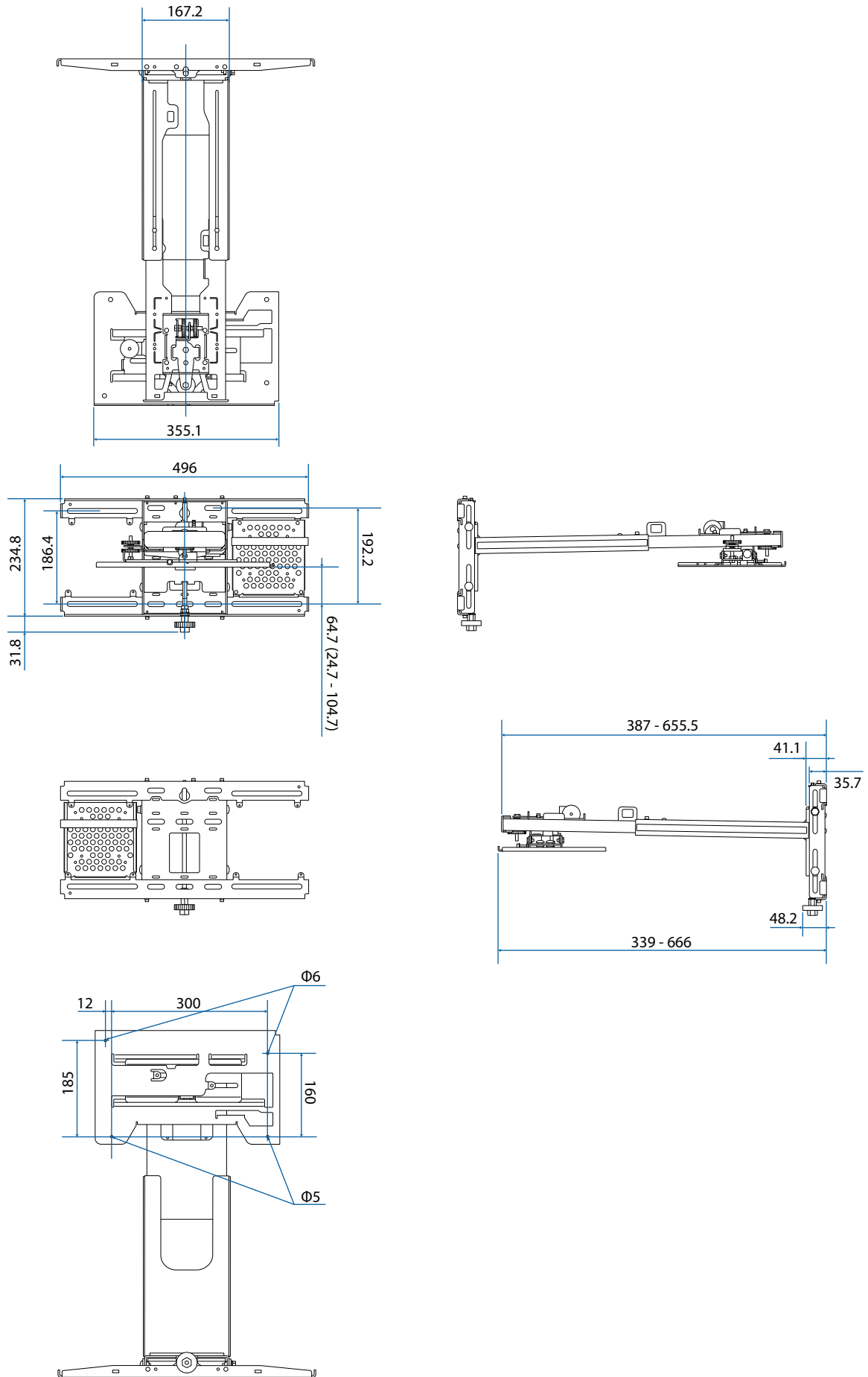
Setting Plate Specifications

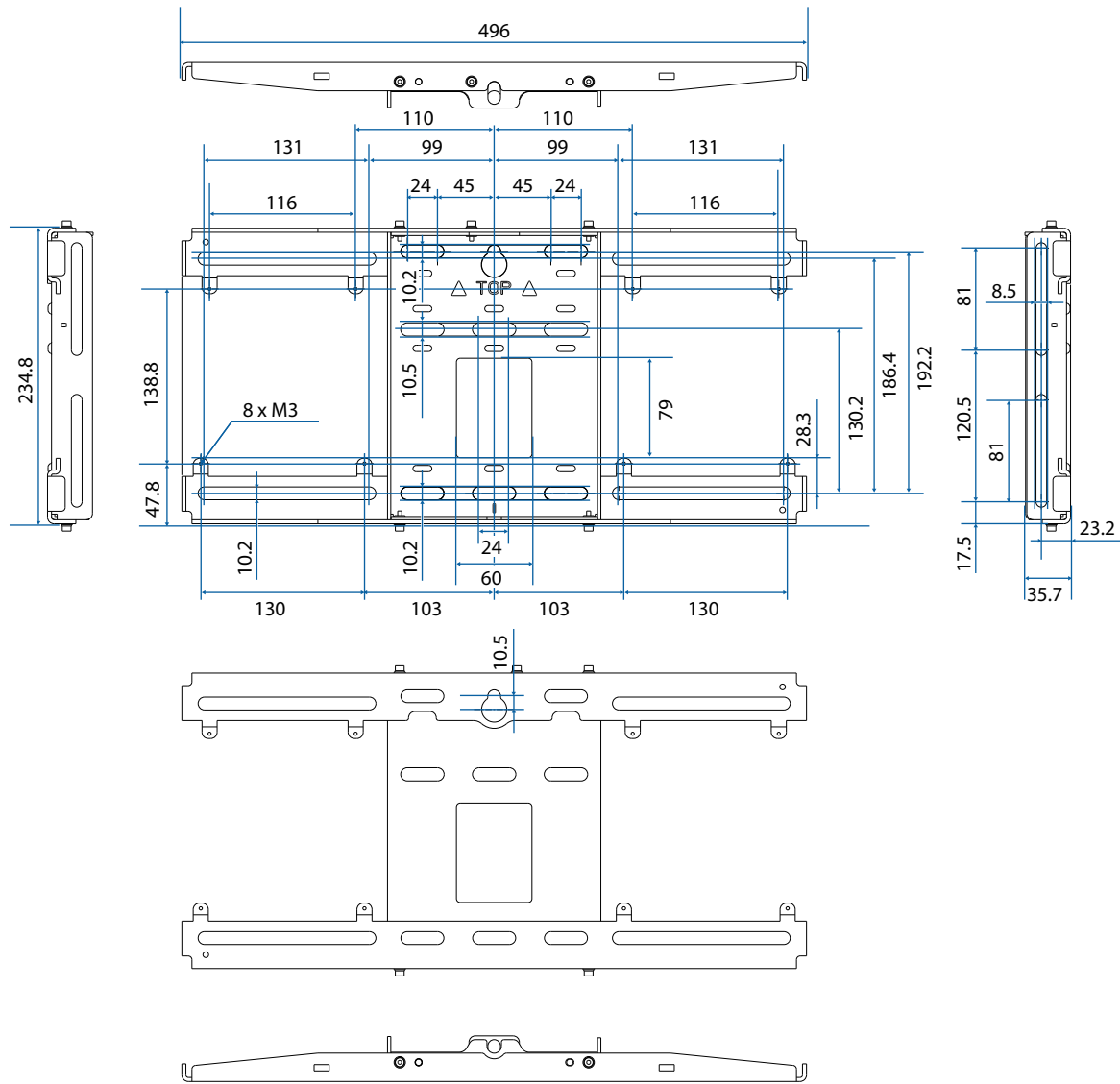
Item	Specification
Setting plate mass (arm unit, hexagonal axis, adjustment unit, wall plate, wall plate cover, end cap)	Approx. 9.5 kg
Maximum load capacity	15.0 kg

External Dimensions



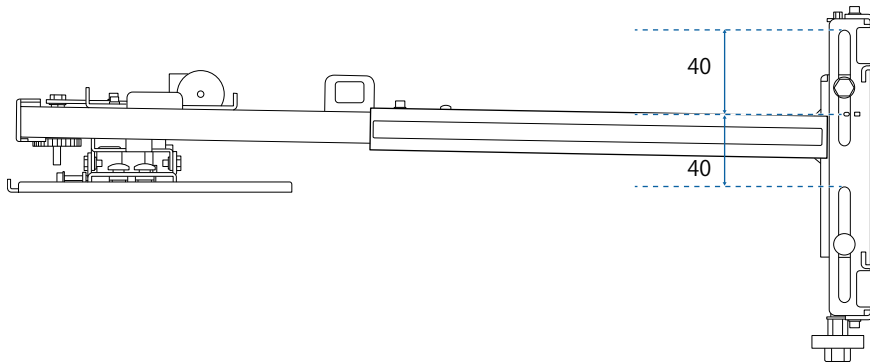
Installing the Setting Plate



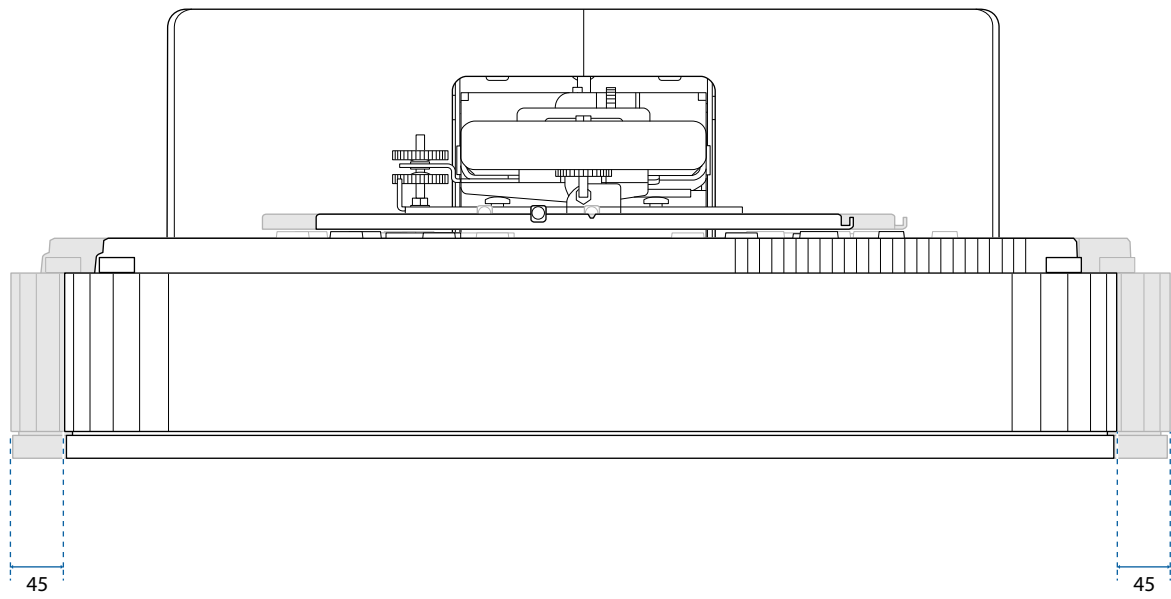


Adjustment Range

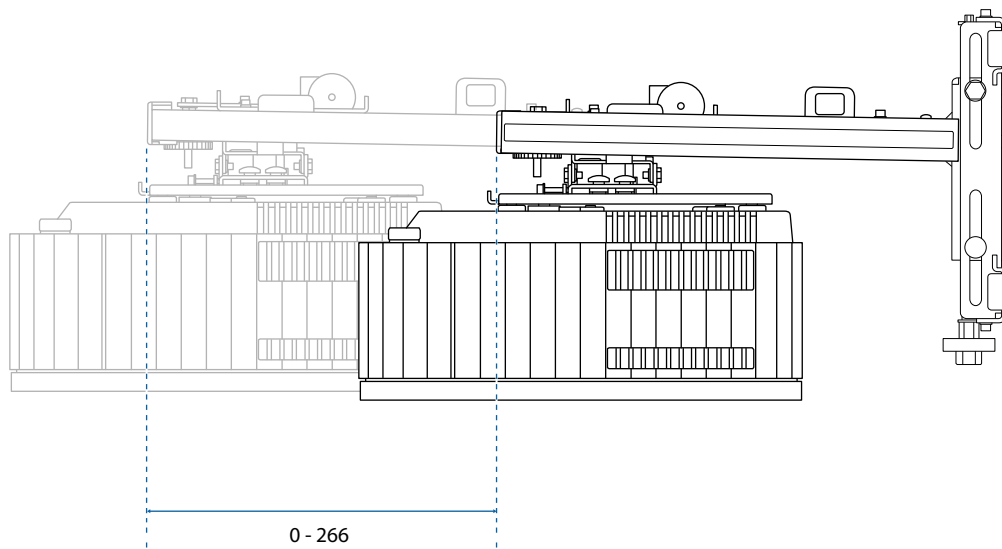
■ Vertical slide



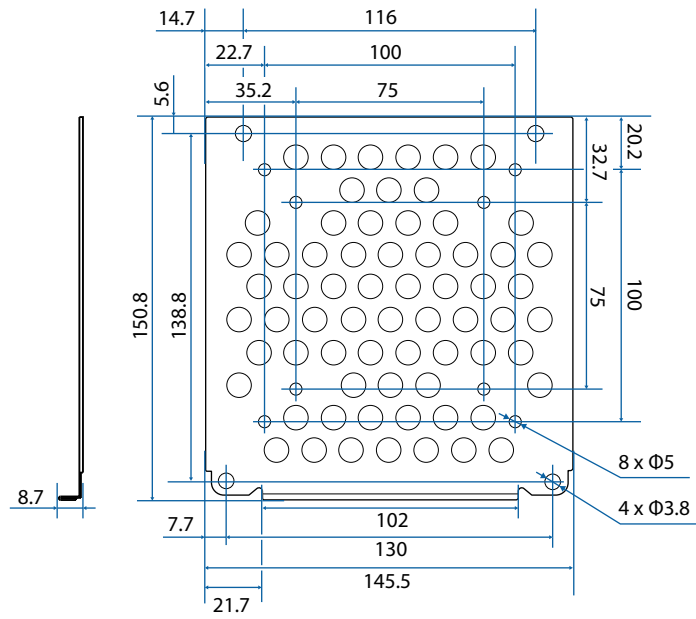
■ Horizontal slide



■ Forward/backward slide



Mini PC Installation Plate



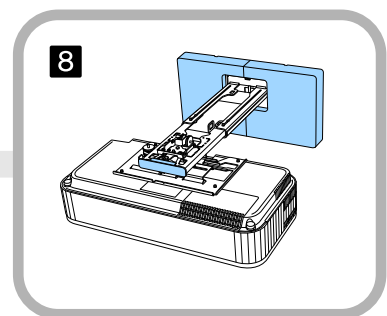
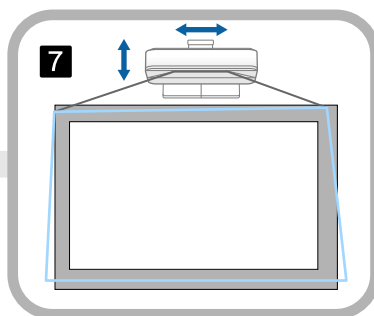
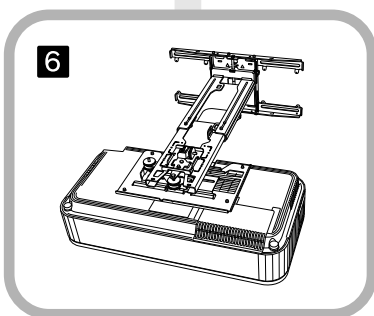
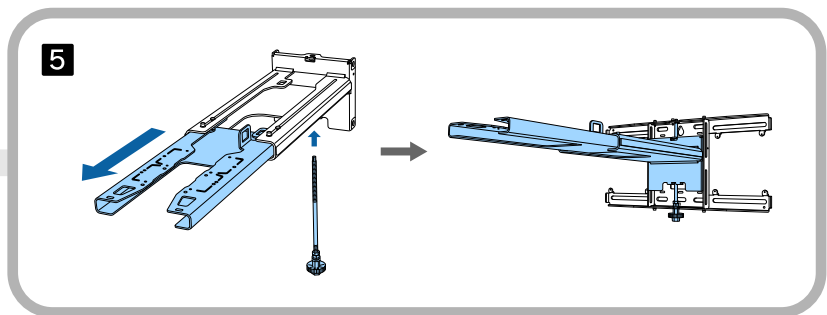
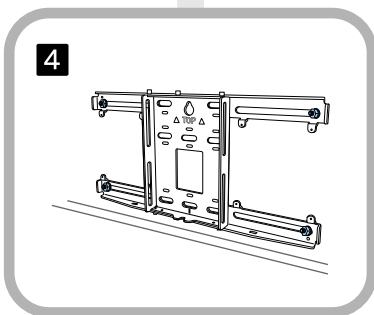
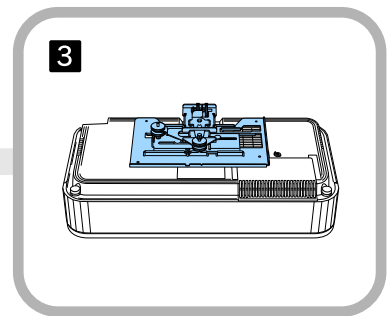
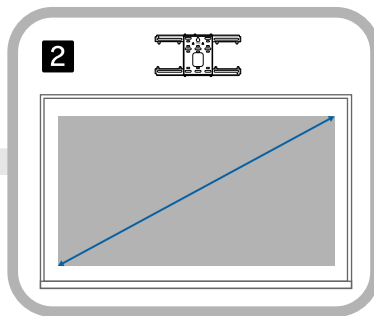
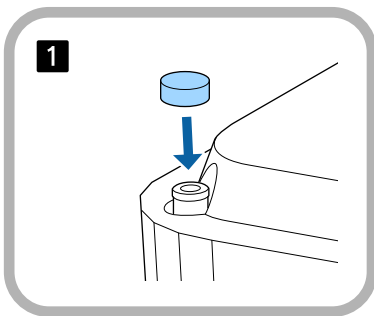
Item	Specification
Screw holes for installing PC (VESA compliant)	75 mm x 75 mm 100 mm x 100 mm
Supported PC sizes	Within 150 mm x 150 mm x 44 mm
Supported PC weight	0.7 kg or less

Installing the Setting Plate

Follow the work flow below to install the setting plate.

Route the cables before installing the wall mount according to your installation environment.

- 1 Remove the feet from the projector (3 places in total), and then attach the rubber caps to the front foot section.
- 2 Check the projection distance tables to determine the installation position (☞ p.20)
- 3 Attach the adjustment unit to the projector (☞ p.33)
- 4 Install the wall plate on the wall (☞ p.34)
- 5 Adjust the arm length of the arm unit, and then attach it to the wall plate (☞ p.36)
- 6 Attach the adjustment unit to the arm unit, and then connect the cables and peripheral devices (☞ p.41)
- 7 Adjust the position of the image (☞ p.44)
- 8 Attach the covers (☞ p.55)



Attaching the Mount

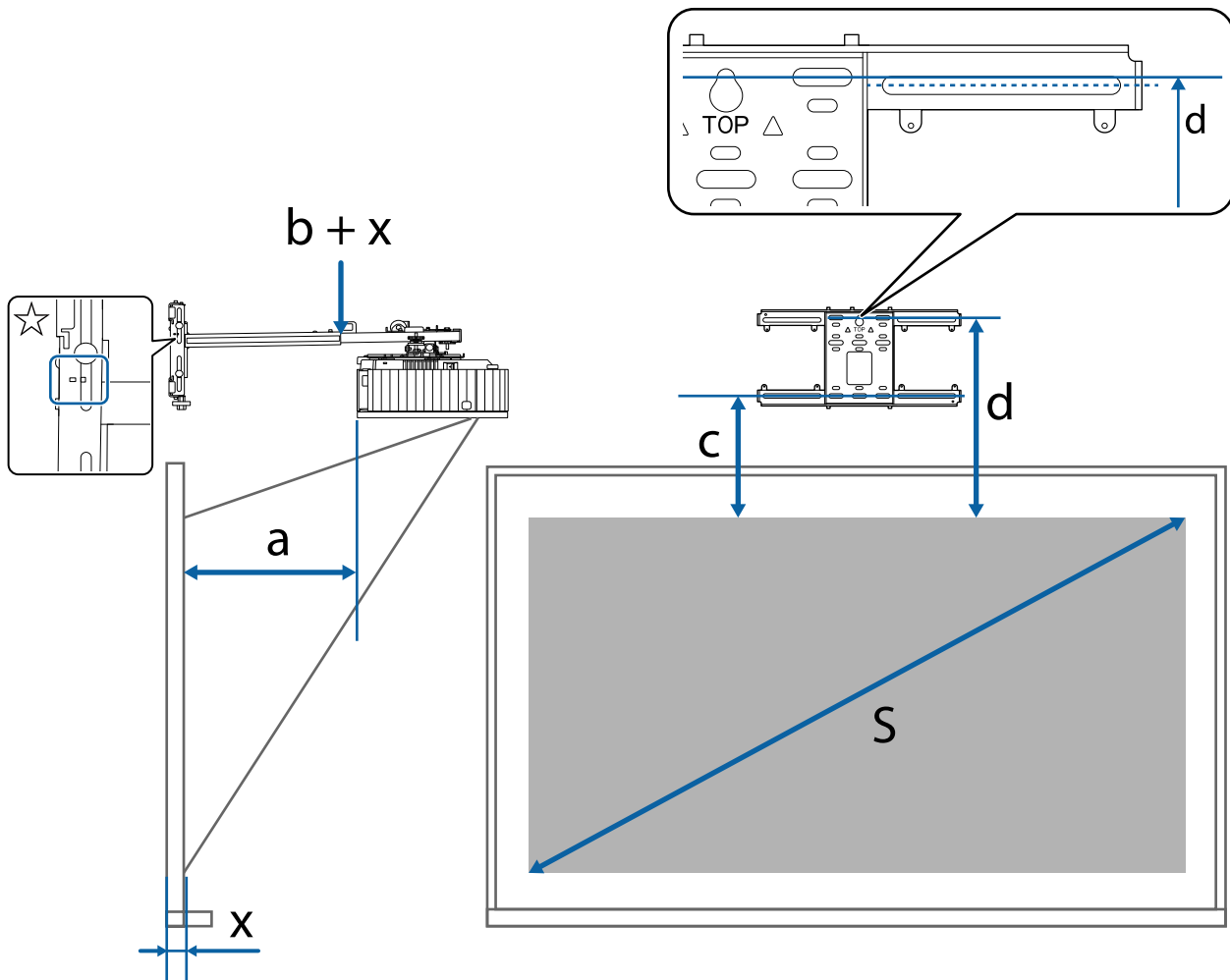
■ Determining the installation position (projection distance tables)

Determine the installation position of the wall plate according to the size of the screen (S) you want to project on to. See the following figure to check the values from a to d. This is the value when the arm unit is in the middle of the wall plate (see ☆ in the following illustration).



When viewing the projector from the front, the minimum and maximum projection sizes will be smaller if the projection surface is in front of the wall plate.

When viewing the projector from the front, the minimum and maximum projection sizes will be larger if the projection surface is behind the wall plate.



a: Minimum projection distance (Wide)

c: Distance from the top edge of the image to the installation screw hole for the wall plate at the bottom

b + x: Number on the arm slide scale on the arm unit (maximum 266 mm)

d: Distance from the top edge of the image to the temporary screw hole for the wall plate

x: Thickness from the wall plate installation surface to the projection surface

S: Projected image size

16:9 projected image

116 inches or less

[Unit: mm]

S	a	b	c	d	X
80"	23	73	193	385	+73 - +338
81"	26	70	195	387	+70 - +335
82"	30	66	197	389	+66 - +331
83"	34	62	199	391	+62 - +327
84"	38	58	201	393	+58 - +323
85"	41	55	203	395	+55 - +320
86"	45	51	205	397	+51 - +316
87"	49	47	207	399	+47 - +312
88"	53	43	209	401	+43 - +308
89"	56	40	212	404	+40 - +305
90"	60	36	214	406	+36 - +301
91"	64	32	216	408	+32 - +297
92"	68	28	218	410	+28 - +293
93"	71	25	220	412	+25 - +290
94"	75	21	222	414	+21 - +286
95"	79	17	224	416	+17 - +282
96"	83	13	226	418	+13 - +278
97"	86	10	228	420	+10 - +275
98"	90	6	230	422	+6 - +271
99"	94	2	232	424	+2 - +267

Installing the Setting Plate

S	a	b	c	d	X
100"	98	1	234	426	-2 - +264
101"	101	5	236	428	-6 - +260
102"	105	9	238	430	-10 - +256
103"	109	13	240	432	-14 - +252
104"	112	16	242	434	-17 - +249
105"	116	20	244	436	-21 - +245
106"	120	24	246	438	-25 - +241
107"	124	28	248	440	-29 - +237
108"	127	31	250	442	-32 - +234
109"	131	35	252	444	-36 - +230
110"	135	39	254	446	-40 - +226
111"	139	43	256	448	-44 - +222
112"	142	46	258	450	-47 - +219
113"	146	50	260	452	-51 - +215
114"	150	54	263	455	-55 - +211
115"	154	58	265	457	-59 - +207
116"	157	61	267	459	-62 - +204

117 inches or more

[Unit: mm]

S	a	b	c	d	X
117"	161	3	269	461	-4 - +262
118"	165	7	271	463	-8 - +258
119"	169	11	273	465	-12 - +254
120"	173	14	275	467	-15 - +251
121"	176	18	277	469	-19 - +247
122"	180	22	279	471	-23 - +243
123"	184	26	281	473	-27 - +239
124"	187	29	283	475	-30 - +236
125"	191	33	285	477	-34 - +232
126"	195	37	287	479	-38 - +228
127"	199	41	289	481	-42 - +224
128"	202	44	291	483	-45 - +221
129"	206	48	293	485	-49 - +217
130"	210	52	295	487	-53 - +213
131"	214	56	297	489	-57 - +209
132"	217	59	299	491	-60 - +206
133"	221	63	301	493	-64 - +202
134"	225	67	303	495	-68 - +198
135"	229	71	305	497	-72 - +194
136"	232	74	307	499	-75 - +191
137"	236	78	309	501	-79 - +187
138"	240	82	311	503	-83 - +183
139"	243	85	314	506	-86 - +180
140"	247	89	316	508	-90 - +176

Installing the Setting Plate

S	a	b	c	d	X
141"	251	93	318	510	-94 - +172
142"	255	97	320	512	-98 - +168
143"	258	100	322	514	-101 - +165
144"	262	104	324	516	-105 - +161
145"	266	108	326	518	-109 - +157
146"	270	112	328	520	-113 - +153
147"	273	115	330	522	-116 - +150
148"	277	119	332	524	-120 - +146
149"	281	123	334	526	-124 - +142
150"	285	127	336	528	-128 - +138
151"	288	130	338	530	-131 - +135
152"	292	134	340	532	-135 - +131
153"	296	138	342	534	-139 - +127
154"	300	142	344	536	-143 - +123
155"	303	145	346	538	-146 - +120
156"	307	149	348	540	-150 - +116
157"	311	153	350	542	-154 - +112
158"	315	157	352	544	-158 - +108
159"	318	160	354	546	-161 - +105
160"	322	164	356	548	-165 - +101

16:10 projected image

116 inches or less

[Unit: mm]

S	a	b	c	d	X
74"	23	73	193	385	+73 - +338
75"	27	69	195	387	+69 - +334
76"	31	65	198	390	+65 - +330
77"	35	61	200	392	+61 - +326
78"	39	57	202	394	+57 - +322
79"	43	53	204	396	+53 - +318
80"	47	49	206	398	+49 - +314
81"	51	45	209	401	+45 - +310
82"	55	41	211	403	+41 - +306
83"	59	37	213	405	+37 - +302
84"	63	33	215	407	+33 - +298
85"	67	29	217	409	+29 - +294
86"	71	25	220	412	+25 - +290
87"	75	21	222	414	+21 - +286
88"	79	17	224	416	+17 - +282
89"	83	13	226	418	+13 - +278
90"	87	9	228	420	+9 - +274
91"	91	5	231	423	+5 - +270
92"	95	1	233	425	+1 - +266

Installing the Setting Plate

S	a	b	c	d	X
93"	100	4	235	427	-5 - +261
94"	104	8	237	429	-9 - +257
95"	108	12	239	431	-13 - +253
96"	112	16	242	434	-17 - +249
97"	116	20	244	436	-21 - +245
98"	120	24	246	438	-25 - +241
99"	124	28	248	440	-29 - +237
100"	128	32	251	443	-33 - +233
101"	132	36	253	445	-37 - +229
102"	136	40	255	447	-41 - +225
103"	140	44	257	449	-45 - +221
104"	144	48	259	451	-49 - +217
105"	148	52	262	454	-53 - +213
106"	152	56	264	456	-57 - +209
107"	156	60	266	458	-61 - +205
108"	160	64	268	460	-65 - +201
109"	164	68	270	462	-69 - +197
110"	169	72	273	465	-73 - +193
111"	172	76	275	467	-77 - +189
112"	176	80	277	469	-81 - +185
113"	180	84	279	471	-85 - +181
114"	184	88	281	473	-89 - +177
115"	189	93	284	476	-94 - +172
116"	193	97	286	478	-98 - +168

117 inches or more

[Unit: mm]

S	a	b	c	d	X
117"	197	39	288	480	-40 - +226
118"	201	43	290	482	-44 - +222
119"	205	47	292	484	-48 - +218
120"	209	51	295	487	-52 - +214
121"	213	55	297	489	-56 - +210
122"	217	59	299	491	-60 - +206
123"	221	63	301	493	-64 - +202
124"	225	67	303	495	-68 - +198
125"	229	71	306	498	-72 - +194
126"	233	75	308	500	-76 - +190
127"	237	79	310	502	-80 - +186
128"	241	83	312	504	-84 - +182
129"	245	87	314	506	-88 - +178
130"	249	91	317	509	-92 - +174
131"	253	95	319	511	-96 - +170
132"	257	99	321	513	-100 - +166
133"	261	103	323	515	-104 - +162
134"	265	107	325	517	-108 - +158
135"	269	111	328	520	-112 - +154
136"	274	116	330	522	-117 - +149
137"	278	120	332	524	-121 - +145
138"	282	124	334	526	-125 - +141
139"	286	128	337	529	-129 - +137
140"	290	132	339	531	-133 - +133

Installing the Setting Plate

S	a	b	c	d	X
144"	306	148	348	540	-149 - +117
145"	310	152	350	542	-153 - +113
146"	314	156	352	544	-157 - +109
147"	318	160	354	546	-161 - +105
148"	322	164	356	548	-165 - +101

4:3 projected image

116 inches or less

[Unit: mm]

S	a	b	c	d	X
66"	26	70	195	387	+70 - +335
67"	30	66	197	389	+66 - +331
68"	35	61	200	392	+61 - +326
69"	39	57	202	394	+57 - +322
70"	44	52	205	397	+52 - +317
71"	48	48	207	399	+48 - +313
72"	53	43	210	402	+43 - +308
73"	58	38	212	404	+38 - +303
74"	62	34	215	407	+34 - +299
75"	67	29	217	409	+29 - +294
76"	71	25	220	412	+25 - +290
77"	76	20	222	414	+20 - +285
78"	80	16	225	417	+16 - +281
79"	85	11	227	419	+11 - +276
80"	90	6	230	422	+6 - +271
81"	94	2	232	424	+2 - +267

Installing the Setting Plate

S	a	b	c	d	X
82"	99	3	235	427	-4 - +262
83"	103	7	237	429	-8 - +258
84"	108	12	240	432	-13 - +253
85"	113	17	242	434	-18 - +248
86"	117	21	245	437	-22 - +244
87"	122	26	247	439	-27 - +239
88"	126	30	250	442	-31 - +235
89"	131	35	252	444	-36 - +230
90"	136	39	255	447	-40 - +226
91"	140	44	257	449	-45 - +221
92"	145	49	260	452	-50 - +216
93"	149	53	262	454	-54 - +212
94"	154	58	265	457	-59 - +207
95"	158	62	267	459	-63 - +203
96"	163	67	270	462	-68 - +198
97"	168	72	272	464	-73 - +193
98"	172	76	275	467	-77 - +189
99"	177	81	277	469	-82 - +184
100"	181	85	280	472	-86 - +180
101"	186	90	282	474	-91 - +175
102"	190	94	285	477	-95 - +171
103"	195	99	287	479	-100 - +166
104"	200	104	290	482	-105 - +161
105"	204	108	292	484	-109 - +157

S	a	b	c	d	X
106"	209	113	295	487	-114 - +152
107"	213	117	297	489	-118 - +148
108"	218	122	300	492	-123 - +143
109"	223	127	302	494	-128 - +138
110"	227	131	305	497	-132 - +134
111"	232	136	307	499	-137 - +129
112"	236	140	310	502	-141 - +125
113"	241	145	312	504	-146 - +120
114"	245	149	315	507	-150 - +116
115"	250	154	317	509	-155 - +111
116"	255	159	320	512	-160 - +106

117 inches or more

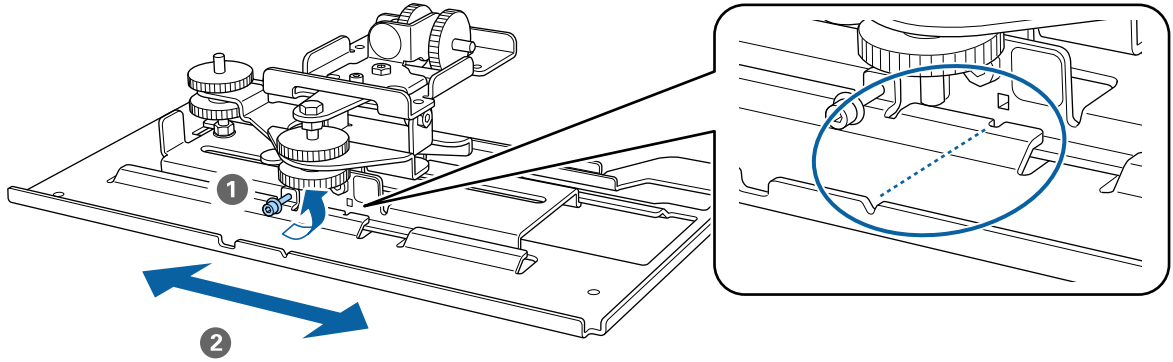
[Unit: mm]

S	a	b	c	d	X
117"	259	101	322	514	-102 - +164
118"	264	106	325	517	-107 - +159
119"	268	110	327	519	-111 - +155
120"	273	115	330	522	-116 - +150
121"	278	120	332	524	-121 - +145
122"	282	124	335	527	-125 - +141
123"	287	129	337	529	-130 - +136
124"	291	133	340	532	-134 - +132
125"	296	138	342	534	-139 - +127
126"	300	142	345	537	-143 - +123
127"	305	147	347	539	-148 - +118
128"	310	152	350	542	-153 - +113
129"	314	156	352	544	-157 - +109
130"	319	161	355	547	-162 - +104

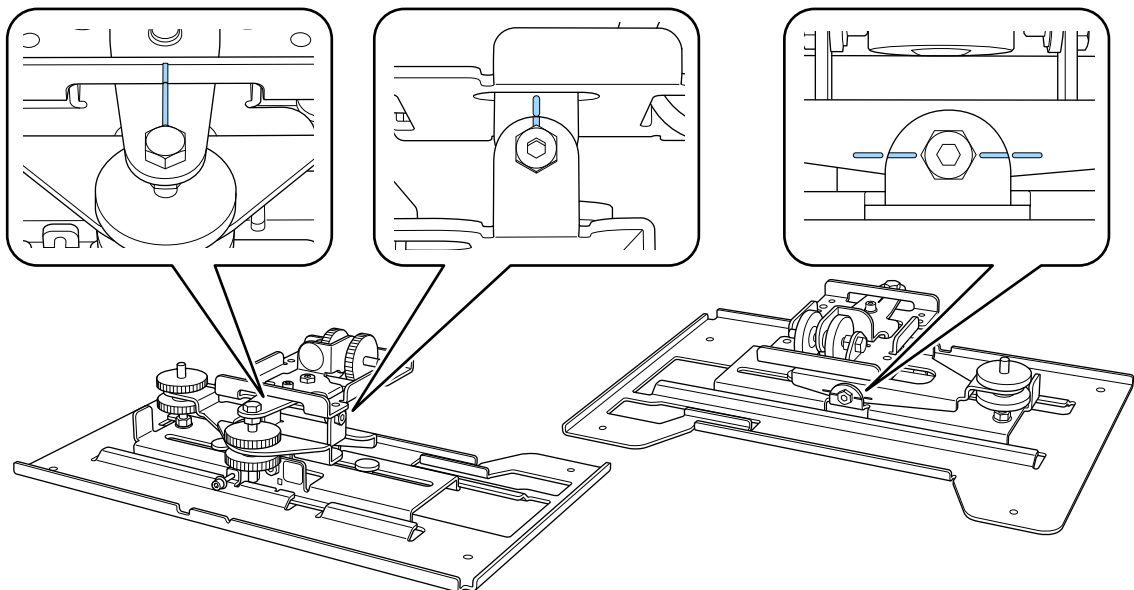
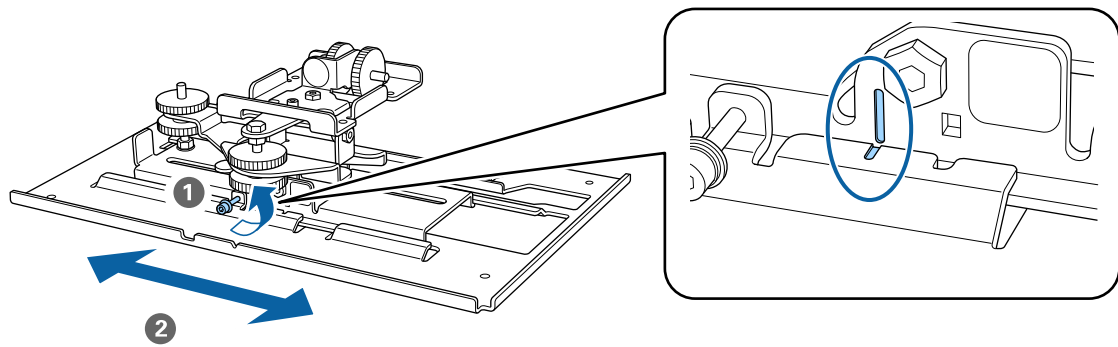
■ Attaching the adjustment unit to the projector

1 Loosen the M4 bolt on the adjustment unit, and then align the marks for each part
When the position is correct, tighten the M4 bolt.

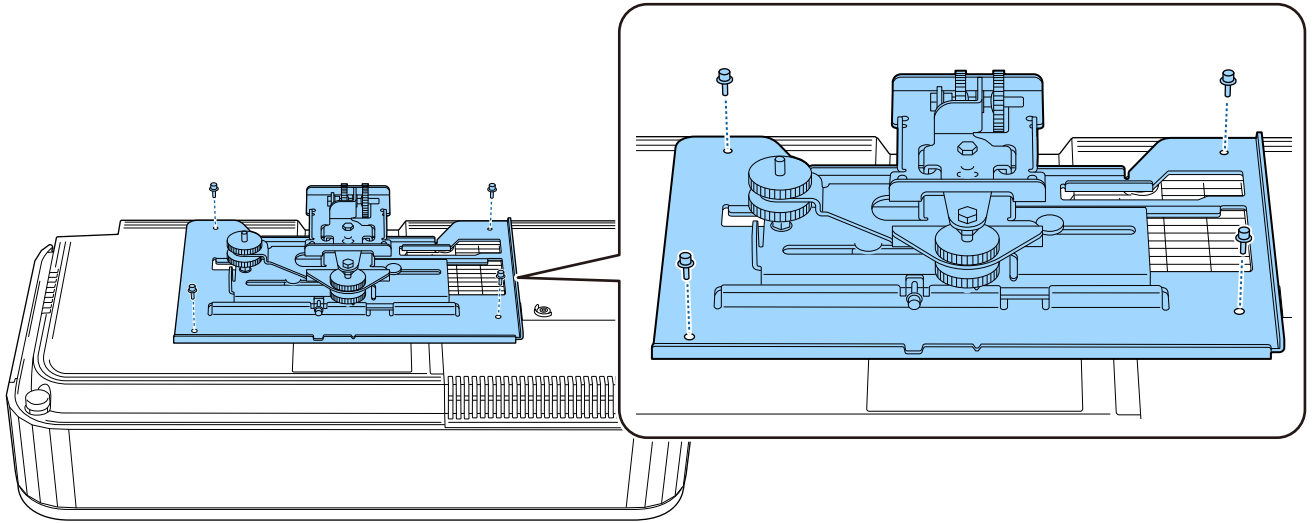
- Models without markings on the adjustment unit



- Models with markings on the adjustment unit
Adjust so that the center of the markings are aligned.



- 2 Secure the adjustment unit to the base of the projector with the M4 x 12 mm bolts (x4) supplied

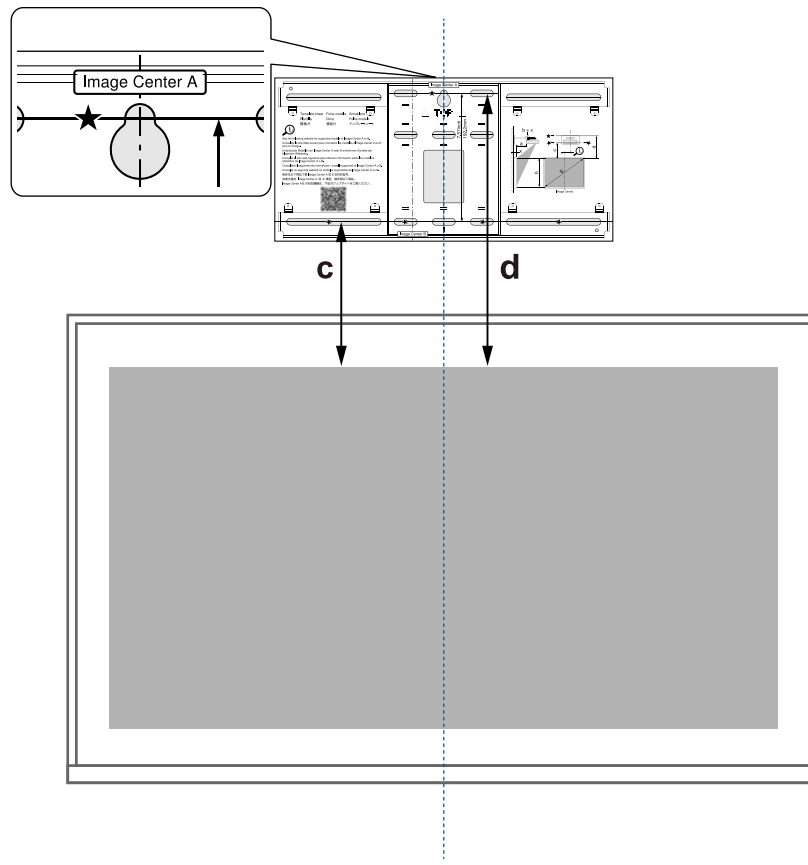


- Install the wall plate on the wall

- 1 Attach the template sheet to the wall

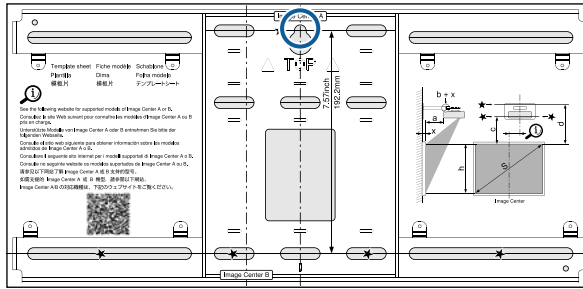
Attach the template sheet according to the installation position that you confirmed using the projection distance table (p.20).

Align the center position of the screen being projected with Image Center A on the Template sheet.



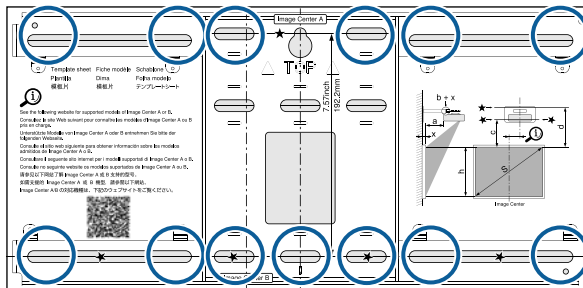
2 Drive a commercially available M10 screw into the position of the temporary screw hole for the wall plate

Leave a gap of 6 mm or more between the wall and the screw head.



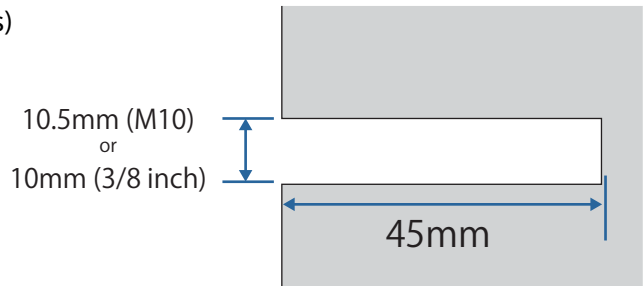
3 Determine the positions for the mounting holes for the wall plate

From the screw holes shown in the figure below, secure at least four points at the top, bottom, left, and right for optimum balance.

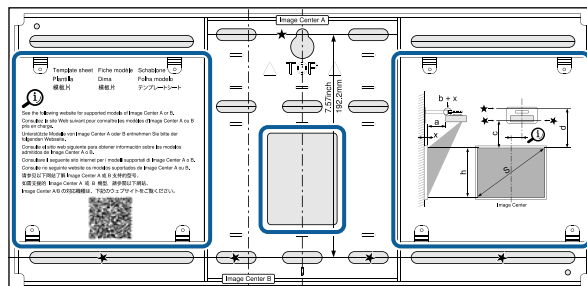


4 Drill the holes in the wall

- Drill diameter: 10.5 mm (M10) or 10 mm (3/8 inches)
- Pilot hole depth: 45 mm
- Anchor hole depth: 40 mm



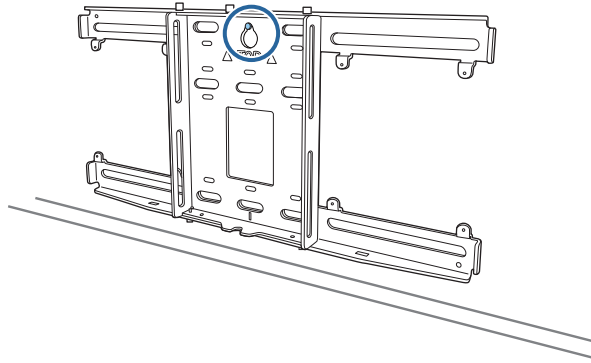
When routing cables to the projector through a wall, you can drill holes within the area shown in the figure below and use them as cable routing holes.



5 Remove the template sheet

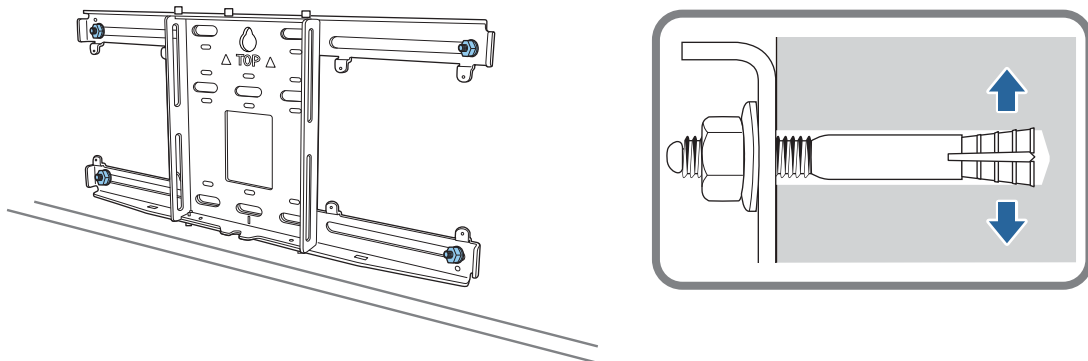
6

Place the wall plate on the temporary M10 screw that you installed in step 2



7

Use commercially available M10 or 3/8 inch x 60 mm anchor bolts to secure the wall plate to the holes you drilled in step 4

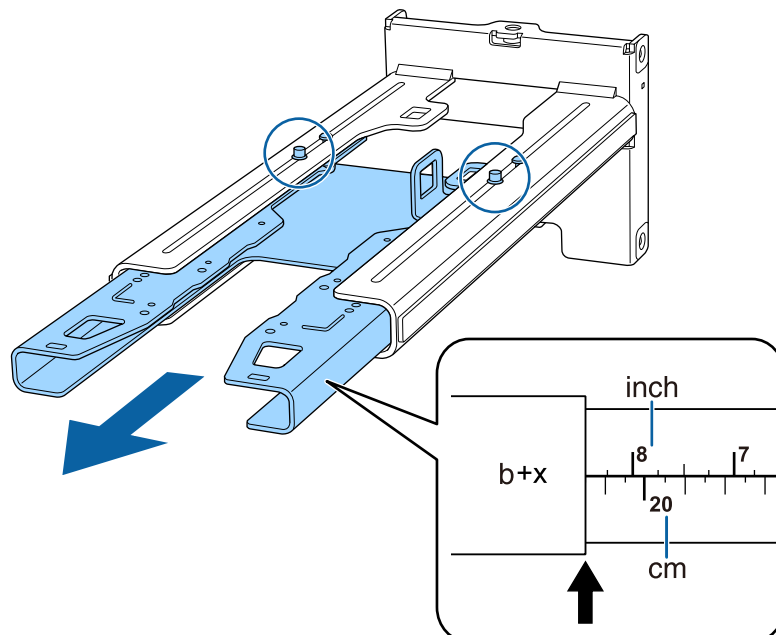


Install the arm unit on the wall plate

1

Loosen the M4 x 12 mm bolts (x2) and extend the arm slide on the arm unit

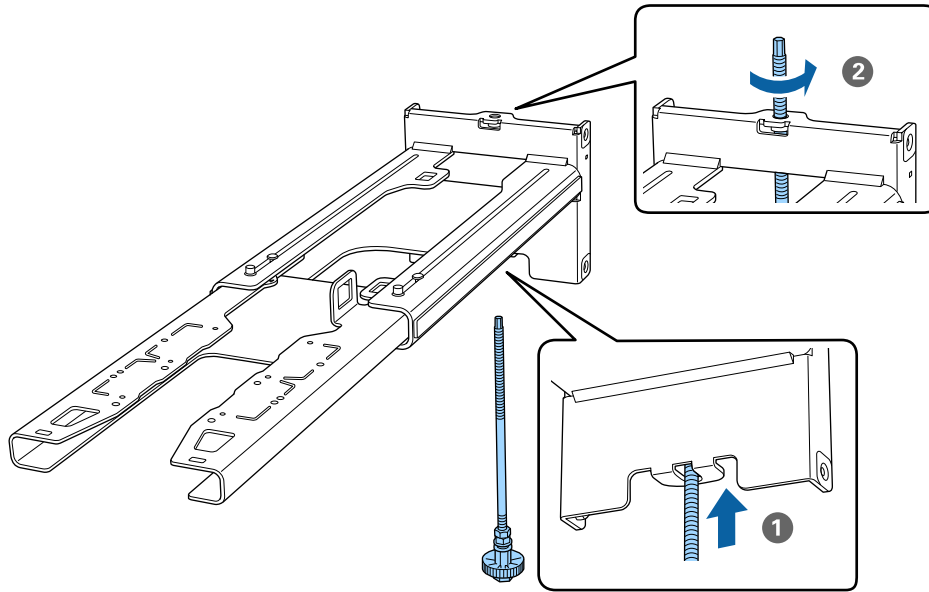
Adjust the scale on the slider to the combined distance of the value for (b) confirmed in the projection distance table (p.20) and the thickness (x) from the wall plate installation surface to the projection surface.



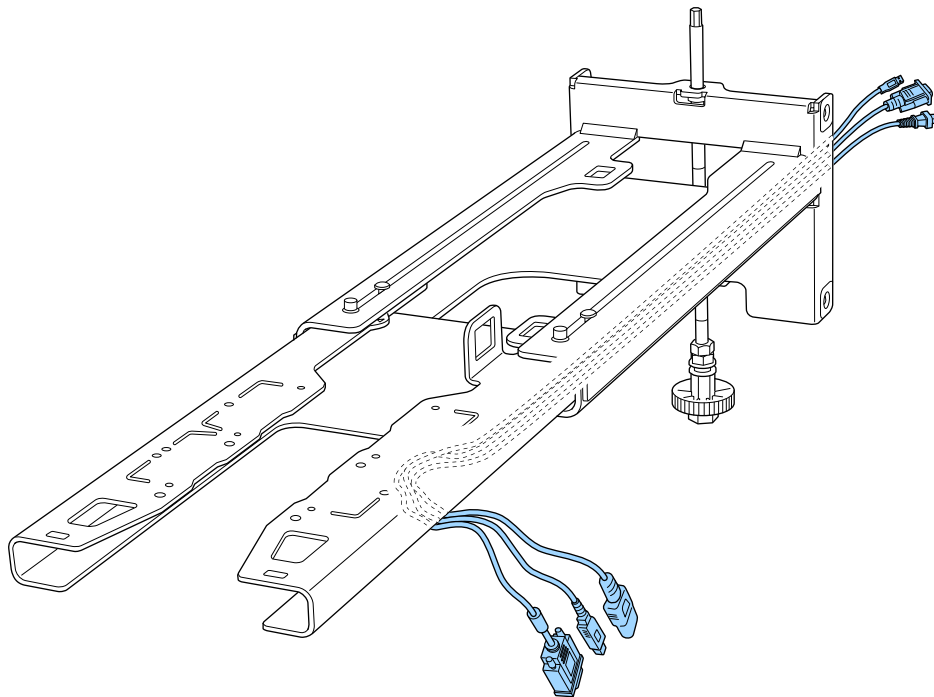
2 Insert the hexagonal axis into the arm unit

If there is a white mark* on the hexagonal axis, align the mark with the top edge of the setting plate.

*Although the mark may wear off over time, this does not indicate a defect in the hardware.



3 Route the necessary cables through the arm unit



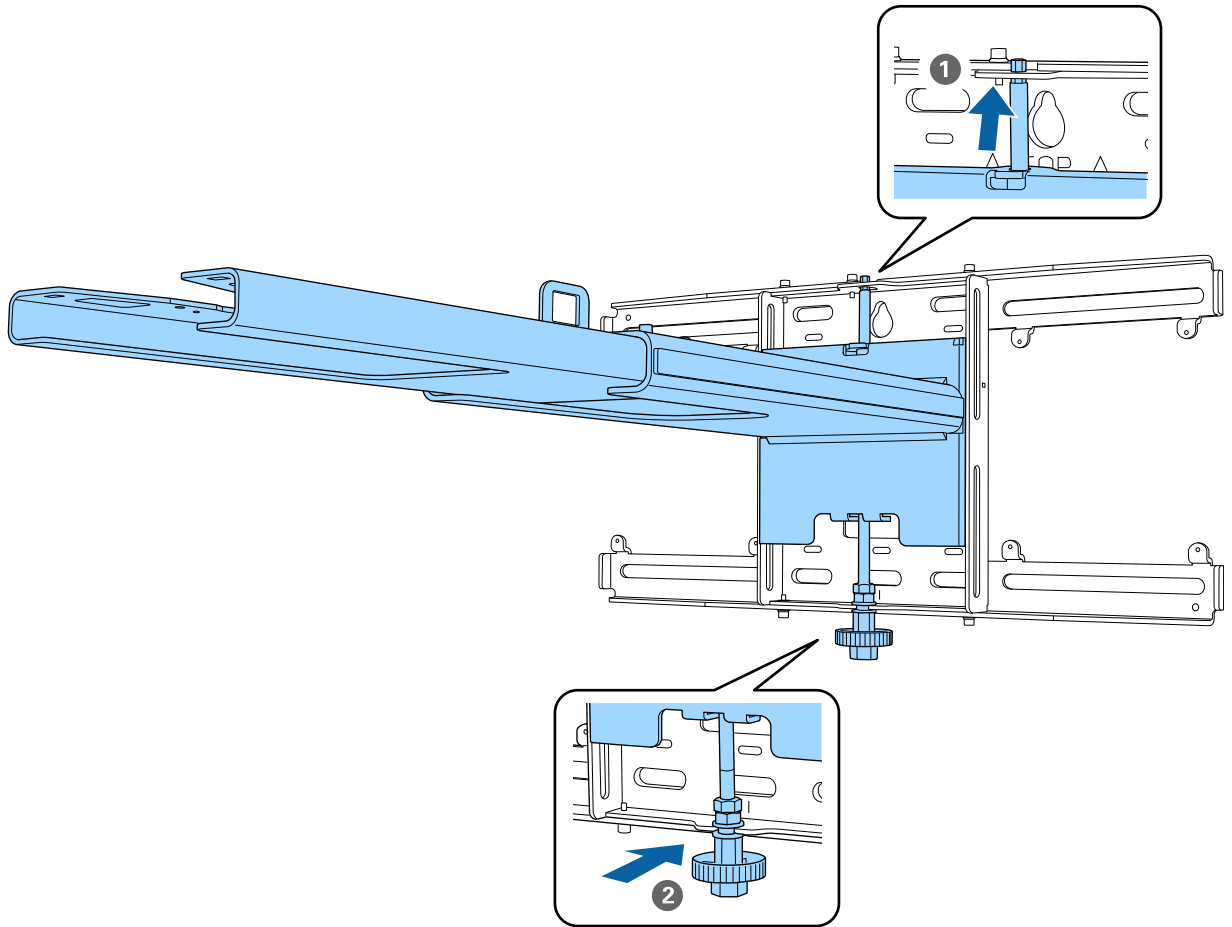
Warning

Do not hang the rest of the cables over the arm unit. They could fall and cause an accident.



Make sure that cable ports for connecting to peripheral devices such as mini PCs are routed so that they come out of the lower part of the arm unit and not through walls.

- 4** Attach the arm unit to the wall plate
Insert the hexagonal axis until the tip extends slightly out of the top of the wall plate and the other end connects to the bottom of the wall plate.



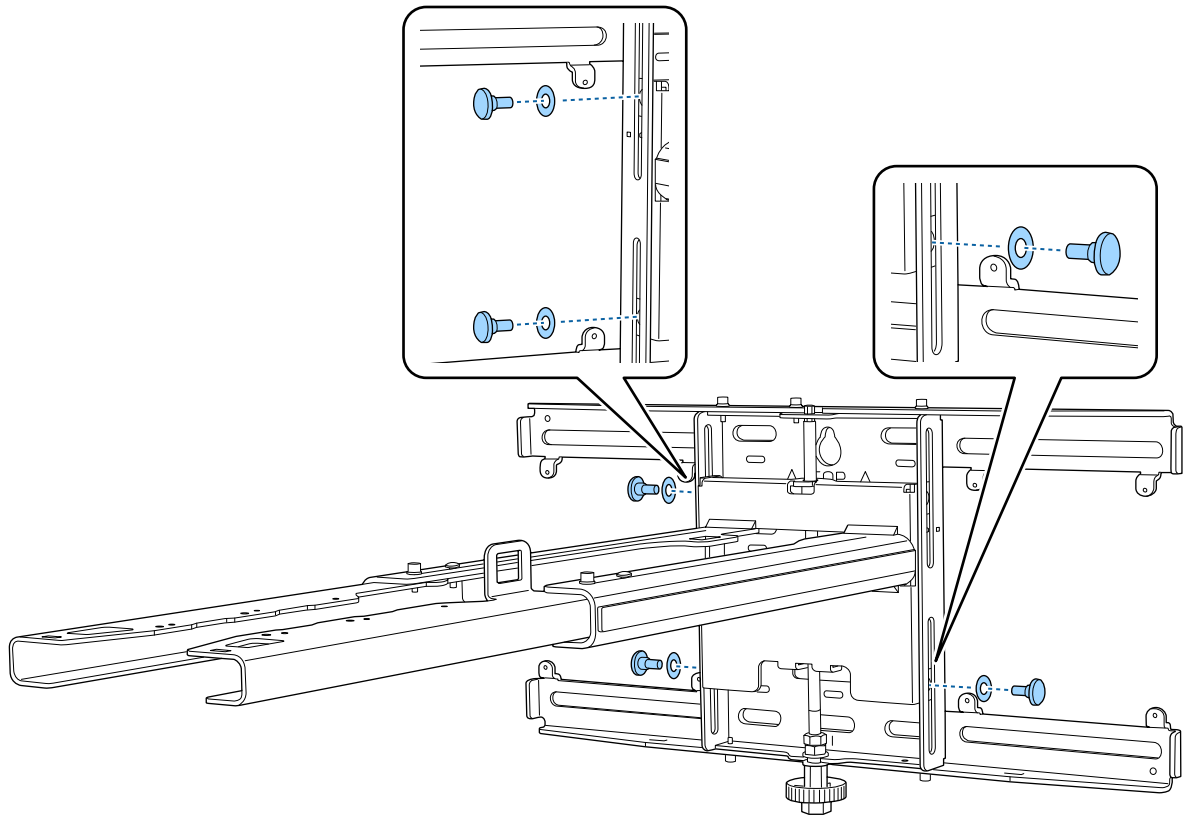
⚠ Caution

Take care not to trap the cables between the arm unit and the wall plate.

5

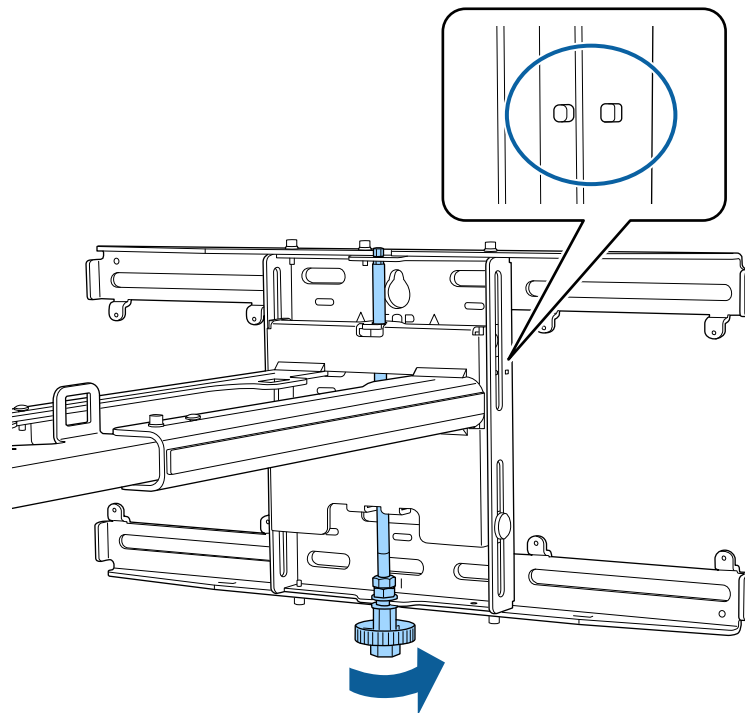
Temporarily secure the arm unit

Secure three points with the M6 screws supplied (x3).



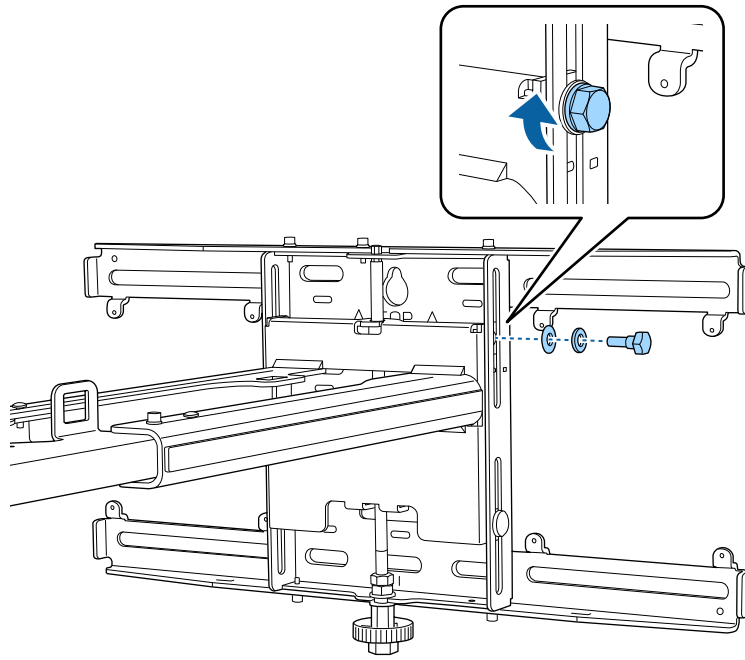
6

Adjust the vertical slide with the open-ended spanner to align the marks on the wall plate and the arm unit.



7

Tighten the M6 bolt (x1) to secure the arm unit in position

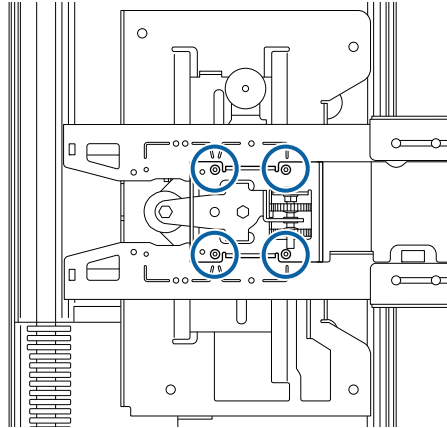


■ Attach the adjustment unit to the arm unit

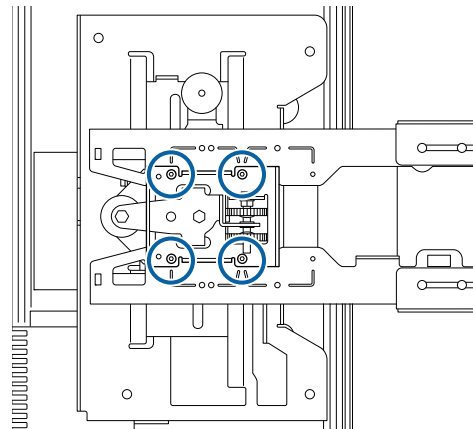
1 Check the installation position for the adjustment unit

The installation position is marked on the arm unit. Install at an appropriate position according to the size of the screen you want to project on to.

- When a projected image is smaller than 117 inches: Install the unit at the ○ mark.

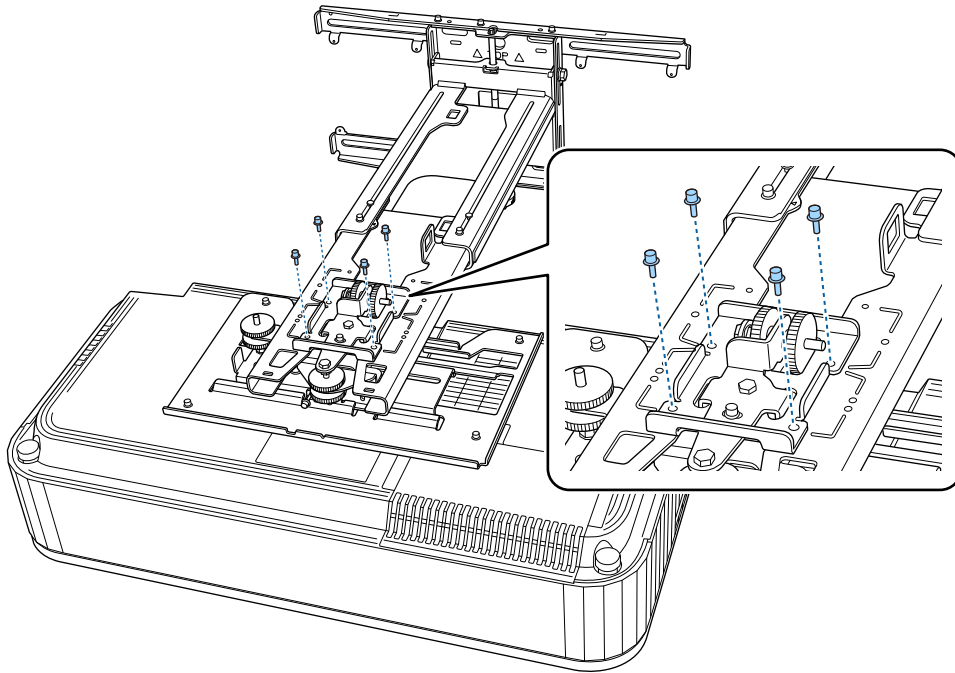


- When a projected image is 117 inches or more: Install the unit at the ○○ mark.



2

Secure the adjustment unit to the arm unit with the M4 x 12 mm bolts (x4) supplied



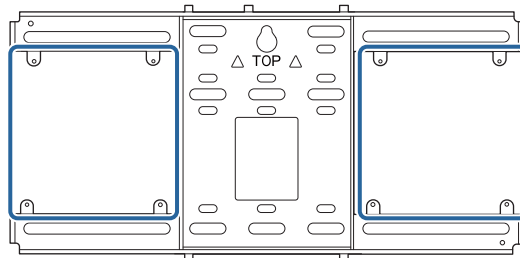
3

Connect the cables to the projector

Connect the power cord last.

■ Attaching peripheral devices

Attach the mini PC or stick PC to the mini PC plate, and secure it to the left or right side of the wall plate.



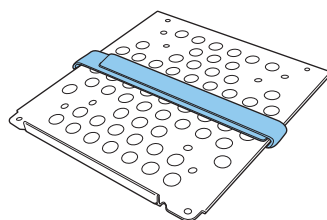
Attach it so that the air exhaust vents of the PC are not blocked.

We recommend installing the PC so that the air exhaust vents are at the top and the air intake vents are at the bottom.

When securing with the mini PC belt

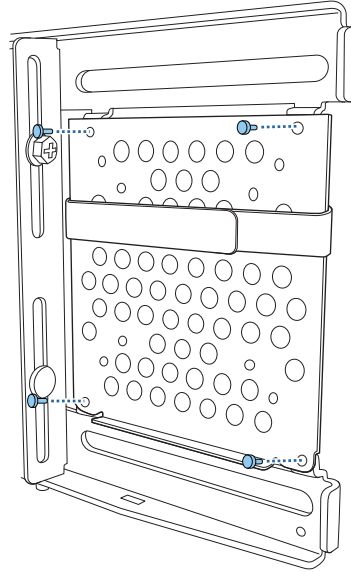
1

Wrap the belt around the mini PC plate



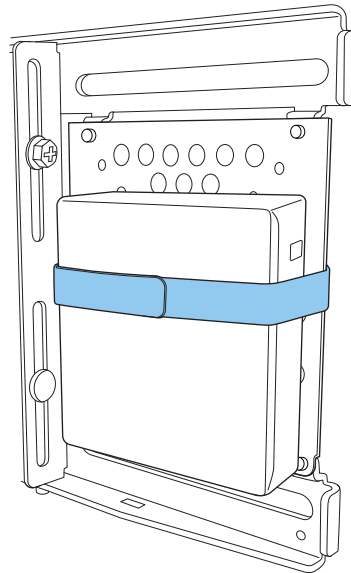
2

Secure the mini PC plate to the wall plate using the M3 x 6 mm screws (x4) supplied.



3

Place the PC on the lower edge of the mini PC plate, and secure it with the belt

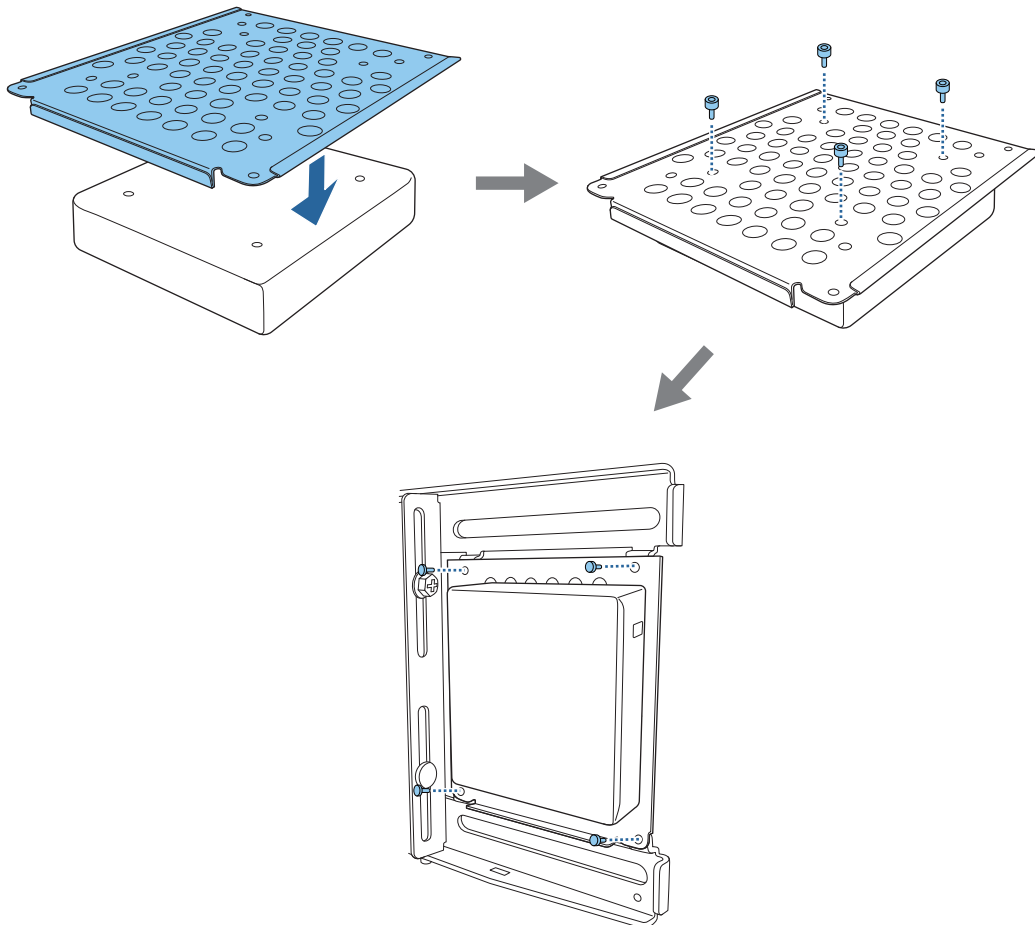


When securing with screws

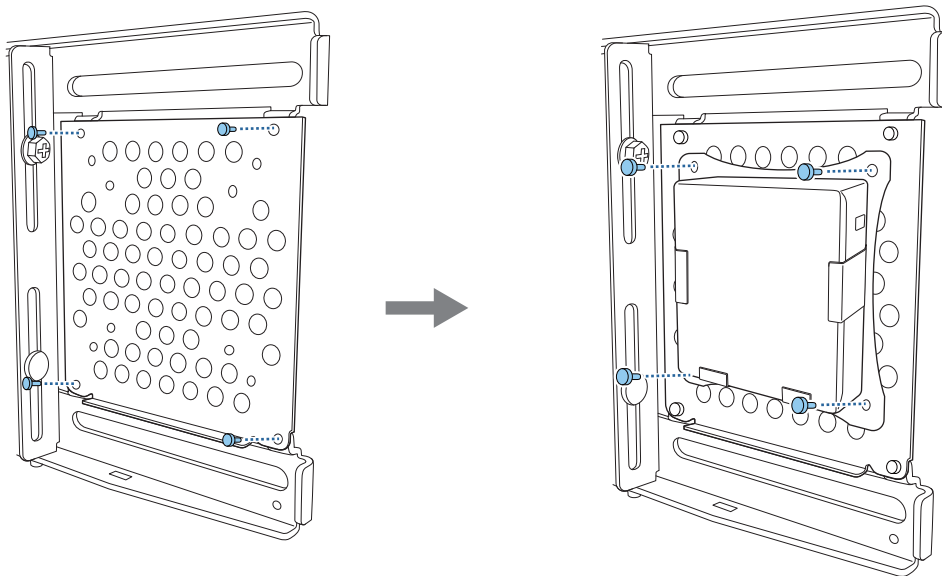
Depending on the shape of the mini PC and the orientation of the screw holes, the order in which parts are installed differs. Be sure to check the installation instructions in advance.

Installation example

- Secure the mini PC plate with the PC installed to the wall plate using the M3 x 6 mm screws (x4) supplied.



- Secure the mini PC plate to the wall plate using the M3 x 6 mm screws (x4) supplied, and then install the PC.

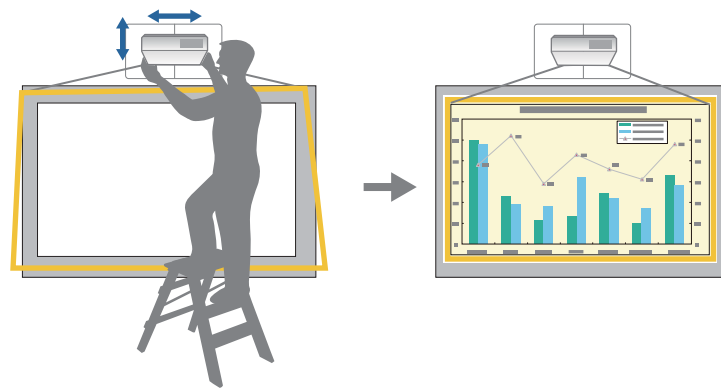


Adjusting the Position of the Projected Image

You can use any of the following methods to adjust the position of the projected image.

- Adjusting using the Setting Plate Installation Guide ([p.46](#))

Manually adjust the position of the setting plate according to the guide screen displayed. This is useful when you want to perform fine adjustments to the projection position while maintaining the image quality.

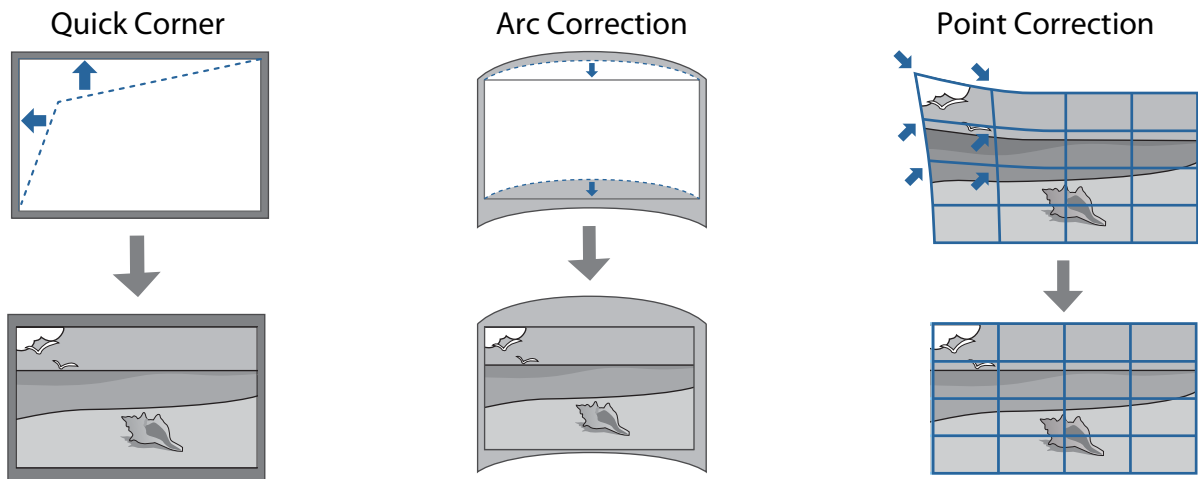


- Adjusting using the Epson Setting Assistant

Use the Epson Setting Assistant to adjust the projection position. Install and use the Epson Setting Assistant app. To install the app, start the Geometry Correction Wizard and scan the QR code displayed on the projection screen.

- Adjusting using the projector menus (p.49)

Select the area you want to adjust and manually correct the image. This is useful when you want to make fine adjustments to the projection position after making mechanical adjustments using the guide screen.



- Images are not stable immediately after turning on the projector. After starting projection, wait for at least 30 minutes before adjusting the image.
- Install and adjust the projector at a room temperature that is close to the actual intended usage environment. If the temperature changes, the position of the image may shift.
- When setting up multiple projectors using the batch setup function, perform the batch setup before adjusting the projected image.
- We recommend the mechanical position adjustment of the setting plate to adjust the image when you want to maintain image quality.
- We recommend positioning the projector to be as parallel as possible to the projection surface to reduce image distortion.

■ Preparations before adjusting

The initial setup wizard is displayed when you turn on the projector for the first time.

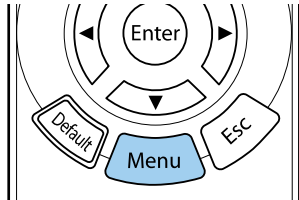
Use the up, down, left, right, and [Enter] buttons to set the **Projection**, **Language**, and **Date & Time**. Continue to adjust the shape and position of the projected image as necessary. If necessary, you can then enable **Quick Startup** to speed up the projector's startup. Enabling this setting increases the power consumed during standby.

■ Performing mechanical adjustment using the Setting Plate Installation Guide

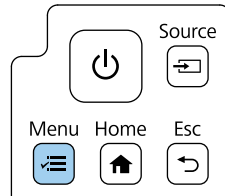
Use the guidance screen to adjust the position of the image.

1 Press the [Menu] button

Using the Remote Control



Using the Control Panel

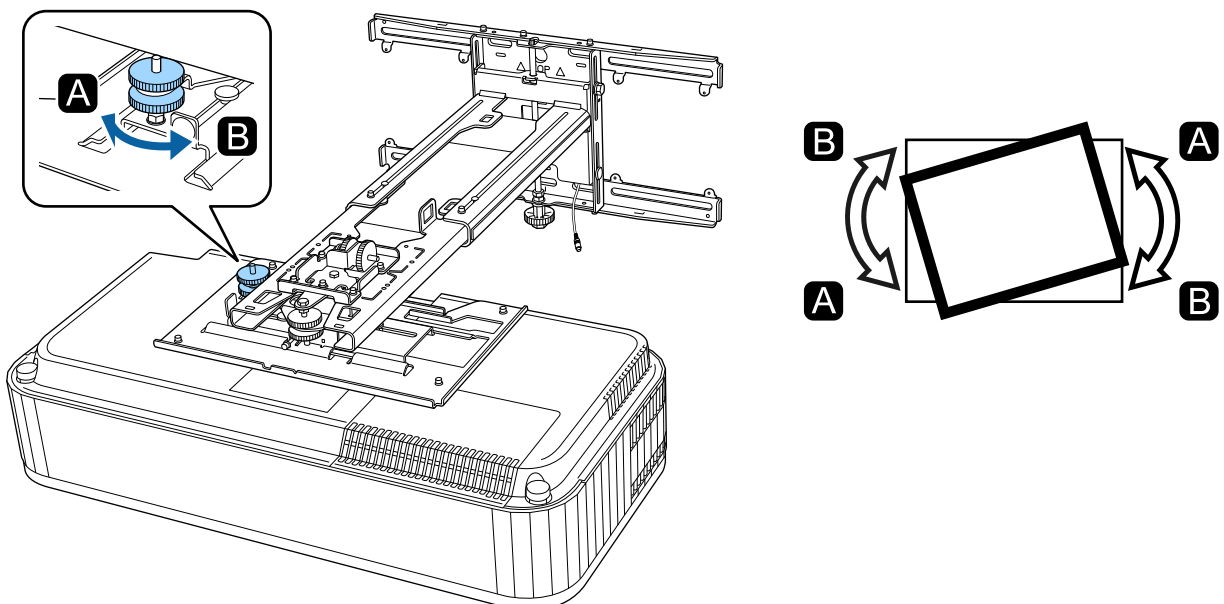


2 Select **Setting Plate Installation Guide** from the **Installation** menu

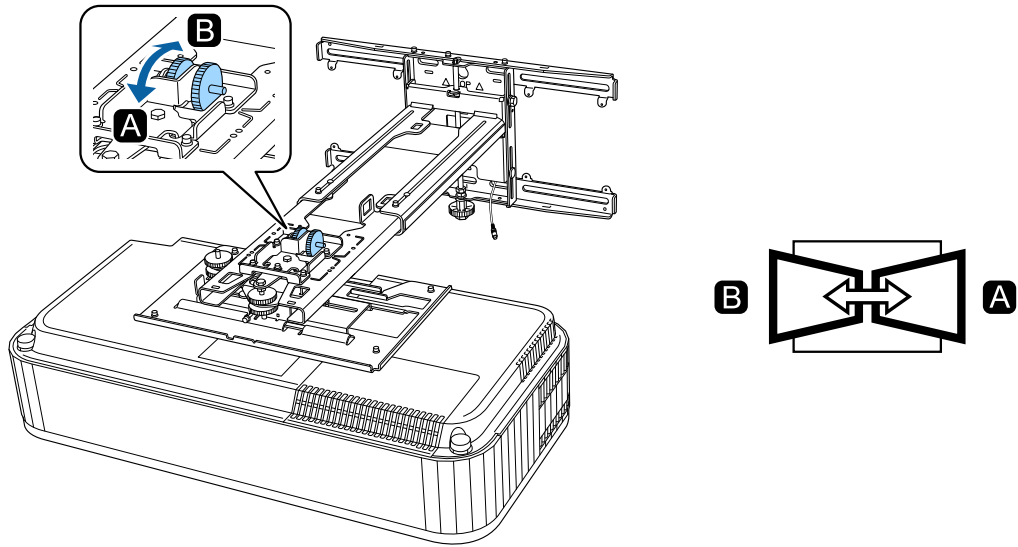
Frequently Used Items	Installation	
Image	Fixed Installation	Off
Signal I/O	Test Pattern	
Installation	Setting Plate Installation Guide	
Display	Projection	Front/Upside Down
Operation	Geometry Correction	Arc Correction
Management	Geometry Correction Wizard	
Network	Digital Zoom	▼
Memory	Remote Receiver	Off
ECO	Screen Type	16:9 ▼
Initial/All Settings	High Altitude Mode	Off
	Source	HDMI1
	Blanking	
	Reset to Defaults	
	Install Again	
	Reset Installation Settings	
	Display	
	No-signal Screen	Black

You see the guidance screen.

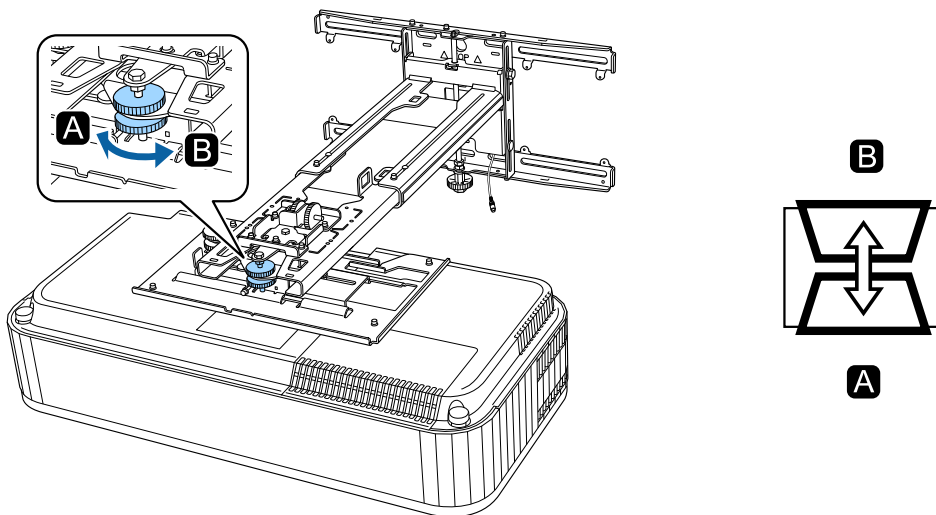
3 Turn the adjustment dial ① in the installation guide to adjust the horizontal roll



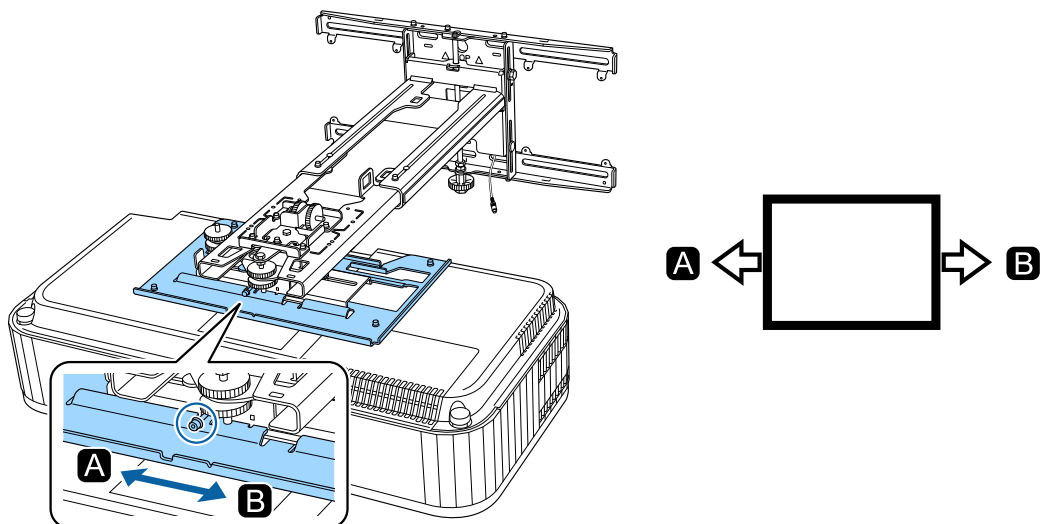
- 4 Loosen the M4 screw, and then turn the adjustment dial ② in the installation guide to adjust the horizontal rotation



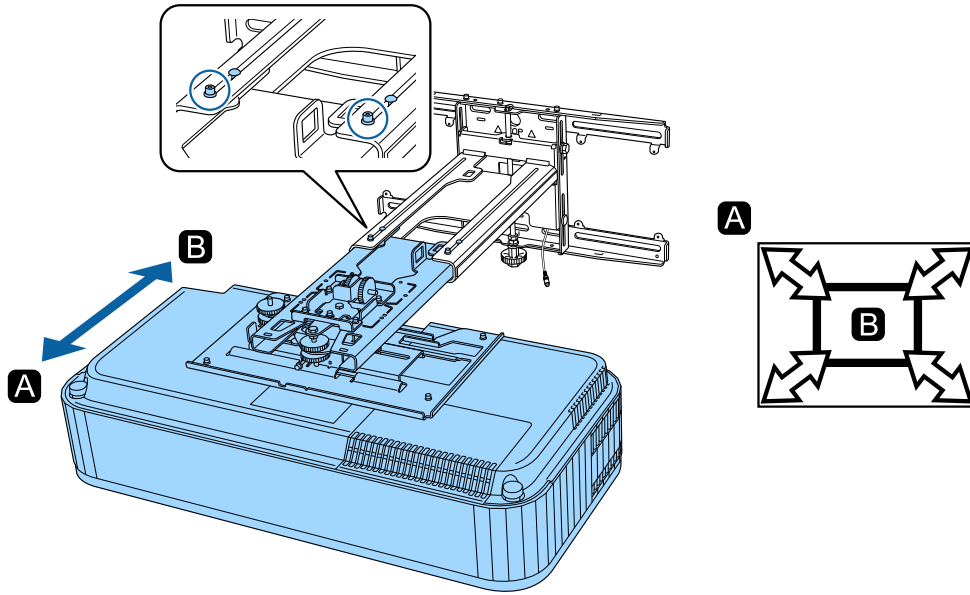
- 5 Turn the adjustment dial ③ in the installation guide to adjust the vertical tilt



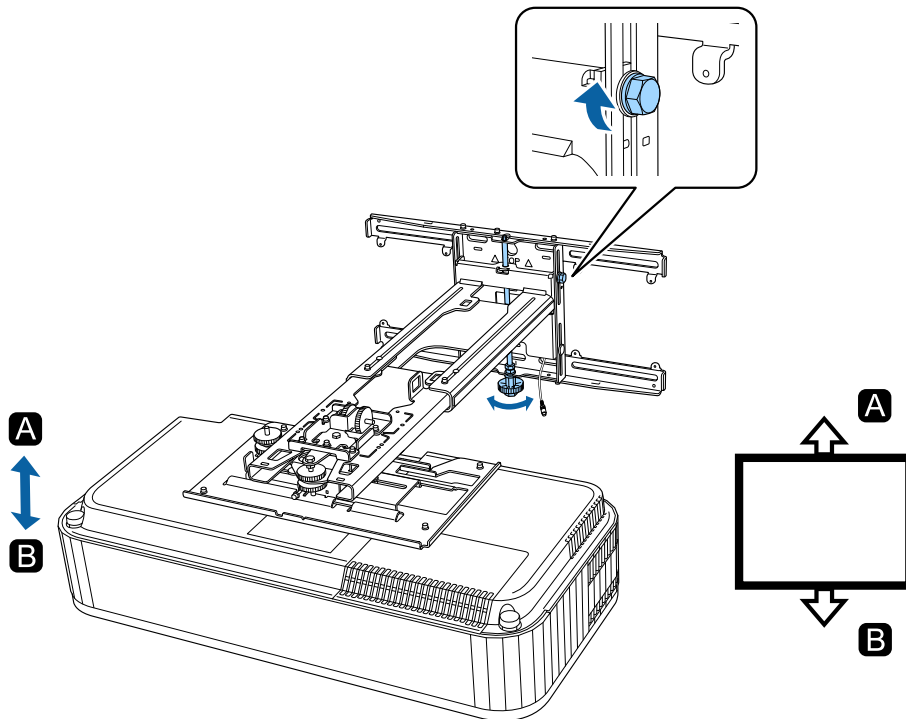
- 6 Loosen the M4 bolt, and then adjust the horizontal slide




7 Loosen the M4 bolts (x2), and then adjust the forward/backward slide



8 Loosen the M6 bolt, and then adjust the vertical slide

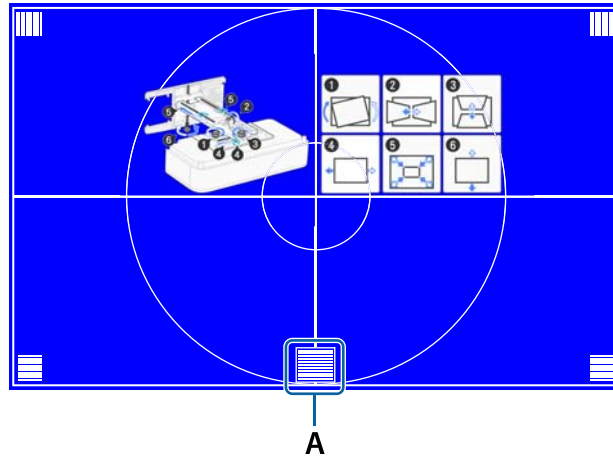


9 Re-tighten the screws and bolts that you loosened in steps 3 to 8

 **Warning**

Tighten all bolts and screws firmly. Otherwise, the product may fall and cause personal injury or property damage.

10 Adjust the focus of position A in the following figure



11 When you have finished making adjustments, press the [Esc] button on the remote control or the control panel to exit the guidance screen

Adjusting using the projector menus



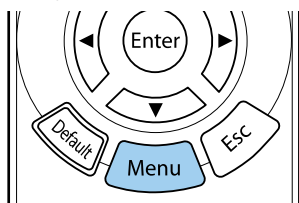
- You can save adjusted values in **Memory** from the **Geometry Correction** menu.
- Before performing the adjustment, set the Screen Type and the Screen Position setting first. If you change the Screen Type or the Screen Position after making corrections, the corrections will be reset.
- You can also use the Geometry Correction Wizard and follow the on-screen instructions to make corrections.

See the User's Guide for more details.

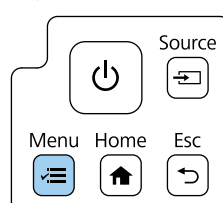
Arc Correction

1 Press the [Menu] button

Using the Remote Control



Using the Control Panel



2

Select **Geometry Correction** from the **Installation** menu

Frequently Used Items	Installation
Image	Fixed Installation Off
Signal I/O	Test Pattern
Installation	Setting Plate Installation Guide
Display	Projection Front/Upside Down
Operation	Geometry Correction Arc Correction
Management	Geometry Correction Wizard
Network	Digital Zoom
Memory	Remote Receiver Off
ECO	Screen Type 16:9
Initial/All Settings	High Altitude Mode Off
	Source HDMI1
	Blanking
	Reset to Defaults
	Install Again
	Reset Installation Settings
	Display
	No-signal Screen Black

3

Select **Arc Correction**

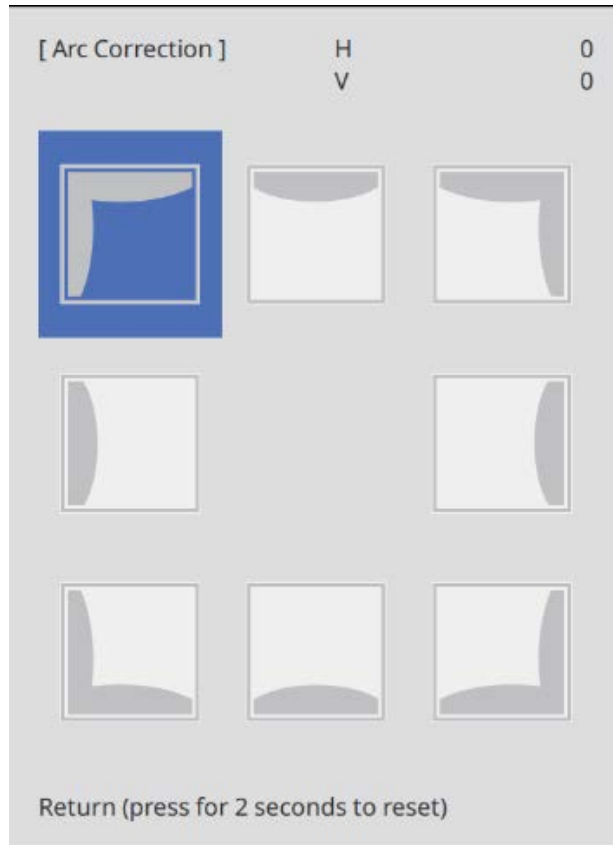
[Geometry Correction]	Return
Quick Corner	
✓ Arc Correction	
Point Correction	
Correct Distortion Using Smartphone	
Fit to Screen Using Smartphone	
Memory	

4

Select **Arc Correction**

[Arc Correction]	Return
Quick Corner	
Arc Correction	
Point Correction	
Reset	

5 Select the side you want to correct and make adjustment

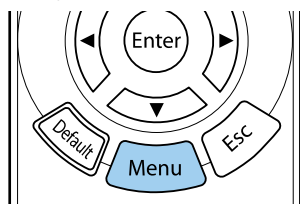


6 When you have finished making adjustments, press the [Esc] button on the remote control or the control panel to finish adjustment

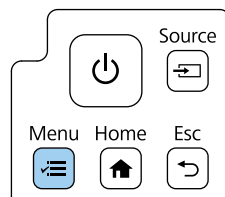
Quick Corner

1 Press the [Menu] button

Using the Remote Control



Using the Control Panel



2

Select **Geometry Correction** from the **Installation** menu

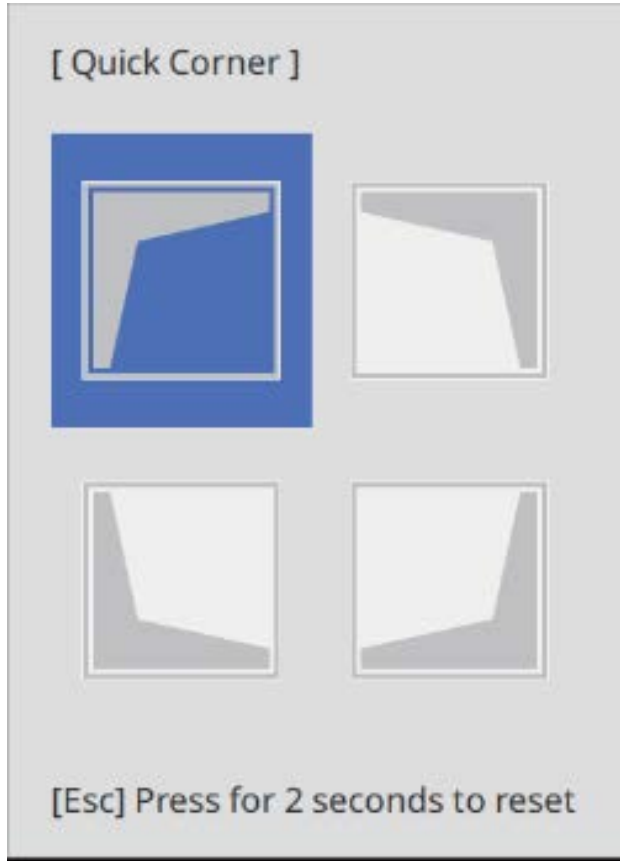
Frequently Used Items	Installation
Image	Fixed Installation Off
Signal I/O	Test Pattern
Installation	Setting Plate Installation Guide
Display	Projection Front/Upside Down
Operation	Geometry Correction Arc Correction
Management	Geometry Correction Wizard
Network	Digital Zoom
Memory	Remote Receiver Off
ECO	Screen Type 16:9
Initial/All Settings	High Altitude Mode Off
	Source HDMI1
	Blanking
	Reset to Defaults
	Install Again
	Reset Installation Settings
	Display
	No-signal Screen Black


3

Select **Quick Corner**

[Geometry Correction]	Return
✓ Quick Corner	
Arc Correction	
Point Correction	
Correct Distortion Using Smartphone	
Fit to Screen Using Smartphone	
Memory	

4 Select the side you want to correct and make adjustment



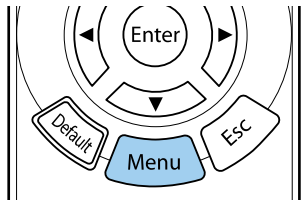
 While adjusting the sides, press buttons [1], [3], [7], and [9] on the remote control to select the side you want to adjust.

5 When you have finished making adjustments, press the [Esc] button on the remote control or the control panel to finish adjustment

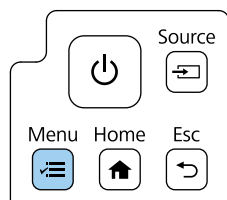
Point Correction

1 Press the [Menu] button

Using the Remote Control

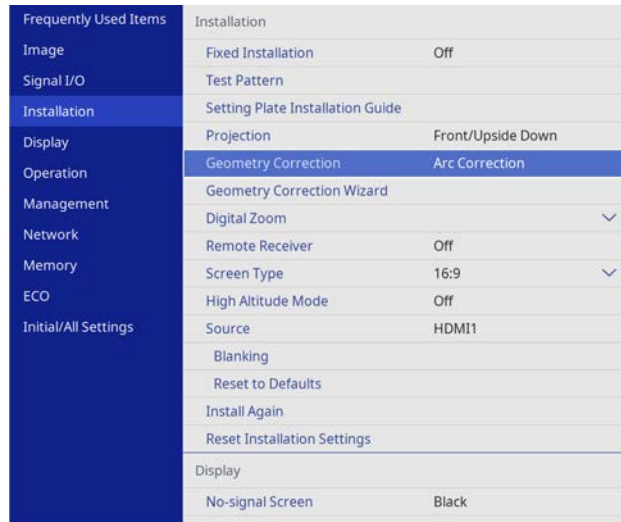


Using the Control Panel



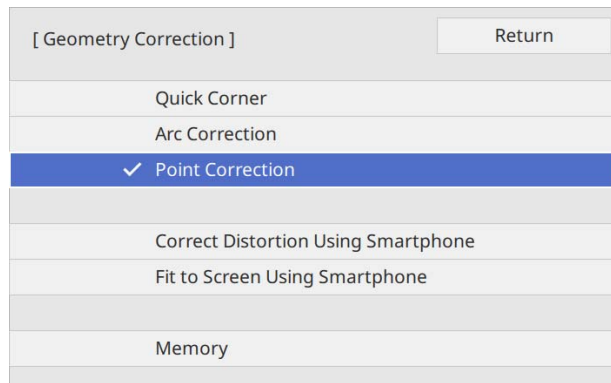
2

Select **Geometry Correction** from the **Installation** menu



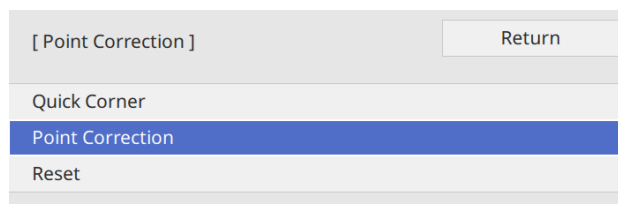
3

Select **Point Correction**



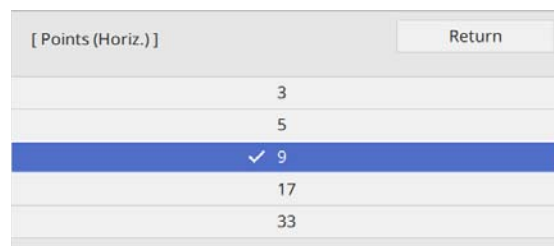
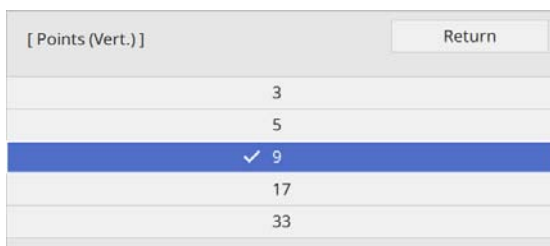
4

Select **Point Correction**



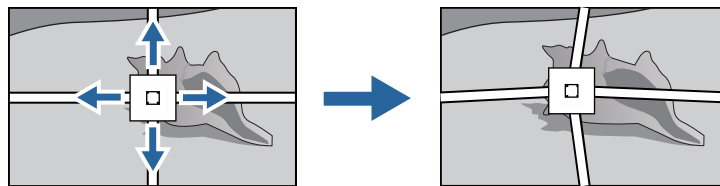
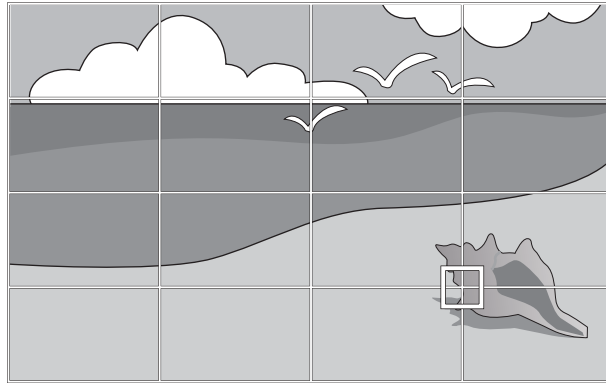
5

Select **Points (Vert.)** and **Points (Horiz.)**, and then set the number of grids



6

Select the points you want to correct and make adjustment



If it is hard to see the grid, use **Pattern Color** to change the color of the grid.

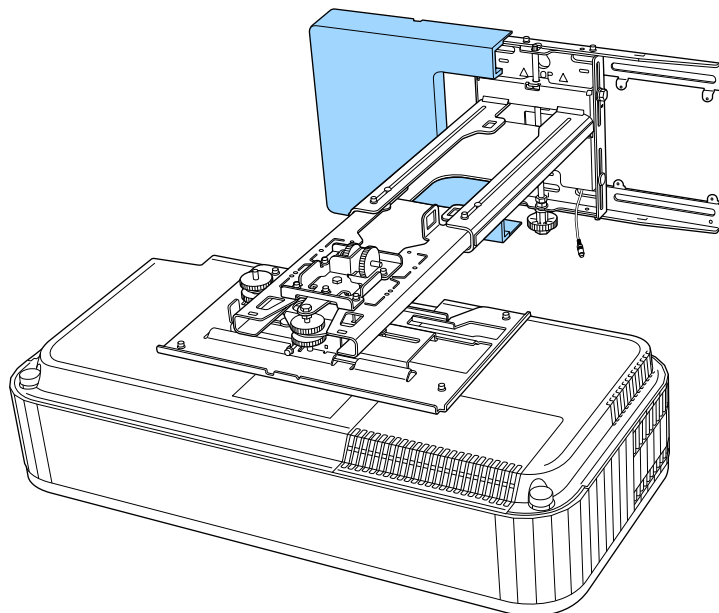
7

When you have finished making adjustments, press the [Esc] button on the remote control or the control panel to finish adjustment

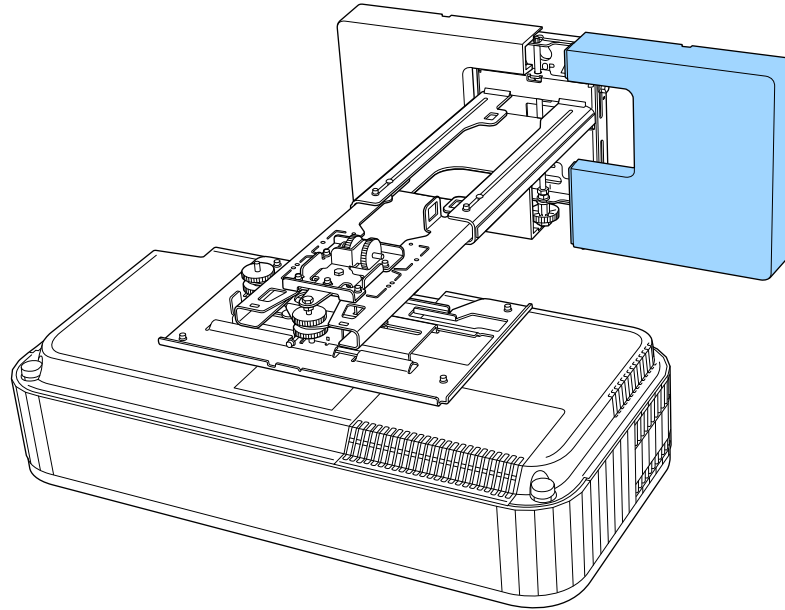
Attaching the Covers

1

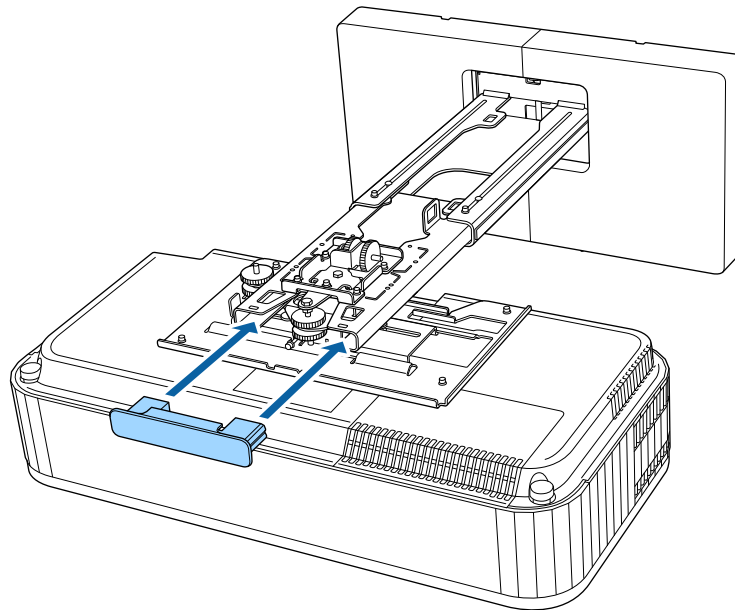
Attach the left wall plate cover



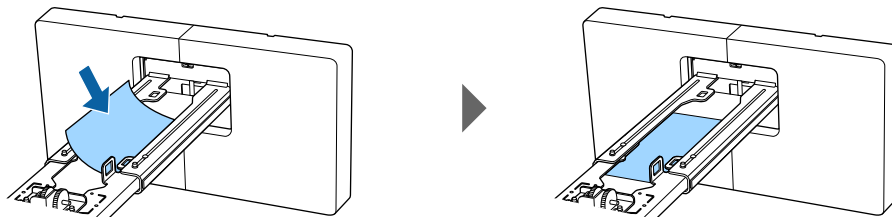
2 Attach the right wall plate cover



3 Fit the end cap to the arm unit

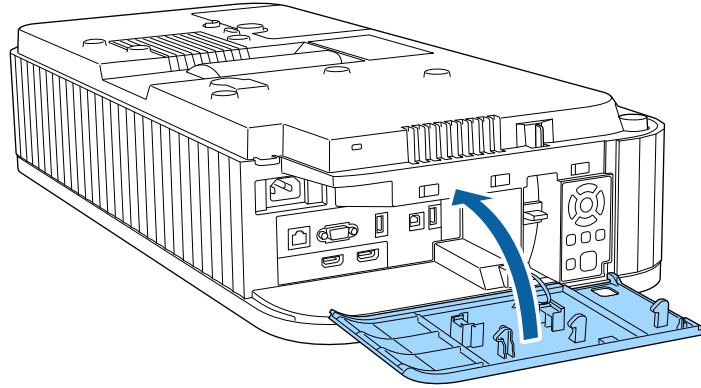


If you are concerned about the groove in the arm, stick the supplied masking sticker.



4

Attach the side cover to the projector



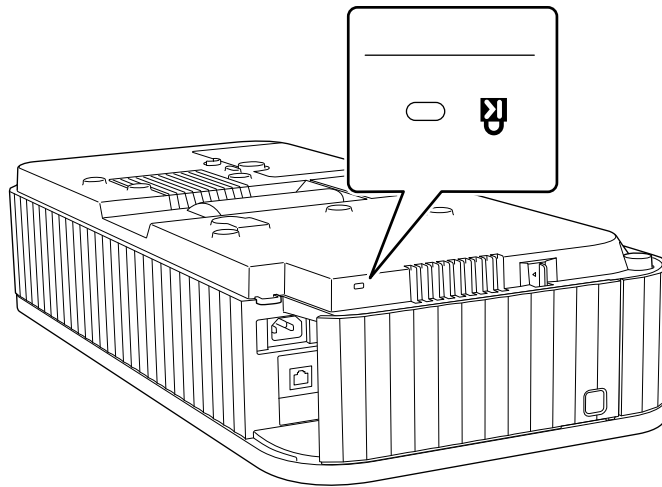
Attaching a Security Cable

If necessary, attach a security cable as a security measure.

- Install a security wire from Kensington

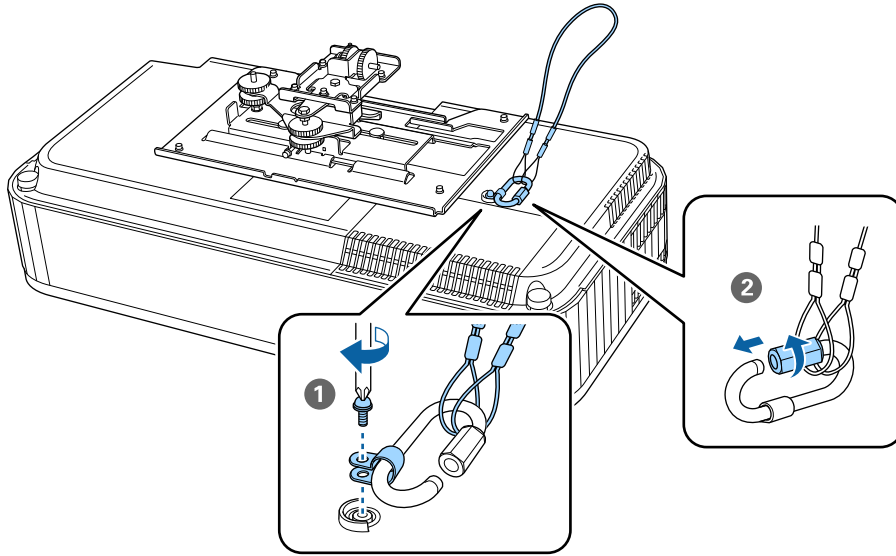
The security slot on this product is compatible with the Microsaver Security System manufactured by Kensington. See the following for more details on the Microsaver Security System.

<http://www.kensington.com/>

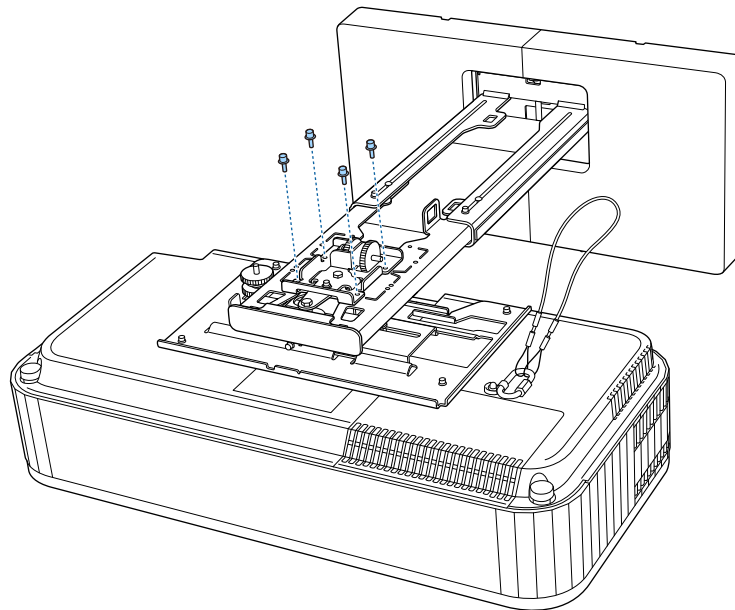


Attaching the Safety Wire

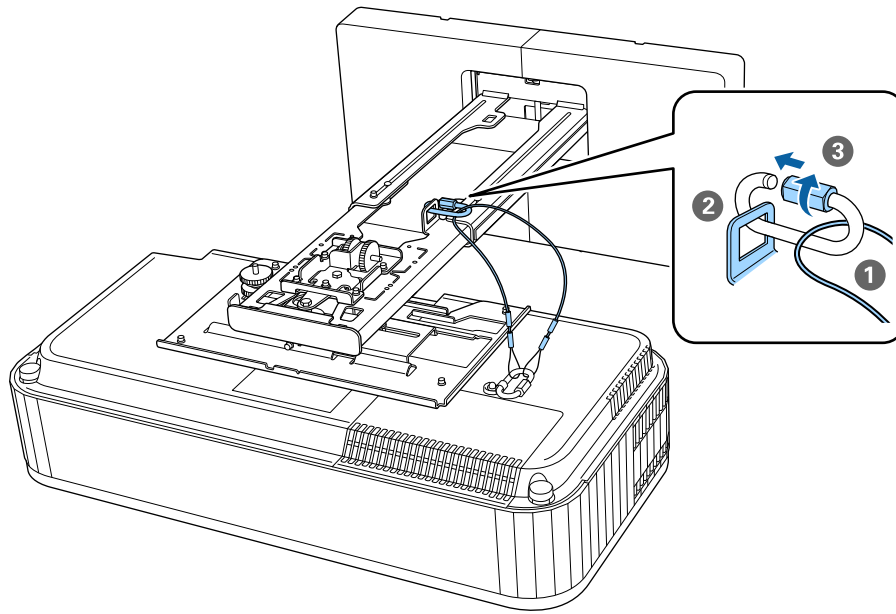
1 Attach the carabiner and the safety wire to the bottom of the projector using the clamp



2 Place the projector into the arm unit and tighten the screws.



- 3** Attach a carabiner to the hole in the arm section of the arm unit and pass the safety wire through it.



Batch Setup Function

After making the projector's menu settings for one projector, you can copy the settings to other projectors (batch setup function). The batch setup function is only for projectors with the same model number.

Use one of the following methods.

- Setup using a USB flash drive.
- Setup by connecting the computer and projector with a USB cable.



- If you do not want to copy the following settings, set **Batch Setup Range** to **Limited**.
 - **EDID** from the **Signal I/O** menu
 - **Network** menu
- Perform batch setup before adjusting the position of the projectors. The batch setup function copies adjustment values for the projected image such as Geometry Correction. If batch setup is performed after adjusting the position of the projectors, the adjustments you made may change.



Caution

Performing batch setup is the customer's responsibility. If batch setup fails due to an accident such as a power failure, communication error, the customer is responsible for any repair costs incurred.

Setup Using a USB flash drive

This section explains how to perform batch setup using a USB flash drive.



- Use a FAT format USB flash drive.
- The batch setup function cannot be used by USB flash drives that incorporate security functions. Use a USB flash drive that does not incorporate security functions.
- The batch setup function cannot be used by USB card readers or USB hard disks.

■ Saving settings to the USB flash drive

1 Disconnect the power cord from the projector, and check that the status indicator has turned off

2 Connect the USB flash drive to the projector's USB-A port



- Connect the USB flash drive directly to the projector. If the USB flash drive is connected to the projector through a USB hub, the settings may not be saved correctly.
- Connect an empty USB flash drive. If the USB flash drive contains data other than the batch setup file, the settings may not be saved correctly.
- The file name for the batch setup file is PJCONFDATA.bin. If you need to change the file name, add text after PJCONFDATA. If you change the PJCONFDATA section of the file name, the projector may not be able to recognize the file correctly.
- You can only use single-byte characters for the file name.

- 3 While holding down the [Esc] button on the remote control or the control panel, connect the power cord to the projector

When the status indicator turns on, release the [Esc] button.

When the indicator starts flashing, the batch setup file is being written.

Caution

- Do not disconnect the power cord from the projector while the file is being written. If the power cord is disconnected, the projector may not start correctly.
- Do not disconnect the USB flash drive from the projector while the file is being written. If the USB flash drive is disconnected, the projector may not start correctly.

When writing is completed normally, the projector and the status indicator turn off.

When the power turns off, remove the USB flash drive.

■ Copying saved settings to other projectors

- 1 Disconnect the power cord from the projector, and check that the status indicator has turned off

- 2 Connect the USB flash drive containing the saved batch setup file to the projector's USB-A port



Do not store any data except for the batch setup file on the USB flash drive. If the USB flash drive contains data other than the batch setup file, the settings may not be copied correctly.

- 3 While holding down the [Menu] button on the remote control or the control panel, connect the power cord to the projector

When the status indicator turns on, release the [Menu] button. The indicators turn on for approximately 75 seconds.

When the indicator starts flashing, the settings are being written.

Caution

- Do not disconnect the power cord from the projector while the settings are being written. If the power cord is disconnected, the projector may not start correctly.
- Do not disconnect the USB flash drive from the projector while the settings are being written. If the USB flash drive is disconnected, the projector may not start correctly.

When writing is completed normally, the projector and the status indicator turn off.

When the power turns off, remove the USB flash drive.

Setup by Connecting the Computer and Projector with a USB Cable



The following operating systems support the batch setup function.

- Windows 10 and later
- macOS 10.13.x and later

■ Saving settings to a computer

1 Disconnect the power cord from the projector, and check that the status indicator has turned off

2 Connect the computer's USB port to the projector's USB-B port with a USB cable

3 While holding down the [Esc] button on the remote control or the control panel, connect the power cord to the projector

When the status indicator turns on, release the [Esc] button.

The projector is recognized as a removable disk by the computer.

4 Open the removable disk, and save the batch setup file (PJCONFDATA.bin) to the computer



If you need to change the name of the batch setup file, add text after PJCONFDATA. If you change the PJCONFDATA section of the file name, the projector may not be able to recognize the file correctly. You can only use single-byte characters for the file name.

5 Perform "Remove USB device" on your computer, and then disconnect the USB cable



When using a Mac, perform "Remove EPSON_PJ".

The projector and the status indicator turn off.

■ Copying saved settings to other projectors

1 Disconnect the power cord from the projector, and check that the status indicator has turned off

2 Connect the computer's USB port to the projector's USB-B port with a USB cable

- 3** While holding down the [Menu] button on the remote control or the control panel, connect the power cord to the projector

When the status indicator turns on, release the [Menu] button.

The projector is recognized as a removable disk by the computer.

- 4** Copy the batch setup file (PJCONFDATA.bin) that you saved to your computer to the top-level folder of the removable disk



Do not copy any files or folders other than the batch setup file to the removable disk.

- 5** Perform "Remove USB device" on your computer, and then disconnect the USB cable



When using a Mac, perform "Remove EPSON_PJ".

When the indicator starts flashing, the settings are being written.



Caution

Do not disconnect the power cord from the projector while the settings are being written. If the power cord is disconnected, the projector may not start correctly.
















When writing is completed normally, the projector and the status indicator turn off.






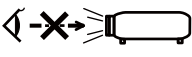










When Setup Fails

The batch setup file may be corrupt, or the USB flash drive or USB cable may not be connected correctly. Disconnect the USB flash drive or the USB cable, unplug and then plug in the projector's power cord, and then try again.

List of Safety Symbols

The following table lists the meaning of the safety symbols labeled on the equipment.

Symbol mark	Approved standards	Meaning
	IEC60417 No.5007	Power On To indicate connection to the mains.
	IEC60417 No.5008	Power Off To indicate disconnection from the mains.
	IEC60417 No.5009	Standby To identify the switch or switch position by means of which part of the equipment is switched on in order to bring it into the standby condition.
	ISO7000 No.0434B IEC3864-B3.1	Caution To identify general caution when using the product.
	IEC60417 No.5041	Caution, hot surface To indicate that the marked item can be hot and should not be touched without taking care.
	IEC60417 No.6042 ISO3864-B3.6	Caution, risk of electric shock To identify equipment that presents a risk of electric shock.
	IEC60417 No.5957	For indoor use only To identify electrical equipment designed primarily for indoor use.
	IEC60417 No.5926	Polarity of d.c. power connector To identify the positive and negative connections (the polarity) on a piece of equipment to which a d.c. power supply may be connected.
	---	
	IEC60417 No.5001B	Battery, general On battery powered equipment. To identify a device for instance a cover for the battery compartment, or the connector terminals.
	IEC60417 No.5002	Positioning of battery To identify the battery holder itself and to identify the positioning of the batteries inside the battery holder.
	---	
	IEC60417 No.5019	Protective earth To identify any terminal which is intended for connection to an external conductor for protection against electric shock in case of a fault, or the terminal of a protective earth electrode.
	IEC60417 No.5017	Earth To identify an earth (ground) terminal in cases where the  is not explicitly required.

Symbol mark	Approved standards	Meaning
	IEC60417 No.5032	Alternating current To indicate that the equipment is suitable for alternating current only; to identify relevant terminals.
	IEC60417 No.5031	Direct current To indicate that the equipment is suitable for direct current only; to identify relevant terminals.
	IEC60417 No.5172	Class II equipment To identify equipment meeting the safety requirements specified for Class II equipment according to IEC 61140.
	ISO 3864	General prohibition To identify actions or operations that are prohibited.
	ISO 3864	Contact prohibition To indicate injury that could occur due to touching a specific part of the equipment.
	---	Never look into the projection lens while the projector is on.
	---	To indicate that you must never place anything on the projector.
	ISO3864 IEC60825-1	Caution, laser radiation To indicate the equipment has a laser radiation part.
	ISO 3864	Disassembly prohibition To indicate a risk of injury, such as electric shock, if the equipment is disassembled.
	IEC60417 No.5266	Standby, partial standby To indicate that part of the equipment is in the ready status.
	ISO3864 IEC60417 No.5057	Caution, movable parts To indicate that you must keep away from movable parts according to protection standards.
	IEC 60417-6056	Caution, movable fan blades To indicate that you must keep away from the blades of the movable fan according to protection standards.
	IEC 60417-6043	Caution, sharp corners To indicate that you must not touch the sharp corners of the product according to protection standards.
	--	Never look into the projection lens while the projector is on.
	ISO7010 No. W027 ISO 3864	Warning, light emission (UV, visible light, IR and so on) To indicate that you must be careful not to injure your eyes or skin when near light emitting sections.
	IEC60417 No.5109	Not to be used in residential areas To indicate that the electrical equipment/device is not suitable for use in a residential area.

**Indication of the manufacturer and the importer in accordance with requirements of directive 2011/65/
EU (RoHS)**

Manufacturer: SEIKO EPSON CORPORATION

Address: 3-5, Owa 3-chome, Suwa-shi, Nagano-ken 392-8502 Japan

Telephone: 81-266-52-3131

<http://www.epson.com/>

Importer: SEIKO EUROPE B.V.

Address: Azië building, Atlas Arena, Hoogoorddreef 5, 1101 BA Amsterdam Zuidoost The Netherlands

Telephone: 31-20-314-5000

<http://www.epson.eu/>



General Notice

Mac and OS X are trademarks of Apple Inc.

Microsoft and Windows are trademarks or registered trademarks of Microsoft Corporation in the United States and/or other countries.

HDMI, the HDMI logo, and High-Definition Multimedia Interface are trademarks or registered trademarks of HDMI Licensing Administrator, Inc.



© 2024 Seiko Epson Corporation

2025.2 Rev.01