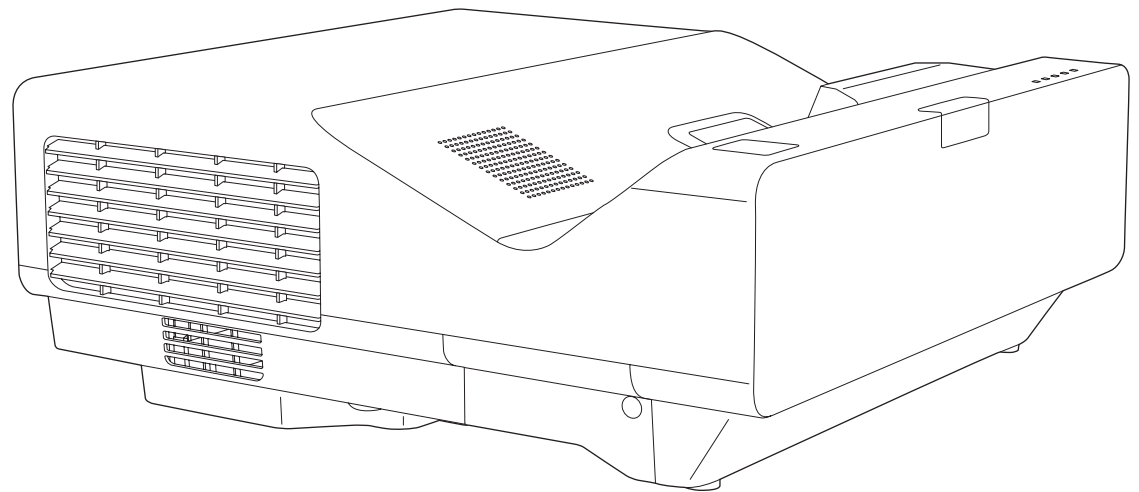


EPSON

EB-775F	ELPMB62	ELPMB29
EB-770Fi	ELPFT01	ELPMB23
EB-770F	ELPMB63	ELPFP13
EB-760Wi		ELPFP14
EB-760W		

Specifications



Content

About This Document	3
Projector Specifications	3
Mechanical Specifications	3
Interface.....	3
Dimensions.....	4
Optional Mounts.....	5
Optional Products for Interactive Features (EB-770Fi/EB-760Wi)	5
Internal Specifications	5
Remote Control Operation	6
Projection Distance Formula.....	7
Supported Monitor Display Resolutions	9
Application and System Requirements.....	14
Interactive Features Specifications (EB-770Fi/EB-760Wi)	15
Computer Interactive Mode System Requirements	15
Interactive Features Input and Output Specifications.....	15
Input and Output Specifications	16
Supported PC Free File Types.....	16
Installation Position and Environment	17
Installation Position	17
Installation Environment	18
Projection Surface	18
When Installing Multiple Projectors	18
Mounts Specifications	19
Setting Plate (ELPMB62)	19
External Dimensions	20
Adjustment Range.....	25
Ceiling Mount (ELPMB23)	26
Weight.....	26
ELPMB23 Dimensions.....	26
ELPMB23+ELPFP13/ELPFP14 Dimensions.....	27
Interactive Table Mount (ELPMB29)	28
Weight.....	28
ELPMB29 Dimensions.....	28
Projection Distance (Table Projection)	29
Peripheral Equipment	30
Touch Unit (ELPFT01)	30
Dimensions.....	31
Touch Unit Bracket (ELPMB63)	32
Dimensions.....	32
Adjustment Range	32
Pen Stand	33
Dimensions.....	33
Monitoring and Control	33
Projector Control Commands	33
ESC/VP21 Command List	33
PJLink Command List.....	41
Art-Net Channel Definitions (EB-775F/EB-770F)	42
Appendix	43
Trademarks	43
Cautions	43
Disclaimer	43

About This Document

This document contains specification information of your projector and optional accessories such as external devices and mounts. See your projector's User's Guide and Installation Guide for more details.

Projector Specifications

This projector projects an ultra short-throw laser display.
This projector series includes three types of projectors as follows.

Content Playback Model (EB-775F/EB-770F)

This projector contains the Content Playback feature that allows you to project digital signage content at places such as museums, showrooms and stores.
You can project photos or movies registered to your playlists and add color and shape effects to your projected image.

Interactive Models (EB-770Fi/EB-760Wi)

This projector contains the interactive features that allows you to annotate on the projected screen using the interactive pen or your finger. You can also use interactive pens or your finger as you would use a mouse.

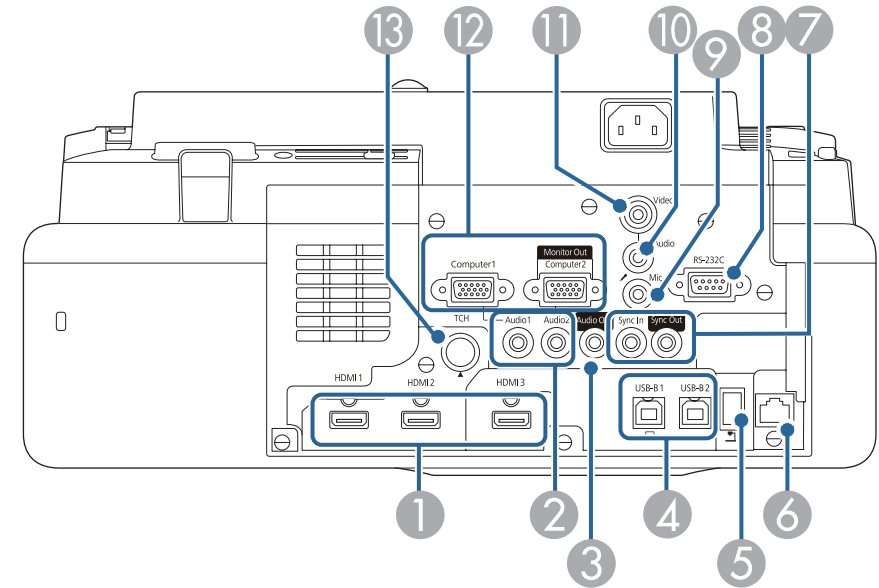
Standard Model (EB-760W)

This projector contains basic projector features.

Mechanical Specifications

Item		EB-775F	EB-770Fi	EB-770F	EB-760Wi	EB-760W
Dimensions	Maximum	W357xH165xD395 mm				
	Not including raised section and cable cover	W356xH133xD395 mm				
Weight		Approx. 5.9 kg	Approx. 6.0 kg	Approx. 5.9 kg	Approx. 6.0 kg	Approx. 5.9 kg
Speaker	Number	1				
	Max. audio output	16 W (Monaural)				

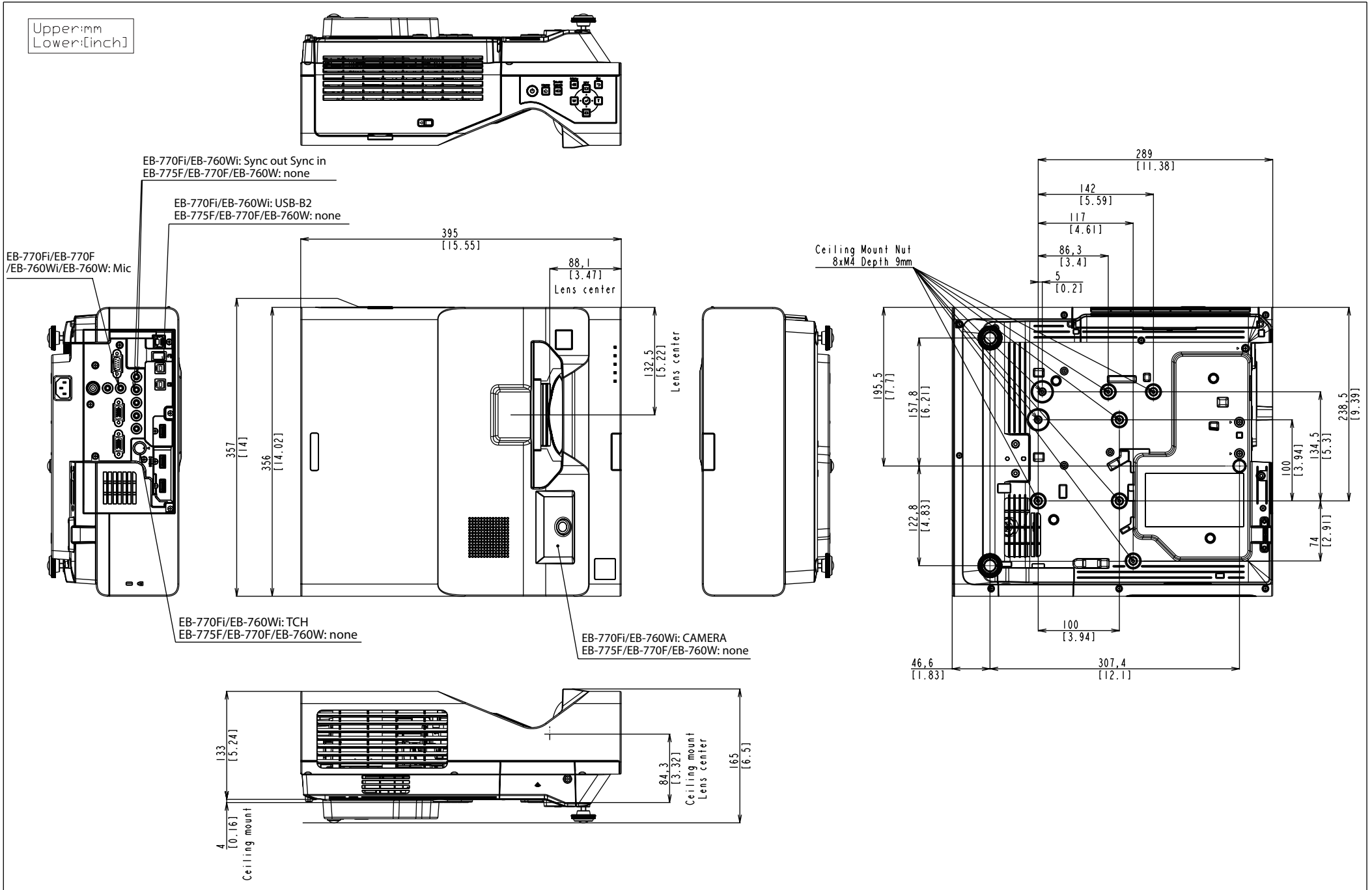
Interface



No	Name
①	HDMI1/HDMI2/HDMI3 port (HDMI)
②	Audio1/Audio2 port (stereo mini)
③	Audio Out port (stereo mini)
④	USB-B1/USB-B2 port (USB Type-B) (EB-770Fi/EB-760Wi) USB-B port (USB Type-B) (EB-775F/EB-770F/EB-760W)
⑤	USB-A port (USB Type-A)
⑥	LAN port (RJ-45: 100Base-TX)
⑦	Sync In/Out port (stereo mini) (EB-770Fi/EB-760Wi)
⑧	RS-232C port (D-Sub 9pin)
⑨	Mic port (stereo mini)
⑩	Video port (composite RCA)
⑪	Audio port (stereo mini)
⑫	Computer 1 port (mini D-Sub15pin) Computer 2/Monitor Out port* (mini D-Sub15pin)
⑬	TCH port for connecting the Touch Unit (mini DIN 8pin) (EB-770Fi/EB-760Wi)

* Select the projector's [Signal I/O] > [Monitor Out Port] setting to set the behavior of this port.

Dimensions



Optional Mounts

Item		EB-775F	EB-770Fi	EB-770F	EB-760Wi	EB-760W
Setting plate	ELPMB62			✓		
Ceiling mount	ELPMB23			✓		
	Ceiling pipe (450 mm)		ELPPF13		✓	
	Ceiling pipe (700 mm)		ELPPF14		✓	
Interactive Table Mount	ELPMB29			✓		

About Replacement Installations

You can replace the projector attached with the following mounts with EB-770Fi/EB-760Wi. For details, refer to the "Installation Guide".

- ELPMB28
- ELPMB43
- ELPMB46

Optional Products for Interactive Features (EB-770Fi/EB-760Wi)

Item		EB-770Fi	EB-760Wi
Touch Unit	ELPFT01	✓	
Touch Unit Bracket	ELPMB63	✓	

Internal Specifications

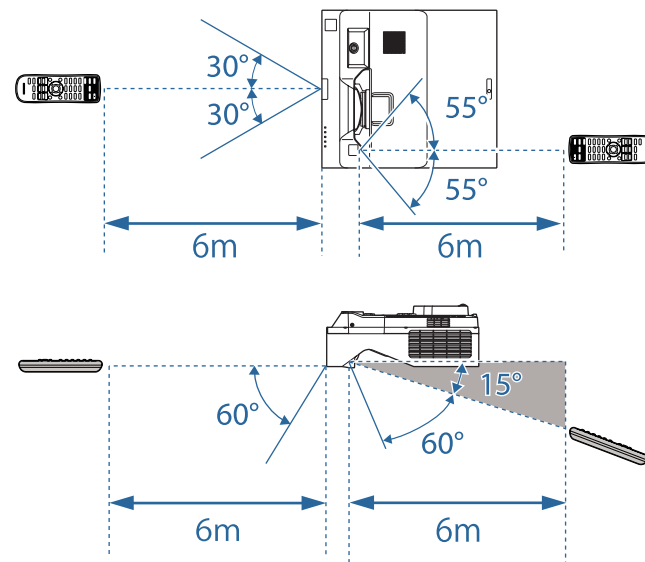
Item		EB-775F	EB-770Fi	EB-770F	EB-760Wi	EB-760W	
Projection system		RGB liquid crystal shutter					
LCD panel	Size (diagonal)	0.62"		0.59"			
	Display method	Poly-silicon TFT active matrix					
	Pixel number	2,073,600 dots Full HD (W 1,920 × H 1,080 dots) × 3			1,024,000 dots WXGA (W 1,280 × H 800 dots) × 3		
	Aspect ratio	16:9			16:10		
Projection lens	Lens	F-number	1.6				
		Focal length	3.7 mm				
	Zoom	System	Digital				
		Method	Manual				
		Ratio	1.0 - 1.35				
	Focus	Method	Manual				
	Screen size (Wide)	4:3	49" - 123"		53" - 132"		
		16:6	56" - 140"		-		
		16:9	60" - 150"		58" - 146"		
		16:10	55" - 139"		60" - 150"		
		21:9	57" - 142"		-		
	Screen size with interactive features (Wide)	4:3	-	49" - 100"	-	60" - 100"	-
		16:6	-	56" - 110"	-	-	-
16:9		-	60" - 100"	-	53" - 100"	-	
16:10		-	56" - 100"	-	58" - 100"	-	
21:9		-	57" - 110"	-	-	-	
Throw ratio	Wide	0.25			0.27		
	Tele	0.35			0.37		
Light source	Type	Laser diode					
	Output power	Up to 97 W					
	Wavelength	449 - 461 nm					
	Life ^{*1}	Up to about 20,000 hours (Light Source Mode: Normal or Quiet) Up to about 30,000 hours (Light Source Mode: Extended)					
Brightness/ Image quality	Brightness ^{*2}	4,100 lm (Light Source Mode: Normal) 2,800 lm (Light Source Mode: Quiet or Extended)					
	Contrast ratio ^{*2}	Over 5,000,000:1 (Dynamic Contrast: On)					
	Color reproduction	Approx. 1,070 million colors (Depends on the interface)					
Power supply		100 - 240V AC±10% 50/60Hz 2.8 - 1.3 A					

Item		EB-775F	EB-770Fi	EB-770F	EB-760Wi	EB-760W
Power consumption	Operating	100 - 120 V	277 W			
		220 - 240 V	263 W			
	Standby	Communication: On	2.0 W			
		Communication: Off	0.5 W			
Scanning frequency	Analog	Pixel clock	25.18 MHz - 162 MHz			
		Horizontal	31.25 kHz - 92 kHz			
		Vertical	50 Hz - 85 Hz			
	Digital	Pixel clock	25.175 MHz - 594 MHz			
		Horizontal	15 kHz - 135 kHz			
		Vertical	23.98/24/25/29.97/30/50/59.94/60 Hz			
Operation environment	Altitude		Altitude 0 - 3,048 m			
	Temperature*3	When using a single projector installation	Altitude of 0 to 2,286 m: 0 to +40°C (No condensation) Altitude of 2,287 to 3,048 m: 0 to +35°C (Humidity of 20 to 80%, No condensation)			
		When using a multiple projector installation	Altitude of 0 to 2,286 m: 0 to +35°C (No condensation) Altitude of 2,287 to 3,048 m: 0 to +30°C (Humidity of 20 to 80%, No condensation)			
	Storage temperature		-10 to +60°C (No condensation)			
	Heat output (maximum)	100 - 120 V	942 BTU/Hour			
		220 - 240 V	895 BTU/Hour			
	Fan noise*2		37 dB (Light Source Mode: Normal or Extended) 27 dB (Light Source Mode: Quiet)			
Exhaust air volume (maximum)		45.5 CFM				
Wireless communication*4	Standard	Wireless LAN	IEEE 802.11b/g/n (2.4GHz) (DSSS/CCK, OFDM) IEEE 802.11a/n/ac (5GHz) (OFDM)			
		Screen Mirroring	IEEE 802.11b/g/n (2.4GHz) (OFDM) IEEE 802.11a/n/ac (5GHz) (OFDM)			
	Security type*5	Wireless LAN	WPA2/WPA3-PSK, WPA2/WPA3-EAP WPA3-PSK, WPA3-EAP (EAP type: PEAP/ PEAP-TLS/ EAP-TLS/ EAP-Fast)			
		Screen Mirroring	WPA2-PSK (AES)			

- *1 Approximate time until the light source brightness decreases to half of its original value.
(Assuming the projector is used in an atmosphere in which airborne particulate matter is less than 0.04 to 0.2mg/ m³. The estimated time varies depending on the projector usage and operating conditions.)
- *2 Measurement, measuring conditions, and method of notation all comply with ISO 21118 international standards.
- *3 Light source brightness automatically dims if the surrounding temperature gets too high. (Approximately 35°C at an altitude of 0 to 2,286 m, and approximately 30°C at an altitude of 2,287 to 3,048 m; however, this may vary depending on the surrounding environment.)
- *4 Wi-Fi 5 is supported. Roaming is not supported.
- *5 WPA2/WPA3-EAP and WPA3-EAP do not support WPA3 192-bit.

Remote Control Operation

Make sure that you aim the remote control at the projector's receivers within the distance and angles listed here.



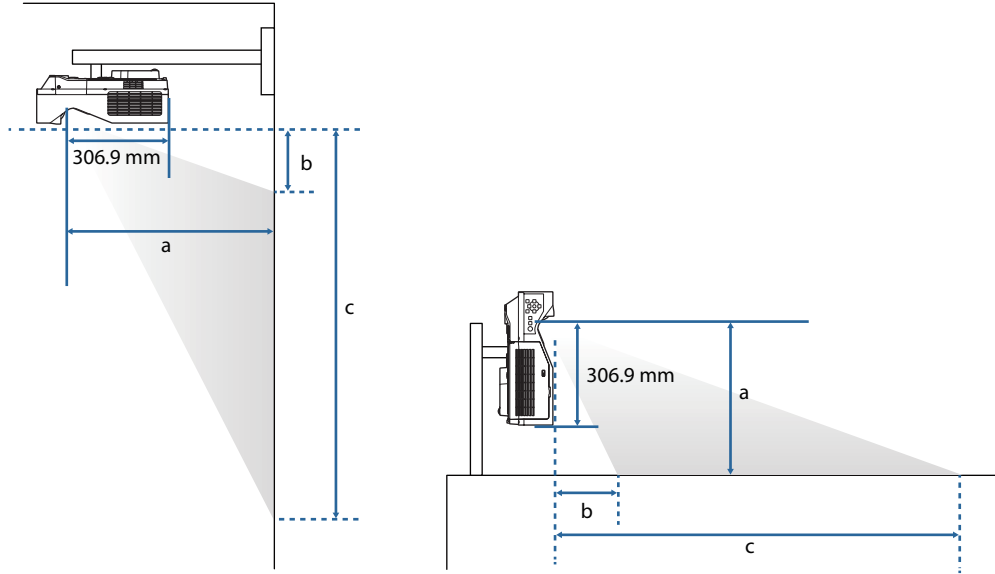
Projection Distance Formula

You can calculate the projection distance using the following formulas.

You can see a more detailed projection simulation on our Web site.

<https://epson.com/>

The installation work (wall mounting) should be performed by specialists who have technical knowledge and ability.



EB-775F/EB-770Fi/EB-770F

<Screen aspect ratio 16:9>

Projection distance formula	
Minimum (Wide)	a (mm) = Projection screen size (inch) ×6.3069 - 53.0074 b (mm) = Projection screen size (inch) ×2.9767 - 62.67 c (mm) = Projection screen size (inch) ×15.4294 - 62.67
Maximum (Tele)	a (mm) = Projection screen size (inch) ×8.5143 - 53.0074 b (mm) = Projection screen size (inch) ×6.1978 - 62.67 c (mm) = Projection screen size (inch) ×18.6505 - 62.67

<Screen aspect ratio 4:3>

Projection distance formula	
Minimum (Wide)	a (mm) = Projection screen size (inch) ×7.7186 - 53.0074 b (mm) = Projection screen size (inch) ×3.6431 - 62.67 c (mm) = Projection screen size (inch) ×18.8831 - 62.67
Maximum (Tele)	a (mm) = Projection screen size (inch) ×10.4201 - 53.0074 b (mm) = Projection screen size (inch) ×7.5851 - 62.67 c (mm) = Projection screen size (inch) ×22.8251 - 62.67

<Screen aspect ratio 16:10>

Projection distance formula	
Minimum (Wide)	a (mm) = Projection screen size (inch) ×6.8181 - 53.0074 b (mm) = Projection screen size (inch) ×3.218 - 62.67 c (mm) = Projection screen size (inch) ×16.68 - 62.67
Maximum (Tele)	a (mm) = Projection screen size (inch) ×9.2044 - 53.0074 b (mm) = Projection screen size (inch) ×6.7002 - 62.67 c (mm) = Projection screen size (inch) ×20.1621 - 62.67

<Screen aspect ratio 16:6>

When Screen Position is in the middle	Minimum (Wide)	a (mm) = Projection screen size (inch) ×6.7755 - 53.0074 b (mm) = Projection screen size (inch) ×5.4275 - 62.67 c (mm) = Projection screen size (inch) ×14.3461 - 62.67
	Maximum (Tele)*	a (mm) = Projection screen size (inch) ×9.1469 - 53.0074 b (mm) = Projection screen size (inch) ×8.8879 - 62.67 c (mm) = Projection screen size (inch) ×17.8065 - 62.67
When Screen Position is at the top	Minimum (Wide)	a (mm) = Projection screen size (inch) ×6.7755 - 53.0074 b (mm) = Projection screen size (inch) ×3.1979 - 62.67 c (mm) = Projection screen size (inch) ×12.1164 - 62.67
	Maximum (Tele)*	a (mm) = Projection screen size (inch) ×9.1469 - 53.0074 b (mm) = Projection screen size (inch) ×4.3172 - 62.67 c (mm) = Projection screen size (inch) ×16.3572 - 62.67

* When the image is shifted to the topmost position using the Image Shift feature.

<Screen aspect ratio 21:9>

When Screen Position is in the middle	Minimum (Wide)	a (mm) = Projection screen size (inch) ×6.6511 - 53.0074 b (mm) = Projection screen size (inch) ×4.7026 - 62.67 c (mm) = Projection screen size (inch) ×14.7081 - 62.67
	Maximum (Tele)*	a (mm) = Projection screen size (inch) ×8.979 - 53.0074 b (mm) = Projection screen size (inch) ×8.0995 - 62.67 c (mm) = Projection screen size (inch) ×18.105 - 62.67
When Screen Position is at the top	Minimum (Wide)	a (mm) = Projection screen size (inch) ×6.6511 - 53.0074 b (mm) = Projection screen size (inch) ×1.5809 - 62.67 c (mm) = Projection screen size (inch) ×6.6197 - 62.67
	Maximum (Tele)*	a (mm) = Projection screen size (inch) ×8.979 - 53.0074 b (mm) = Projection screen size (inch) ×2.1342 - 62.67 c (mm) = Projection screen size (inch) ×8.9365 - 62.67

* When the image is shifted to the topmost position using the Image Shift feature.

EB-760Wi/EB-760W

<Screen aspect ratio 16:10>

Projection distance formula	
Minimum (Wide)	a (mm) = Projection screen size (inch) ×6.5352 - 52.4359 b (mm) = Projection screen size (inch) ×2.8051 - 62.67 c (mm) = Projection screen size (inch) ×16.2671 - 62.67
Maximum (Tele)	a (mm) = Projection screen size (inch) ×8.8225 - 52.4359 b (mm) = Projection screen size (inch) ×6.1428 - 62.67 c (mm) = Projection screen size (inch) ×19.6048 - 62.67

<Screen aspect ratio 4:3>

Projection distance formula	
Minimum (Wide)	a (mm) = Projection screen size (inch) ×7.3983 - 52.4359 b (mm) = Projection screen size (inch) ×3.1756 - 62.67 c (mm) = Projection screen size (inch) ×18.4156 - 62.67
Maximum (Tele)	a (mm) = Projection screen size (inch) ×9.9877 - 52.4359 b (mm) = Projection screen size (inch) ×6.9541 - 62.67 c (mm) = Projection screen size (inch) ×22.1941 - 62.67

<Screen aspect ratio 16:9>

Projection distance formula	
Minimum (Wide)	a (mm) = Projection screen size (inch) ×6.7169 - 52.4359 b (mm) = Projection screen size (inch) ×3.5749 - 62.67 c (mm) = Projection screen size (inch) ×16.0276 - 62.67
Maximum (Tele)	a (mm) = Projection screen size (inch) ×9.0677 - 52.4359 b (mm) = Projection screen size (inch) ×7.0054 - 62.67 c (mm) = Projection screen size (inch) ×19.458 - 62.67

Supported Monitor Display Resolutions

HDMI

Signal Information				HDMI												
Mode	Resolution	Refresh Rate [Hz]	Link	YCbCr									RGB			
				4:2:0			4:2:2			4:4:4			RGB			
				8	10	12	8	10	12	8	10	12	8	10	12	
PC	640 x 480	59.94p	Single	-	-	-	-	-	-	-	-	-	-	✓	-	-
PC	800 x 600	60.32p	Single	-	-	-	-	-	-	-	-	-	-	✓	-	-
PC	1024 x 768	60p	Single	-	-	-	-	-	-	-	-	-	-	✓	-	-
PC	1280 x 800	59.81p	Single	-	-	-	-	-	-	-	-	-	-	✓	-	-
PC	1280 x 960	60p	Single	-	-	-	-	-	-	-	-	-	-	✓	-	-
PC	1280 x 1024	60.02p	Single	-	-	-	-	-	-	-	-	-	-	✓	-	-
PC	1366 x 768	59.79p	Single	-	-	-	-	-	-	-	-	-	-	✓	-	-
PC	1400 x 1050	59.98p	Single	-	-	-	-	-	-	-	-	-	-	✓	-	-
PC	1440 x 900	59.89p	Single	-	-	-	-	-	-	-	-	-	-	✓	-	-
PC	1600 x 900	60p	Single	-	-	-	-	-	-	-	-	-	-	✓	-	-
PC	1600 x 1200	60p	Single	-	-	-	-	-	-	-	-	-	-	✓	-	-
PC	1680 x 1050	59.95p	Single	-	-	-	-	-	-	-	-	-	-	✓	-	-
PC	1920 x 1200	59.95p	Single	-	-	-	-	-	-	-	-	-	-	✓	-	-
PC	2048 x 1536	59.95p	Single	-	-	-	-	-	-	-	-	-	-	-	-	-
PC	2560 x 1440	59.95p	Single	-	-	-	-	-	-	-	-	-	-	-	-	-
PC	2560 x 1600	59.97p	Single	-	-	-	-	-	-	-	-	-	-	-	-	-
PC	1920 x 720	60p	Single	-	-	-	-	-	-	-	-	-	-	✓*2	-	-
PC	1920 x 810	60p	Single	-	-	-	-	-	-	-	-	-	-	✓*2	-	-
PC	3240 x 1080	60p	Single	-	-	-	-	-	-	-	-	-	-	-	-	-
PC	3440 x 1440	30p	Single	-	-	-	-	-	-	-	-	-	-	-	-	-

Signal Information				HDMI											
Mode	Resolution	Refresh Rate [Hz]	Link	YCbCr									RGB		
				4:2:0			4:2:2			4:4:4			RGB		
				8	10	12	8	10	12	8	10	12	8	10	12
Video	720 x 480	59.94p	Single	-	-	-	✓	-	-	✓	-	-	✓	-	-
Video	720 x 576	50p	Single	-	-	-	✓	-	-	✓	-	-	✓	-	-
Video	1280 x 720	50p	Single	-	-	-	✓	-	-	✓	-	-	✓	-	-
Video	1280 x 720	59.94p	Single	-	-	-	✓	-	-	✓	-	-	✓	-	-
Video	1280 x 720	60p	Single	-	-	-	✓	-	-	✓	-	-	✓	-	-
Video *1	720 x 480	59.94i	Single	-	-	-	✓	-	-	✓	-	-	✓	-	-
Video *1	720 x 576	50i	Single	-	-	-	✓	-	-	✓	-	-	✓	-	-
Video	1920 x 1080	23.98p	Single	-	-	-	✓	-	-	✓	-	-	✓	-	-
Video	1920 x 1080	24p	Single	-	-	-	✓	-	-	✓	-	-	✓	-	-
Video	1920 x 1080	25p	Single	-	-	-	-	-	-	-	-	-	-	-	-
Video	1920 x 1080	29.97p	Single	-	-	-	✓	-	-	✓	-	-	✓	-	-
Video	1920 x 1080	30p	Single	-	-	-	✓	-	-	✓	-	-	✓	-	-
Video	1920 x 1080	50p	Single	-	-	-	✓	-	-	✓	-	-	✓	-	-
Video	1920 x 1080	59.94p	Single	-	-	-	✓	-	-	✓	-	-	✓	-	-
Video	1920 x 1080	60p	Single	-	-	-	✓	-	-	✓	-	-	✓	-	-
Video	1920 x 1080	50i	Single	-	-	-	✓	-	-	✓	-	-	✓	-	-
Video	1920 x 1080	59.94i	Single	-	-	-	✓	-	-	✓	-	-	✓	-	-
Video	1920 x 1080	60i	Single	-	-	-	✓	-	-	✓	-	-	✓	-	-

Signal Information				HDMI											
Mode	Resolution	Refresh Rate [Hz]	Link	YCbCr									RGB		
				4:2:0			4:2:2			4:4:4					
				8	10	12	8	10	12	8	10	12	8	10	12
Video	2560 x 1080	50p	Single	-	-	-	-	-	-	-	-	-	-	-	-
Video	2560 x 1080	59.94p	Single	-	-	-	-	-	-	-	-	-	-	-	-
Video	2560 x 1080	60p	Single	-	-	-	-	-	-	-	-	-	✓*2	-	-
Video	3840 x 2160	23.98p	Single	-	-	-	✓	-	-	✓	-	-	✓	-	-
Video	3840 x 2160	24p	Single	-	-	-	✓	-	-	✓	-	-	✓	-	-
Video	3840 x 2160	25p	Single	-	-	-	✓	-	-	✓	-	-	✓	-	-
Video	3840 x 2160	29.97p	Single	-	-	-	✓	-	-	✓	-	-	✓	-	-
Video	3840 x 2160	30p	Single	-	-	-	✓	-	-	✓	-	-	✓	-	-
Video	3840 x 2160	50p	Single	✓	-	-	-	-	-	-	-	-	-	-	-
Video	3840 x 2160	59.94p	Single	✓	-	-	-	-	-	-	-	-	-	-	-
Video	3840 x 2160	60p	Single	✓	-	-	-	-	-	-	-	-	-	-	-
Video	4096 x 2160	23.98p	Single	-	-	-	✓	-	-	✓	-	-	✓	-	-
Video	4096 x 2160	24p	Single	-	-	-	✓	-	-	✓	-	-	✓	-	-
Video	4096 x 2160	25p	Single	-	-	-	-	-	-	-	-	-	-	-	-
Video	4096 x 2160	29.97p	Single	-	-	-	-	-	-	-	-	-	-	-	-
Video	4096 x 2160	30p	Single	-	-	-	-	-	-	-	-	-	-	-	-
Video	4096 x 2160	50p	Single	✓	-	-	-	-	-	-	-	-	-	-	-
Video	4096 x 2160	59.94p	Single	✓	-	-	-	-	-	-	-	-	-	-	-
Video	4096 x 2160	60p	Single	✓	-	-	-	-	-	-	-	-	-	-	-

■ Common note

Formats with a checkmark "✓" in 10 bit and 12 bit support Deep Color.

■ Note

*1: Pixel repetition: H active is 720 (1440).

*2: EB-775F/EB-770Fi/EB-770F only.

Analog

Signal Information			Composit	D-Sub			
Mode	Resolution	Refresh Rate [Hz]		YCbCr (SoY)	RGBHV		
			SS		CS	SoG	
PC	640 x 480	59.94p	-	-	✓	-	-
PC	640 x 480	72.81p	-	-	✓	-	-
PC	640 x 480	75p	-	-	✓	-	-
PC	640 x 480	85p	-	-	✓	-	-
PC	800 x 600	60.32p	-	-	✓	-	-
PC	800 x 600	72.19p	-	-	✓	-	-
PC	800 x 600	75p	-	-	✓	-	-
PC	800 x 600	85.06p	-	-	✓	-	-
PC	1024 x 768	60p	-	-	✓	-	-
PC	1024 x 768	70.07p	-	-	✓	-	-
PC	1024 x 768	75.03p	-	-	✓	-	-
PC	1024 x 768	85p	-	-	✓	-	-
PC	1152 x 864	70p	-	-	✓	-	-
PC	1152 x 864	75p	-	-	✓	-	-
PC	1152 x 864	85p	-	-	✓	-	-
PC	1280 x 768	59.87p	-	-	✓	-	-
PC	1280 x 800	59.81p	-	-	✓	-	-
PC	1280 x 800	74.93p	-	-	✓	-	-
PC	1280 x 800	84.88p	-	-	✓	-	-
PC	1280 x 960	60p	-	-	✓	-	-
PC	1280 x 960	75p	-	-	✓	-	-
PC	1280 x 960	85p	-	-	✓	-	-

Signal Information			Composit	D-Sub			
Mode	Resolution	Refresh Rate [Hz]		YCbCr (SoY)	RGBHV		
			SS		CS	SoG	
PC	1280 x 1024	60.02p	-	-	✓	-	-
PC	1280 x 1024	75.03p	-	-	✓	-	-
PC	1280 x 1024	85.02p	-	-	✓	-	-
PC	1366 x 768	59.79p	-	-	✓	-	-
PC	1400 x 1050	59.98p	-	-	✓	-	-
PC	1400 x 1050	74.87p	-	-	✓	-	-
PC	1440 x 900	59.89p	-	-	✓	-	-
PC	1440 x 900	74.98p	-	-	✓	-	-
PC	1440 x 900	84.84p	-	-	✓	-	-
PC	1600 x 900	60p	-	-	✓	-	-
PC	1600 x 1200	60p	-	-	✓	-	-
PC	1680 x 1050	59.95p	-	-	✓*1	-	-
PC	1920 x 1200	59.95p	-	-	✓	-	-
PC	2048 x 1536	59.95p	-	-	-	-	-
PC	2560 x 1440	59.95p	-	-	-	-	-
PC	2560 x 1600	59.97p	-	-	-	-	-

Signal Information			Composit	YCbCr (SoY)	D-Sub		
Mode	Resolution	Refresh Rate [Hz]			-	RGBHV	
			SS	CS		SoG	
Video	720 x 480	59.94i	✓	-	-	-	-
Video	720 x 576	50i	✓	-	-	-	-
Video	720 x 480	59.94p	-	-	✓	-	-
Video	720 x 576	50p	-	-	✓	-	-
Video	1280 x 720	50p	-	-	✓	-	-
Video	1280 x 720	59.94p	-	-	✓	-	-
Video	1280 x 720	60p	-	-	✓	-	-
Video	1920 x 1080	50i	-	-	-	-	-
Video	1920 x 1080	59.94i	-	-	-	-	-
Video	1920 x 1080	60i	-	-	-	-	-
Video	1920 x 1080	23.98p	-	-	-	-	-
Video	1920 x 1080	24p	-	-	-	-	-
Video	1920 x 1080	25p	-	-	-	-	-
Video	1920 x 1080	29.97p	-	-	-	-	-
Video	1920 x 1080	30p	-	-	-	-	-
Video	1920 x 1080	50p	-	-	✓	-	-
Video	1920 x 1080	59.94p	-	-	✓	-	-
Video	1920 x 1080	60p	-	-	✓	-	-

■ Common note

- SS: Separate Sync
- CS: Composit Sync
- SoY: Sync on Y
- SoG: Sync on Green

■ Note

*1: Only compatible when Wide is selected as the Resolution setting in the projector's Image menu.

Application and System Requirements

You can use the following applications with your projector. See the following Web site to check the system requirements and download the necessary application and manuals.

epson.sn/

Application	Details
USB Display	You can send video and audio output to the projector through the computer's USB port.
Easy Interactive Driver ^{*1}	You can control your Mac programs from the projected screen using computer interactive mode.
Easy Interactive Tools ^{*1}	You can print and save annotations on the projected images.
Epson iProjection (Windows/Mac)	You can project images from network projectors. You can project up to four images at the same time by splitting the projected screen.
Epson iProjection (iOS/Android)	You can project image from your mobile devices wirelessly.
Epson iProjection (Chromebook)	You can project image from your Chromebook wirelessly.
Epson Projector Management	You can check the status of multiple networked projectors and perform various projector operations from your computer.
Epson Wireless Transmitter Settings	You can use the optional wireless presentation system to quickly connect the projector to computers wirelessly and project your image.
Epson Projector Content Manager ^{*2}	You can create playlists that contain images, movies, or both. You can save them on a USB memory device and play them back from projectors.
Epson Creative Projection ^{*2}	You can easily create original content using a wide variety of templates.

*1 EB-770Fi/EB-760Wi only

*2 EB-775F/EB-770F only

USB Display System Requirements

To use the projector's Epson USB Display software, your computer must meet the following system requirements.

Requirement	Windows	Mac
Operating system	Windows 8.1 <ul style="list-style-type: none"> Windows 8.1 (32- and 64-bit) Windows 8.1 Pro (32- and 64-bit) Windows 8.1 Enterprise (32- and 64-bit) Windows 10 <ul style="list-style-type: none"> Windows 10 Home (32- and 64-bit) Windows 10 Pro (32- and 64-bit) Windows 10 Enterprise (32- and 64-bit) Windows 11 <ul style="list-style-type: none"> Windows 11 Home (64 bit) Windows 11 Pro (64 bit) Windows 11 Enterprise (64 bit) Windows 11 Education (64 bit) 	macOS <ul style="list-style-type: none"> 10.13.x (64 bit) 10.14.x (64 bit) 10.15.x (64 bit) 11.0.x (64 bit) 12.0.x (64 bit)
CPU	Intel Core2Duo or faster (Intel Core i3 or faster recommended)	Intel Core2Duo or faster (Intel Core i5 or faster recommended)
Memory	2 GB or more (4 GB or more recommended)	
Hard disk space	20 MB or more	
Display	Resolution between 640 × 480 and 1920 × 1200 16-bit color or more	

Interactive Features Specifications (EB-770Fi/EB-760Wi)

Computer Interactive Mode System Requirements

Your computer must use one of the following operating systems to use the computer interactive mode.

Requirements	Windows	Mac	Ubuntu
Operating system	Windows 8.1 <ul style="list-style-type: none"> Windows 8.1 (32- and 64-bit) Windows 8.1 Pro (32- and 64-bit) Windows 8.1 Enterprise (32- and 64-bit) 	macOS <ul style="list-style-type: none"> 10.12.x 10.13.x 10.14.x 10.15.x 	Ubuntu <ul style="list-style-type: none"> 16.04 LTS 18.04 LTS 19.04 22.10 22.04.1 LTS 20.04.5 LTS
	Windows 10 <ul style="list-style-type: none"> Windows 10 Home (32- and 64-bit) Windows 10 Pro (32- and 64-bit) 		
	Windows 11 <ul style="list-style-type: none"> Windows 11 Home (64 bit) Windows 11 Pro (64 bit) Windows 11 Enterprise (64 bit) Windows 11 Education (64 bit) 		

When you connect a computer to the projector using Screen Mirroring

Requirements	Windows	
Operating system	Windows 10	<ul style="list-style-type: none"> Support for UIBC (User Input Back Channel)

Interactive Features Input and Output Specifications

Supported input file format

You can read these types of files to the whiteboard.

You can use the image up to 1920 × 1080 resolution size as a background template. When you use the image with a smaller than 1920 × 1080, the image is placed in the center of the screen.

File Type	Item	Details
JPEG	Resolution	Recommend: 1920×1080 Maximum: 2048×2048
	Note	CMYK color and progressive format files are not supported
PNG	Resolution	Recommend: 1920×1080 Maximum: 2048×2048
	Note	24 bit color depth Transparent files and interlaced PNG are not supported
PDF	Version	1.7 or earlier
	Encrypt	Supported only password encryption
EWF2 (Epson Whiteboard Format)		

Supported output file format

You can save your drawings to these types of files.

File Type	Item	Details
JPEG	Resolution	1920×1080
PNG	Resolution	1920×1080
	Note	24 bit color depth
PDF	Version	1.5
	Encrypt	Password encryption 128 bit AES
EWF2 (Epson Whiteboard Format)	Maximum resolution	1920×1080

Supported Printers and Scanners

You can use printers that support these types of control commands.

If you want to scan a document, use the scan function of your printer.

Control Commands	Connection Method
ESC/P-R	USB or over a network
PCL6	Over a network

Network Folder Settings

Select the [Interactive] > [Save] setting to access to the network folder so that you can save your drawings.

Enter "share name\folder name" in the [Shared Folder Path] setting.

Item	IP address	FQDN
Protocol	CIFS	
Available ports	445/UDP, 445/TCP	
Name resolution	None (Unicast)	DNS server

Mail Server Settings

Select the [Interactive] > [Mail] setting to send your drawings using emails.

We recommend the following settings. Connection through the proxy server is not supported.

Service Name	Host Name	Authentication Method	Port Number
Gmail	smtp.gmail.com	TLS	587
Yahoo! mail	smtp.mail.yahoo.com	SSL	465
	smtp.mail.yahoo.co.jp		
Outlook.com	smtp-mail.outlook.com	TLS	587
Office365.com	smtp.office365.com	TLS	587

Directory Service

Select the [Interactive] > [Directory] setting to specify the email address using the directory service.

These types of directory servers are supported.

Item	Details
Server Type	Active Directory
OS	Windows Server 2012R2 Windows Server 2016
Port	Default: 389
Authentication Method	Anonymous (no authentication) Simple Digest-MD5
Encrypt	Encrypted in SASL when Digest-MD5 is set (SSL/TLS are not supported)
Maximum search number	200

Input and Output Specifications

Supported PC Free File Types

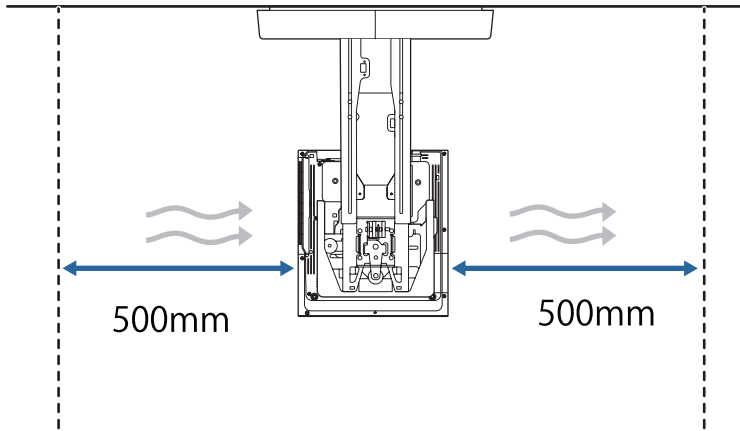
You can project these types of files using the projector's PC Free feature.

File type		Details
Image	JPEG	<ul style="list-style-type: none"> • RGB color • Baseline format • Resolution 8192×8192 or less • High compression rate file is not supported
	BMP	Resolutions no higher than 1280×800
	GIF	<ul style="list-style-type: none"> • Resolutions no higher than 1280×800 • Interlace format and animation file are not supported
	PNG	<ul style="list-style-type: none"> • Resolution 1920×1080 or less • Interlace format is not supported
Movie	AVI (Motion JPEG)	<ul style="list-style-type: none"> • AVI1.0 only • Resolution 1280×720 or less • Size 2 GB or less • Movie Codec: Motion JPEG • Frame Rate: up to 30 fps • Audio codec: LPCM or IMA ADPCM • Audio Sampling Rate: 11.025 kHz, 16 kHz, 22.05kHz, 24 kHz, 32 kHz, 44.1 kHz, or 48 kHz
	MP4/MOV (H.264, H.265)	<ul style="list-style-type: none"> • Resolution 1920×1200 or less • Size 2 GB or less • Movie Codec: H.264/MPEG-4 AVC, H.265/MPEG-H HEVC • Frame Rate: up to 30 fps • Profile: <ul style="list-style-type: none"> • H.264/MPEG-4 AVC: Baseline Profile, Main Profile, High Profile • H.265/MPEG-H HEVC: Main Profile • Color Format: YUV420 • Single slice structure • Audio Codec: MPEG-2 AAC-LC, MPEG-4 AAC-LC, or LPCM • Audio Channel: up to 2ch (channel 2) • Audio Bit: 8 bits or 16 bits • Audio Sampling Rate: <ul style="list-style-type: none"> • MPEG-2 AAC-LC: 44.1 kHz, 48 kHz • MPEG-4 AAC-LC: 44.1 kHz, 48 kHz • LPCM: 11.025 kHz, 16kHz, 22.05 kHz, 24 kHz, 32 kHz, 44.1 kHz, or 48 kHz

■ Installation Position and Environment

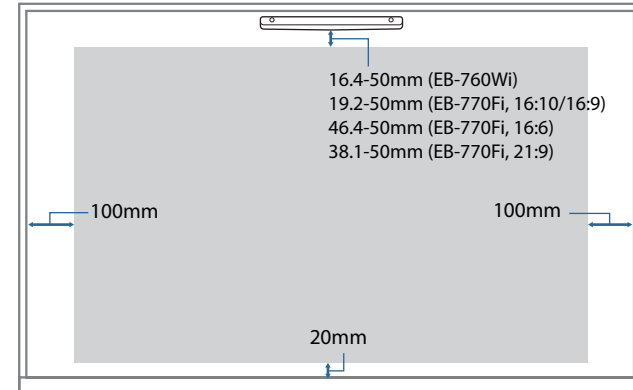
Installation Position

- When installing the projector, make sure there is a gap between the wall and the projector's air exhaust and intake vents as shown in the following image.

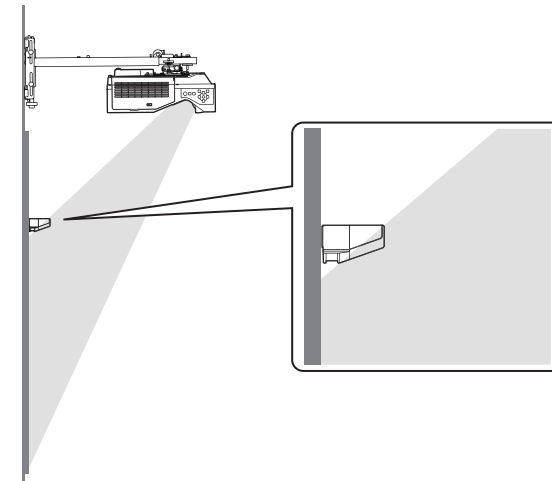


- Install the projector so that it is tilted at an angle of no more than +3 degrees or -3 degrees vertically and horizontally in relation to the screen.

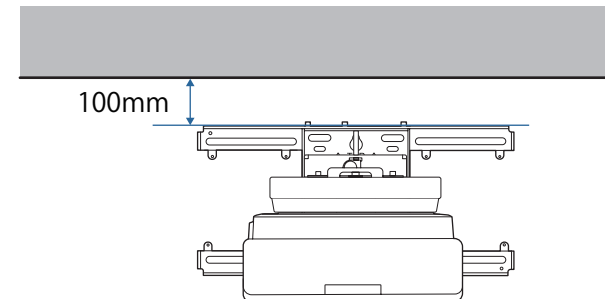
- When using the Touch Unit, install the projector so that there is a gap between the projected image and the edges of the screen as shown in the following image.



When you select the 16:6 or 21:9 and move the [Screen Position] downwards, the shade of the touch unit may appear on the projected image.



- Leaving a gap of approximately 100 mm from the ceiling to the top of the wall plate makes it easier to install and remove the projector.



Installation Environment

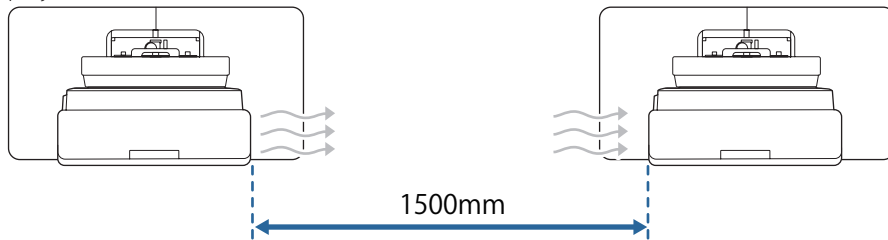
- When powerful light of over 800 lux shines on the projection surface or around the projection surface (10 cm to the left or right, 10 cm from the bottom, or 3 cm from the top), the interactive function may not operate correctly. Close curtains to shut out direct sunlight, and turn off fluorescent lights. Or install the projector in a location that is not subject to direct sunlight or fluorescent lights.

Projection Surface

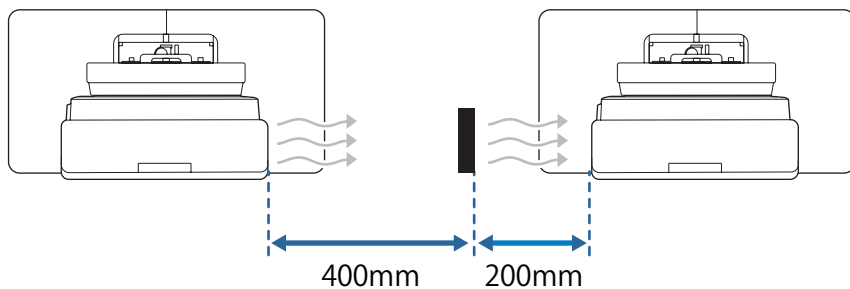
- For ultra-short focus projectors, if the projection surface is uneven, the image may appear warped. We recommend using screens that can easily be kept smooth such as a magnetic screen or a board screen.

When Installing Multiple Projectors

- When installing two or more projectors in parallel, see "Internal Specifications" p. 5 for details on the operating temperature. If the environment is too hot, the projector may overheat and the power may turn off without warning.
- When installing two or more projectors in parallel, leave a gap of at least 1,500 mm between the projectors.



- If you cannot secure a gap of approx. 1,500 mm, install a partition to block the heat vented from the projector's air exhaust vent. The partitions should be larger than the exhaust vent (approx. 20 mm in all directions), and installed approximately 400 mm from the exhaust vent and 200 mm from the intake vents.



Mounts Specifications

Setting Plate (ELPMB62)

X: Thickness from wall plate installation surface to projection surface

Item		Specifications		
Dimensions		W550xD906xH280 mm		
Supported screen size	EB-770Fi	16:9	74" to 146" (X = 0) (The maximum projection size when using the interactive features is 100")	
		4:3	60" to 119" (X = 0) (The maximum projection size when using the interactive features is 100")	
		16:10	68" to 135" (X = 0) (The maximum projection size when using the interactive features is 100")	
		16:6	69" to 135" (X = 0) (The maximum projection size when using the interactive features is 110")	
		21:9	70" to 138" (X = 0) (The maximum projection size when using the interactive features is 110")	
	EB-775F/EB-770F	16:9	74" to 146" (X = 0)	
		4:3	60" to 119" (X = 0)	
		16:10	68" to 135" (X = 0)	
		16:6	69" to 135" (X = 0)	
		21:9	70" to 138" (X = 0)	
	EB-760Wi	16:10	71" to 140" (X = 0) (The maximum projection size when using the interactive features is 100")	
		4:3	63" to 124" (X = 0) (The maximum projection size when using the interactive features is 100")	
		16:9	69" to 137" (X = 0) (The maximum projection size when using the interactive features is 100")	
	EB-760W	16:10	71" to 140" (X = 0)	
		4:3	63" to 124" (X = 0)	
		16:9	69" to 137" (X = 0)	
	Weight (setting plate, hexagonal axis, adjustment unit, wall plate, wall plate cover, end cap)		Approx. 9.2 kg	
	Maximum load capacity		Approx. 15.0 kg	
	Mini PC installation plate	Screw holes for installing PC (VESA compliant)	75mmx75mm 100mmx100mm	
		Supported PC sizes	Within 150x150x44mm	
Supported PC weight		0.7kg or less		

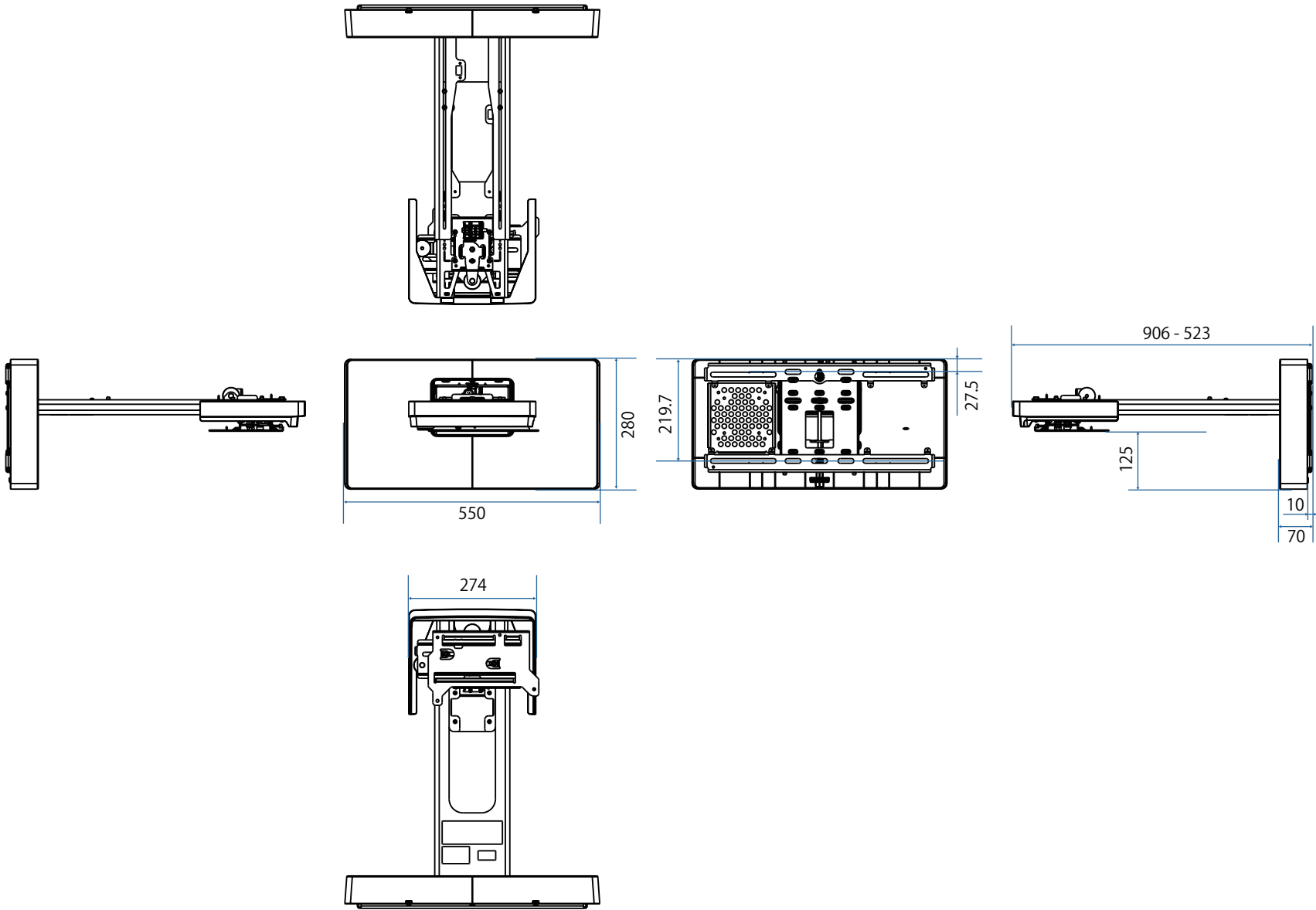
If the projection surface is in front of or behind the wall plate, use the following formulas to calculate the projection size.

EB-770F/Fi	16:9	Minimum projection size = Maximum projection size - 72.77 Maximum projection size = -1.586x + 146.04
	4:3	Minimum projection size = Maximum projection size - 59.46 Maximum projection size = -1.296x + 119.33
	16:10	Minimum projection size = Maximum projection size - 67.31 Maximum projection size = -1.467x + 135.09
	16:6	Minimum projection size = Maximum projection size - 67.74 Maximum projection size = -1.476x + 135.94
	21:9	Minimum projection size = Maximum projection size - 69 Maximum projection size = -1.504x + 138.48
EB-760W/Wi	16:10	Minimum projection size = Maximum projection size - 70.23 Maximum projection size = -1.53x + 140.85
	4:3	Minimum projection size = Maximum projection size - 62.03 Maximum projection size = -1.352x + 124.42
	16:9	Minimum projection size = Maximum projection size - 68.33 Maximum projection size = -1.489x + 137.04

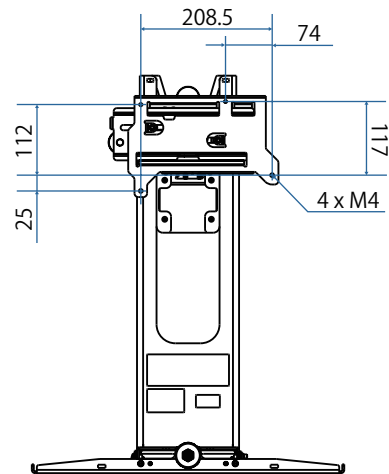
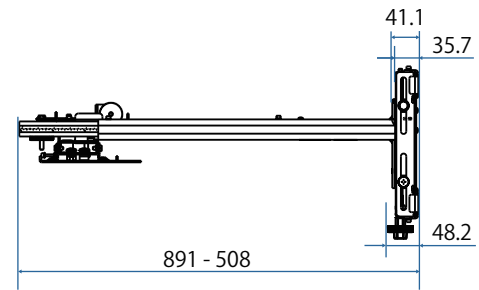
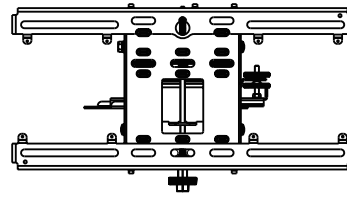
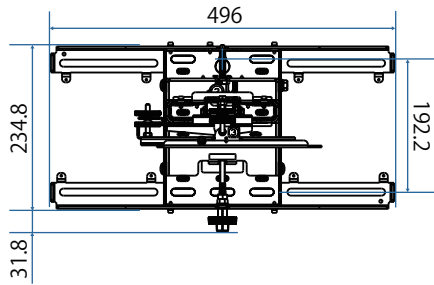
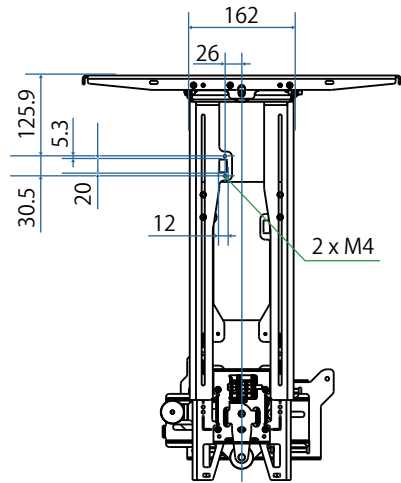
Available projection sizes range from the minimum projection size to the maximum projection size. For the minimum projection sizes and the maximum projection sizes, see the screen sizes on p. 5 in the [Internal Specifications] section.

External Dimensions

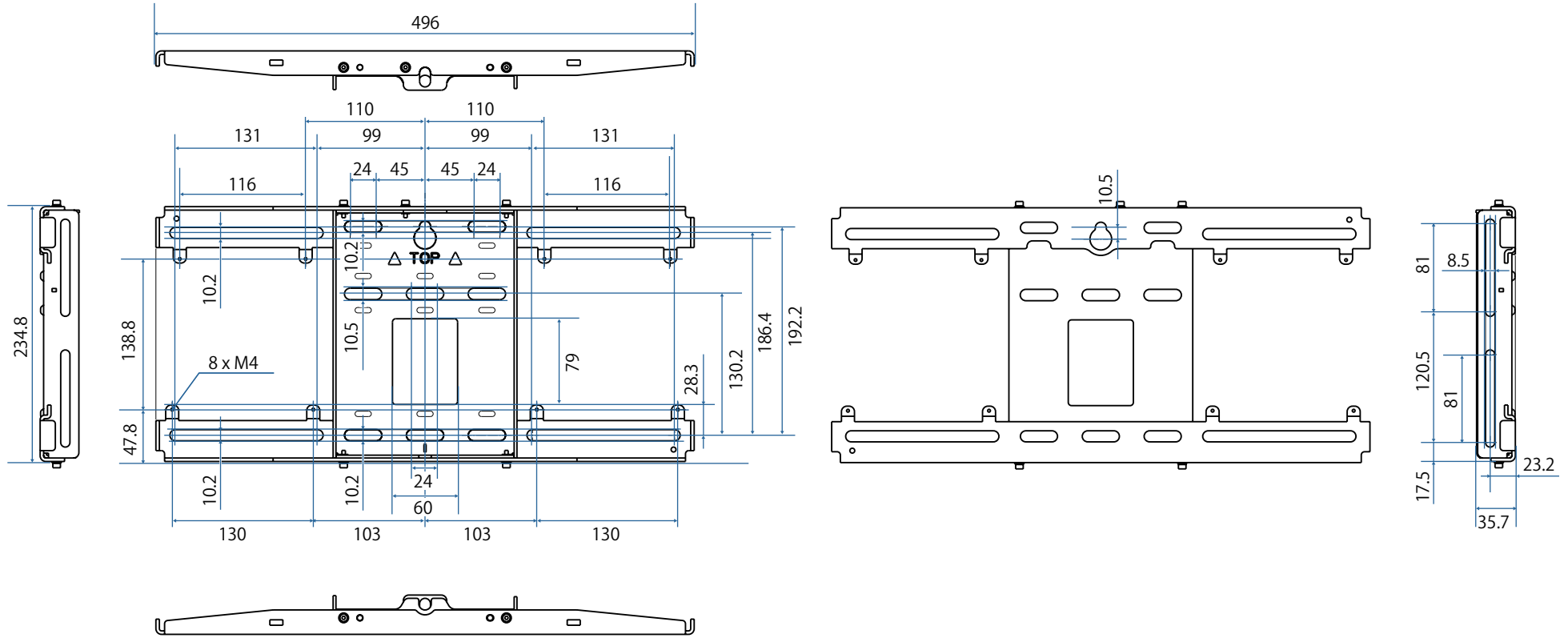
With cover



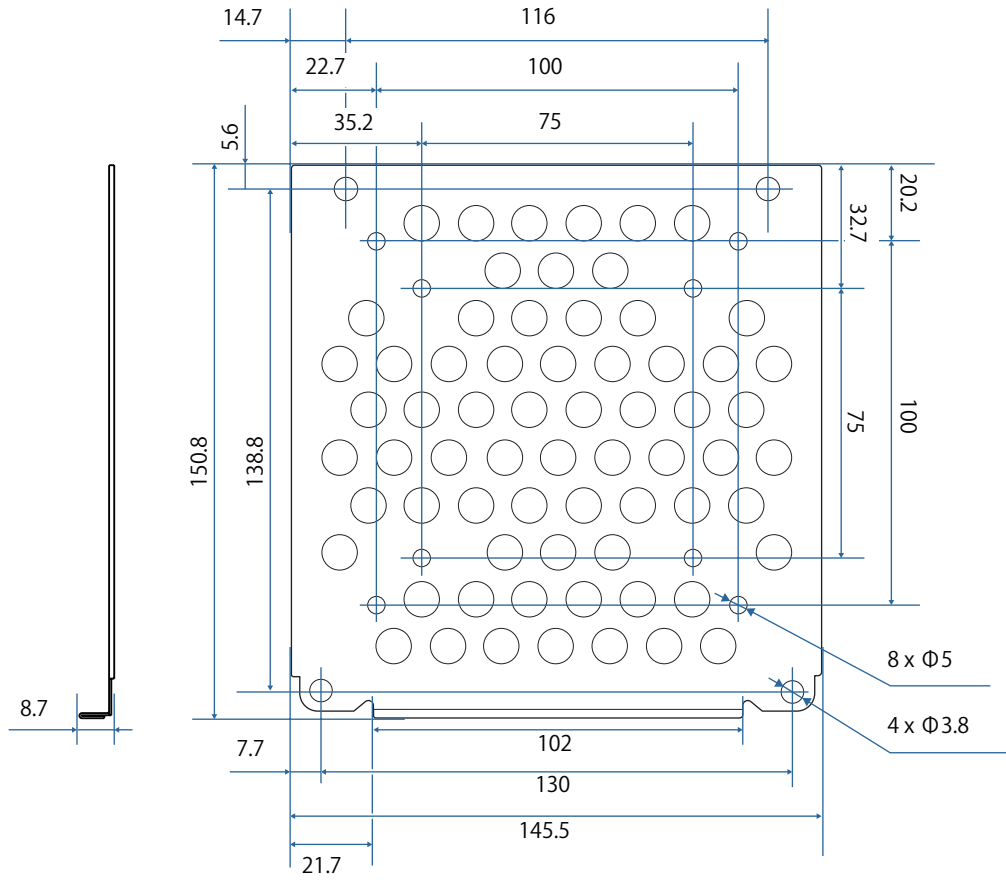
Without cover



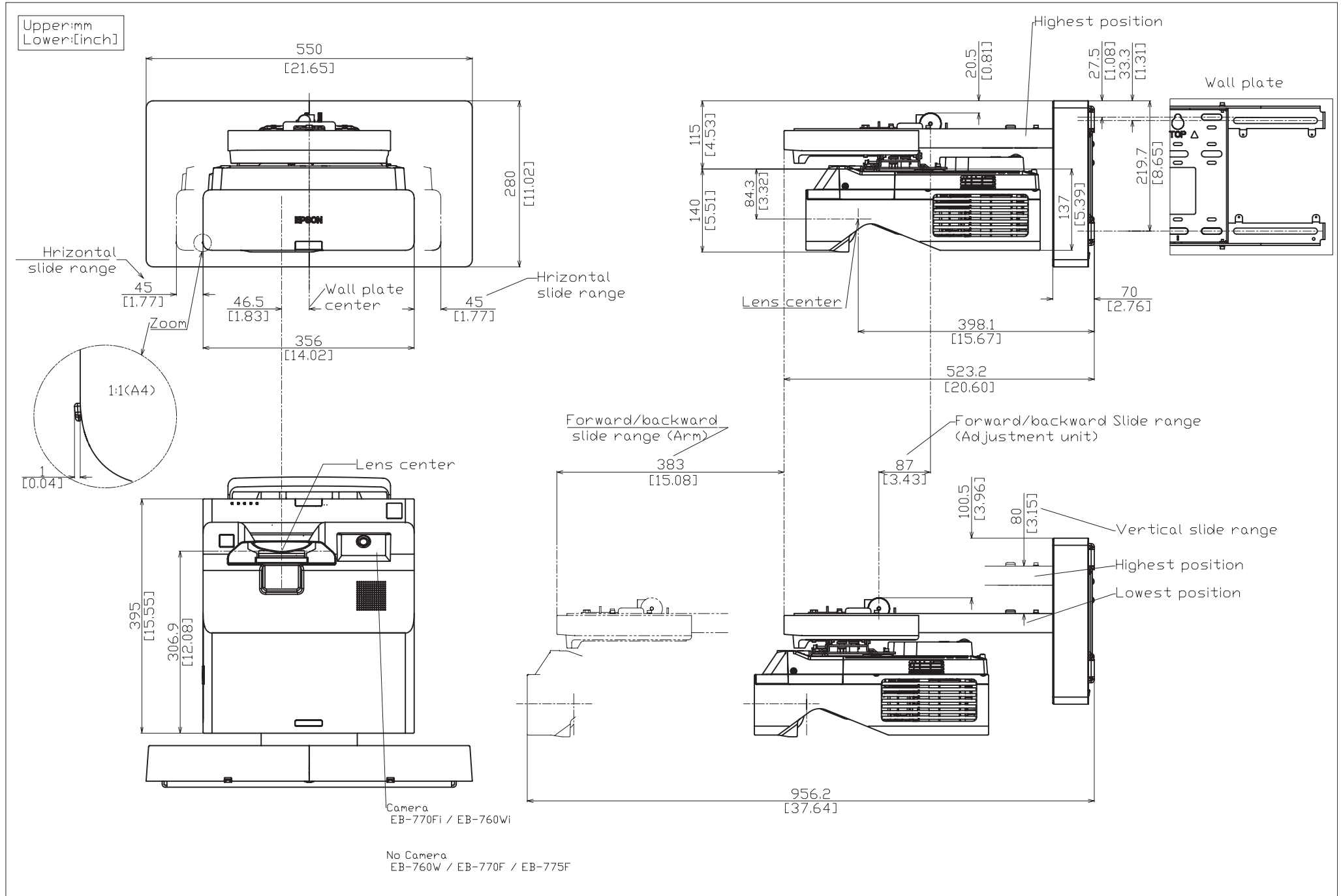
Wall plate



Mini PC installation plate

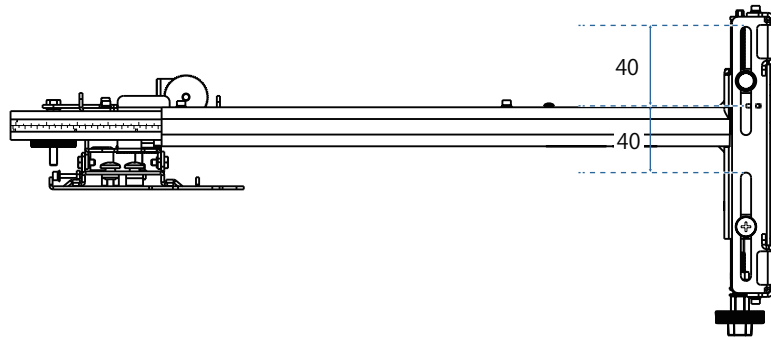


EB-770Fi + ELPMB62 Dimensions

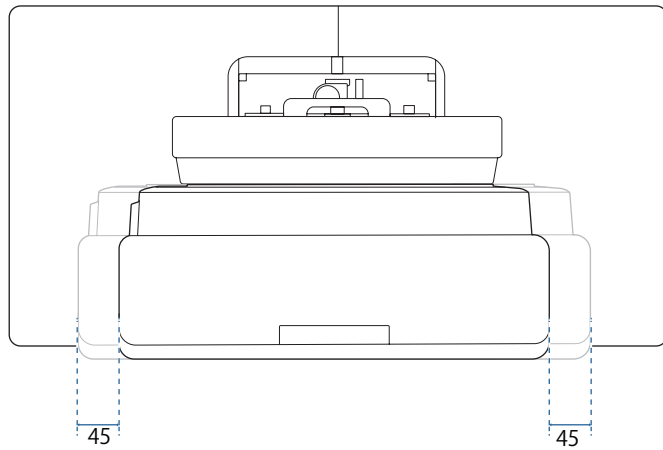


Adjustment Range

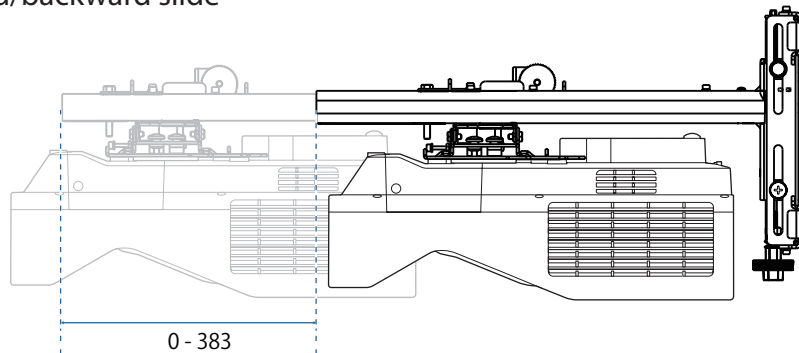
Vertical slide



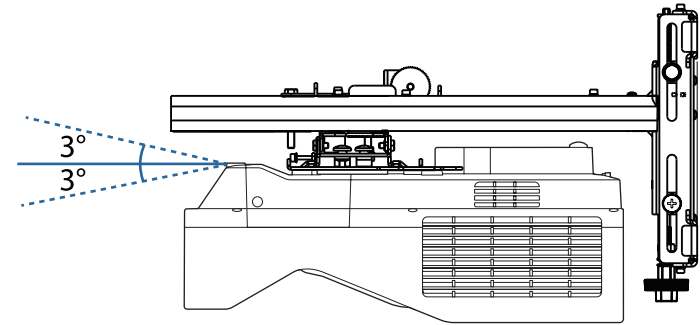
Horizontal slide



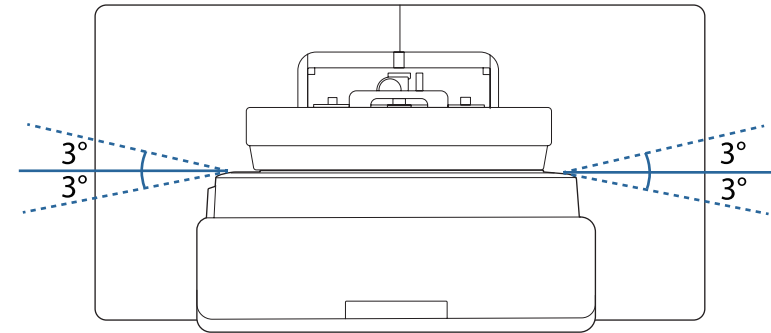
Forward/backward slide



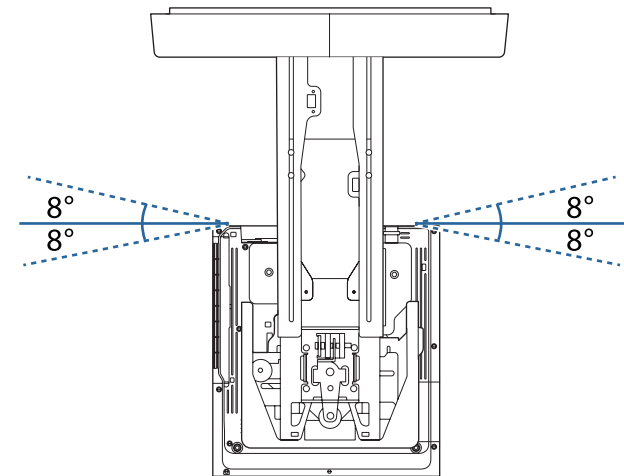
Vertical tilt



Horizontal roll



Horizontal rotation

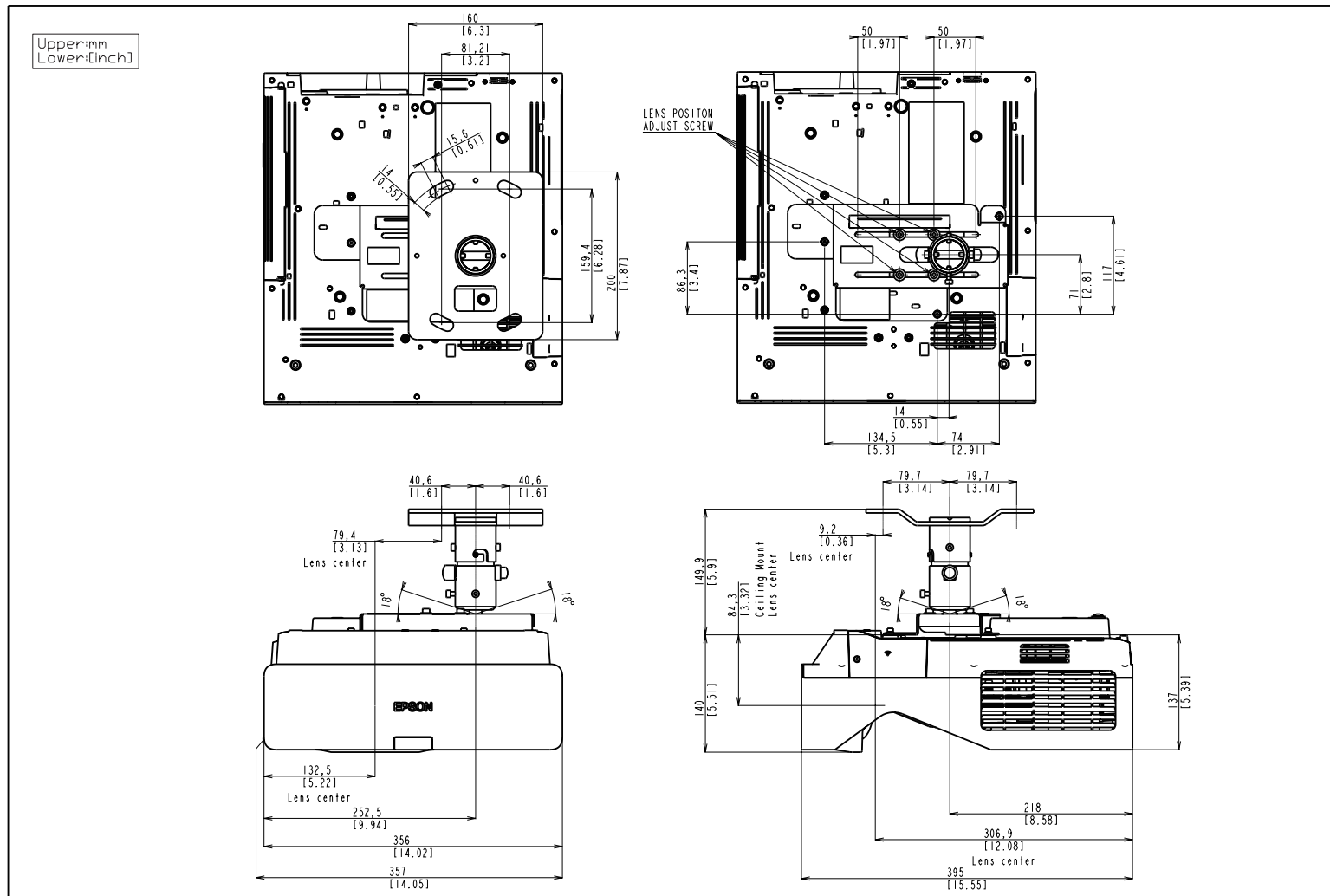


Ceiling Mount (ELPMB23)

Weight

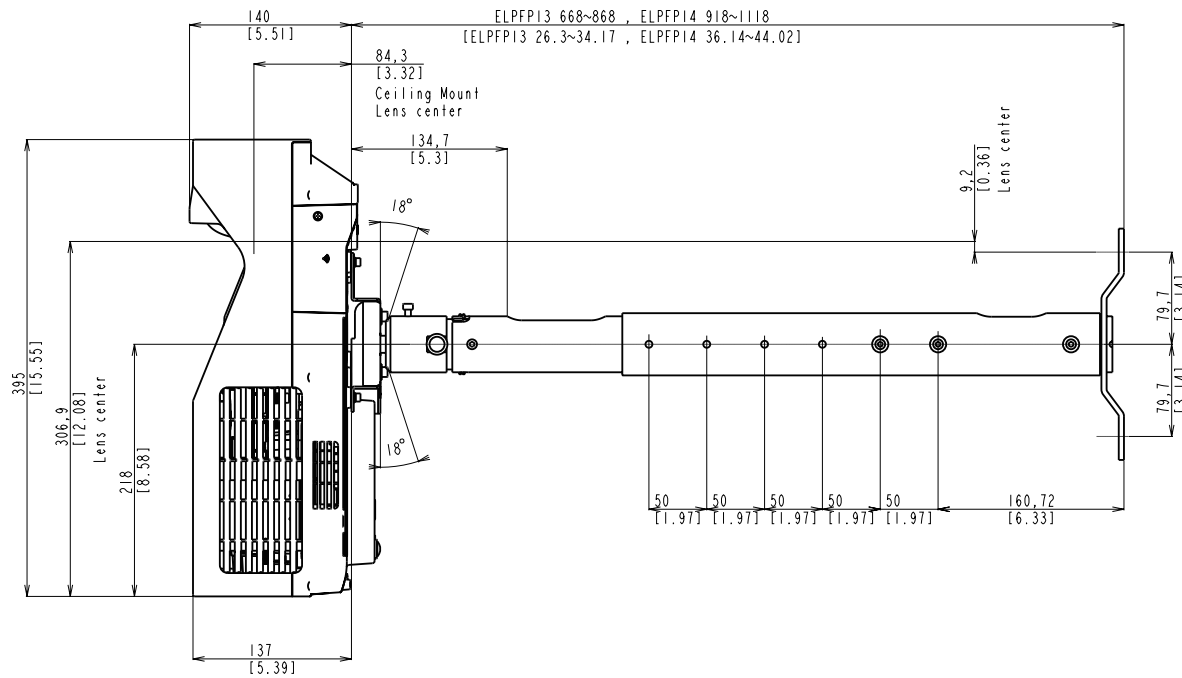
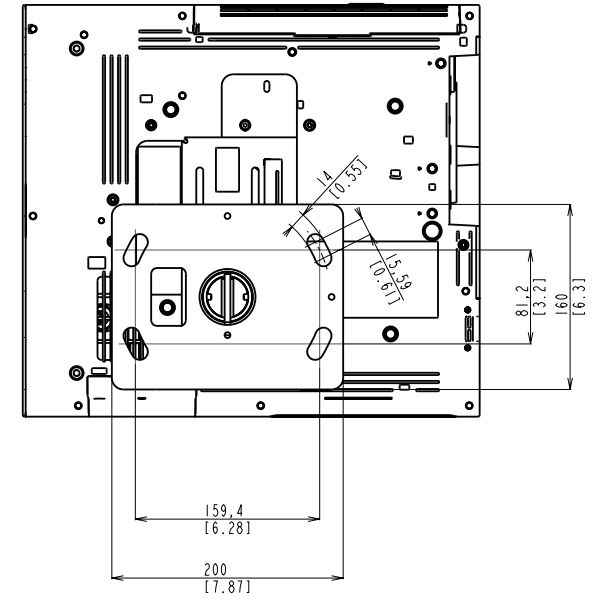
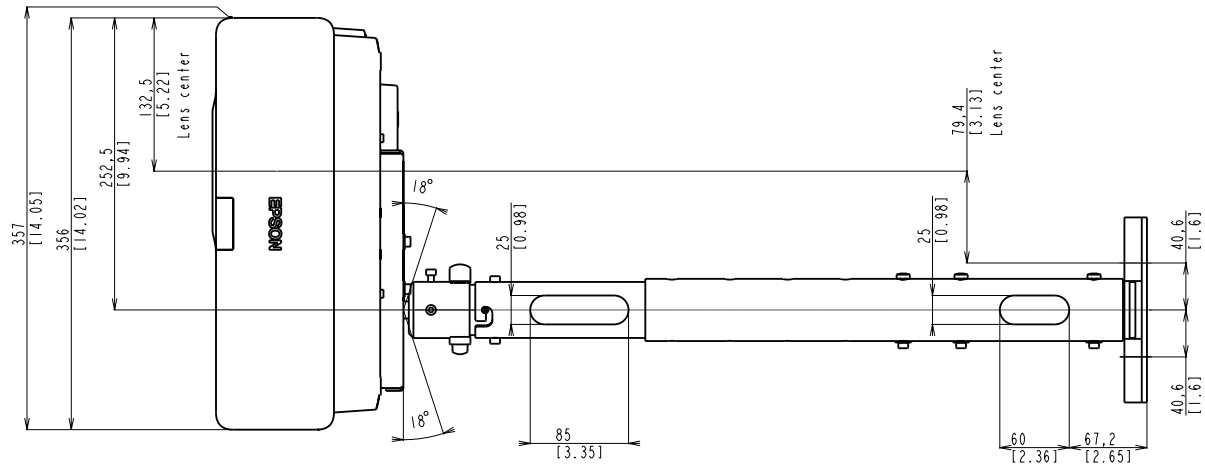
Projector		Ceiling Mount (ELPMB23)	Ceiling pipe (450 mm) (ELFP13)	Ceiling pipe (700 mm) (ELFP14)
EB-775F/EB-770F/EB-760W	EB-770Fi/EB-760Wi			
Approx. 5.9 kg	Approx. 6.0 kg	Approx. 3.4 kg	Approx. 2.1 kg	Approx. 2.6 kg

ELPMB23 Dimensions



ELPMB23+ELPFP13/ELPFP14 Dimensions

Upper:mm
Lower:[inch]

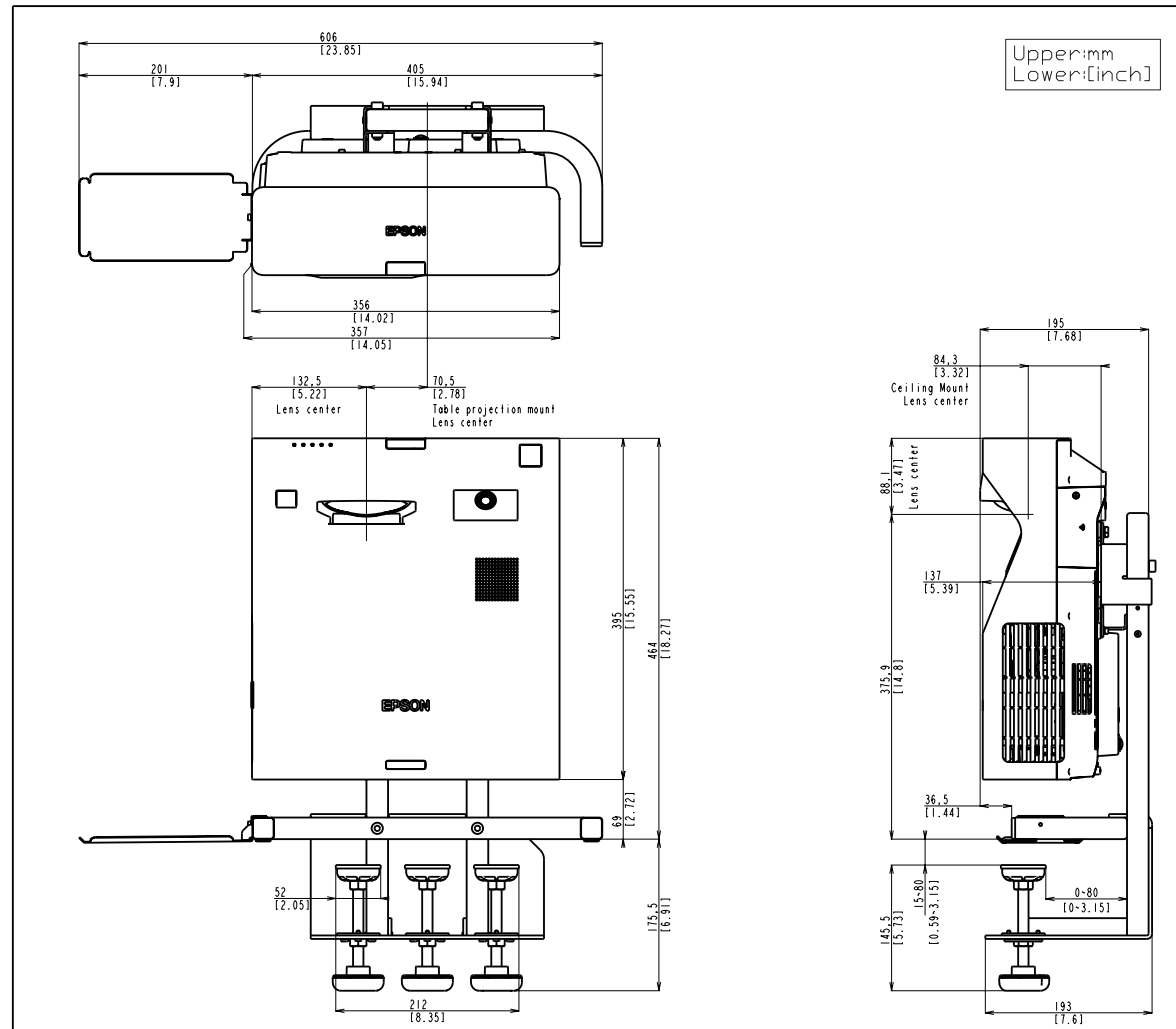


Interactive Table Mount (ELPMB29)

Weight

Projector		Interactive Table Mount (ELPMB29)
EB-775F/EB-770F/EB-760W	EB-770Fi/EB-760Wi	
Approx. 5.9 kg	Approx. 6.0 kg	Approx. 7.6 kg

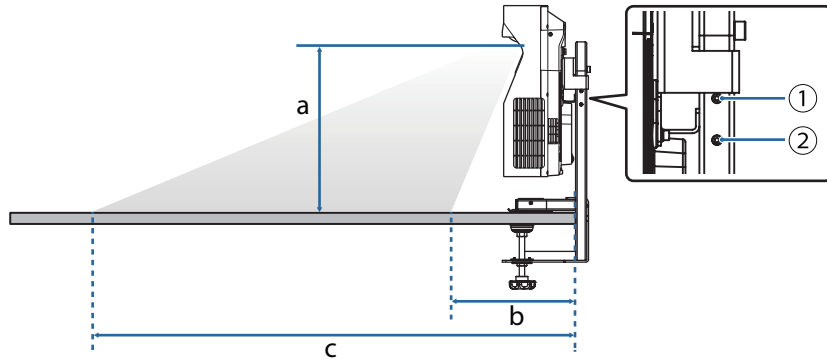
ELPMB29 Dimensions



Projection Distance (Table Projection)

There are two projector positions (1 and 2 in the following illustration) on ELPMB29. Use position 1. If you use position 2, you cannot keep an enough gap for connecting cables.

The relationship between the installation location and the size of the image is shown below.



EB-775F/EB-770Fi/EB-770F

16:9

Projection Distance (a) [mm]	Screen Size (S) [inch]		Distance from the edge of the table to the base of the screen (b) [mm]		Distance from the edge of the table to the top of the screen (c) [mm]	
	Wide	Tele	Wide	Tele	Wide	Tele
① 375.9	68	50	307.7	415.2	1154.5	1037.9

4:3

Projection Distance (a) [mm]	Screen Size (S) [inch]		Distance from the edge of the table to the base of the screen (b) [mm]		Distance from the edge of the table to the top of the screen (c) [mm]	
	Wide	Tele	Wide	Tele	Wide	Tele
① 375.9	56	41	309.3	416.3	1162.8	1041.2

16:10

Projection Distance (a) [mm]	Screen Size (S) [inch]		Distance from the edge of the table to the base of the screen (b) [mm]		Distance from the edge of the table to the top of the screen (c) [mm]	
	Wide	Tele	Wide	Tele	Wide	Tele
① 375.9	63	47	308.1	420.2	1156.2	1052.9

16:6

Projection Distance (a) [mm]	Screen Size (S) [inch]		Distance from the edge of the table to the base of the screen (b) [mm]		Distance from the edge of the table to the top of the screen (c) [mm]	
	Wide	Tele	Wide	Tele	Wide	Tele
① 375.9	63	47	447.3	523.1	1009.1	942.2

21:9

Projection Distance (a) [mm]	Screen Size (S) [inch]		Distance from the edge of the table to the base of the screen (b) [mm]		Distance from the edge of the table to the top of the screen (c) [mm]	
	Wide	Tele	Wide	Tele	Wide	Tele
① 375.9	64	48	406.3	494.1	1046.6	974.4

EB-760Wi/EB-760W

16:10

Projection Distance (a) [mm]	Screen Size (S) [inch]		Distance from the edge of the table to the base of the screen (b) [mm]		Distance from the edge of the table to the top of the screen (c) [mm]	
	Wide	Tele	Wide	Tele	Wide	Tele
① 375.9	66	49	290.5	406.3	1179	1066

4:3

Projection Distance (a) [mm]	Screen Size (S) [inch]		Distance from the edge of the table to the base of the screen (b) [mm]		Distance from the edge of the table to the top of the screen (c) [mm]	
	Wide	Tele	Wide	Tele	Wide	Tele
① 375.9	58	43	289.5	404.4	1173.4	1059.7

16:9

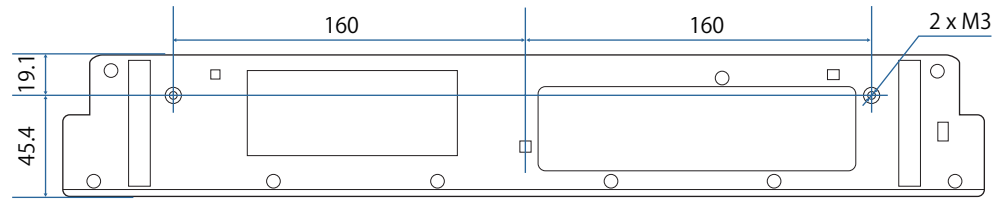
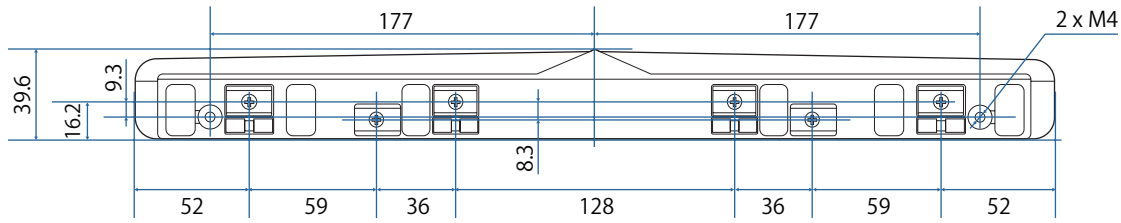
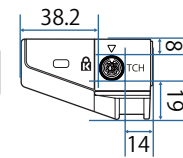
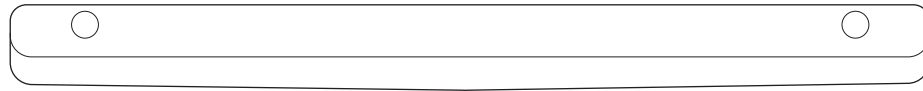
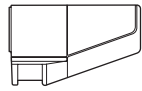
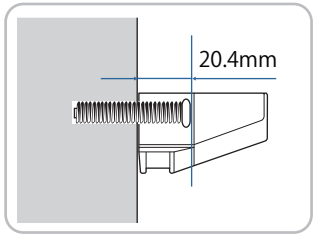
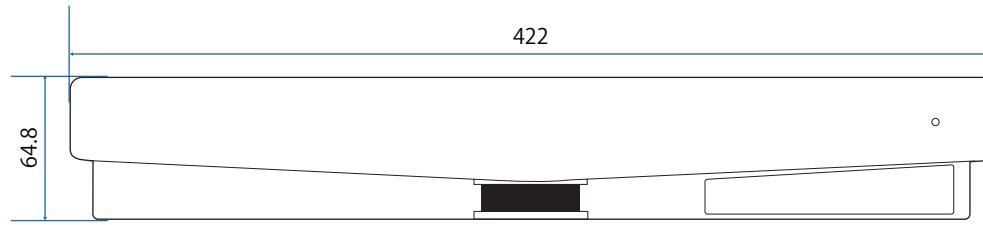
Projection Distance (a) [mm]	Screen Size (S) [inch]		Distance from the edge of the table to the base of the screen (b) [mm]		Distance from the edge of the table to the top of the screen (c) [mm]	
	Wide	Tele	Wide	Tele	Wide	Tele
① 375.9	64	47	334.1	434.6	1131.1	1019.9

■ Peripheral Equipment

Touch Unit (ELPFT01)

Item		Specifications
Dimensions (maximum)		W422×H40×D65 mm
Laser	Class	Class 1
	Light source output	Max. 285 W
	Wavelength	932 - 952 nm
Installation method		Magnet Screw (M4×2)
Laser angle adjustment method		Auto
Weight		Approx. 0.6 kg
Operating temperature		0 - 40°C (altitude 0 - 1500m)
Power (supplied from the projector)		5 VDC 0.65 A
Power port		mini DIN

Dimensions

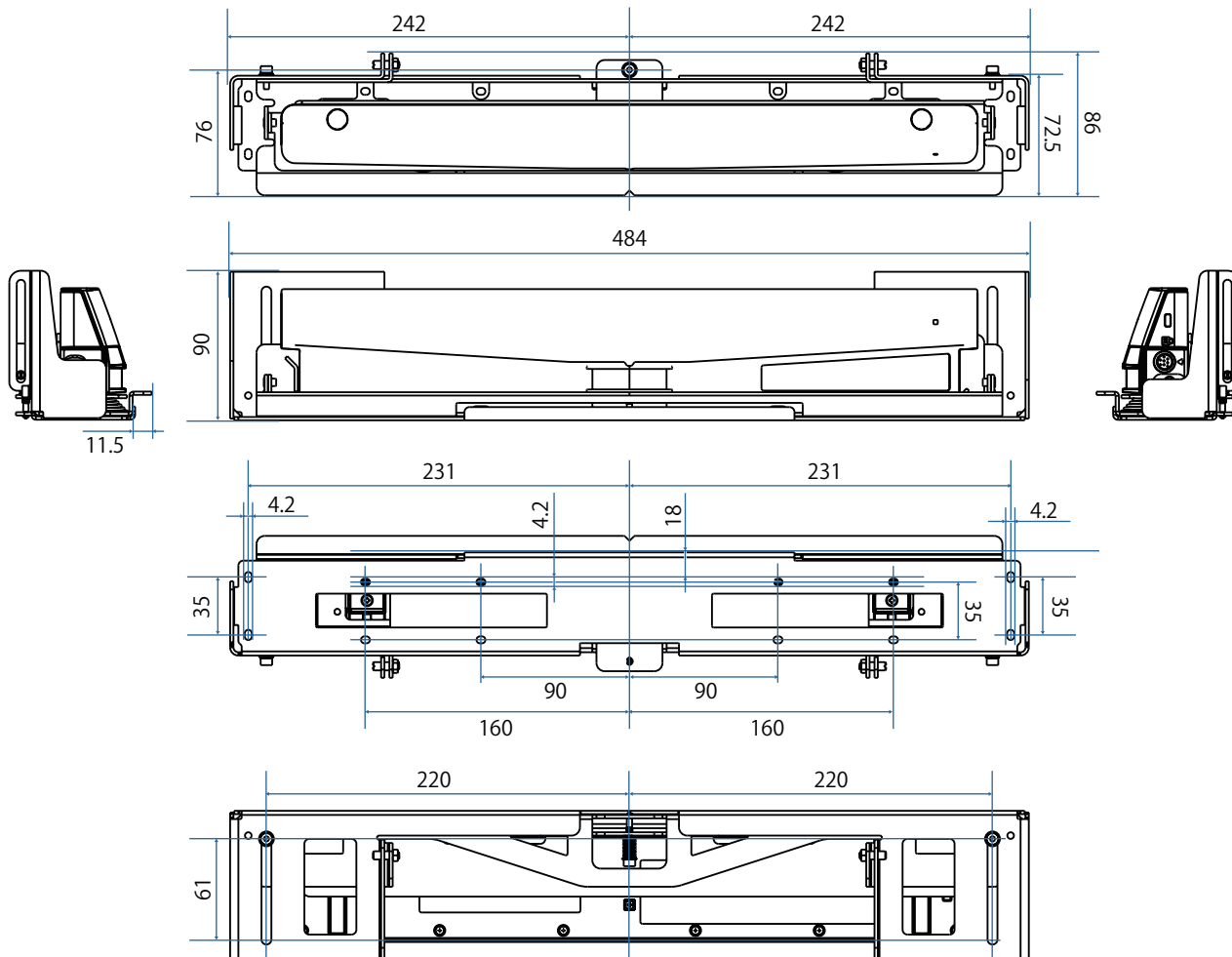


Touch Unit Bracket (ELPMB63)

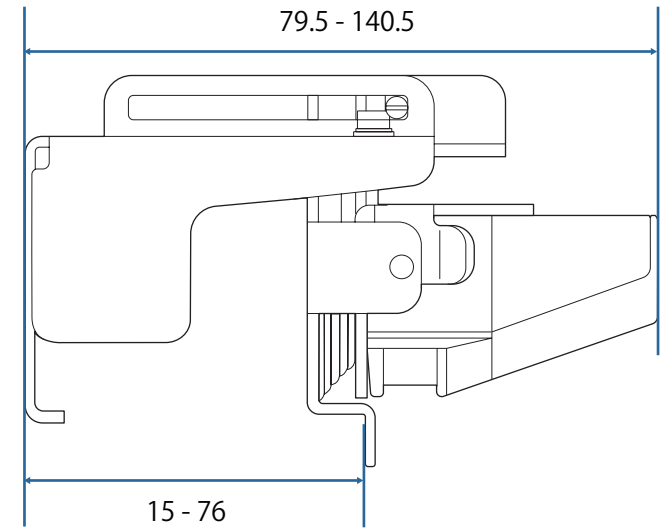
Item	Specifications
Dimensions	W484xD86xH90mm
Weight	Approx. 1.8 kg
Maximum load capacity	Approx. 8.8 kg

Dimensions

ELPFT01 + ELPMB63 Dimensions



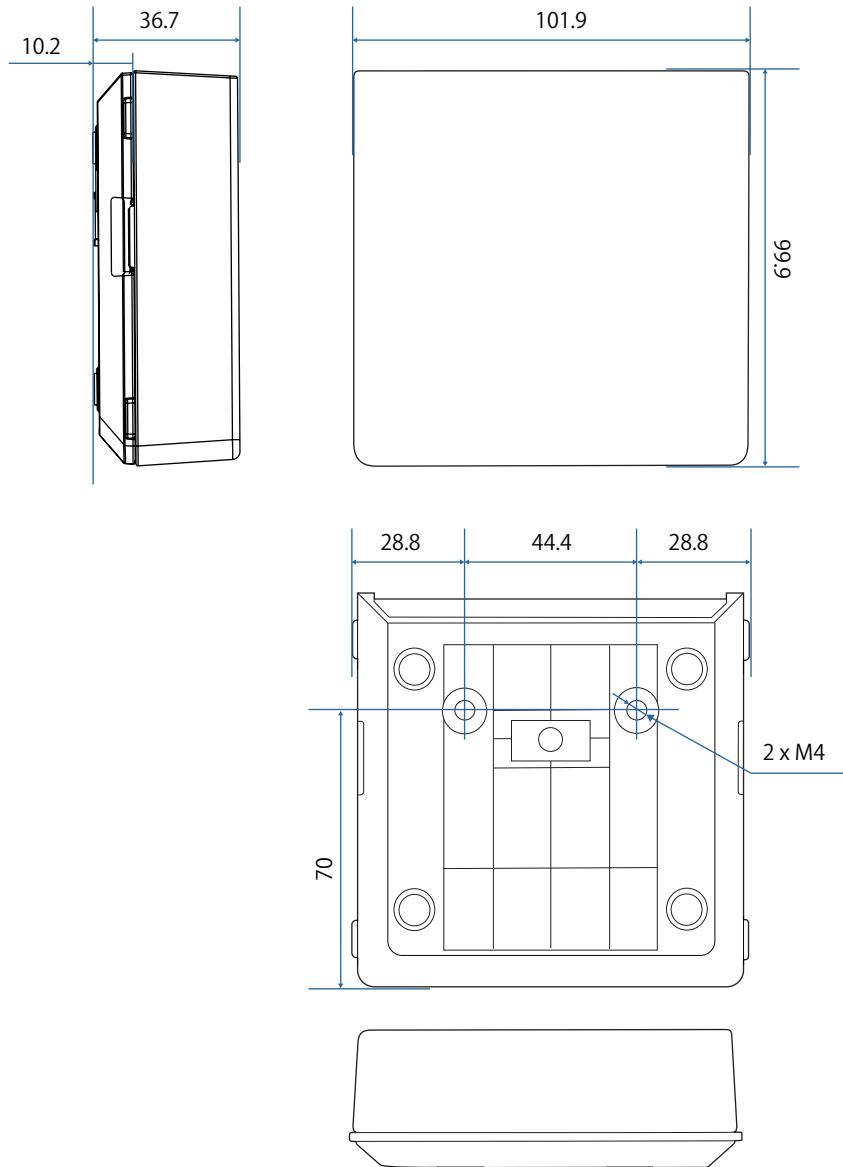
Adjustment Range



Pen Stand

Item	Specifications
Weight	Approx. 93 g

Dimensions



Monitoring and Control

You can check the status of networked projectors and perform various projector operations using these methods.

Method	Details
ESC/VP21 command	When the projector is connected to a computer with an RS-232C cable, you can control the projector with communication commands.
Epson Web Control	By using the Web browser of a computer connected to the projector on a network, you can set the projector's functions and control the projector.
PJLink command	The projector complies with the PJLink Class2 standard established by the JBMIA. From a computer connected to the projector on a network, you can control the projector with PJLink commands. For more details on PJLink, see the following Web site. http://pjlink.jbmia.or.jp/english/
Epson Projector Management	Allows you to control multiple Epson projectors on a network. You can download Epson Projector Management from the following Web site. epson.sn/
Crestron Connected	If you are using the Crestron Connected network monitoring and control system, you can set up your projector for use on the system. For additional information on Crestron Connected, visit the Crestron Web site. https://www.crestron.com/products/line/crestron-connected

Projector Control Commands

ESC/VP21 Command List

Item	Function	Command	Setting Value/Response Value
Power on/off ¹⁾	Power on	PWR ON	-
	Power off	PWR OFF	-
	Get status	PWR?	-
		Return code	00: Standby 01: Normal operation 02: Warming up 03: Cooling down 04: Monitoring/Communication standby 05: Error standby 09: A/V standby
Operation	Key operation	KEY xx	Control panel 01: Power 03: Menu 04: Home 05: Esc 16: Enter 35: Up 36: Down 37: Left 38: Right 48: Source Search

Item	Function	Command	Setting Value/Response Value
Operation	Key operation	KEY xx	Remote control 3B: Power A1: Power on 6C: Power off 3C: Menu 30: Home 3D: Esc 49: Enter 58: Up 59: Down 5A: Left 5B: Right 4A: Auto 43: Computer 67: Source Search 4D: HDMI 8A: LAN 85: USB 47: Freeze 28: E-Zoom + 29: E-Zoom - 3E: A/V Mute 3F: Color Mode 20: Aspect 56: Volume + 57: Volume - 84: User 88: Default 8F: ID A0: Split
Adjusting projected image	V-Keystone setting/Get value	VKEYSTONE xxx	-
		VKEYSTONE?	-
		Parameter/ Return code	0-255 INIT/INC/DEC (settings only)
	H-Keystone setting/Get value	HKEYSTONE xxx	-
		HKEYSTONE?	-
		Parameter/ Return code	0-255 INIT/INC/DEC (settings only)
	Quick Corner direction setting/Get value (based on projection area)	QCS x1 x2 x3 x4 x5 x6 x7 x8	-
		Parameter	x1-x8: 0-9999 Specify in the order of upper left (x,y), upper right (x,y), bottom right (x,y), bottom left (x,y)
		QCS?	-
		Return code	0-9999 Position (x,y) for four points separated by line breaks
	Quick Corner vector setting	QCV x1 x2 x3 x4 x5 x6 x7 x8	-
		Parameter	x1-x8: -99-99 Specify in the order of upper left (x,y), upper right (x,y), bottom right (x,y), bottom left (x,y)

Item	Function	Command	Setting Value/Response Value
Adjusting projected image	Quick Corner direction movement	QCMV control direction movement	-
		Parameter	control: Control location 01: Upper left control 02: Upper right control 03: Bottom right control 04: Bottom left control INIT (settings only) direction: Direction 01: Up direction 02: Down direction 03: Left direction 04: Right direction movement: Amount of movement INC only (settings only)
		Correction method setting/Get value	CORRECTMET x1 CORRECTMET? Return code
	Geometry correction memory load	POPGC x1	-
		Parameter	01: Memory1 02: Memory2 03: Memory3
	Geometry correction memory save	PUSHGC x1	-
		Parameter	01: Memory1 02: Memory2 03: Memory3
	Geometry correction memory erase	ERASEGC x1	-
		Parameter	00: ALL (Reset memory) 01: Memory1 02: Memory2 03: Memory3
	Geometry correction memory rename/Get value	NAMEGC x1 x2	-
		Parameter	x1 Memory No. 01: Memory1 02: Memory2 03: Memory3 x2 Custom name (ASCII code)
		NAMEGC? x1	-
Parameter		Same as NAMEGC x1 parameter	
	Return code	Same as NAMEGC x2 parameter	

Item	Function	Command	Setting Value/Response Value
Adjusting projected image	Aspect setting/ Get value	ASPECT xx	-
		ASPECT?	-
		Parameter/ Return code	30: Auto 40: Full 50: Zoom (EB-760Wi/EB-760W) 50: H-Zoom (EB-775F/EB-770Fi/EB-770F) 60: Native A0: V-Zoom (EB-775F/EB-770Fi/EB-770F) INIT (settings only) <Auto> only (get only) x1: Mode x2: Auto parameter (xed at 30)
	Screen Type setting/ Get value	SCFORMAT mode param	-
		SCFORMAT? mode	-
		Parameter/ Return code	mode: Setting mode 01: Screen Type setting 02: Screen Position setting INIT (settings only) param: set value (mode=01) 01: 4:3 02: 16:9 03: 16:10 04: 16:6 (EB-775F/EB-770Fi/EB-770F) 05: 21:9 (EB-775F/EB-770Fi/EB-770F) param: set value (mode=02) C19 - 000 - 3E7
	Brightness and light source setting/ Get value	LUMINANCE xx	-
		LUMINANCE?	-
		Parameter/ Return code	00: Normal 01: Quiet 04: Extended 05: Custom INIT (settings only)
	Brightness level setting/Get value	LUMLEVEL level	-
		LUMLEVEL?	-
		Parameter/ Return code	0-255 INIT/INC/DEC (settings only)
	Maintain brightness setting/Get value	LUMCONST x1 [x2]	- (EB-775F/EB-770Fi/EB-770F)
		LUMCONST?	- (EB-775F/EB-770Fi/EB-770F)
		Parameter/ Return code	x1: Maintain Brightness 00: Off 01: On INIT (settings only) x2: Brightness Level 0-255
Image shift setting/Get value	IMGSHIFT x y	-	
	IMGSHIFT?	-	
	Parameter/ Return code	x: Shift position for X direction -2 - 2 y: Shift position for Y direction -2 - 2	

Item	Function	Command	Setting Value/Response Value
Adjusting projected image	Zoom setting/ Get value	ZOOM xxx	-
		ZOOM?	-
		Parameter/ Return code	Digital tele/wide 0-255 INIT/INC/DEC (settings only)
	Over scan setting/Get value	OVSCAN xx	-
		OVSCAN?	-
		Parameter/ Return code	00: Off 02: 4% 04: 8% A0: Auto INIT (settings only)
Source change /Signal setting	Source change/get	SOURCE xx	-
		SOURCE?	-
		Parameter/ Return code	10: Computer1 20: Computer2 30: HDMI1 41: Video 51: USB Display 52: USB 53: LAN 55: Whiteboard (EB-770Fi/EB-760Wi) 56: Screen Mirroring1 59: Screen Mirroring2 A0: HDMI2 C0: HDMI3 F0: Cycle through all sources F1: Switch to Computer1, Computer2, USB Display, USB, LAN, Screen Mirroring1, Screen Mirroring2, Whiteboard (EB-770Fi/EB-760Wi) F2: Switch to HDMI1, HDMI2, HDMI3, Video
	Resolution setting/Get value	RESOL x1	-
		RESOL?	-
		Parameter/ Return code	00: Auto F0: Wide F1: Normal INIT (settings only)
Auto source search	AUTOSEARCH x1	-	
	AUTOSEARCH?	-	
	Parameter/ Return code	00: Off 01: On	
Adjusting image quality	Brightness setting/Get value	BRIGHT xxx	-
		BRIGHT?	-
		Parameter/ Return code	0-255 INIT/INC/DEC (settings only)
	Contrast setting/ Get value	CONTRAST xxx	-
		CONTRAST?	-
		Parameter/ Return code	0-255 INIT/INC/DEC (settings only)
Color saturation setting/Get value	DENSITY xxx	-	
	DENSITY?	-	
	Parameter/ Return code	0-255 INIT/INC/DEC (settings only)	

Item	Function	Command	Setting Value/Response Value
Adjusting image quality	Color tint setting/Get value	TINT xxx	-
		TINT?	-
		Parameter/ Return code	0-255 INIT/INC/DEC (settings only)
	Sharpness setting/Get value	SHARP x1	-
		Parameter	x1: Adjustment value 0-255 INC/DEC/INIT
		SHARP?	-
		Return code	0-255
	Color temperature setting/Get value	CTEMP xxx	-
		CTEMP?	-
		Parameter/ Return code	Color Temp. 0-255 INIT/INC/DEC (settings only)
	GM correction setting/Get value	FCOLOR xxx	-
		FCOLOR?	-
		Parameter/ Return code	0-255 INIT/INC/DEC (settings only)
	Color mode setting/Get value	CMODE xx	-
		CMODE?	-
		Parameter/ Return code	01: sRGB 04: Presentation 06: Dynamic 0F: DICOM SIM (EB-775F/EB-770Fi/EB-770F) 11: Blackboard 15: Cinema 1A: Multi-Projection (EB-775F/EB-770Fi/EB-770F) INIT (settings only)
	Horizontal display position setting/Get value	HPOS xxx	-
		HPOS?	-
		Parameter/ Return code	0-255 INIT/INC/DEC (settings only)
	Vertical display position setting/Get value	VPOS xxx	-
		VPOS?	-
		Parameter/ Return code	0-255 INIT/INC/DEC (settings only)
	Tracking setting/Get value	TRACKING xxx	-
		TRACKING?	-
		Parameter/ Return code	0-255 INIT/INC/DEC (settings only)
	Sync. setting/Get value	SYNC xxx	-
SYNC?		-	
Parameter/ Return code		0-255 INIT/INC/DEC (settings only)	

Item	Function	Command	Setting Value/Response Value
Adjusting image quality	Noise reduction setting/Get value	NRS xx	-
		Parameter	0-255 INIT/INC/DEC
		NRS?	-
		Return code	0-255
	MPEG noise reduction	MPEGNRS x1	-
		MPEGNRS?	-
		Parameter/ Return code	00: Off 01: Low 02: Normal 03: High
	Red offset setting/Get value Green offset setting/Get value Blue offset setting/Get value	OFFSETR xxx	-
		OFFSETR?	-
		Parameter/ Return code	0-255 INIT/INC/DEC (settings only)
		OFFSETG xxx	-
		OFFSETG?	-
		Parameter/ Return code	0-255 INIT/INC/DEC (settings only)
		OFFSETB xxx	-
		OFFSETB?	-
	Parameter/ Return code	0-255 INIT/INC/DEC (settings only)	
	Red gain setting/Get Value Green gain setting/Get value Blue gain setting/Get value	GAINR xxx	-
		GAINR?	-
		Parameter/ Return code	0-255 INIT/INC/DEC (settings only)
		GAING xxx	-
		GAING?	-
		Parameter/ Return code	0-255 INIT/INC/DEC (settings only)
		GAINB xxx	-
		GAINB?	-
	Parameter/ Return code	0-255 INIT/INC/DEC (settings only)	
	Gamma setting/Get value	GAMMA xx	-
		GAMMA?	-
Parameter/ Return code		20: Set 2 21: Set 1 22: Set 0 23: Set -1 24: Set -2 F0: Custom INIT (settings only)	

Item	Function	Command	Setting Value/Response Value
Adjusting image quality	Gamma level setting/ Get value	GAMMALV x1 x2	-
		Parameter	x1: Tone 00-08: Tone 1 - Tone 9 x2: Adjustment value 0-255 INC/DEC
		GAMMALV? xx	-
		Parameter	Same as GAMMALV command x1 parameter
		Return code	0-255
	RGBCMY setting/ Get value	AXESADJ x1 x2 x3 x4	-
		Parameter	x1: Color 01: R 02: G 03: B 04: C 05: M 06: Y 90: ALL x2: Hue 0-255 x3: Saturation 0-255 x4: Brightness 0-255 INIT
		AXESADJ?	-
		Return code	0-255 Hue, Saturation, Brightness values for each color in the order of R, G, B, C, M, Y
	Multi screen color matching setting/Get value	MULSCR x1 x2 x3	- (EB-775F/EB-770Fi/EB-770F)
		Parameter	x1: Adjustment type 01: Display pattern 05: Color correction R 06: Color correction G 07: Color correction B 08: Color correction (RGB) INIT
			x2: Level 00: Off (x1=01 only) 01 - 08: Level 1 - Level 8 FF: All
			x3: Adjustment value (Except for x1=01) 0-255 INIT/INC/DEC [x3]: type (Except for x1=01 & x2=00) 00: Tone pattern 01: Blend pattern
MULSCR? xx		- (EB-775F/EB-770Fi/EB-770F)	
Parameter		x1: Adjustment type 01: Display pattern 05: Color correction R 06: Color correction G 07: Color correction B	
		Return code	Adjustment value of each level or level value for selected adjustment type. Level: 00-08, FF Adjustment value: 000-255

Item	Function	Command	Setting Value/Response Value
Adjusting image quality	Load memory	POPMEM x1 x2	-
		Parameter	x1 Memory type 02: Advanced x2 Memory No. 01: Memory1 (No.1) : 0A: Memory10 (No.10)
	Save memory	PUSHMEM x1 x2	-
		Parameter	x1 Memory type 02: Advanced x2 Memory No. 01: Memory1 (No.1) : 0A: Memory10 (No.10)
	Erase memory	ERASEMEM x1 x2	-
		Parameter	x1 Memory type 00: ALL 02: Advanced x2 Memory No. 01: Memory1 (No.1) : 0A: Memory10 (No.10)
	Get color adjustment method setting	CSEL?	-
		Return code	07: RGB/RGBCMY
	Image Preset Mode setting/Get value	IMGPRESET x1	-
		Parameter/ Return code	00: Off 01: Preset 1 02: Preset 2 03: Preset 3 04: Preset 4 05: Preset 5 INIT (settings only)
	Super-resolution: fine line adjust setting/Get value	SHRF x1	-
		Parameter/ Return code	SHRF? 0-255 INC/DEC/INIT
	Super-resolution: soft focus detail setting/Get value	SHRS x1	-
		Parameter/ Return code	SHRS? 0-255 INC/DEC/INIT
	Detail enhancement: range setting/Get value	DERANGE x1	-
		Parameter	0-255 INC/DEC/INIT
		DERANGE?	-
		Return code	0-255
Detail enhancement: strength setting/Get value	DESTRENGTH x1	-	
	Parameter	0-255 INC/DEC/INIT	
	Return code	DESTRENGTH? 0-255	

Item	Function	Command	Setting Value/Response Value
Adjusting image quality	Scene Adaptive Gamma Settings/ Acquire settings	SCENEGAMMA x1	-
		SCENEGAMMA?	-
		Parameter/ Return code	0-255 INIT/INC/DEC(settings only)
Audio	Volume setting/ Get value	VOL xxx	-
		VOL?	-
		Parameter/ Return code	0-255 INIT/INC/DEC (settings only)
	Audio output signal setting/Get value	AUDIO mode [source]	-
		Parameter/ Return code	Audio Output setting (when [source] is not specied) mode: Switching setting 00: Auto 01: Audio1 02: Audio2 03: Audio3 INIT (settings only)
			HDMI Audio Output setting mode: Switching setting 00: Default (HDMI) 01: Audio1 02: Audio2 03: Audio3 INIT (settings only) source: Target source 30: HDMI1 A0: HDMI2 C0: HDMI3
		AUDIO? [source]	-
		Parameter	Same as source parameter in AUDIO command
		Return code	Same as mode parameter in AUDIO command
	Mic input level setting/ Get value	MICLEVEL xxx	-
		MICLEVEL?	-
		Parameter/ Return code	0-255 INIT/INC/DEC (settings only)
A/V output setting/Get value	AVOUT x1	-	
	AVOUT?	-	
	Parameter/ Return code	00: While Projecting (NW Standby) 01: Always On (AV Standby) INIT (settings only)	
Additional features	A/V mute ON, OFF/ Get status	MUTE x1	-
		MUTE?	-
		Parameter/ Return code	ON : A/V mute ON OFF: A/V mute OFF INIT (settings only)
	Freeze ON, OFF/ Get status	FREEZE xxx	-
		FREEZE?	-
		Parameter/ Return code	ON : Freeze ON OFF: Freeze OFF INIT (settings only)

Item	Function	Command	Setting Value/Response Value
Additional features	LCD alignment/ Get status	LCDALIGNMENT 00 x y updown leftright LCDALIGNMENT 04 updown leftright LCDALIGNMENT mode param	-(EB-775F/EB-770Fi/EB-770F)
		Parameter/ Return code	mode 00: Adjustment (Coordinate specification) 01: LCD alignment setting 02: Adjustment color setting 03: Pattern colorsetting 04: Adjustment (Whole) INIT x 0000~270F: Get X coordinate y 0000~270F: Get Y coordinate updown 9D~00~63: Adjustment vertical direction leftright 9D~00~63: Adjustment horizontal direction param • LCD alignment setting 00: LCD alignment correction OFF 01: LCD alignment correction ON • adjustment color setting (02:specified) 01: Red 02: Blue • pattern colorsetting (03:specified) 01: R/G/B 02: R/G 03: G/B
		LCDALIGNMENT? mode x y LCDALIGNMENT? mode	-(EB-775F/EB-770Fi/EB-770F)
		Parameter	mode 00: Adjustment (Coordinate specification) 01: LCD alignment setting 02: Adjustment color setting 03: Pattern colorsetting x 0000~270F: Get X coordinate y 0000~270F: Get Y coordinate

Item	Function	Command	Setting Value/Response Value
Additional features	LCD alignment/ Get status	Return code	Get adjustment value (00: specified) return vertical and horizontal value. <ul style="list-style-type: none"> LCD alignment setting (01: specified) 00: LCD alignment correction OFF 01: LCD alignment correction ON adjustment color setting (02:specified) 01: Red 02: Blue pattern colorsetting (03:specified) 01: R/G/B 02: R/G 03: G/B
Conguration	Horizontal reverse setting/Get value	HREVERSE xxx	-
		HREVERSE?	-
		Parameter/ Return code	ON : Horizontal reverse OFF: Normal INIT (settings only)
	Upside down setting/Get value	VREVERSE xxx	-
		VREVERSE?	-
		Parameter/ Return code	ON : Upside down OFF: Normal INIT (settings only)
	Vertical installation setting/Get value	VPLACEMENT x1	-
		VPLACEMENT?	-
		Parameter/ Return code	00: Not vertical 01: Vertical
	Reset all	INITALL2 x1	-
		Parameter/ Return code	x1: Target for reset
	Communication speed setting/Get value*2	SPEED xx	-
		Parameter	00: 9600bps 01: 19200bps 02: 38400bps 03: 57600bps INIT
		SPEED?	-
		Return code	00: 9600bps 01: 19200bps 02: 38400bps 03: 57600bps
Projector ID setting/Get value	PROJID xx	-	
	PROJID?	-	
	Parameter/ Return code	00: Off 01-09: ID1-ID9 INIT (settings only)	
Illumination/Indicator setting	ILLUM xx	- (EB-775F/EB-770F)	
	ILLUM?	- (EB-775F/EB-770F)	
	Parameter/ Return code	00: Off 01: On INIT (settings only)	

Item	Function	Command	Setting Value/Response Value
Conguration	Invert arrows button setting/Get value	KREVERSE xx	-
		KREVERSE?	-
		Parameter/ Return code	10: Off (Reset button direction) 11: On (Invert button direction) INIT (settings only)
	Menu rotation setting	OSDROTATE x1	-
		OSDROTATE?	-
		Parameter/ Return code	00: Off 01: Right 90 degree 02: Left 90 degree
	CB setting/Get value	CB x1	- (EB-770Fi/EB-770F/EB-760Wi/EB-760W)
		CB?	- (EB-770Fi/EB-770F/EB-760Wi/EB-760W)
		Parameter/ Return code	00: Off 01: On INIT (settings only)
	Startup source/Get value	STSOURCE mode	- (EB-775F/EB-770F)
		STSOURCE?	- (EB-775F/EB-770F)
		Parameter/ Return code	00: Last source 10: Computer1 30: HDMI1 41: Video 51: USB Display 52: USB 53: LAN A0: HDMI2 C0: HDMI3
	Quick startup mode setting/Get	FASTBOOT x1	-
		FASTBOOT?	-
		Parameter/ Return code	00: Off 01: 20 min. 02: 60 min. 03: 90 min.
Refresh mode setting/Get value	REFRESHTIME x1	-	
	REFRESHTIME?	-	
	Parameter/ Return code	01: 1 Hour 0D: 13 Hours 02: 2 Hours 0E: 14 Hours 03: 3 Hours 0F: 15 Hours 04: 4 Hours 10: 16 Hours 05: 5 Hours 11: 17 Hours 06: 6 Hours 12: 18 Hours 07: 7 Hours 13: 19 Hours 08: 8 Hours 14: 20 Hours 09: 9 Hours 15: 21 Hours 0A: 10 Hours 16: 22 Hours 0B: 11 Hours 17: 23 Hours 0C: 12 Hours 18: 24 Hours	
Refresh mode start	REFRESH [x1]	-	
	Parameter	x1: ON: Start OFF: Finnish	
Refresh mode running message display setting/Get	REFRESHMSG x1	-	
	REFRESHMSG?	-	
	Parameter/ Return code	00: Messages off 01: Messages on	

Item	Function	Command	Setting Value/Response Value
Configuration	Batch setup range setting/Get	BARANGE x1	-
		BARANGE?	-
		Parameter/ Return code	00: All 01: Limited
	Light source calibration start (run now)	LTCALB	- (EB-775F/EB-770Fi/EB-770F)
		Parameter/ Return code	-
	Auto light source calibration setting/Get (run periodically)	AUTOLTALB x1	- (EB-775F/EB-770Fi/EB-770F)
		AUTOLTALB?	- (EB-775F/EB-770Fi/EB-770F)
		Parameter/ Return code	00: Off 01: On (Run periodically)
	Get last date and time of the light source calibration	LASTLTCALB?	- (EB-775F/EB-770Fi/EB-770F)
		Return code	yyyyMMddHHmm (Year/Month/Day/Time) 2000 - 2099: yyyy 01 - 12: MM 01 - 31: dd 00 - 23: HH 00 - 59: mm
	USB Power in Standby Settings/Acquire settings USB Power Settings/Acquire settings	USBSUPPLY x1	-
		USBSUPPLY?	-
		Parameter/ Return code	00: On when projecting 01: Always On
	Menu color setting/Get value	MENUCOLOR x1	-
		MENUCOLOR?	-
		Parameter/ Return code	00: Black 01: White INIT (settings only)
	Transmitter Connection Guide Display setting/Get value	TRNSGUIDE x1	-
		TRNSGUIDE?	-
		Parameter/ Return code	00: Off (No display) 01: On (display) INIT (settings only)
	Transmitter Auto Power On setting/Get value	TRNSPWON x1	-
TRNSPWON?		-	
Parameter/ Return code		00: Off 01: On INIT (settings only)	
Home Screen	Home screen auto display	AUTOHOME x1	-
		AUTOHOME?	-
		Parameter/ Return code	00: Off (No display) 01: On (Display auto)
	Sort sources	HSORT x1	-
		HSORT?	-
		Parameter/ Return code	00: Off 01: On INIT (settings only)

Item	Function	Command	Setting Value/Response Value
Network	Get AMX DDDP BeaconMessage *2	AMX	-
		Return code	* Follow AMX specification. AMXB<-SDKClass=VideoProjector> <-GUID=EPSON_EMP001><-Revision=1.0.0>
	AMX DDDP IP BeaconMessage status setting/Get status	AMXDDDP xx	-
		AMXDDDP?	-
	Wireless LAN power	Parameter/ Return code	00: Stop sending BeaconMessage 01: Start sending BeaconMessage INIT (settings only)
		WLPWR x1	- (Network supported)
		WLPWR?	- (Network supported)
		Parameter/ Return code	00: Off 01: Wireless LAN On
		Screen Mirroring (power) setting/Get	WDPWR x1
	WDPWR?		-
Parameter/ Return code	00: Off 01: On		
Performance tuning setting/Get value	WDPERF x1	-	
	WDPERF?	-	
	Parameter/ Return code	01: 1 (Fine) 02: 2 03: 3 04: 4 (Fast)	
	Reflect Screen Mirroring setting	WDRESET	-
Interrupt Screen Mirroring setting/Get value	WDINTRPT x1	-	
	WDINTRPT?	-	
	Parameter/ Return code	00: Off 01: On	
	Capture setting/Get value	WDCAPT x1	- (EB-770Fi/EB-760Wi)
WDCAPT?		- (EB-770Fi/EB-760Wi)	
Parameter/ Return code		00: Off 01: On	
Information bar setting/Get value	WDINFOBAR x1	-	
	WDINFOBAR?	-	
	Parameter/ Return code	00: Off 01: On	

Item	Function	Command	Setting Value/Response Value
Information	Get light source usage hour	LAMP?	-
		Return code	LAMP=x1 x1: Light Source Hours
	Get usage hours	ONTIME?	-
		Return code	ONTIME=x1 x1: Operation Hours
	Get signal status	SIGNAL?	-
		Return code	00: No signal 01: With signal FF: Unsupported signal
	Get input source information	SOURCELIST?	-
		Return code	30 HDMI1 A0 HDMI2 C0 HDMI3 10 Computer1 20 Computer2 41 Video 51 USB Display 52 USB 53 LAN 56 Screen Mirroring1 59 Screen Mirroring2
	Get input source information (all source)	SOURCELISTA?	-
		Return code	30 HDMI1 A0 HDMI2 C0 HDMI3 10 Computer1 20 Computer2 41 Video 51 USB Display 52 USB 53 LAN 56 Screen Mirroring1 59 Screen Mirroring2
Log save destination	LOGTO x1	-	
	LOGTO?	-	
	Parameter/ Return code	00: Internal Memory 01: USB and Internal Memory	
Interactive	Touch unit power	ITRLC x1	-(EB-770Fi/EB-760Wi)
		ITRLC?	-(EB-770Fi/EB-760Wi)
		Parameter/ Return code	00: Off 01: On

*1 Available even when the password protection is activated.

*2 Only available when you transmit commands using the RS-232C cable.

PJLink Command List

Command	Function	Setting Value/Response Value	Content
POWR?	Power-off (Standby) Abnormal standby	POWR=0	PWR=00,04,05
	Power-on (Laser on)	POWR=1	PWR=01
	Cooling status	POWR=2	PWR=03
	Warm up status	POWR=3	PWR=02
INPT INPT? INST?	RGB (Analog RGB signal)	11	Computer1
		12	Computer2
	VIDEO (Video and Component video signal)	21	Video(RCA)
	DIGITAL (Digital signal)	32	HDMI1
		33	HDMI2
		36	HDMI3
	STORAGE (Storage media signal)	41	USB
	NETWORK (Network communication)	52	LAN
		53	USB Display
		55	Whiteboard * Only available for display models (EB-770Fi/EB-760Wi)
57		Screen Mirroring1	
		58	Screen Mirroring2
ERST?	First character: Fan error	2: error	Fan error
	Second character: Laser error		Laser error Laser failure
	Third character: Temperature error		High temperature warning High temperature error
	Sixth character: Other errors		Other warnings Other errors
AVMT?	A/V mute	31	MUTE=ON
	Normal	30	MUTE=OFF
NAME?	Projector name query		Projector name
INF1?	Manufacture name information query		EPSON
INF2?	Product name information query		EB-775F EPSON 775F
			EB-770Fi EPSON 770Fi
			EB-770F EPSON 770F
			EB-760Wi EPSON 760Wi
			EB-760W EPSON 760W
INFO?	Other information query		-
CLSS?	Class information query		2

Command	Function	Setting Value/ Response Value	Content
LAMP?	[L1 light source usage time] [L1 light source query] (ESC/VP21 command: LAMP?, PWSTATUS?)	-	

Class2 Command List

Command	Status	Setting Value/ Response Value	Content
SRCH ?	Request to search projector	-	
ACKN	Response to projector search	-	
LKUP =	Status notification (link up)	-	When address is confirmed
ERST =	Status notification (error occurred)	-	
POWR =	Status notification (changing power status)	-	
INPT =	Status notification (changing input source)	-	
SNUM ?	Serial number query	-	
SVER ?	Software version query	-	Response Main (P)
INNM ?	Input port name query	-	include Whiteboard (EB-770Fi/EB-760Wi)
IRES ?	Input resolution query	-	
RRES ?	Recommended resolution query	-	
FILT ?	Filter usage time query	0 (no count)	
RFIL ?	Response filter model number	ELPAF60	
SVOL	Adjust speaker volume	VOL INC/DEC	
MVOL	Adjust mic volume	MICLEVEL INC/DEC	
FREZ	Freeze	1	FREEZE=ON
FREZ ?	Freeze off	0	FREEZE=OFF

Art-Net Channel Definitions (EB-775F/EB-770F)

The following table lists the channel definitions used to control the projector in Art-Net. First, set Channel 13 to "Can control".

Channel/Function	Channel/Function	Operation	Parameters	Default value
1 Adjusting light (dimming)	0% to 100%	0 to 255	0	Adjusts the image brightness.
2 Shutter control	Shutter open	0 to 63	128	Enables/disables A/V Mute.
	Non-operational	64 to 191		
	Shutter closed	192 to 255		
3 Switch source	Non-operational	0 to 7	0	Switches to the specified source.
	HDMI1	8 to 15		
	HDMI2	16 to 23		
	Non-operational	24 to 31		
	Non-operational (DVI-D)	32 to 39		
	Non-operational (Display Port)	40 to 47		
	Non-operational (SDI)	48 to 55		
	Computer1	56 to 63		
	Computer2	64 to 71		
	Non-operational (BNC)	72 to 79		
	LAN	80 to 87		
	Screen Mirroring1	88 to 95		
	Screen Mirroring2	96 to 103		
	USB Display	104 to 111		
	USB	112 to 119		
Spotlight	120 to 127			
Video	128 to 135			
Non-operational	136 to 255			
7 Zoom	E-Zoom	0 to 254	255	Zooms using the specified amount of movement.
	Non-operational	255		
11 Power control	Power off	0 to 63	128	Turns the projector power on or off.
	Non-operational	64 to 191		
	Power on	192 to 255		
13 Lock	Cannot control	0 to 127	0	Enables/disables Art-Net operations.
	Can control	128 to 255		
18 Content playback	Non-operational	0 to 3	0	Plays the specified playlist.
	Playlist 1	4 to 7		
	Playlist 2	8 to 11		
	Playlist 3	12 to 15		
	Playlist 4	16 to 19		
	Playlist 5	20 to 23		
	Playlist 6	24 to 27		
	Playlist 7	28 to 31		
	Playlist 8	32 to 35		
	Playlist 9	36 to 39		
	Playlist 10	40 to 43		

Channel/Function	Channel/Function	Operation	Parameters	Default value
18 Content playback	Playlist 11	44 to 47	0	Plays the specified playlist.
	Playlist 12	48 to 51		
	Playlist 13	52 to 55		
	Playlist 14	56 to 59		
	Playlist 15	60 to 63		
	Playlist 16	64 to 67		
	Playlist 17	68 to 71		
	Playlist 18	72 to 75		
	Playlist 19	76 to 79		
	Playlist 20	80 to 83		
	Playlist 21	84 to 87		
	Playlist 22	88 to 91		
	Playlist 23	92 to 95		
	Playlist 24	96 to 99		
	Playlist 25	100 to 103		
	Playlist 26	104 to 107		
	Playlist 27	108 to 111		
	Playlist 28	112 to 115		
	Playlist 29	116 to 119		
	Playlist 30	120 to 123		
	Playlist 31	124 to 127		
	Playlist 32	128 to 131		
	Playlist 33	132 to 135		
	Playlist 34	136 to 139		
	Playlist 35	140 to 143		
	Playlist 36	144 to 147		
	Playlist 37	148 to 151		
	Playlist 38	152 to 155		
	Playlist 39	156 to 159		
	Playlist 40	160 to 163		
	Playlist 41	164 to 167		
Playlist 42	168 to 171			
Playlist 43	172 to 175			
Playlist 44	176 to 179			
Playlist 45	180 to 183			
Playlist 46	184 to 187			
Playlist 47	188 to 191			
Playlist 48	192 to 195			
Playlist 49	196 to 199			
Playlist 50	200 to 203			
	Non-operational	204 to 255		

If you are controlling the projector using Art-Net and operating it from the remote control, settings made by the DMX controller or application software may differ from the projector's actual status. If you want to apply all the channel controls to the projector, set Channel 13 to "Cannot control", then set it back to "Can control".

■ Appendix

Trademarks

EPSON is a registered trademark of Seiko Epson Corporation.

Gmail is a trademark or a registered trademark of Google Inc.

Yahoo! is a trademark or a registered trademark of Yahoo! Inc. in the United States.

Outlook, Office365 are trademarks or registered trademarks of Microsoft Corporation in the United States.

Cautions

1. The copyright for this document is owned by the Seiko Epson Corporation. No part of this document may be reproduced, stored in a retrieval system, or transmitted in any form or by any means, electronic, mechanical, photocopying, recording, or otherwise, without the prior written permission of Seiko Epson Corporation.
2. This document is only to be used as instruction document for projector products.

Disclaimer

1. The contents of this document are subject to change without notice.
2. While every precaution has been taken in the preparation of this document, Seiko Epson Corporation assumes no responsibility for errors or omissions. Neither is any liability assumed for damages resulting from the use of the information contained herein.
3. Responsibility for use of this document lies with the user. Seiko Epson Corporation shall not be liable to the purchaser of this document or third parties for damages, losses, costs, or expenses incurred by the purchaser or third parties as a result of use of this document.