

EPSON

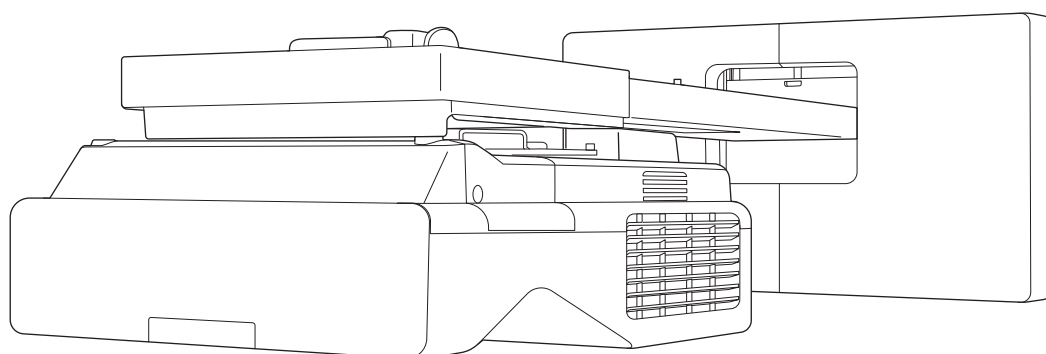
EB-775F

EB-770F

EB-760W

ELPMB62

Installation Guide





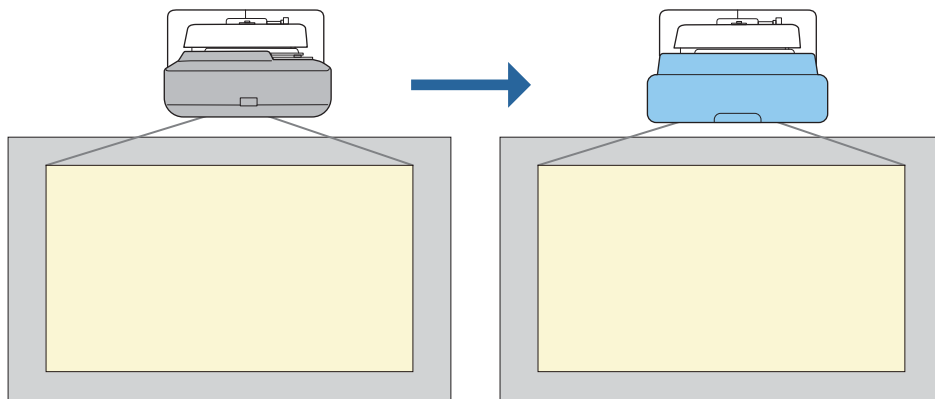
Contents of this Guide

This guide explains how to install an ultra-short throw projector (EB-775F/EB-770F/EB-760W) using the wall mount (ELPMB62).

If the mount is not supplied with the projector, you can purchase it as an optional item.

About Replacement Installations

You can replace the currently installed projector with EB-775F/EB-770F/EB-760W.



After replacing the projector, fine-tune the position of the projected image.

Conditions for Replacement Installations

When replacing the projector, check if the following conditions are met.

- The installed projector is one of the following:

- | | | | |
|---------------------|------------------|-------------|------------|
| • BrightLink 485Wi | • PowerLite 470 | • EB-485W | • EB-470 |
| • BrightLink 485Wi+ | • PowerLite 480 | • EB-485We | • EB-480 |
| • BrightLink 475Wi | • EB-485Wi | • EB-475W | • EB-480e |
| • BrightLink 475Wi+ | • EB-485Wie | • EB-475We | • EB-480i |
| • BrightLink 480i | • EB-475Wi | | • EB-470i |
| • PowerLite 485W | • EB-475Wie | | |
| • PowerLite 475W | | | |
| • BrightLink 595Wi | • PowerLite 585W | • EB-595Wi | • EB-585W |
| • BrightLink 595Wi+ | • PowerLite 575W | • EB-595Wie | • EB-585We |
| • BrightLink 585Wi | • PowerLite 580 | • EB-585Wi | • EB-575W |
| • BrightLink 585Wi+ | • PowerLite 570 | • EB-575Wi | • EB-575We |
| • BrightLink 575Wi | | • EB-575Wie | • EB-580 |
| • BrightLink 575Wi+ | | | • EB-580e |
| | | | • EB-570 |
| • BrightLink 695Wi | • PowerLite 685W | • EB-695Wi | • EB-685W |
| • BrightLink 695Wi+ | • PowerLite 675W | • EB-695Wie | • EB-675W |
| • BrightLink 685Wi | • PowerLite 680 | • EB-685Wi | • EB-680 |
| • BrightLink 685Wi+ | • PowerLite 670 | • EB-680Wi | • EB-680e |
| • BrightLink 680Wi | | • EB-675Wi | • EB-670 |
| • BrightLink 675Wi | | | |
| • BrightLink 675Wi+ | | | |

- EB-755F
- EB-750F
- EB-735Fi
- EB-735F
- EB-725Wi
- EB-725W
- EB-720
- The installed wall mount is one of the following:
 - ELPMB28
 - ELPMB43
 - ELPMB46
- Projecting at a size of 65 to 100 inches
- Projectors have the same resolution

Example Workflow for Replacement Installations

You can replace the projector using the following workflow. The mount or your projector may differ from the illustrations. For details on handling and adjusting the mount, see the *Installation Guide* for the projector that has already been installed or for the wall mount.

1 Remove the old projector

- Remove the end cap (also remove the wall plate cover if necessary)
- Remove the adjustment unit from the setting plate

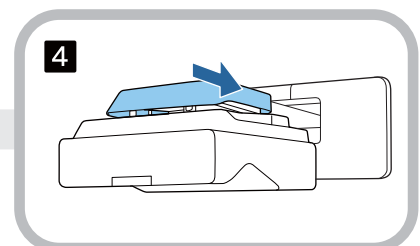
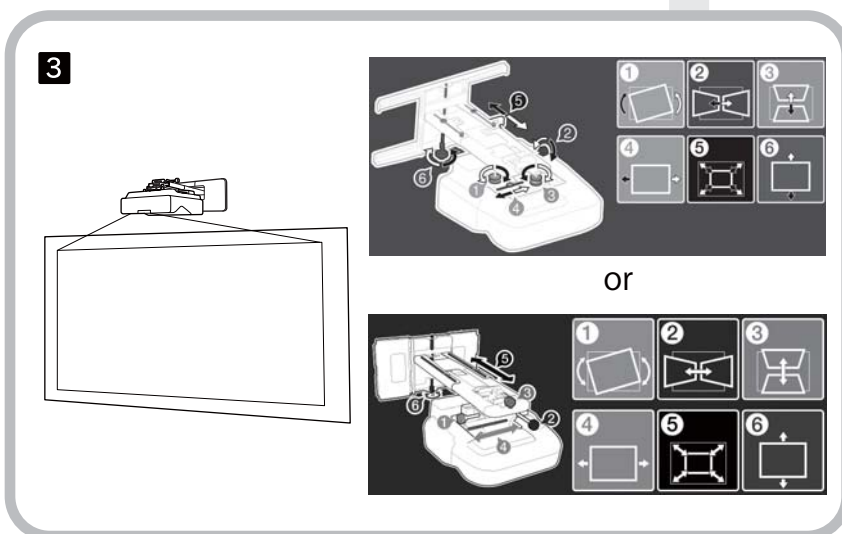
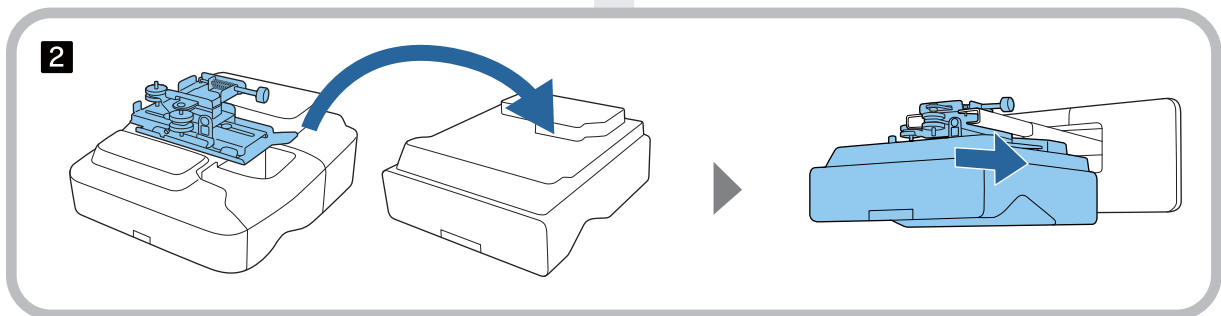
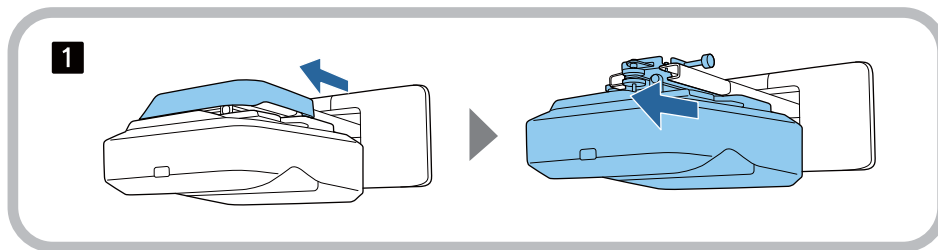
2 Install the new projector

- Remove the adjustment unit from the old projector and attach it to the new projector
- Attach the adjustment unit to the setting plate

3 Fine-tune the image

While projecting an image, fine-tune the position of the image using the adjustment dial on the mount and the projector's correction features

4 Attach the end cap



About This Installation Guide

Contents of this Guide 1

About Replacement Installations 2

Conditions for Replacement Installations 2

Example Workflow for Replacement Installations

..... 4

Introduction

Using the Product Safely 6

Safety Indications 6

Explanation of Symbols 6

Package Contents 7

Wall Mount 7

Main Mount 7

Accessories 8

Necessary Items 9

Figures of Installation Dimensions 10

Installing the Wall mount

Cautions on Installing the Wall Mount
..... 11

**Cautions on the Installation Location of
the Wall Mount** 14

Wall Mount Specifications 16

External Dimensions 17

Adjustment Range 20

Vertical slide 20

Horizontal slide 20

Forward/backward slide 21

Mini PC Installation Plate 22

Installing Accessories 22

**Installation Procedure for the Wall
Mount** 23

Attaching the Mount 24

Determining the installation position
(projection distance tables) 24

EB-775F/EB-770F 28

EB-760W 42

Attaching the adjustment unit to the
projector 50

Install the wall plate on the wall 51

Attaching the setting plate to the wall plate
..... 54

Attaching the adjustment unit to the setting
plate 59

Attaching peripheral devices 60

Adjusting the Position of the Projected Image
..... 63

Preparations before adjusting 65

Adjusting using the Epson Setting Assistant
..... 65

Performing mechanical adjustment using
the Setting Plate Installation Guide 67

Adjusting using the projector menus 70

Attaching the Covers 76

Attaching a Security Cable 77

Setting the Projector

Batch Setup Function 79

Setup Using a USB Flash Drive 79

Saving settings to the USB flash drive 79

Copying saved settings to other projectors
..... 81

Setup by Connecting the Computer and
Projector with a USB Cable 82

Saving settings to a computer 82

Copying saved settings to other projectors
..... 83

When Setup Fails 84

**Installing Multiple Projectors (Multi-
Projection)** 85

Setting the Projector ID 85

Adjusting the Image in Multi-Projection 87

When using the EB-775F/EB-770F 87

When using the EB-760W 88

Appendix

List of Safety Symbols 89

General Notice 92

Using the Product Safely



For your safety, read all the instructions in this guide before using this product. Incorrect handling that ignores instructions in this guide could damage this product or could result in personal injury or property damage. Keep this installation guide at hand for future reference.

Read the *User's Guide* and *Safety Instructions* for your projector and follow the instructions in these documents.




Safety Indications

The documentation and this product use graphical symbols to show how to use this product safely.

The indications and their meaning are as follows. Make sure you understand them properly before reading the guide.

Symbol	Explanation
 Warning	This symbol indicates information that, if ignored, could possibly result in personal injury or even death due to incorrect handling.
 Caution	This symbol indicates information that, if ignored, could possibly result in personal injury or physical damage due to incorrect handling.

Explanation of Symbols

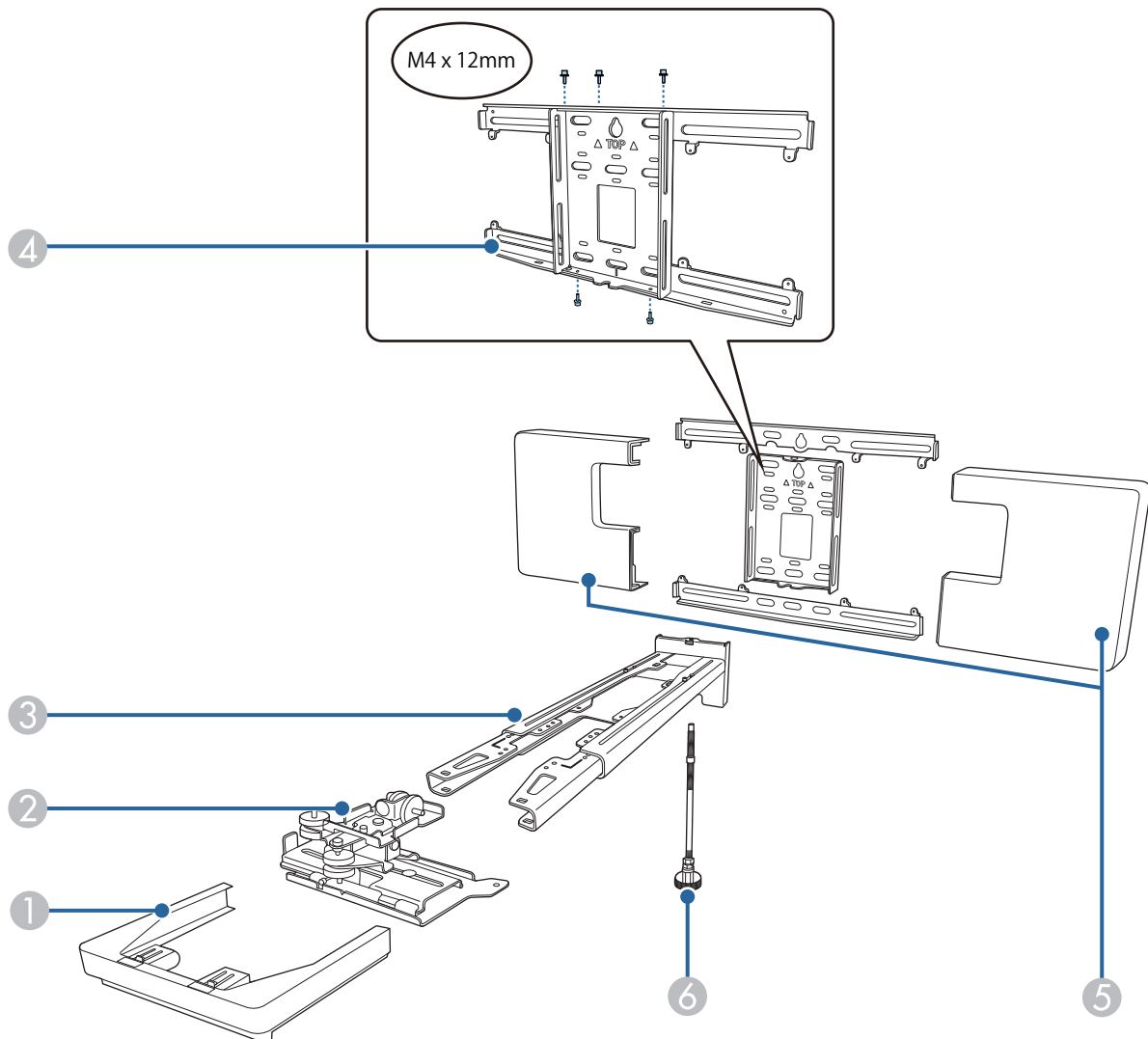
Symbols	Explanation
	Symbol indicating an action that must not be done
	Symbol indicating an action that should be done
	Symbol indicating related or useful information

Package Contents

Confirm that you have all necessary items before beginning installation.

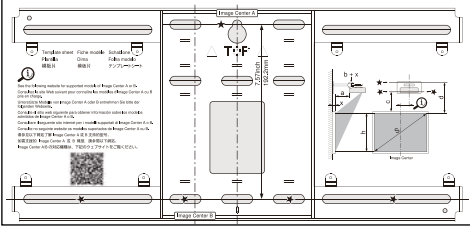
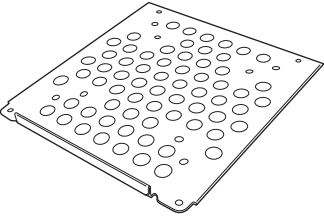


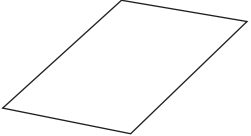
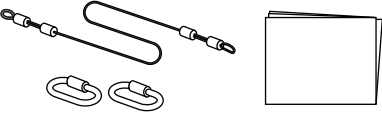

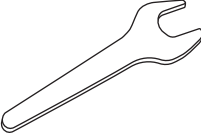


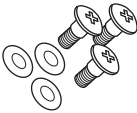
Wall Mount


Main Mount



No.	Part name
①	End cap
②	Adjustment unit
③	Setting plate
④	Wall plate
⑤	Wall plate cover
⑥	Hexagonal axis

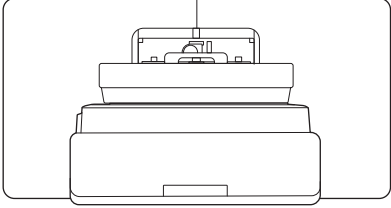
Accessories

Part	Name	Application
	Template sheet	Attach this to the wall before attaching the wall plate, and use it to drill necessary holes.
	Mini PC plate	Attach this to the wall plate when installing a mini PC or stick PC.
	Mini PC belt	Secure the PC to the plate when attaching a mini PC or a stick PC that cannot be attached using screws.
	Cable binding belt	Secure excess cables after performing wiring.
	Masking sticker	Stick this over the groove in the arm of setting plate to cover it up after installing.
	Safety wire set	Connect to the wall mount and the projector to prevent the projector from falling. See the user's guide supplied with the safety wire set for more details.
	Hexagon wrench (for M4)	-
	Spanner (No. 13 for M6)	-
	M4 x 12 mm hexagon socket head cap bolt with washer/spring washer (x13)	<ul style="list-style-type: none"> Assemble the wall plate as shown in the figure on p.7 (x5) Secure the adjustment unit to the projector (x4) Secure the adjustment unit to the setting plate (x4)
	M6 x 20 mm hexagon shoulder head bolt with washer/spring washer (x1)	Secure the setting plate to the wall plate.
	M6 x 20 mm cross recessed head shoulder screws with plastic washers (x3)	

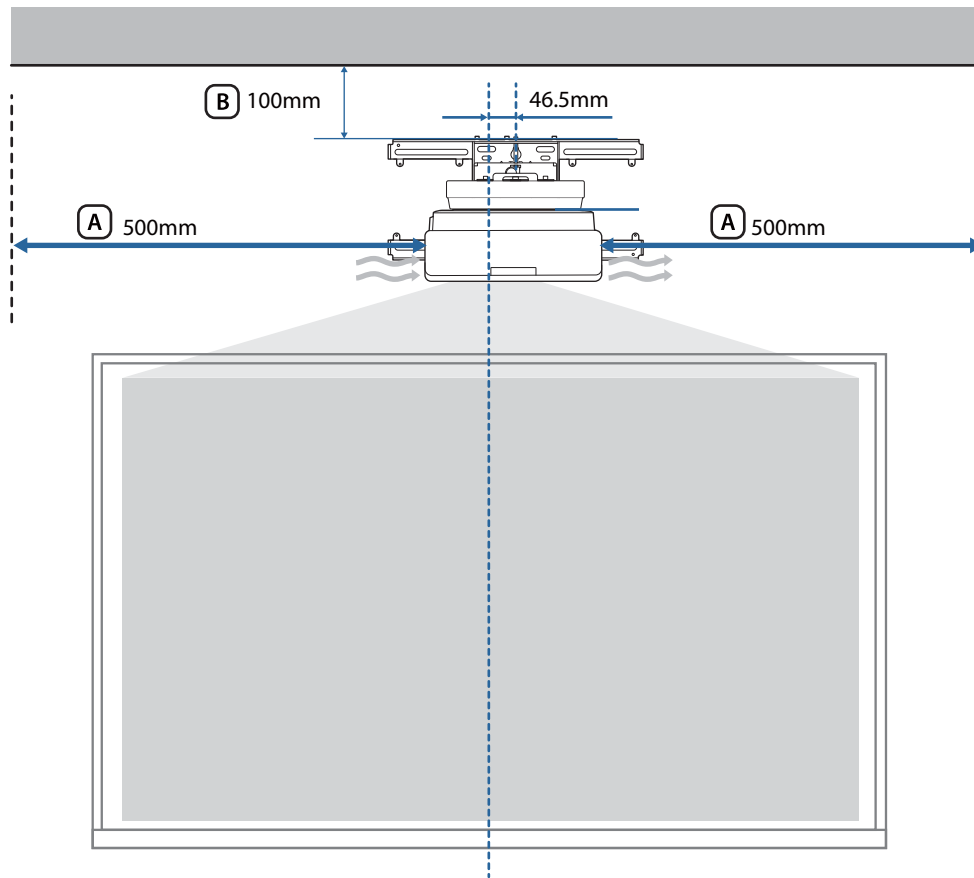
Part	Name	Application
	M3 x 6 mm cross recessed head shoulder screws (x4)	Secure the mini PC plate to the wall plate.

Necessary Items

As well as the items supplied, you also need to prepare the following screws and tools.

Applicable parts	Necessary items
	<p>For the wall mount</p> <ul style="list-style-type: none"> • M10 or 3/8 inch x 60 mm anchor bolts (for securing the wall plate: at least x4) • M10 screw (for securing the wall plate temporarily: x1) • 17 mm ratchet wrench (for adjusting hexagonal axis) • Cables to connect to the projector • Devices such as mini PCs

Figures of Installation Dimensions













Caution













When installing the projector, make sure there is a gap between the wall and the projector's air exhaust and intake vents. (See figure **A** above)














Leaving a gap of approximately 100 mm from the ceiling to the top of the wall plate makes it easier to install and remove the projector. (See figure **B** above)






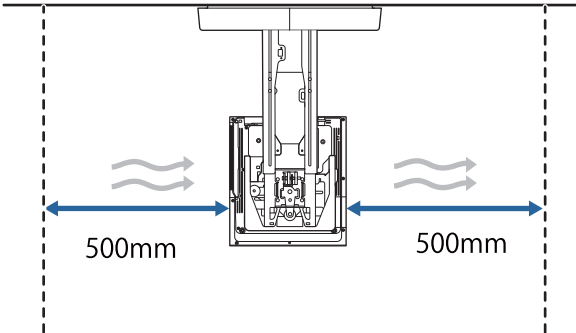


Cautions on Installing the Wall Mount


 Warning	
<p>The Wall mount is exclusively for mounting the projector on a wall. If anything other than a projector is mounted, the weight may result in damage.</p> <p>If this product falls, it could cause death or personal injury.</p>	
<p>The installation work (wall mounting) should be performed by specialists who have technical knowledge and ability. Incomplete or incorrect installation could cause the product to fall and cause personal injury or property damage.</p>	
<p>Follow the steps in this guide to install the Wall mount, and be sure to use the bolts and screws specified in this guide.</p> <p>If the instructions are not followed, this product may fall, resulting in personal injury or an accident.</p>	
<p>Handle the power cord carefully.</p> <p>Incorrect handling may cause fire or electric shock. Observe the following precautions when handling:</p> <ul style="list-style-type: none"> • Do not handle the power plug with wet hands. • Do not use a power cord that is damaged or modified. • Do not pull the power cord with too much force when routing the cable through the setting plate. 	
<p>Do not install the setting plate in a place where it might be subjected to vibration or shock.</p> <p>This could cause damage to the projector or mounting surface. If this product falls, it could cause death or personal injury.</p>	
<p>When installing on a wall, install so that it can sufficiently support the mass of the projector and the Wall mount and resist any horizontal vibration. Use M10 or 3/8 inch x 60 mm nuts and bolts.</p> <p>Nuts and bolts smaller than M10 or 3/8 inch x 60 mm could cause the setting plate to fall. Epson accepts no responsibility for any damage or injury caused by lack of wall strength or inadequate installation.</p>	
<p>The installation work should be performed by at least two qualified service personnel. If you need to loosen any screws during installation, be careful not to drop this product.</p> <p>If this product falls, it could cause death or personal injury.</p>	
<p>When installing this product on a wall, the wall requires enough strength to hold the projector and the Wall mount.</p> <p>This product should be installed on a concrete wall.</p> <p>The maximum combined weight of the projector and the Wall mount is approximately 15.1 kg (not including cables).</p> <p>Ensure the strength of the wall before mounting this product on the wall. If the wall is not strong enough, reinforce the wall before installation.</p>	
<p>Inspect the setting plate on a regular basis to ensure there are no broken parts or loose screws.</p> <p>If any parts are damaged, stop using the setting plate immediately. If this product falls, it could cause death or personal injury.</p>	


 Warning	
<p>Do not disassemble or remodel this product.</p> <p>There are numerous high-voltage sections inside the product that could cause a fire, electric shock, or an accident.</p>	
<p>Do not hang on this product. Do not hang heavy objects on this product.</p> <p>If this product falls, it could cause death or personal injury.</p>	
<p>Do not use adhesives, lubricants, or oils to install or adjust the Wall mount.</p> <p>If you use adhesives to prevent the screws from loosening or things such as lubricants or oils on the slide plate fixing part of the projector, the case may crack and cause the projector to fall, resulting in personal injury or property damage.</p>	
<p>Tighten all screws firmly after adjustment.</p> <p>Otherwise, the product may fall and cause personal injury or property damage.</p>	
<p>Never loosen the bolts and nuts after installation.</p> <p>Confirm that the screws have not become loose on a regular basis. If you find any loose screws, tighten them firmly. Otherwise, the product may fall and cause personal injury or property damage.</p>	
<p>Route the cables so that they are not interfered with the nuts and bolts.</p> <p>Incorrect handling of the cables may cause fire or electric shock.</p>	
<p>When turning on the projector, do not look into the projection window.</p> <p>This could cause damage to eyesight due to the powerful light emitted. Take particular care when there are children present. When turning on the projector at a distance using the remote control, make sure there is no one looking into the projection window.</p>	
<p>When using the projector, do not place any objects or put your hand near the projection window.</p> <p>This area is dangerous as it reaches a high temperature due to the concentrated projection light.</p>	
<p>Do not use the projector in a location subject to combustible or explosive gas.</p> <p>High temperatures within the projector may cause ignition and a fire to occur.</p>	
<p>Only a specialist should remove or reinstall the projector, including for maintenance and repairs.</p> <p>See the projector's <i>User's Guide</i> for instructions on maintenance and repairs.</p>	
<p>If any abnormalities occur with this product, immediately disconnect the cables from the product, and then contact your local dealer or the nearest Epson service call center.</p> <p>Continuing to use the product in an abnormal condition could cause a fire, electric shock, or visual impairment.</p>	

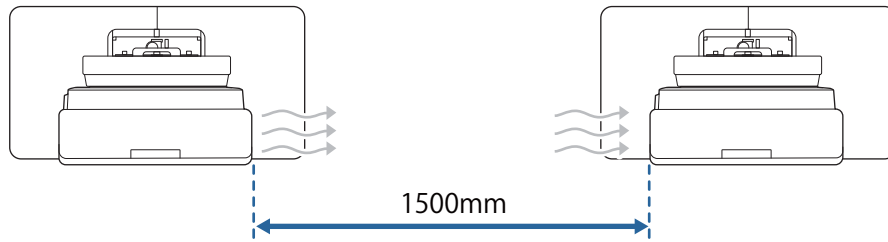
 Warning	
<p>Laser warning labels have been attached to the projector.</p> <p>Do not look into the laser beam emitted from the projection window while projecting. (Compliant with IEC/EN60825-1:2014)</p> 	
<p>Never open any cases on the projector.</p> <p>Electrical voltages inside the projector can cause severe injury.</p>	
<p>Do not look directly into the projector's light source.</p> <p>Possibly hazardous optical radiation emitted from this product. Eye injury may result.</p>	
 Caution	
<p>Do not install this product in a location where the operating temperature for your projector model may be exceeded.</p> <p>Such an environment may damage the projector.</p>	
<p>Install this product in a place free from excessive dust and humidity to prevent the lens or optical components from becoming dirty.</p>	
<p>Do not use excessive force when adjusting this product.</p> <p>This product may break, resulting in personal injury.</p>	
<p>This projector is a Class 1 laser product that complies with the IEC/EN60825-1: 2014 international standard for lasers.</p>	
<p>Do not disassemble the projector when disposing of it.</p> <p>Dispose according to your local or national laws and regulations.</p>	

Cautions on the Installation Location of the Wall Mount

 Warning	
<p>Do not install in a location subject to oily smoke or smoke for events.</p> <p>If oils and so on stick to the slide plate fixing part of the projector, the case may crack and cause the projector to fall, resulting in personal injury or property damage.</p>	
 Caution	
<p>Carry out power supply wiring work at the installation location of the projector in advance.</p>	
<p>Install the projector away from other electric devices such as fluorescent lights or air conditioners.</p> <p>Some types of fluorescent lights could interfere with the remote control.</p>	
<p>When installing the projector, make sure there is a gap between the wall and the projector's air exhaust and intake vents as shown in the following image.</p> <div style="text-align: center;">  </div>	
<p>When installing two or more projectors in parallel, make sure the temperature of the surrounding environment is less than 35°C.</p> <p>If the environment is too hot, the projector may overheat and the power may turn off without warning.</p>	

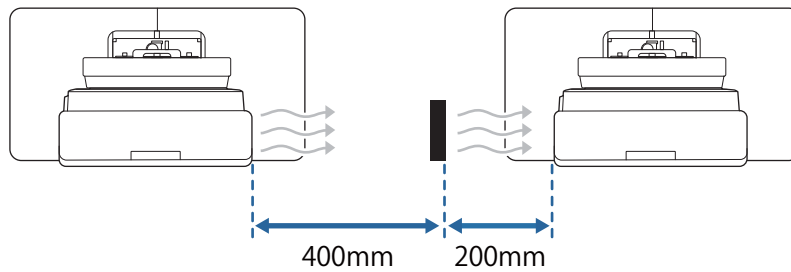
 Caution


When installing two or more projectors in parallel, leave a gap of at least 1,500 mm between the projectors. 



If you cannot secure a gap of approx. 1,200 mm, install a partition to block the heat vented from the projector's air exhaust vent.

The partitions should be larger than the exhaust vent (approx. 20 mm in all directions), and installed approximately 400 mm from the exhaust vent and 200 mm from the intake vents.



Install and adjust the projector at a room temperature that is close to the actual intended usage environment. 

If the temperature changes, the position of the image may shift.

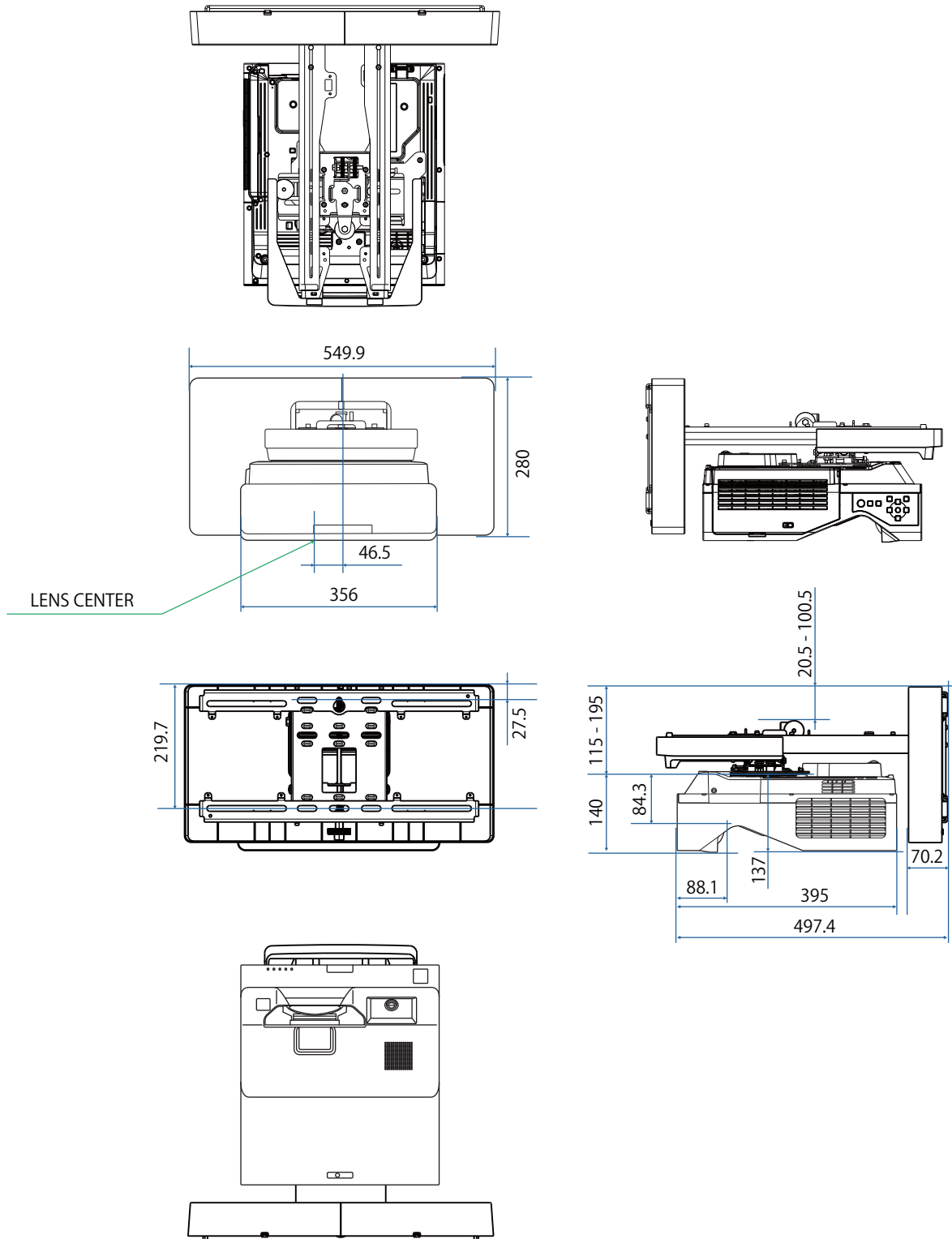
We recommend using stick-on screens or board screens. 

Wall Mount Specifications

Item	Specification
Wall mount mass (setting plate, hexagonal axis, adjustment unit, wall plate, wall plate cover, end cap)	Approx. 9.2 kg
Load capacity	Approx. 15.0 kg

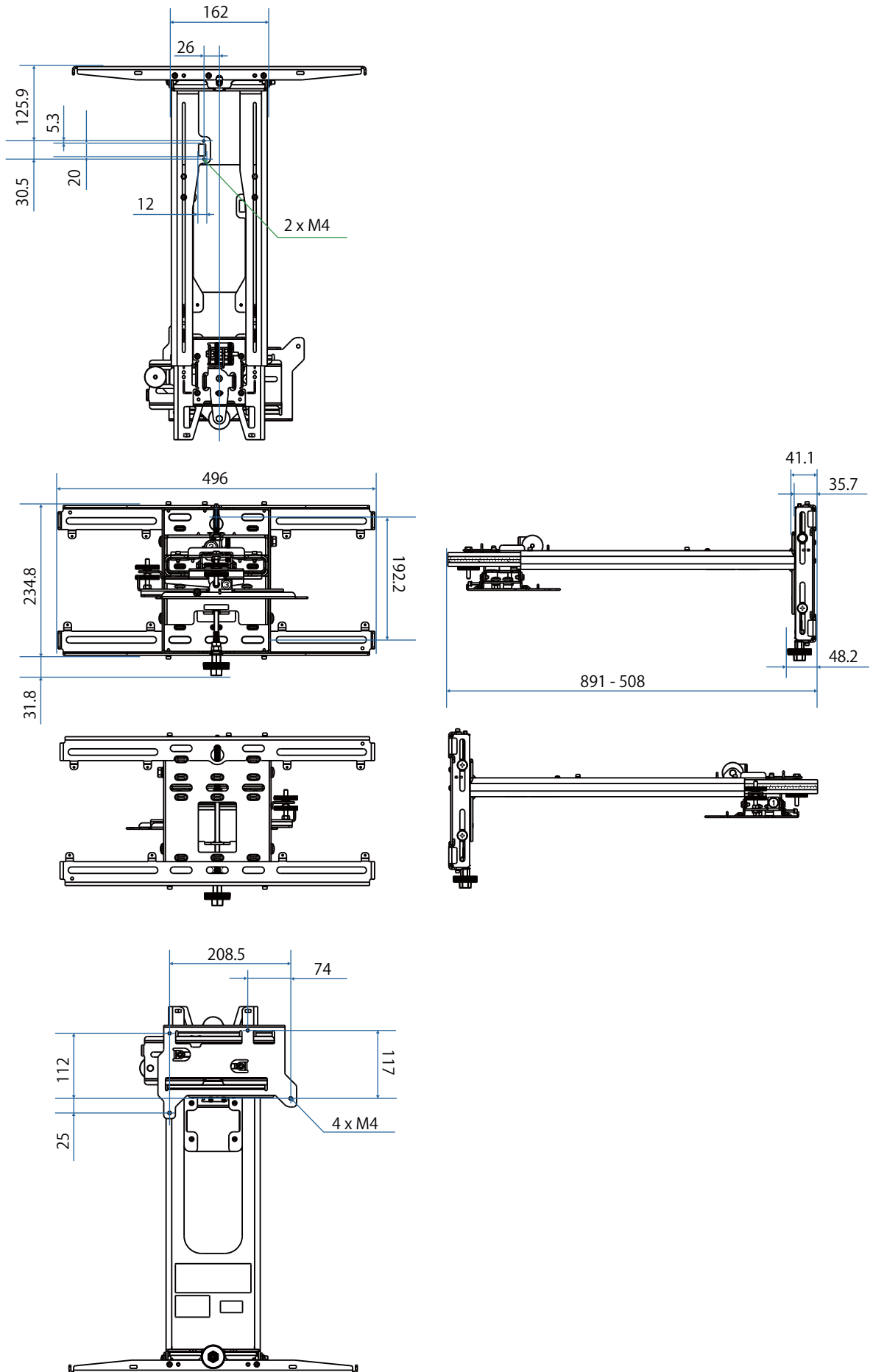
External Dimensions

[Unit: mm]



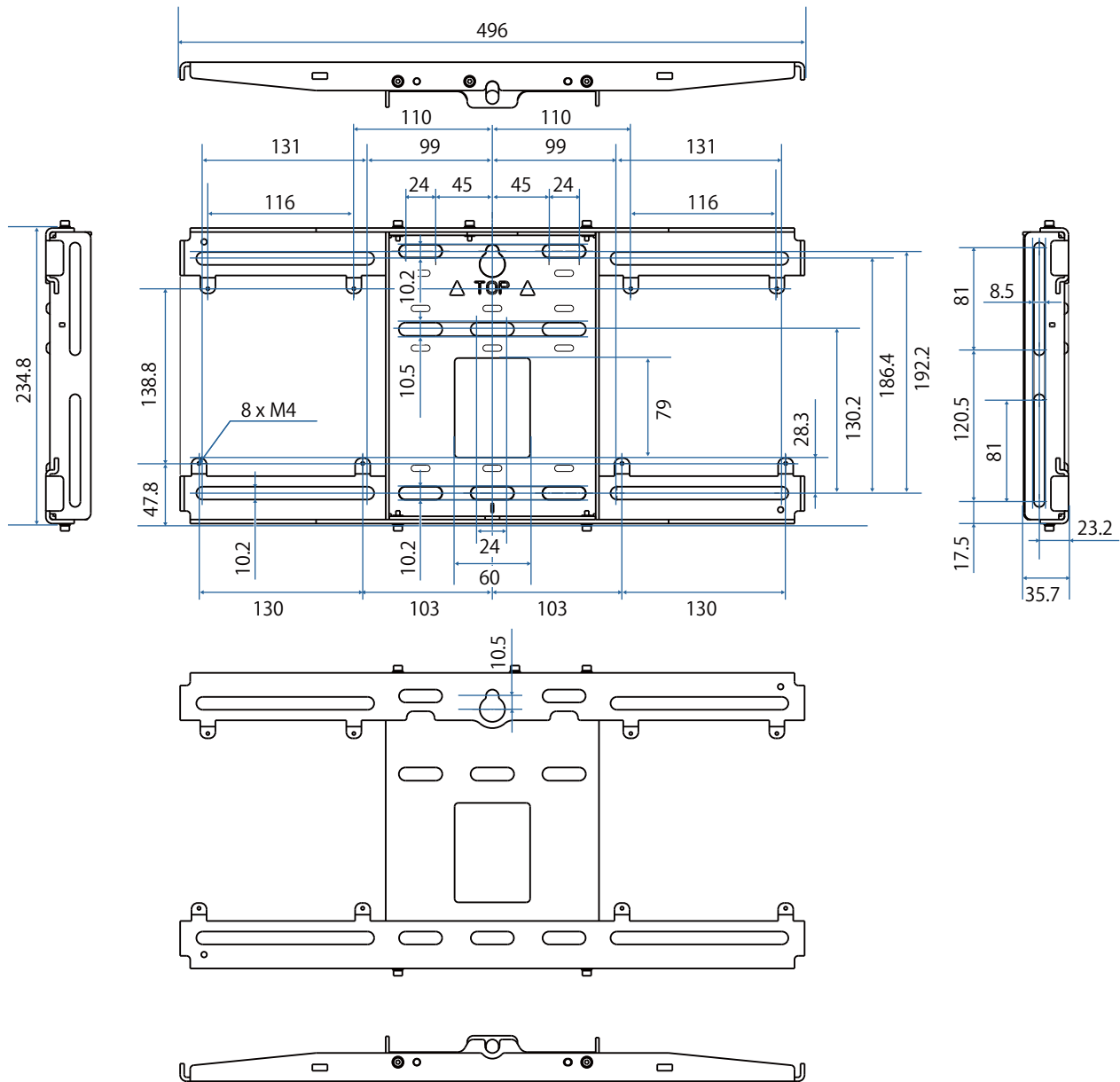
Installing the Wall mount

[Unit: mm]



Installing the Wall mount

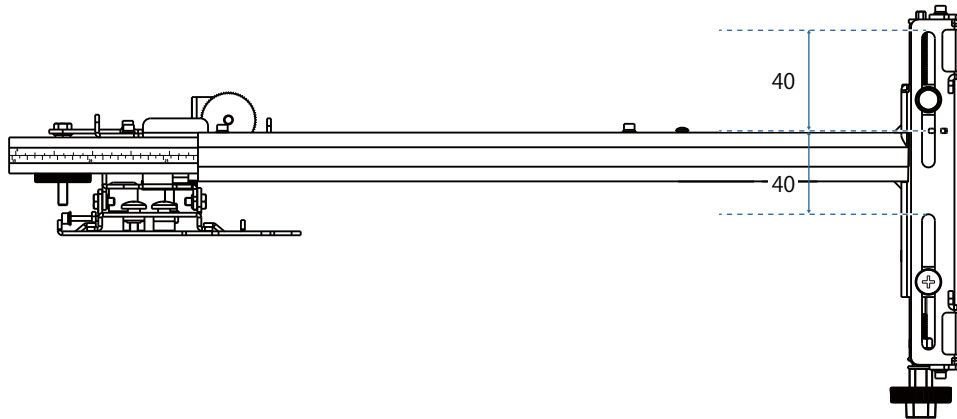
[Unit: mm]



Adjustment Range

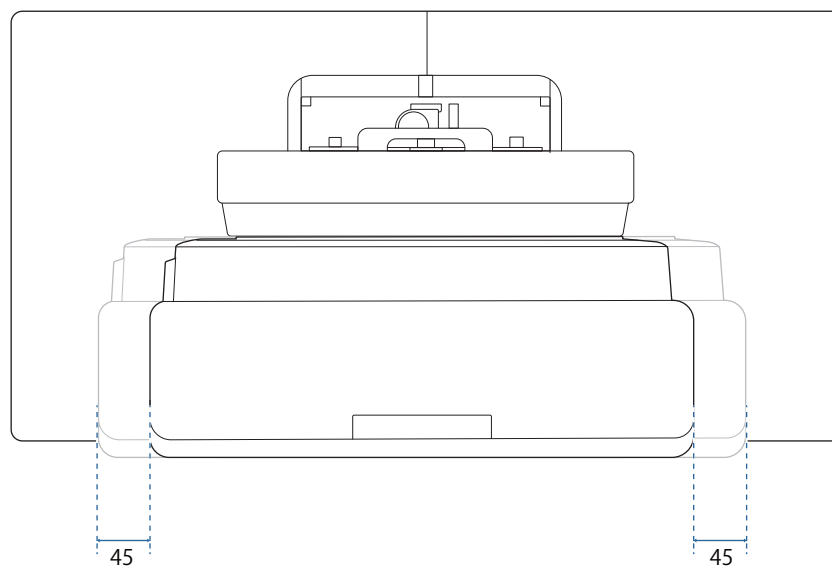
■ Vertical slide

[Unit: mm]



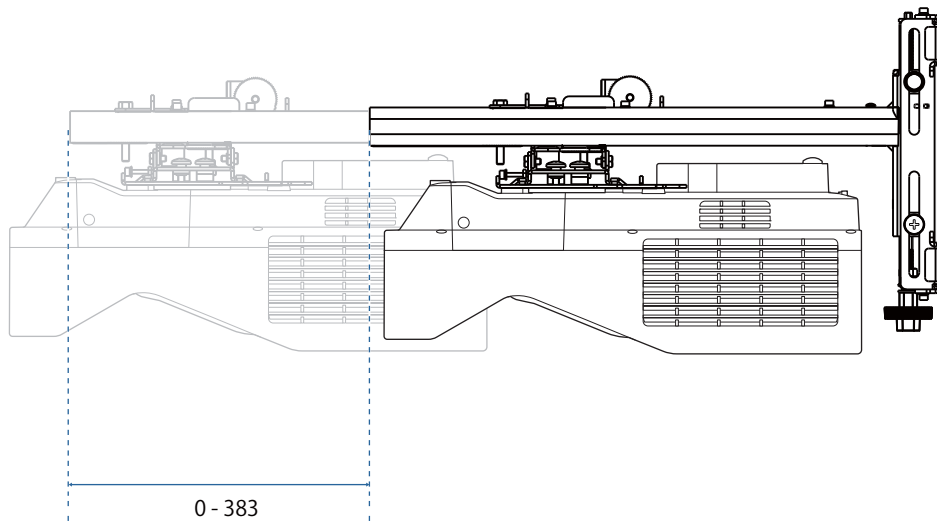
■ Horizontal slide

[Unit: mm]



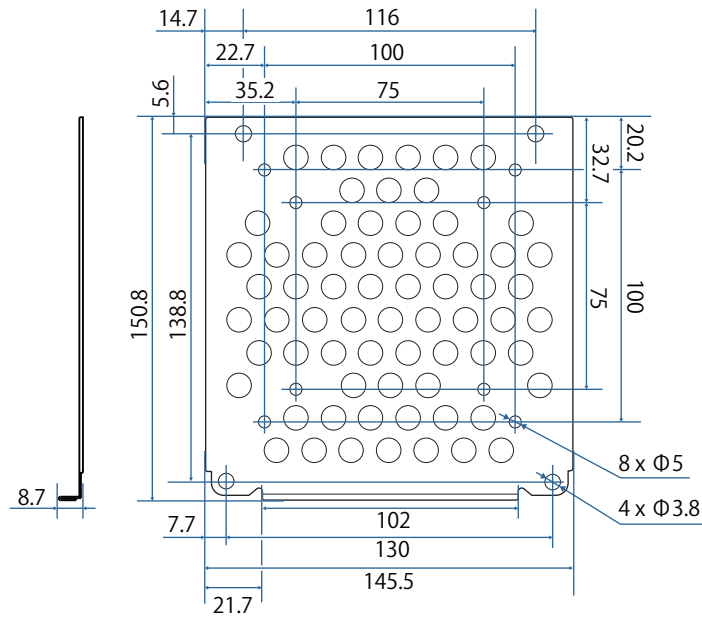
■ Forward/backward slide

[Unit: mm]



Mini PC Installation Plate

[Unit: mm]

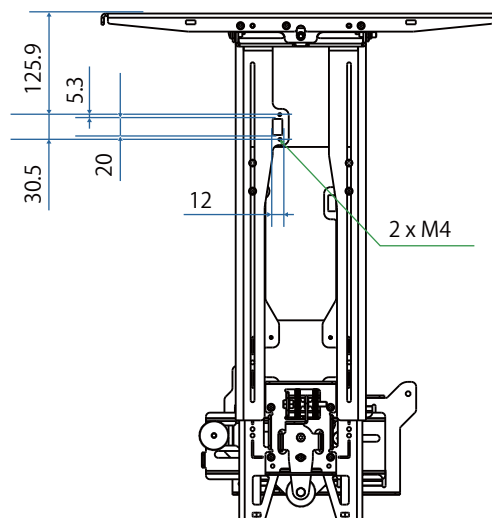


Item	Specification
Screw holes for installing PC (VESA compliant)	75 mm x 75 mm 100 mm x 100 mm
Supported PC sizes	Within 150 mm x 150 mm x 44 mm
Supported PC weight	0.7 kg or less

Installing Accessories

When installing a switcher or a tuner, use the screw holes shown in the figure below to secure them.

[Unit: mm]



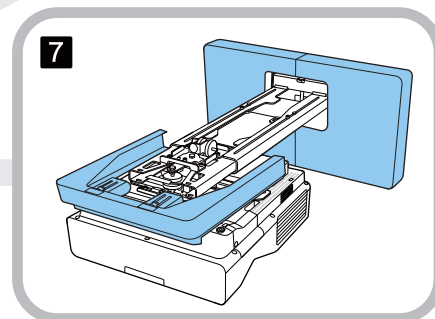
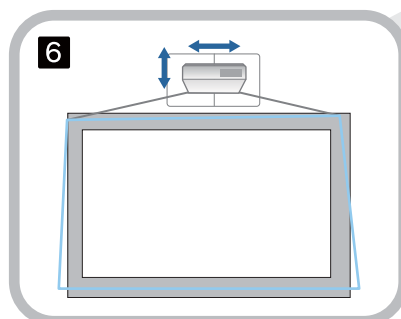
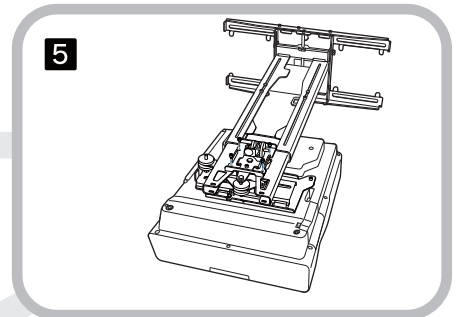
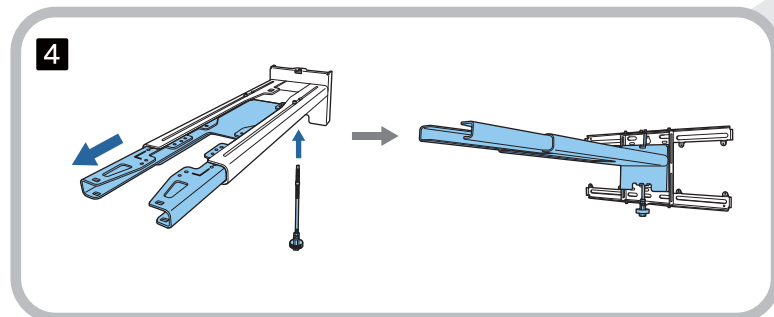
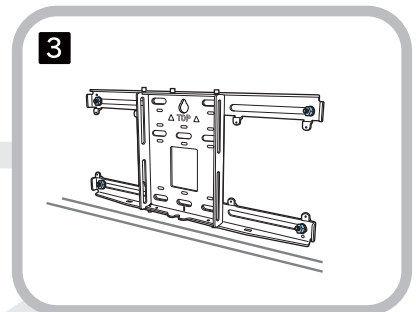
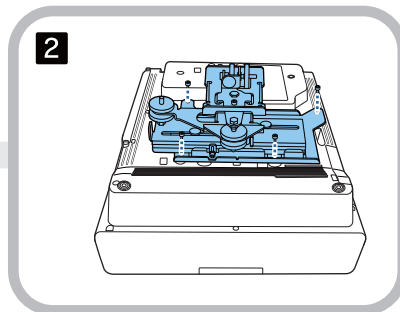
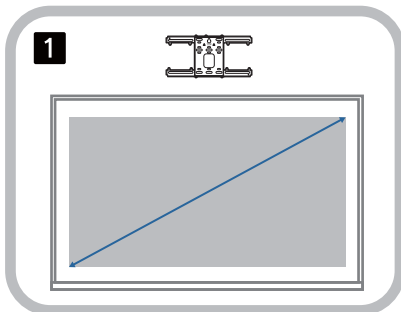
Before installing, check that the total weight, including the projector and connection cables, is below the maximum load capacity for the wall mount. (☛ "Wall Mount Specifications" p.16)

Installation Procedure for the Wall Mount

Follow the work flow below to install the wall mount.

Route the cables before installing the wall mount according to your installation environment.

- 1 Check the projection distance tables to determine the installation position (☞ p.24)
- 2 Attach the adjustment unit to the projector (☞ p.50)
- 3 Install the wall plate on the wall (☞ p.51)
- 4 Adjust the arm length of the setting plate, and then attach it to the wall plate (☞ p.54)
- 5 Attach the adjustment unit to the setting plate, and then connect the cables and peripheral devices (☞ p.59)
- 6 Adjust the position of the image (☞ p.63)
- 7 Attach the covers (☞ p.76)



Attaching the Mount

Determining the installation position (projection distance tables)

Determine the installation position of the wall plate according to the size of the screen (S) you want to project on to. See the following figure to check the values from a to d. This is the value when the setting plate is in the middle of the wall plate (See ☆ in the following illustration).

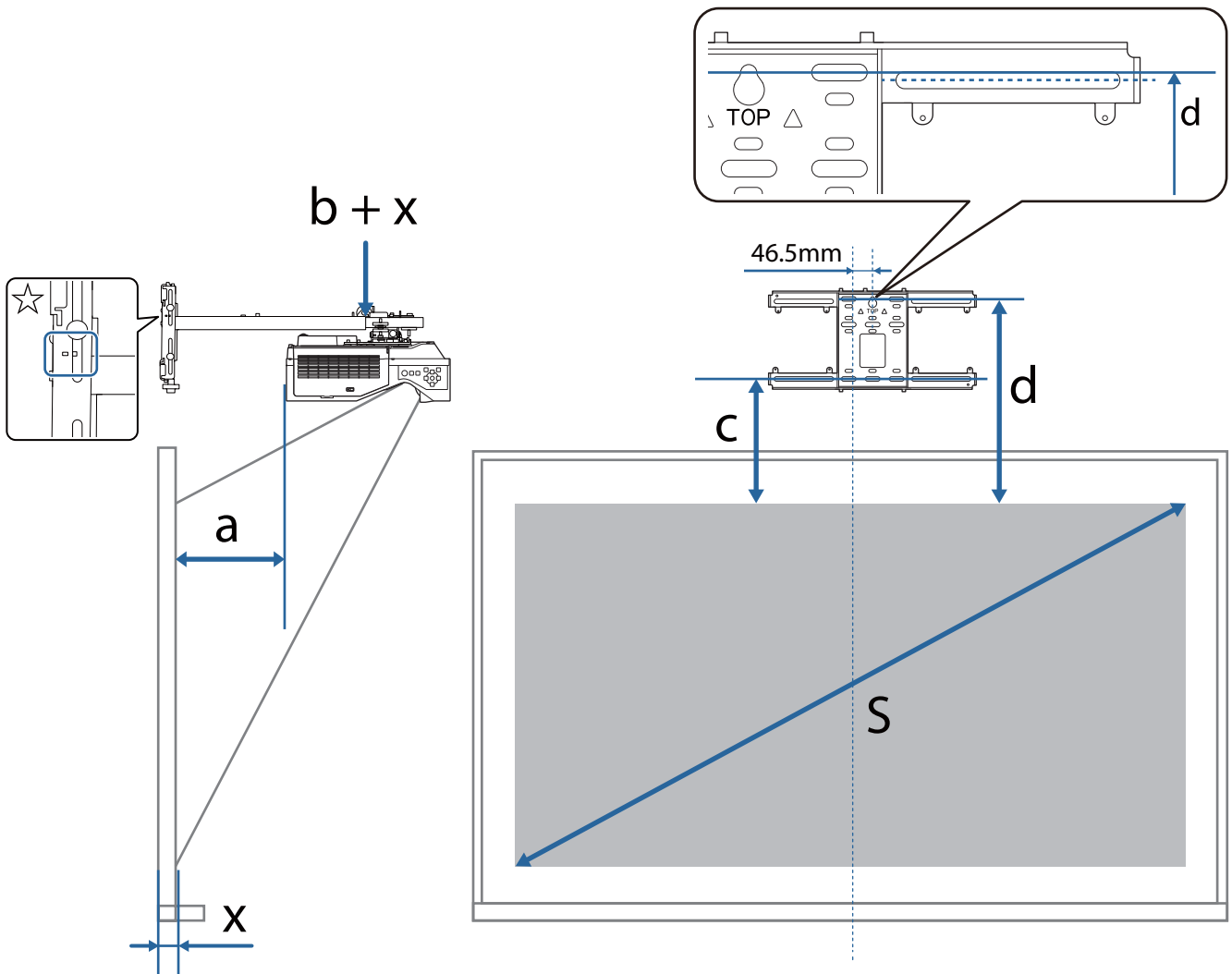
The offset value for the center of the screen being projected and the center of the Wall Plate is 46.5 mm.



When viewing the projector from the front, the minimum/maximum projection sizes are smaller when the projection surface is in front of the wall plate.

When viewing the projector from the front, the minimum/maximum projection sizes are larger when the projection surface is behind the wall plate.

For the minimum/maximum projection sizes, see the screen sizes in the [Internal Specifications] section of the Specifications.



a: Minimum projection distance (Wide)

c: Distance from the top edge of the image to the bottom installation screw hole for the wall plate

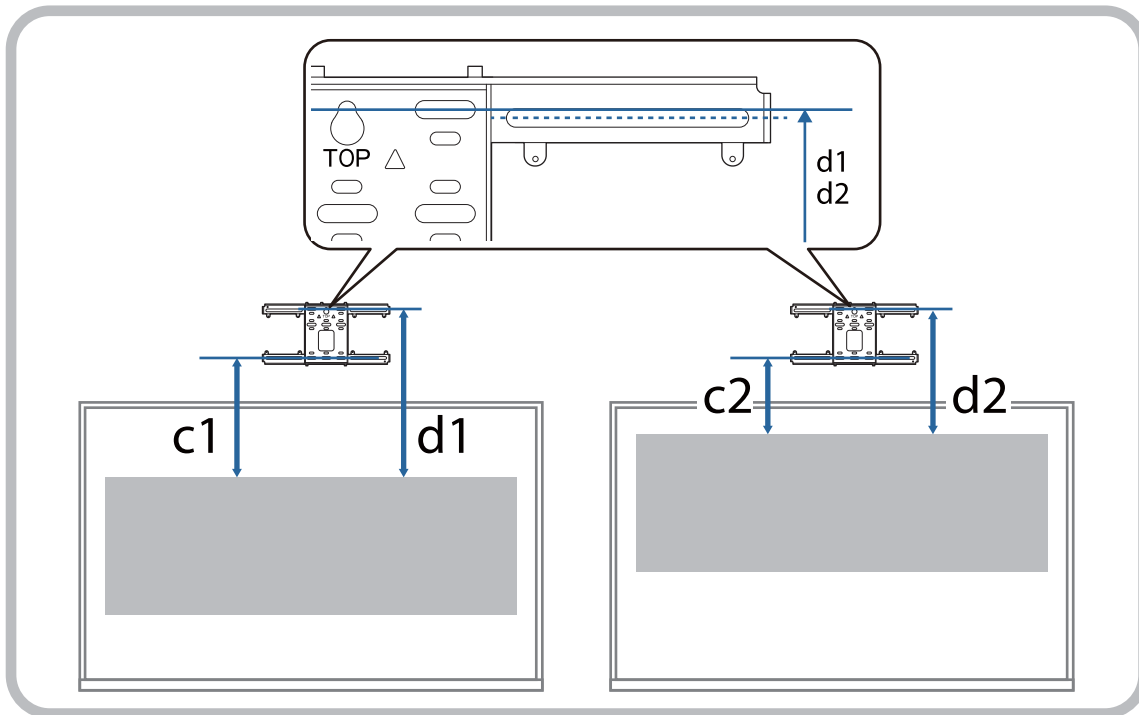
b + x: Number on the arm slide scale on the setting plate (maximum 533 mm)

d: Distance from the top edge of the image to the temporary screw hole for the wall plate

x: Thickness from wall plate installation surface to projection surface S: Projected image size

See the following for the values for c and d when projecting at an aspect ratio of 16:6.
(When using the EB-775F/EB-770F)

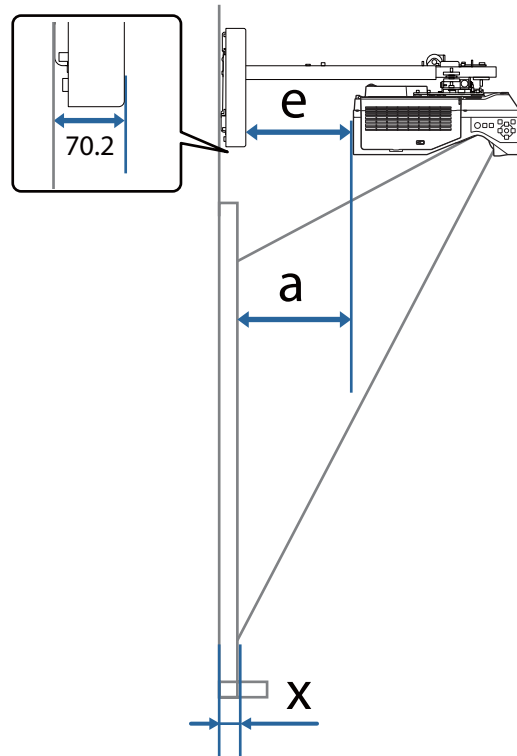
- c1/d1: When the **Screen Position** is in the center
- c2/d2: When the **Screen Position** is at the top




If the projection size is too small, there may not be enough space at the back of the projector for cable connections.

Installing the Wall mount

When you have determined the projection distance (a), see the following figure to calculate the distance (e), and then check in advance whether your cables will fit at the back of the projector.



- a: Minimum projection distance (Wide)
- e: Distance from front of wall plate cover to back of projector
(Formula: $e = a - 70.2 \text{ mm} + x$)
- x: Thickness from wall plate installation surface to projection surface

 EB-775F/EB-770F

16:9 projected image

[Unit: mm]

S	a	b	c	d	x
74 "	107	166	230	422	-5 - +367
75 "	113	172	233	425	-11 - +361
76 "	119	178	236	428	-17 - +355
77 "	126	185	239	431	-24 - +348
78 "	132	191	242	434	-30 - +342
79 "	138	197	245	437	-36 - +336
80 "	145	203	248	440	-42 - +330
81 "	151	210	251	443	-49 - +323
82 "	157	216	254	446	-55 - +317
83 "	164	222	257	449	-61 - +311
84 "	170	229	260	452	-68 - +304
85 "	176	235	263	455	-74 - +298
86 "	182	241	266	458	-80 - +292
87 "	189	248	269	461	-87 - +285
88 "	195	254	272	464	-93 - +279
89 "	201	260	275	467	-99 - +273
90 "	208	180	278	470	-30 - +353
91 "	214	186	281	473	-36 - +347
92 "	220	192	283	476	-42 - +341
93 "	227	198	286	479	-49 - +335
94 "	233	205	289	482	-55 - +328
95 "	239	211	292	485	-61 - +322
96 "	246	217	295	488	-67 - +316
97 "	252	224	298	491	-74 - +309
98 "	258	230	301	494	-80 - +303
99 "	264	236	304	497	-86 - +297
100 "	271	243	307	500	-93 - +290
101 "	277	249	310	502	-99 - +284

S	a	b	c	d	x
102 "	283	255	313	505	-105 - +278
103 "	290	262	316	508	-112 - +271
104 "	296	268	319	511	-118 - +265
105 "	302	274	322	514	-124 - +259
106 "	309	280	325	517	-130 - +253
107 "	315	287	328	520	-137 - +246
108 "	321	293	331	523	-143 - +240
109 "	328	299	334	526	-149 - +234
110 "	334	306	337	529	-156 - +227
111 "	340	312	340	532	-162 - +221
112 "	346	318	343	535	-168 - +215
113 "	353	325	346	538	-175 - +208
114 "	359	331	349	541	-181 - +202
115 "	365	337	352	544	-187 - +196
116 "	372	344	355	547	-194 - +189
117 "	378	350	358	550	-200 - +183
118 "	384	356	361	553	-206 - +177
119 "	391	362	364	556	-212 - +171
120 "	397	369	367	559	-219 - +164
121 "	403	375	370	562	-225 - +158
122 "	410	381	373	565	-231 - +152
123 "	416	388	376	568	-238 - +145
124 "	422	394	379	571	-244 - +139
125 "	428	400	382	574	-250 - +133
126 "	435	407	385	577	-257 - +126
127 "	441	413	388	580	-263 - +120
128 "	447	419	391	583	-269 - +114
129 "	454	426	394	586	-276 - +107

S	a	b	c	d	x
130 "	460	432	397	589	-282 - +101
131 "	466	438	400	592	-288 - +95
132 "	473	444	403	595	-294 - +89
133 "	479	451	406	598	-301 - +82
134 "	485	457	409	601	-307 - +76
135 "	492	463	411	604	-313 - +70
136 "	498	470	414	607	-320 - +63
137 "	504	476	417	610	-326 - +57
138 "	510	482	420	613	-332 - +51
139 "	517	489	423	616	-339 - +44
140 "	523	495	426	619	-345 - +38
141 "	529	501	429	622	-351 - +32
142 "	536	508	432	625	-358 - +26
143 "	542	514	435	628	-364 - +19
144 "	548	520	438	630	-370 - +13
145 "	555	526	441	633	-376 - +7
146 "	561	533	444	636	-383 - +0

4:3 projected image

[Unit: mm]

S	a	b	c	d	x
60 "	103	162	228	420	-1 - +371
61 "	111	170	232	424	-9 - +363
62 "	119	177	235	428	-16 - +356
63 "	126	185	239	431	-24 - +348
64 "	134	193	243	435	-32 - +340
65 "	142	201	246	439	-40 - +332
66 "	150	208	250	442	-47 - +325
67 "	157	216	254	446	-55 - +317
68 "	165	224	257	450	-63 - +309
69 "	173	232	261	453	-71 - +301
70 "	180	239	265	457	-78 - +294
71 "	188	247	268	460	-86 - +286
72 "	196	255	272	464	-94 - +278
73 "	204	262	276	468	-101 - +271
74 "	211	270	279	471	-109 - +263
75 "	219	278	283	475	-117 - +255
76 "	227	286	287	479	-125 - +247
77 "	234	293	290	482	-132 - +240
78 "	242	301	294	486	-140 - +232
79 "	250	309	297	490	-148 - +224
80 "	258	316	301	493	-155 - +217
81 "	265	324	305	497	-163 - +209
82 "	273	332	308	501	-171 - +201
83 "	281	340	312	504	-179 - +193
84 "	288	347	316	508	-186 - +186
85 "	296	355	319	511	-194 - +178
86 "	304	363	323	515	-202 - +170
87 "	312	370	327	519	-209 - +163

S	a	b	c	d	x
88 "	319	378	330	522	-217 - +155
89 "	327	386	334	526	-225 - +147
90 "	335	307	338	530	-157 - +226
91 "	342	314	341	533	-164 - +219
92 "	350	322	345	537	-172 - +211
93 "	358	330	348	541	-180 - +203
94 "	366	337	352	544	-188 - +196
95 "	373	345	356	548	-195 - +188
96 "	381	353	359	552	-203 - +180
97 "	389	361	363	555	-211 - +172
98 "	397	368	367	559	-218 - +165
99 "	404	376	370	562	-226 - +157
100 "	412	384	374	566	-234 - +149
101 "	420	392	378	570	-242 - +141
102 "	427	399	381	573	-249 - +134
103 "	435	407	385	577	-257 - +126
104 "	443	415	389	581	-265 - +118
105 "	451	422	392	584	-272 - +111
106 "	458	430	396	588	-280 - +103
107 "	466	438	399	592	-288 - +95
108 "	474	446	403	595	-296 - +87
109 "	481	453	407	599	-303 - +80
110 "	489	461	410	603	-311 - +72
111 "	497	469	414	606	-319 - +64
112 "	505	476	418	610	-326 - +57
113 "	512	484	421	613	-334 - +49
114 "	520	492	425	617	-342 - +41
115 "	528	500	429	621	-350 - +33
116 "	535	507	432	624	-357 - +26
117 "	543	515	436	628	-365 - +18
118 "	551	523	440	632	-373 - +10
119 "	559	530	443	635	-381 - +3

16:10 projected image

[Unit: mm]

S	a	b	c	d	x
68 "	104	163	228	421	-2 - +370
69 "	111	169	232	424	-8 - +364
70 "	117	176	235	427	-15 - +357
71 "	124	183	238	430	-22 - +350
72 "	131	190	241	434	-29 - +343
73 "	138	197	245	437	-36 - +336
74 "	145	203	248	440	-42 - +330
75 "	151	210	251	443	-49 - +323
76 "	158	217	254	446	-56 - +316
77 "	165	224	257	450	-63 - +309
78 "	172	231	261	453	-70 - +302
79 "	179	238	264	456	-77 - +295
80 "	186	244	267	459	-83 - +289
81 "	192	251	270	462	-90 - +282
82 "	199	258	274	466	-97 - +275
83 "	206	265	277	469	-104 - +268
84 "	213	272	280	472	-111 - +261
85 "	220	278	283	475	-117 - +255
86 "	226	285	286	479	-124 - +248
87 "	233	292	290	482	-131 - +241
88 "	240	299	293	485	-138 - +234
89 "	247	306	296	488	-145 - +227
90 "	254	226	299	491	-76 - +307
91 "	261	232	302	495	-82 - +301
92 "	267	239	306	498	-89 - +294
93 "	274	246	309	501	-96 - +287
94 "	281	253	312	504	-103 - +280
95 "	288	260	315	508	-110 - +273

S	a	b	c	d	x
96 "	295	266	319	511	-116 - +267
97 "	301	273	322	514	-123 - +260
98 "	308	280	325	517	-130 - +253
99 "	315	287	328	520	-137 - +246
100 "	322	294	331	524	-144 - +239
101 "	329	301	335	527	-151 - +232
102 "	336	307	338	530	-157 - +226
103 "	342	314	341	533	-164 - +219
104 "	349	321	344	537	-171 - +212
105 "	356	328	348	540	-178 - +205
106 "	363	335	351	543	-185 - +198
107 "	370	341	354	546	-191 - +192
108 "	376	348	357	549	-198 - +185
109 "	383	355	360	553	-205 - +178
110 "	390	362	364	556	-212 - +171
111 "	397	369	367	559	-219 - +164
112 "	404	376	370	562	-226 - +157
113 "	411	382	373	565	-232 - +151
114 "	417	389	376	569	-239 - +144
115 "	424	396	380	572	-246 - +137
116 "	431	403	383	575	-253 - +130
117 "	438	410	386	578	-260 - +123
118 "	445	416	389	582	-266 - +117
119 "	451	423	393	585	-273 - +110
120 "	458	430	396	588	-280 - +103
121 "	465	437	399	591	-287 - +96
122 "	472	444	402	594	-294 - +89
123 "	479	451	405	598	-301 - +82

S	a	b	c	d	x
124 "	486	457	409	601	-307 - +76
125 "	492	464	412	604	-314 - +69
126 "	499	471	415	607	-321 - +62
127 "	506	478	418	611	-328 - +55
128 "	513	485	422	614	-335 - +48
129 "	520	491	425	617	-341 - +42
130 "	526	498	428	620	-348 - +35
131 "	533	505	431	623	-355 - +28
132 "	540	512	434	627	-362 - +21
133 "	547	519	438	630	-369 - +14
134 "	554	526	441	633	-376 - +7
135 "	561	532	444	636	-382 - +1

16:6 projected image

[Unit: mm]

S	a	b	c	d	x
69 "	108	166	384	576	-5 - +367
70 "	114	173	390	582	-12 - +360
71 "	121	180	395	587	-19 - +353
72 "	128	187	400	593	-26 - +346
73 "	135	194	406	598	-33 - +339
74 "	141	200	411	603	-39 - +333
75 "	148	207	417	609	-46 - +326
76 "	155	214	422	614	-53 - +319
77 "	162	221	428	620	-60 - +312
78 "	169	227	433	625	-66 - +306
79 "	175	234	438	631	-73 - +299
80 "	182	241	444	636	-80 - +292
81 "	189	248	449	641	-87 - +285
82 "	196	255	455	647	-94 - +278
83 "	202	261	460	652	-100 - +272
84 "	209	268	466	658	-107 - +265
85 "	216	275	471	663	-114 - +258
86 "	223	282	476	669	-121 - +251
87 "	230	288	482	674	-127 - +245
88 "	236	295	487	679	-134 - +238
89 "	243	302	493	685	-141 - +231
90 "	250	222	498	690	-72 - +311
91 "	257	229	504	696	-79 - +304
92 "	263	235	509	701	-85 - +298
93 "	270	242	514	707	-92 - +291
94 "	277	249	520	712	-99 - +284
95 "	284	256	525	717	-106 - +277
96 "	291	262	531	723	-112 - +271

S	a	b	c	d	x
97 "	297	269	536	728	-119 - +264
98 "	304	276	542	734	-126 - +257
99 "	311	283	547	739	-133 - +250
100 "	318	289	552	745	-140 - +244
101 "	324	296	558	750	-146 - +237
102 "	331	303	563	755	-153 - +230
103 "	338	310	569	761	-160 - +223
104 "	345	317	574	766	-167 - +216
105 "	352	323	580	772	-173 - +210
106 "	358	330	585	777	-180 - +203
107 "	365	337	590	783	-187 - +196
108 "	372	344	596	788	-194 - +189
109 "	379	350	601	793	-201 - +183
110 "	385	357	607	799	-207 - +176
111 "	392	364	612	804	-214 - +169
112 "	399	371	618	810	-221 - +162
113 "	406	378	623	815	-228 - +155
114 "	412	384	628	821	-234 - +149
115 "	419	391	634	826	-241 - +142
116 "	426	398	639	831	-248 - +135
117 "	433	405	645	837	-255 - +128
118 "	440	411	650	842	-262 - +122
119 "	446	418	656	848	-268 - +115
120 "	453	425	661	853	-275 - +108
121 "	460	432	666	859	-282 - +101
122 "	467	439	672	864	-289 - +94
123 "	473	445	677	869	-295 - +88
124 "	480	452	683	875	-302 - +81

S	a	b	c	d	x
125 "	487	459	688	880	-309 - +74
126 "	494	466	693	886	-316 - +67
127 "	501	472	699	891	-323 - +61
128 "	507	479	704	897	-329 - +54
129 "	514	486	710	902	-336 - +47
130 "	521	493	715	907	-343 - +40
131 "	528	500	721	913	-350 - +33
132 "	534	506	726	918	-356 - +27
133 "	541	513	731	924	-363 - +20
134 "	548	520	737	929	-370 - +13
135 "	555	527	742	935	-377 - +6

21:9 projected image

[Unit: mm]

S	a	b	c	d	x
70 "	106	165	339	531	-3 - +369
71 "	112	171	344	536	-10 - +362
72 "	119	178	348	540	-17 - +355
73 "	126	184	353	545	-23 - +349
74 "	132	191	358	550	-30 - +342
75 "	139	198	362	555	-37 - +335
76 "	146	204	367	559	-43 - +329
77 "	152	211	372	564	-50 - +322
78 "	159	218	376	569	-57 - +315
79 "	166	224	381	573	-63 - +309
80 "	172	231	386	578	-70 - +302
81 "	179	238	391	583	-77 - +295
82 "	185	244	395	587	-83 - +289
83 "	192	251	400	592	-90 - +282
84 "	199	258	405	597	-97 - +275
85 "	205	264	409	602	-103 - +269
86 "	212	271	414	606	-110 - +262
87 "	219	278	419	611	-117 - +255
88 "	225	284	423	616	-123 - +249
89 "	232	291	428	620	-130 - +242
90 "	239	211	433	625	-61 - +323
91 "	245	217	438	630	-67 - +316
92 "	252	224	442	634	-74 - +309
93 "	259	230	447	639	-80 - +303
94 "	265	237	452	644	-87 - +296
95 "	272	244	456	649	-94 - +289
96 "	279	250	461	653	-100 - +283
97 "	285	257	466	658	-107 - +276

S	a	b	c	d	x
98 "	292	264	470	663	-114 - +269
99 "	299	270	475	667	-120 - +263
100 "	305	277	480	672	-127 - +256
101 "	312	284	485	677	-134 - +249
102 "	319	290	489	681	-140 - +243
103 "	325	297	494	686	-147 - +236
104 "	332	304	499	691	-154 - +229
105 "	338	310	503	696	-160 - +223
106 "	345	317	508	700	-167 - +216
107 "	352	324	513	705	-174 - +209
108 "	358	330	518	710	-180 - +203
109 "	365	337	522	714	-187 - +196
110 "	372	344	527	719	-194 - +189
111 "	378	350	532	724	-200 - +183
112 "	385	357	536	729	-207 - +176
113 "	392	364	541	733	-214 - +170
114 "	398	370	546	738	-220 - +163
115 "	405	377	550	743	-227 - +156
116 "	412	383	555	747	-233 - +150
117 "	418	390	560	752	-240 - +143
118 "	425	397	565	757	-247 - +136
119 "	432	403	569	761	-253 - +130
120 "	438	410	574	766	-260 - +123
121 "	445	417	579	771	-267 - +116
122 "	452	423	583	776	-273 - +110
123 "	458	430	588	780	-280 - +103
124 "	465	437	593	785	-287 - +96
125 "	471	443	597	790	-293 - +90

S	a	b	c	d	x
126 "	478	450	602	794	-300 - +83
127 "	485	457	607	799	-307 - +76
128 "	491	463	612	804	-313 - +70
129 "	498	470	616	808	-320 - +63
130 "	505	477	621	813	-327 - +56
131 "	511	483	626	818	-333 - +50
132 "	518	490	630	823	-340 - +43
133 "	525	497	635	827	-347 - +37
134 "	531	503	640	832	-353 - +30
135 "	538	510	644	837	-360 - +23
136 "	545	516	649	841	-366 - +17
137 "	551	523	654	846	-373 - +10
138 "	558	530	659	851	-380 - +3

■ EB-760W

16:10 projected image

[Unit: mm]

S	a	b	c	d	x
71 "	105	164	209	401	-2 - +370
72 "	111	170	212	404	-9 - +363
73 "	118	177	214	407	-16 - +356
74 "	124	183	217	409	-22 - +350
75 "	131	190	220	412	-29 - +343
76 "	137	196	223	415	-35 - +337
77 "	144	203	226	418	-42 - +330
78 "	150	209	228	421	-48 - +324
79 "	157	216	231	423	-55 - +317
80 "	163	222	234	426	-61 - +311
81 "	170	229	237	429	-68 - +304
82 "	177	235	240	432	-74 - +298
83 "	183	242	242	435	-81 - +291
84 "	190	248	245	437	-87 - +285
85 "	196	255	248	440	-94 - +278
86 "	203	262	251	443	-101 - +271
87 "	209	268	254	446	-107 - +265
88 "	216	275	256	449	-114 - +258
89 "	222	281	259	451	-120 - +252
90 "	229	201	262	454	-51 - +332
91 "	235	207	265	457	-57 - +326
92 "	242	214	268	460	-64 - +319
93 "	248	220	271	463	-70 - +313
94 "	255	227	273	466	-77 - +306
95 "	262	233	276	468	-83 - +300
96 "	268	240	279	471	-90 - +293
97 "	275	246	282	474	-96 - +287
98 "	281	253	285	477	-103 - +280

S	a	b	c	d	x
99 "	288	259	287	480	-110 - +274
100 "	294	266	290	482	-116 - +267
101 "	301	273	293	485	-123 - +260
102 "	307	279	296	488	-129 - +254
103 "	314	286	299	491	-136 - +247
104 "	320	292	301	494	-142 - +241
105 "	327	299	304	496	-149 - +234
106 "	333	305	307	499	-155 - +228
107 "	340	312	310	502	-162 - +221
108 "	346	318	313	505	-168 - +215
109 "	353	325	315	508	-175 - +208
110 "	360	331	318	510	-181 - +202
111 "	366	338	321	513	-188 - +195
112 "	373	344	324	516	-194 - +189
113 "	379	351	327	519	-201 - +182
114 "	386	358	329	522	-208 - +176
115 "	392	364	332	524	-214 - +169
116 "	399	371	335	527	-221 - +162
117 "	405	377	338	530	-227 - +156
118 "	412	384	341	533	-234 - +149
119 "	418	390	343	536	-240 - +143
120 "	425	397	346	538	-247 - +136
121 "	431	403	349	541	-253 - +130
122 "	438	410	352	544	-260 - +123
123 "	444	416	355	547	-266 - +117
124 "	451	423	357	550	-273 - +110
125 "	458	429	360	552	-279 - +104
126 "	464	436	363	555	-286 - +97

S	a	b	c	d	x
127 "	471	442	366	558	-292 - +91
128 "	477	449	369	561	-299 - +84
129 "	484	456	371	564	-306 - +77
130 "	490	462	374	566	-312 - +71
131 "	497	469	377	569	-319 - +64
132 "	503	475	380	572	-325 - +58
133 "	510	482	383	575	-332 - +51
134 "	516	488	386	578	-338 - +45
135 "	523	495	388	581	-345 - +38
136 "	529	501	391	583	-351 - +32
137 "	536	508	394	586	-358 - +25
138 "	543	514	397	589	-364 - +19
139 "	549	521	400	592	-371 - +12
140 "	556	527	402	595	-377 - +6

4:3 projected image

[Unit: mm]

S	a	b	c	d	x
63 "	107	166	210	402	-5 - +367
64 "	114	173	213	405	-12 - +360
65 "	122	180	216	408	-19 - +353
66 "	129	188	219	411	-27 - +345
67 "	136	195	222	415	-34 - +338
68 "	144	203	226	418	-42 - +330
69 "	151	210	229	421	-49 - +323
70 "	159	217	232	424	-56 - +316
71 "	166	225	235	427	-64 - +308
72 "	173	232	238	430	-71 - +301
73 "	181	240	241	434	-79 - +293
74 "	188	247	245	437	-86 - +286
75 "	196	254	248	440	-93 - +279
76 "	203	262	251	443	-101 - +271
77 "	210	269	254	446	-108 - +264
78 "	218	277	257	450	-116 - +256
79 "	225	284	261	453	-123 - +249
80 "	233	291	264	456	-130 - +242
81 "	240	299	267	459	-138 - +234
82 "	247	306	270	462	-145 - +227
83 "	255	314	273	465	-153 - +219
84 "	262	321	276	469	-160 - +212
85 "	270	328	280	472	-167 - +205
86 "	277	336	283	475	-175 - +197
87 "	284	343	286	478	-182 - +190
88 "	292	351	289	481	-190 - +182
89 "	299	358	292	484	-197 - +175
90 "	307	278	295	488	-128 - +255

S	a	b	c	d	x
91 "	314	286	299	491	-136 - +247
92 "	321	293	302	494	-143 - +240
93 "	329	301	305	497	-151 - +232
94 "	336	308	308	500	-158 - +225
95 "	344	315	311	504	-165 - +218
96 "	351	323	314	507	-173 - +210
97 "	358	330	318	510	-180 - +203
98 "	366	338	321	513	-188 - +195
99 "	373	345	324	516	-195 - +188
100 "	380	352	327	519	-202 - +181
101 "	388	360	330	523	-210 - +173
102 "	395	367	334	526	-217 - +166
103 "	403	375	337	529	-225 - +159
104 "	410	382	340	532	-232 - +151
105 "	417	389	343	535	-239 - +144
106 "	425	397	346	538	-247 - +136
107 "	432	404	349	542	-254 - +129
108 "	440	412	353	545	-262 - +122
109 "	447	419	356	548	-269 - +114
110 "	454	426	359	551	-276 - +107
111 "	462	434	362	554	-284 - +99
112 "	469	441	365	558	-291 - +92
113 "	477	449	368	561	-299 - +85
114 "	484	456	372	564	-306 - +77
115 "	491	463	375	567	-313 - +70
116 "	499	471	378	570	-321 - +62
117 "	506	478	381	573	-328 - +55
118 "	514	486	384	577	-336 - +48
119 "	521	493	388	580	-343 - +40
120 "	528	500	391	583	-350 - +33
121 "	536	508	394	586	-358 - +25
122 "	543	515	397	589	-365 - +18
123 "	551	523	400	592	-373 - +11
124 "	558	530	403	596	-380 - +3

16:9 projected image

[Unit: mm]

S	a	b	c	d	x
69 "	104	163	256	449	-2 - +370
70 "	111	170	260	452	-9 - +363
71 "	118	176	263	456	-15 - +357
72 "	124	183	267	459	-22 - +350
73 "	131	190	271	463	-29 - +343
74 "	138	197	274	466	-36 - +336
75 "	144	203	278	470	-42 - +330
76 "	151	210	281	474	-49 - +323
77 "	158	217	285	477	-56 - +316
78 "	165	223	288	481	-62 - +310
79 "	171	230	292	484	-69 - +303
80 "	178	237	296	488	-76 - +296
81 "	185	244	299	491	-83 - +289
82 "	191	250	303	495	-89 - +283
83 "	198	257	306	499	-96 - +276
84 "	205	264	310	502	-103 - +269
85 "	212	270	314	506	-109 - +263
86 "	218	277	317	509	-116 - +256
87 "	225	284	321	513	-123 - +249
88 "	232	291	324	516	-130 - +242
89 "	238	297	328	520	-136 - +236
90 "	245	217	331	524	-67 - +316
91 "	252	224	335	527	-74 - +309
92 "	259	230	339	531	-81 - +303
93 "	265	237	342	534	-87 - +296
94 "	272	244	346	538	-94 - +289
95 "	279	251	349	541	-101 - +282
96 "	285	257	353	545	-107 - +276

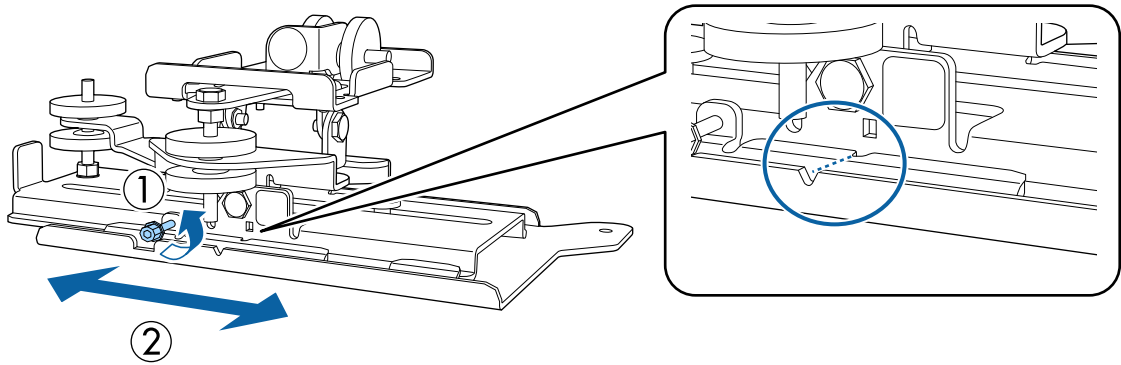
S	a	b	c	d	x
97 "	292	264	356	549	-114 - +269
98 "	299	271	360	552	-121 - +262
99 "	306	277	364	556	-128 - +256
100 "	312	284	367	559	-134 - +249
101 "	319	291	371	563	-141 - +242
102 "	326	298	374	566	-148 - +235
103 "	332	304	378	570	-154 - +229
104 "	339	311	381	574	-161 - +222
105 "	346	318	385	577	-168 - +215
106 "	353	325	389	581	-175 - +208
107 "	359	331	392	584	-181 - +202
108 "	366	338	396	588	-188 - +195
109 "	373	345	399	591	-195 - +188
110 "	380	351	403	595	-201 - +182
111 "	386	358	406	599	-208 - +175
112 "	393	365	410	602	-215 - +168
113 "	400	372	414	606	-222 - +161
114 "	406	378	417	609	-228 - +155
115 "	413	385	421	613	-235 - +148
116 "	420	392	424	617	-242 - +141
117 "	427	398	428	620	-248 - +135
118 "	433	405	431	624	-255 - +128
119 "	440	412	435	627	-262 - +121
120 "	447	419	439	631	-269 - +114
121 "	453	425	442	634	-275 - +108
122 "	460	432	446	638	-282 - +101
123 "	467	439	449	642	-289 - +94
124 "	474	445	453	645	-295 - +88

S	a	b	c	d	x
125 "	480	452	456	649	-302 - +81
126 "	487	459	460	652	-309 - +74
127 "	494	466	464	656	-316 - +67
128 "	500	472	467	659	-322 - +61
129 "	507	479	471	663	-329 - +54
130 "	514	486	474	667	-336 - +47
131 "	521	492	478	670	-342 - +41
132 "	527	499	482	674	-349 - +34
133 "	534	506	485	677	-356 - +27
134 "	541	513	489	681	-363 - +20
135 "	547	519	492	684	-369 - +14
136 "	554	526	496	688	-376 - +7
137 "	561	533	499	692	-383 - +0

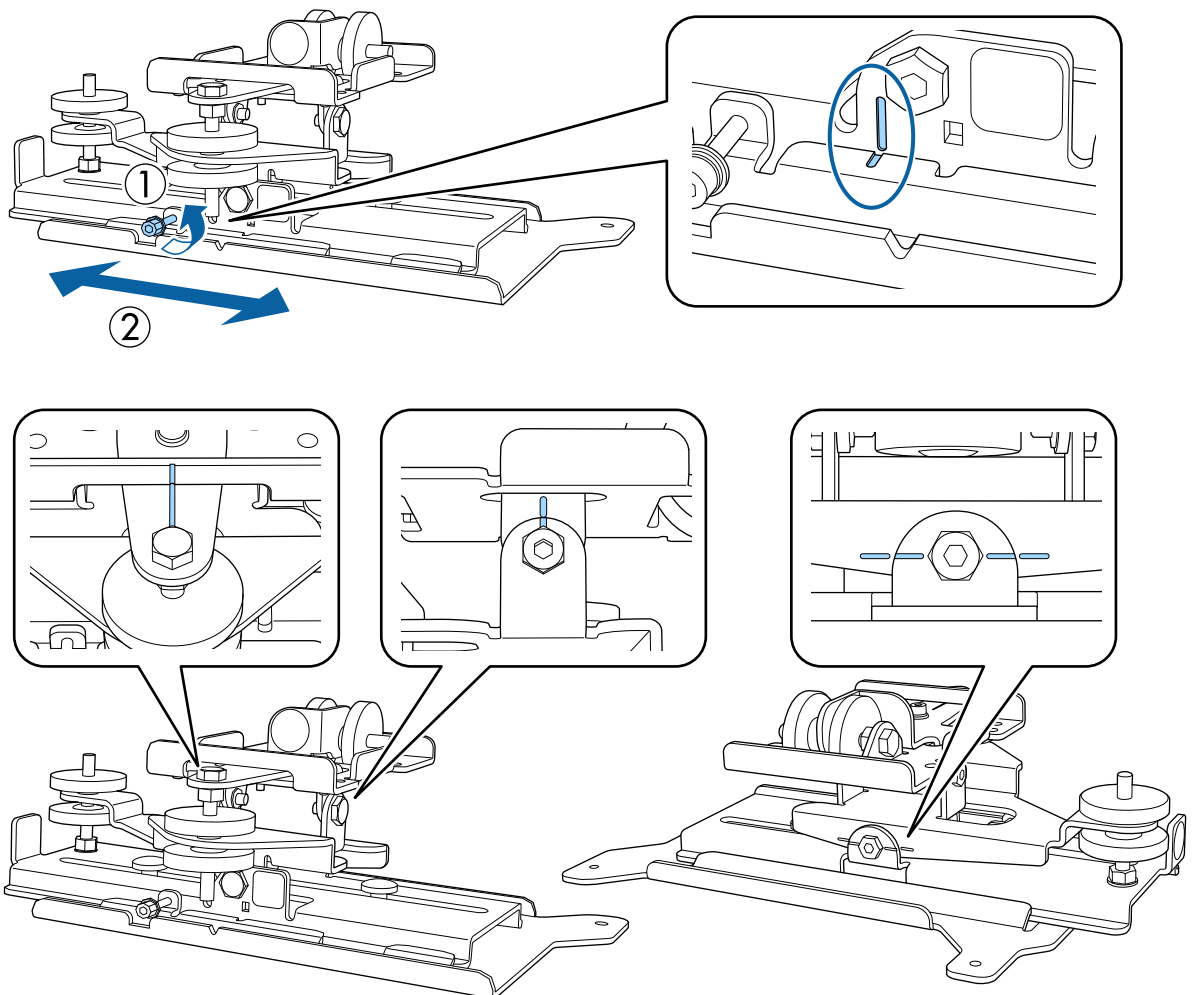
■ Attaching the adjustment unit to the projector

- 1** Loosen the M4 bolt on the adjustment unit, and then align the marks for each part
When the position is correct, tighten the M4 bolt.

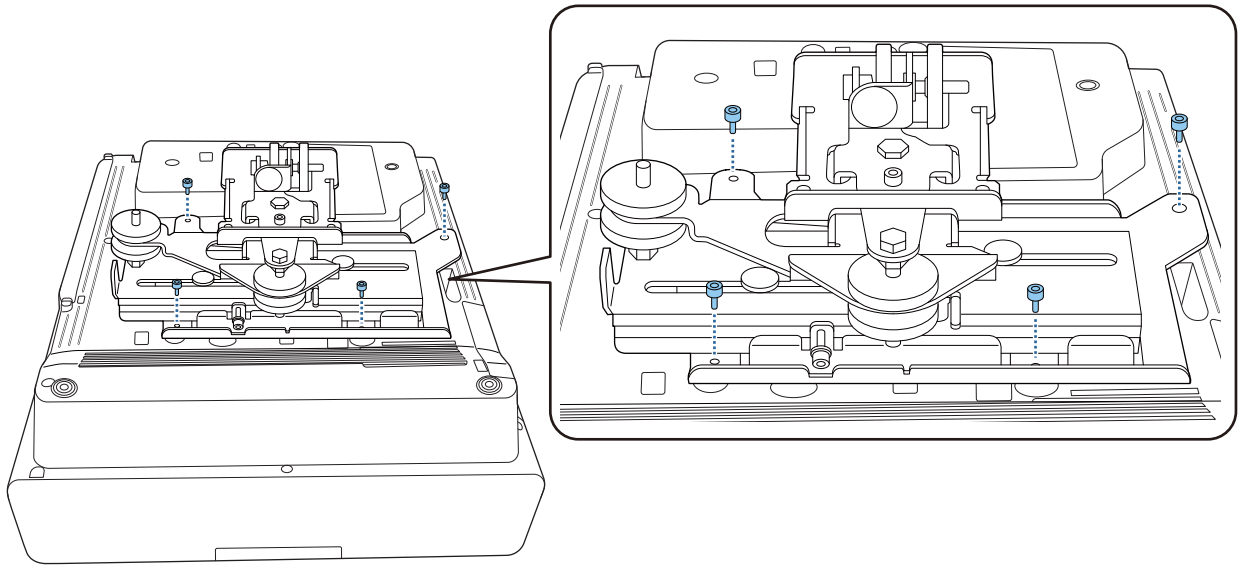
- Models without markings on the adjustment unit



- Models with markings on the adjustment unit
Adjust so that the center of the markings are aligned.

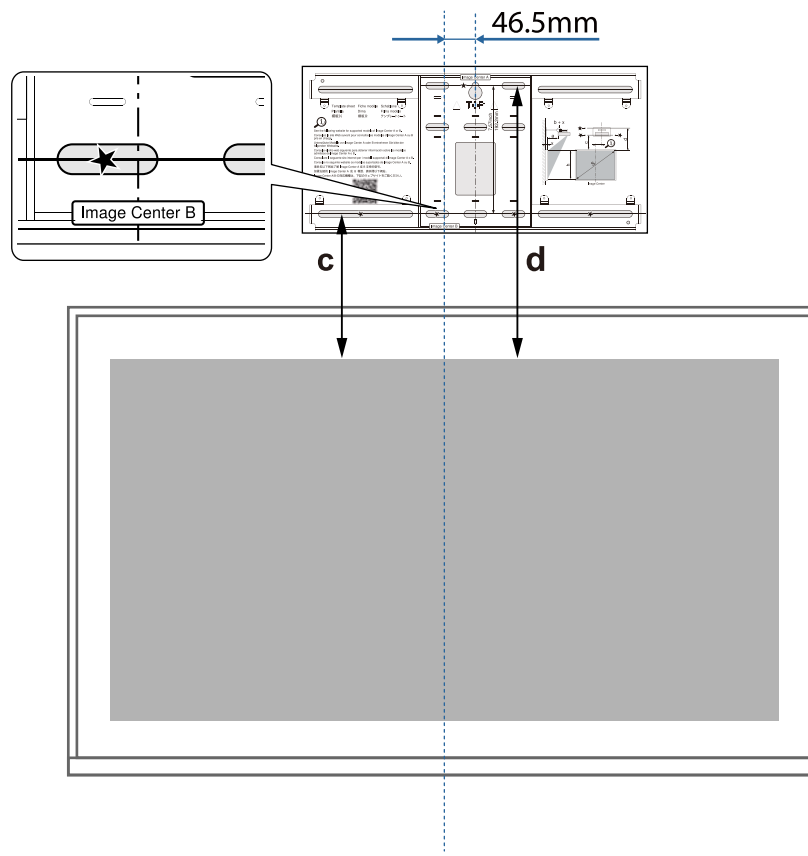


- Secure the adjustment unit to the base of the projector with the M4 x 12 mm bolts (x4) supplied



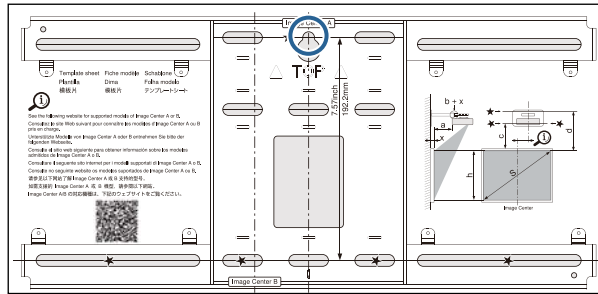
Install the wall plate on the wall

- Attach the template sheet to the wall
Attach the template sheet according to the installation position that you confirmed using the projection distance table (p.24).
Align the center position of the screen being projected with Image Center B on the Template sheet.



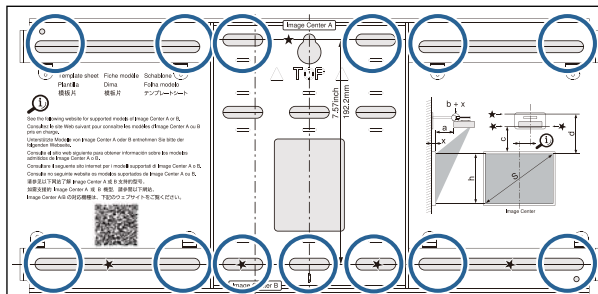
2 Drive a commercially available M10 screw into the position of the temporary screw hole for the wall plate

Leave a gap of 6 mm or more between the wall and the screw head.



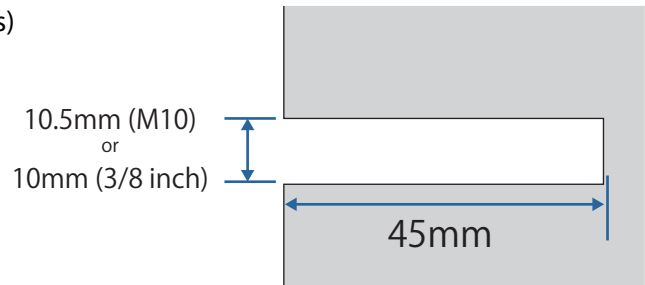
3 Determine the positions for the mounting holes for the wall plate

From the screw holes shown in the figure below, secure at least four points at the top, bottom, left, and right for optimum balance.

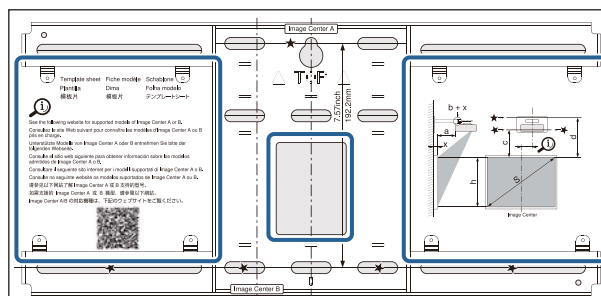


4 Drill the holes in the wall

- Drill diameter: 10.5 mm (M10) or 10 mm (3/8 inches)
- Pilot hole depth: 45 mm
- Anchor hole depth: 40 mm



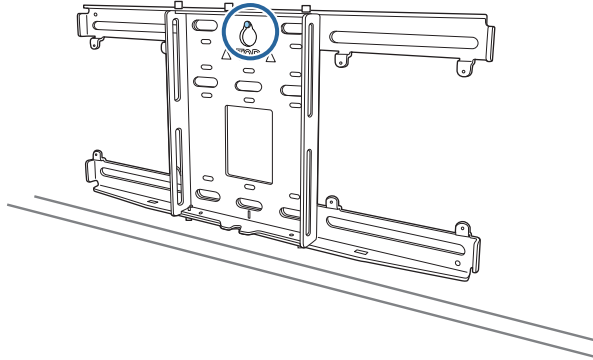
When routing cables to the projector through a wall, you can drill holes within the area shown in the figure below and use them as cable routing holes.



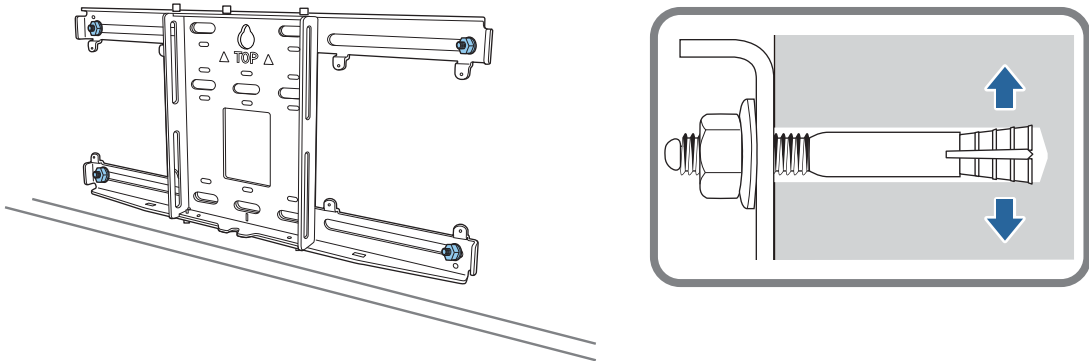
When installing a mini-PC or a stick PC, check the position at which the mini PC plate will be installed before drilling cable routing holes. (p.60)

5 Remove the template sheet

6 Place the wall plate on the temporary M10 screw that you installed in step 2

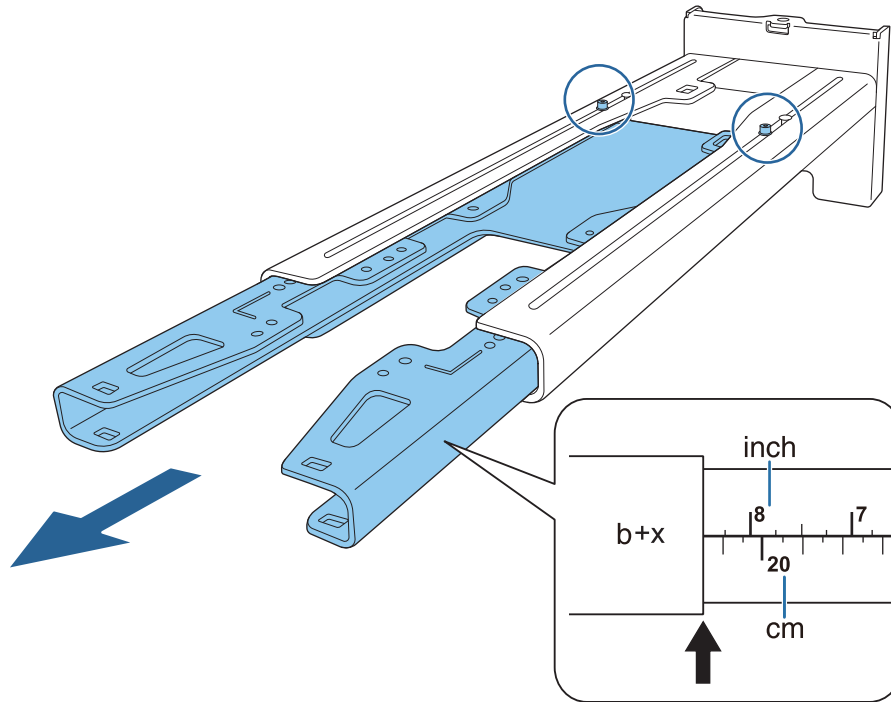


7 Use commercially available M10 or 3/8 inch x 60 mm anchor bolts to secure the wall plate to the holes you drilled in step 4

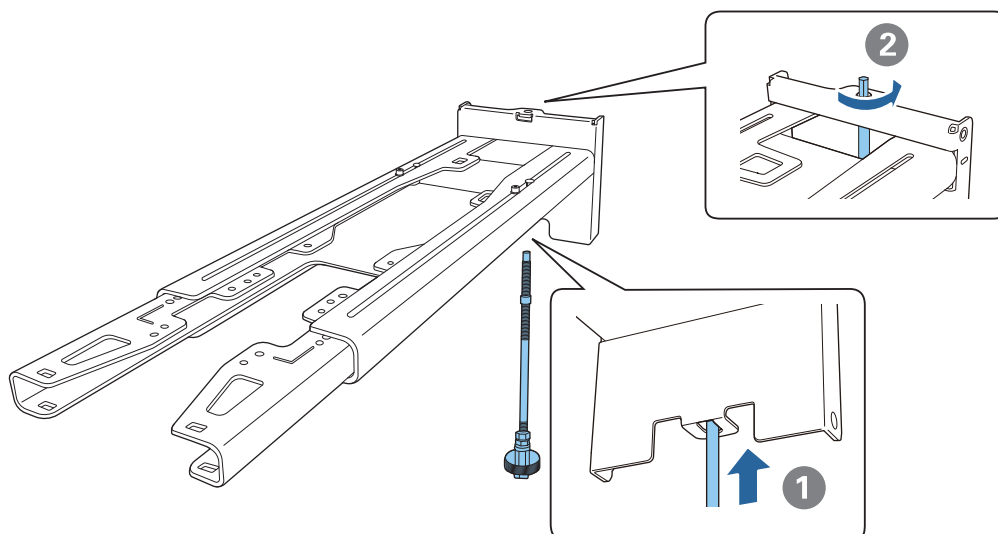


■ Attaching the setting plate to the wall plate

- 1** Loosen the M4 x 12 mm bolts (x2) and extend the arm slide on the setting plate
- Adjust the scale on the slider to the combined distance of the value for (b) confirmed in the projection distance table (p.24) and the thickness from the wall plate installation surface to the projection surface (x).

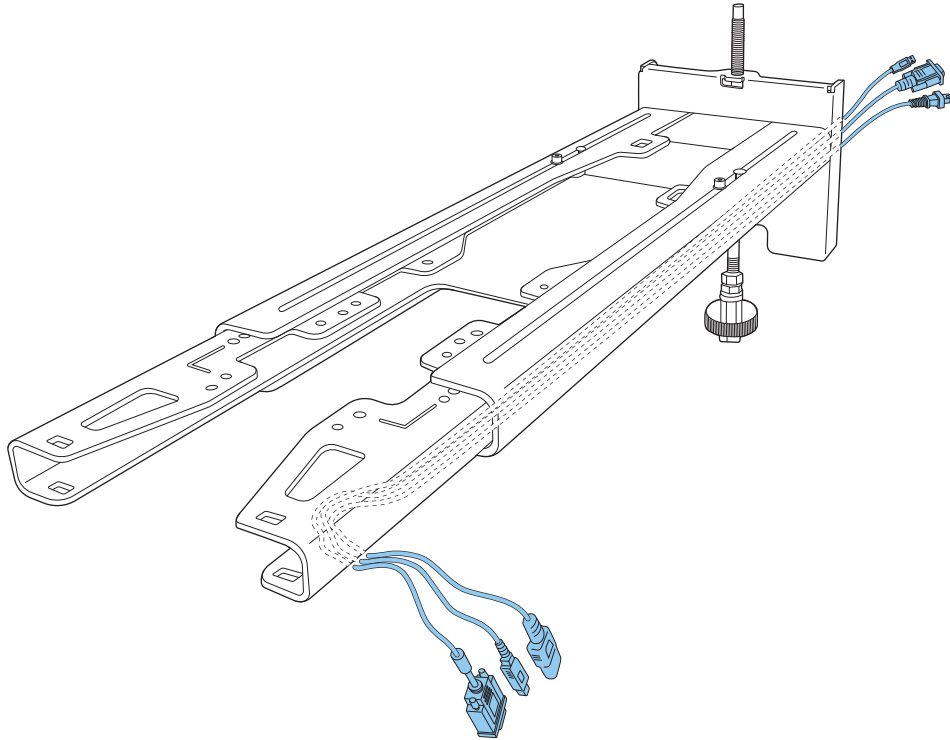



- 2** Insert the hexagonal axis into the setting plate
- If there is a white mark* on the hexagonal axis, align the mark with the top edge of the setting plate.
- *Although the mark may wear off over time, this does not indicate a defect in the hardware.



3

Route the necessary cables through the setting plate



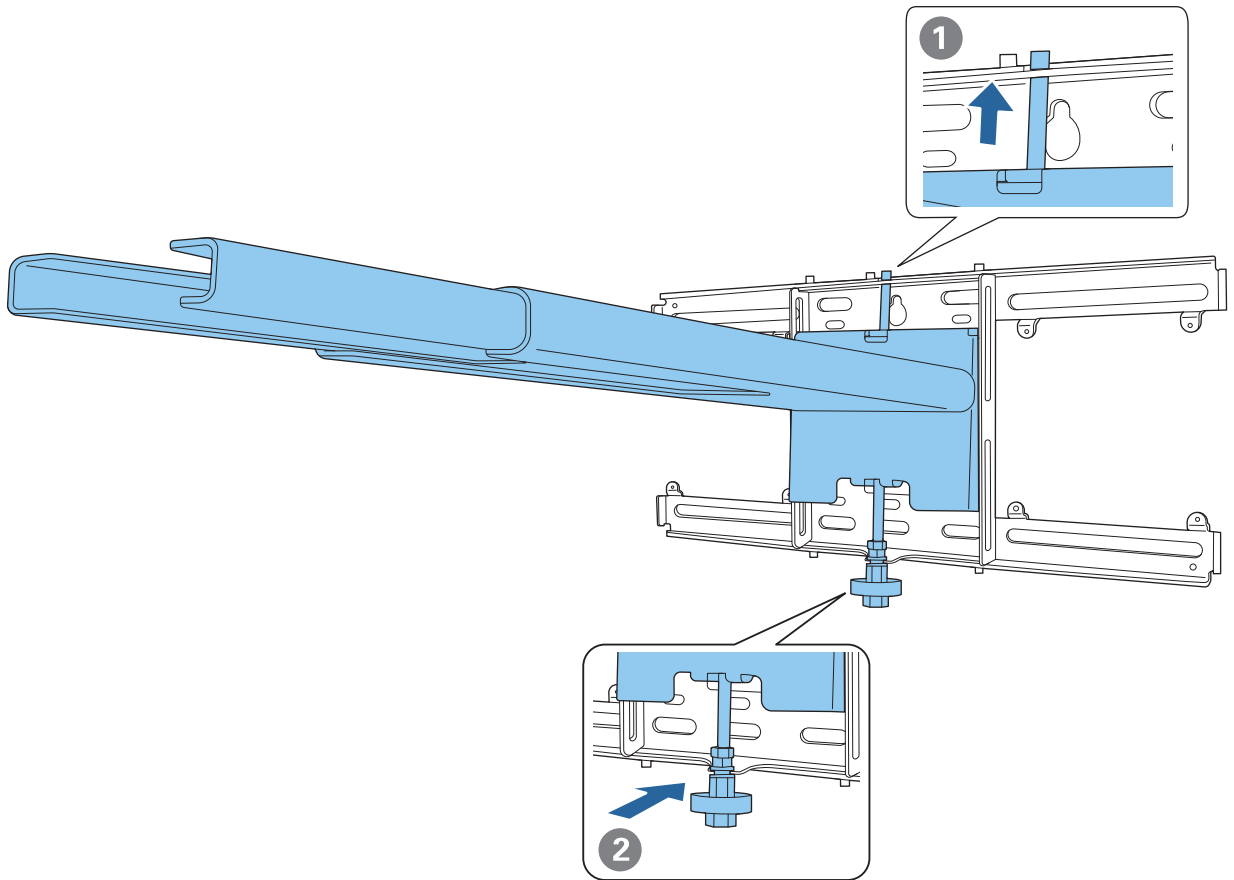
 Warning

Do not hang the rest of the cable over the setting plate. They could fall and cause an accident.



Make sure that cable ports for connecting to peripheral devices such as mini PCs are routed so that they come out of the lower part of the setting plate and not through walls.

- 4** Attach the setting plate to the wall plate
Insert the hexagonal axis until the tip extends slightly out of the top of the wall plate and the other end connects to the bottom of the wall plate.



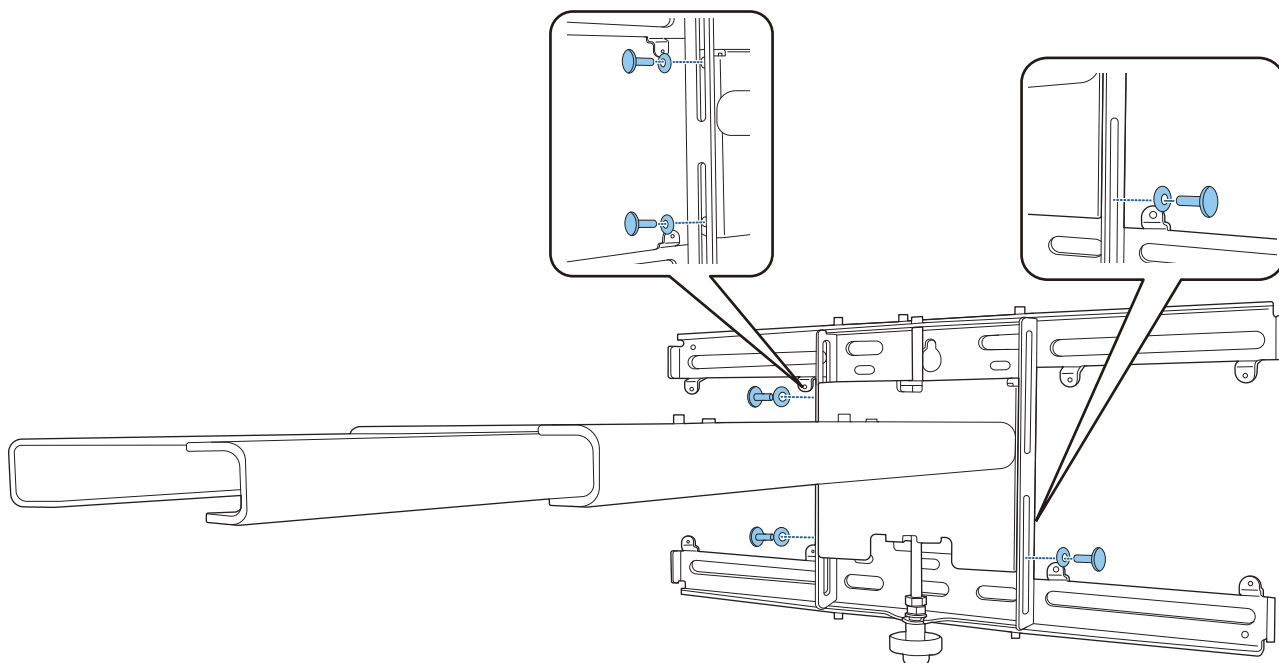
! Caution

Take care not to trap the cables between the setting plate and wall plate.

5

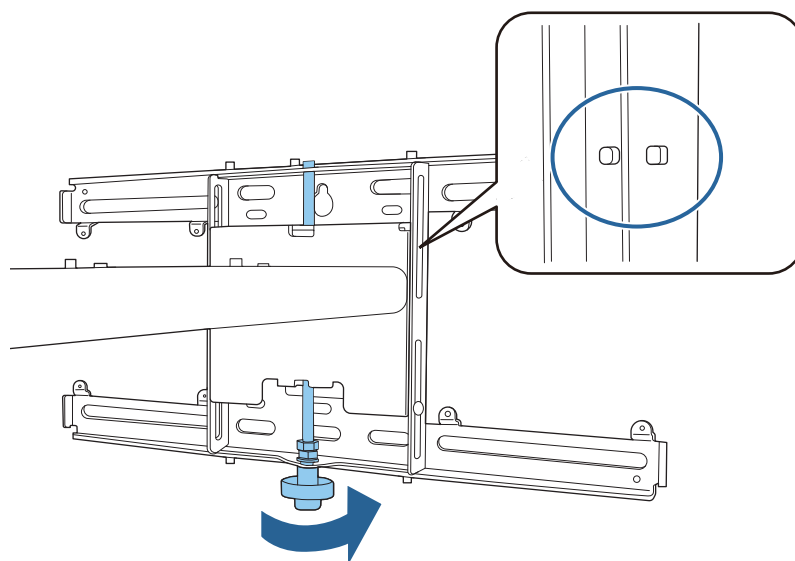
Temporarily secure the setting plate

Secure three points with the M6 screws supplied (x3).



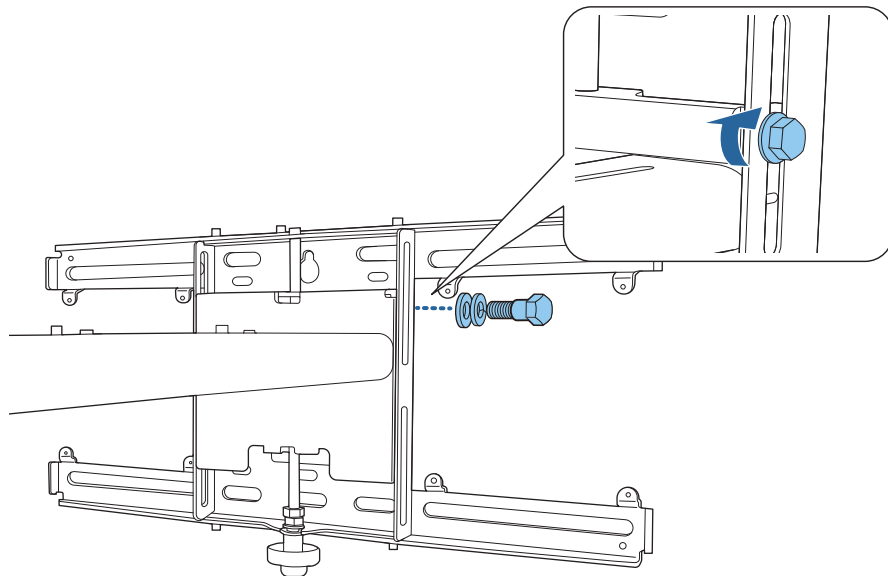
6

Rotate the bottom of the hexagonal axis with a 17 mm ratchet wrench to align the marks on the wall plate and the setting plate



7

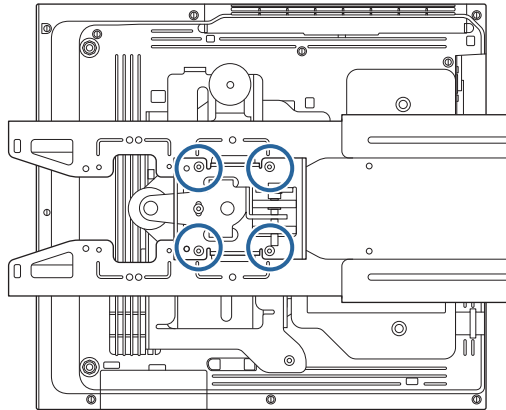
Tighten the M6 bolt (x1) to secure the setting plate in position



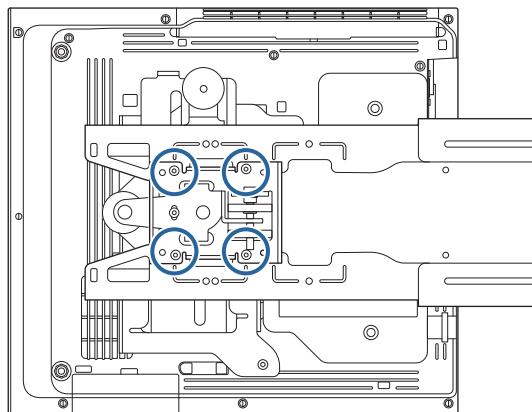
■ Attaching the adjustment unit to the setting plate

1 Check the installation position for the adjustment unit
The installation position is marked on the setting plate. Install at an appropriate position according to the size of the screen you want to project on to.

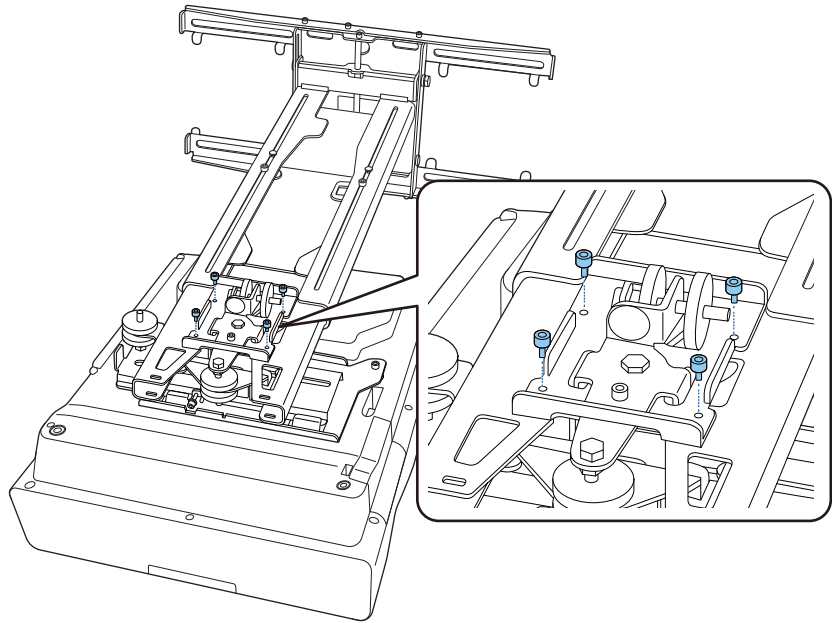
- When a projected image is smaller than 90 inches: Install the unit at the ○ mark.



- When a projected image is 90 inches or more: Install the unit at the ○○ mark.



2 Attach the adjustment unit to the setting plate with the M4 x 12 mm bolts (x4) supplied

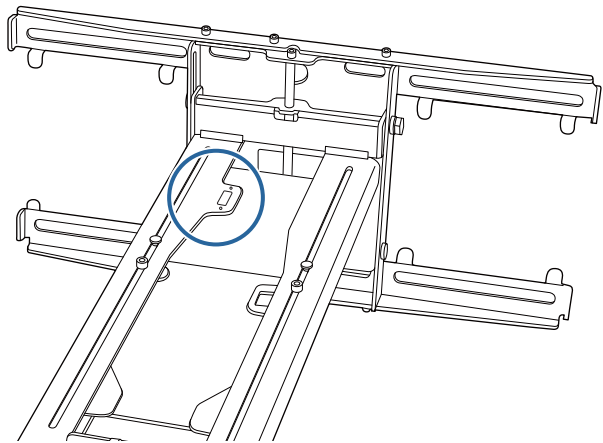


3 Connect the cables to the projector
Connect the power cord last.

■ Attaching peripheral devices

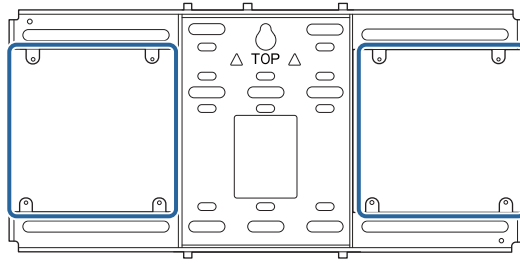
Attaching a switcher or a tuner

Use commercially available M4 screws to secure a switcher or a tuner to the screw holes as shown in the following figure.



Attaching a mini PC or stick PC

Attach the mini PC or stick PC to the mini PC plate, and secure it to the left or right side of the wall plate.



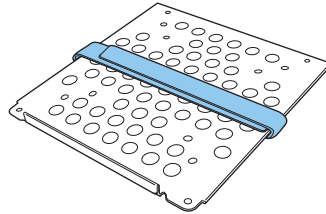
Attach it so that the air exhaust vents of the PC are not blocked.

We recommend installing the PC so that the air exhaust vents are at the top and the air intake vents are at the bottom.

When securing with the mini PC belt

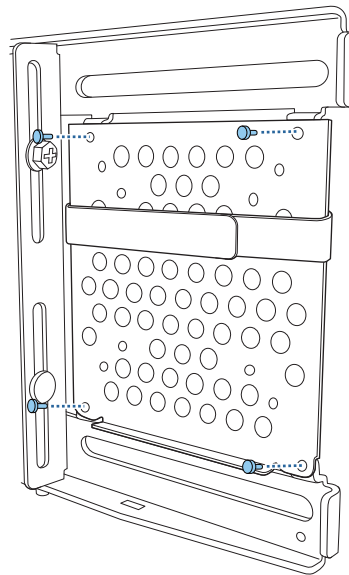
1

Wrap the belt around the mini PC plate



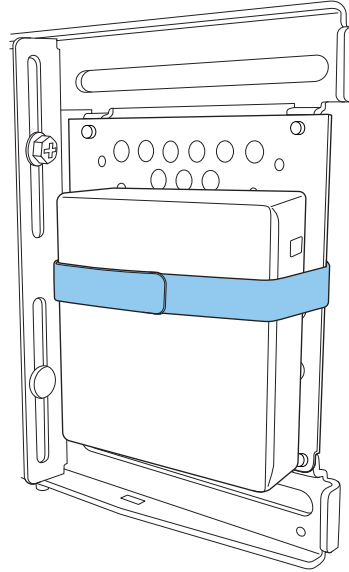
2

Secure the mini PC plate to the wall plate using the M3 x 6 mm screws (x4) supplied.



3

Place the PC on the lower edge of the mini PC plate, and secure it with the belt

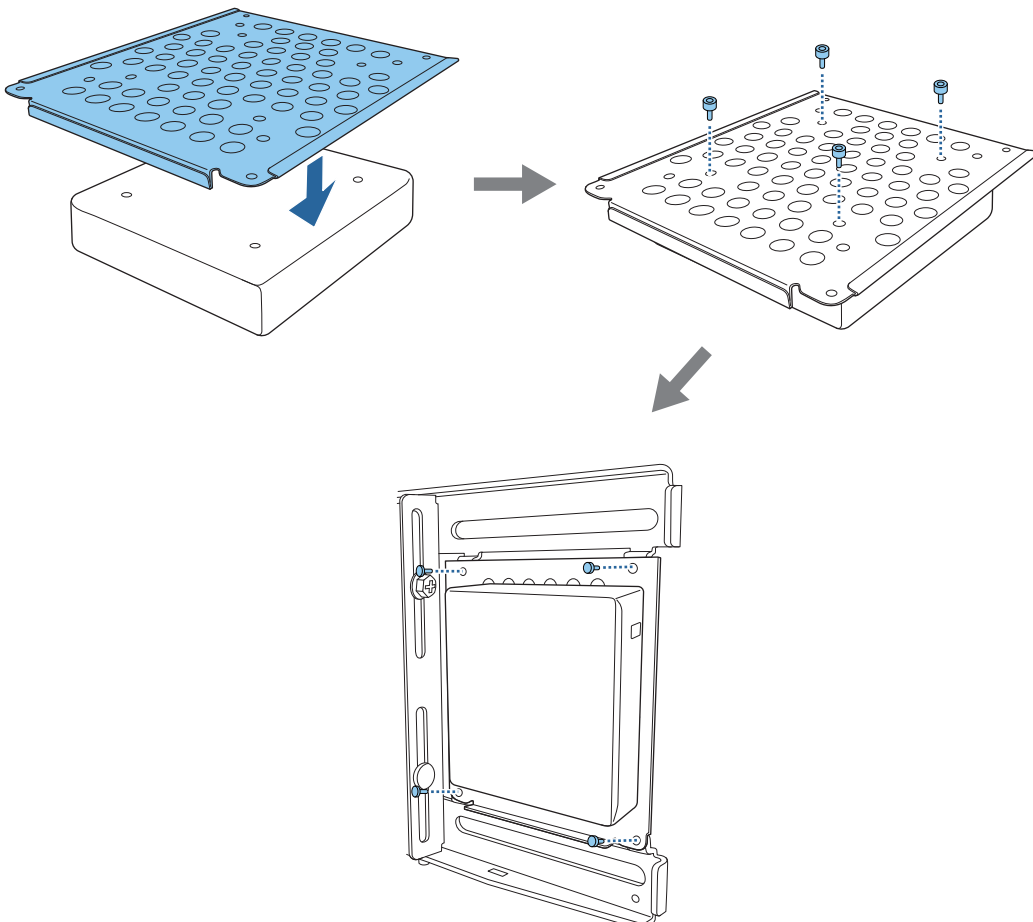


When securing with screws

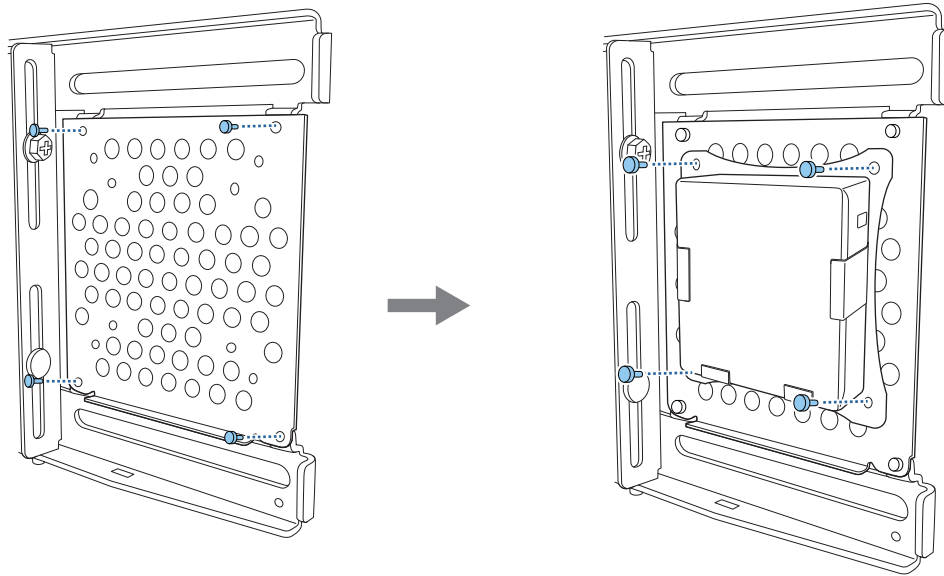
Depending on the shape of the mini PC and the orientation of the screw holes, the order in which parts are installed differs. Be sure to check the installation instructions in advance.

Installation example

- Secure the mini PC plate with the PC installed to the wall plate using the M3 x 6 mm screws (x4) supplied.



- Secure the mini PC plate to the wall plate using the M3 x 6 mm screws (x4) supplied, and then install the PC.



Adjusting the Position of the Projected Image

You can use any of the following methods to adjust the position of the projected image.

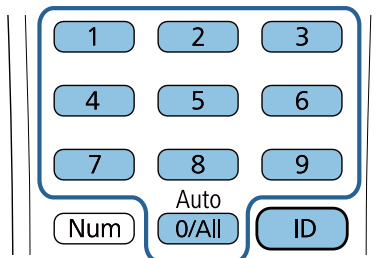


When multiple projectors are installed in the same room, we recommend that you set projector IDs to prevent remote control interference.

Turn on a projector and set the ID number for the projector in **Installation > Projector ID**.

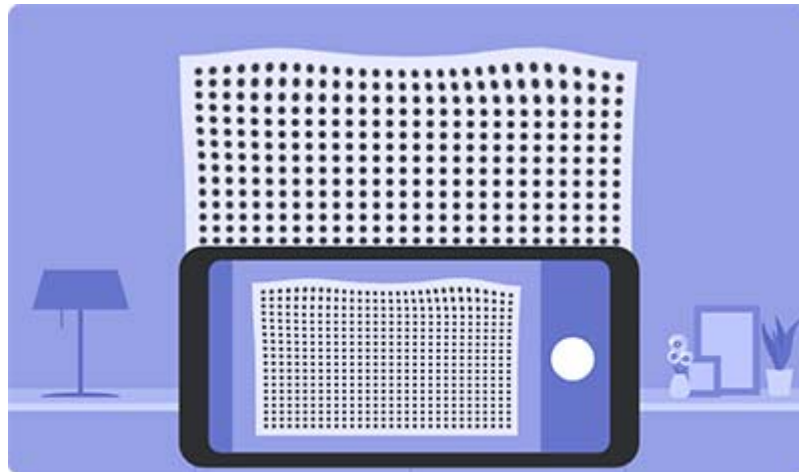
(When using EB-775F/EB-770F, set from **Multi-Projection - Projector ID**.)

When you want to operate a specific projector, hold down the [ID] button on the remote control and press the button with the same number as the projector ID.



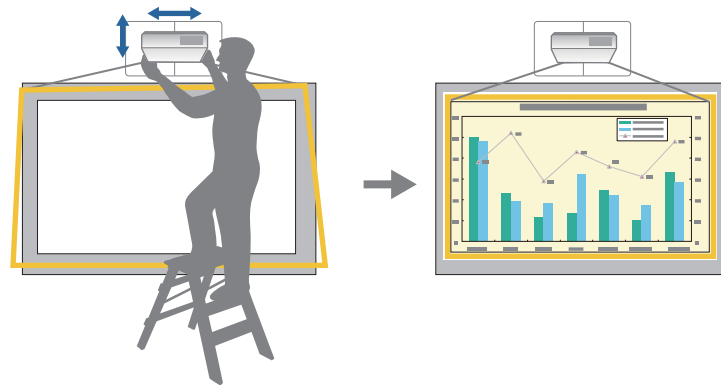
- Adjusting using the Epson Setting Assistant ([p.65](#))

Use the Epson Setting Assistant to adjust the projection position. Install and use the Epson Setting Assistant app. You can download the app by reading the QR code displayed on the projection screen during the initial setup wizard.



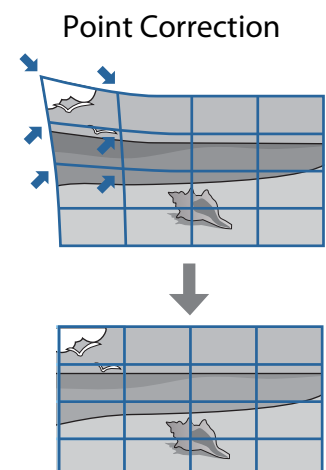
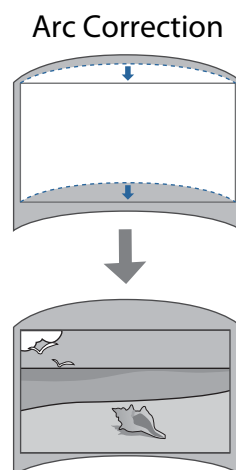
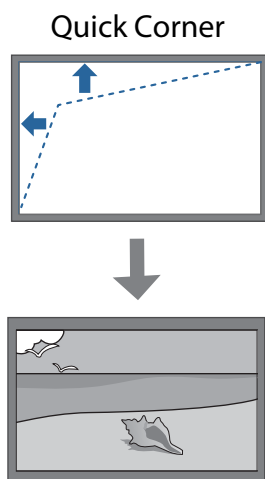
- Adjusting using the Setting Plate Installation Guide ([p.67](#))

Manually adjust the position of the setting plate according to the guide screen displayed. This is useful when you want to perform fine adjustments to the projection position while maintaining the image quality.



- Adjusting using the projector menus ([p.70](#))

Select the area you want to adjust and manually correct the image. This is useful when you want to make fine adjustments to the projection position after making mechanical adjustments using the guide screen.





- Images are not stable immediately after turning on the projector. After starting projection, wait for at least 30 minutes before adjusting the image.
- Install and adjust the projector at a room temperature that is close to the actual intended usage environment. If the temperature changes, the position of the image may shift.
- When setting up multiple projectors using the batch setup function, perform the batch setup before adjusting the projected image.
- We recommend the mechanical position adjustment of the setting plate to adjust the image when you want to maintain image quality.

■ Preparations before adjusting

The initial setup wizard is displayed when you turn on the projector for the first time.

Use the up, down, left, right, and [Enter] buttons to set the **Projection, Language, Date & Time, and Screen Type**. Next, select the method for adjusting the position of the image.

■ Adjusting using the Epson Setting Assistant

Follow the on-screen instructions in the Epson Setting Assistant app to automatically adjust the position of the image.

In the initial setup wizard, select **Adjust automatically using the app** from **Adjust the position of the image.**, and then proceed with the **Geometry Correction Wizard**.

Note the following points when making adjustments.

General notes

- Make sure the projector's firmware is up to date.



For some projector models, a firmware update may be required.

- Do not operate the projector's remote control while using the app, as this may disconnect the app.
- Do not change **Screen Type** or adjust **Screen Position**, as doing so will reset the correction results.
- Do not combine this with correction methods other than Arc Correction.

Notes on the projection surface

- No patterns, dirt, or obstacles on the projection surface.
- When projecting onto a blackboard or whiteboard, make sure that it is clean with no marks or residue.
- Make sure that the installation surface is flat, without warping or distortion, and that any unevenness on the screen surface is less than 5 mm.
- Make sure the surface is not curved, excessively uneven, or rough in texture.
- Make sure there are no reflections from lighting or other sources.
- When projecting onto a projector screen, make sure the frame is not distorted.

Notes on the projection method

- Make sure the projector is not in rear projection mode, which flips the image horizontally when projecting from behind a screen.
- Make sure the projector is not installed vertically in an upright position.

Notes on the projected images

- Make sure you are projecting onto a larger area than the image you want to actually project.

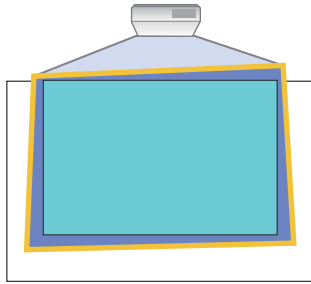


After automatic adjustment, the image becomes slightly smaller.

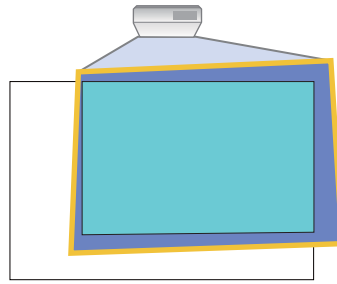
- Project an image larger than the frame you want to fit in to.

When you want to fit the projected image into the frame of a projector screen, blackboard, whiteboard, and so on, make sure the image extends beyond at least one side (top, bottom, left, or right) of the frame.

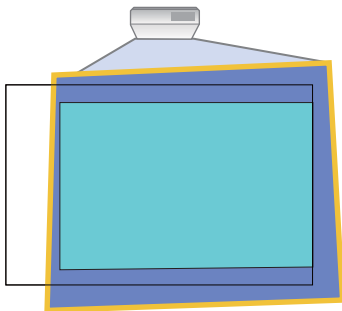
When aligning with one side



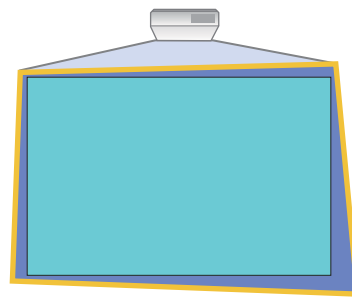
When aligning with two sides



When aligning with three sides

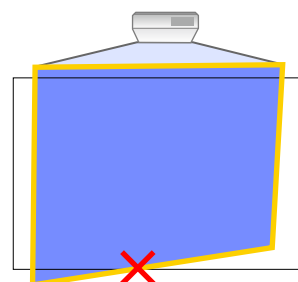
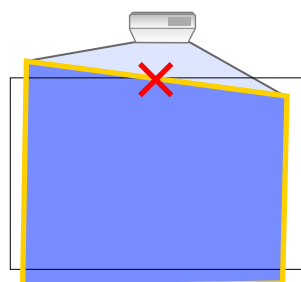
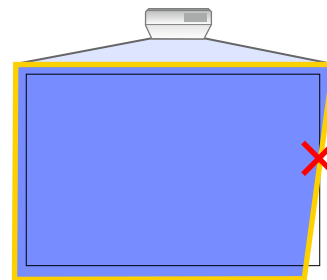
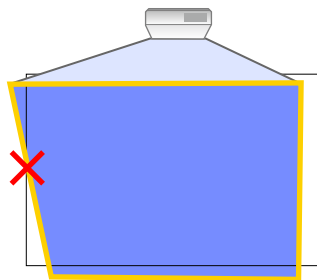


When aligning with four sides



- Make sure the image does not cross the frame during projection.

Make sure the edges of the projected image do not cross the physical frame, such as the top edge of the projected image with the top of the frame of the projector screen, blackboard, or whiteboard, or the left edge of the image with the left edge of the frame.

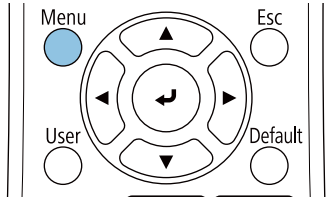


■ Performing mechanical adjustment using the Setting Plate Installation Guide

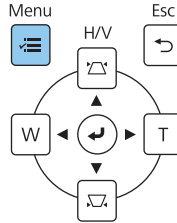
Use the guidance screen to adjust the position of the image.

1 Press the [Menu] button

Using the Remote Control



Using the Control Panel

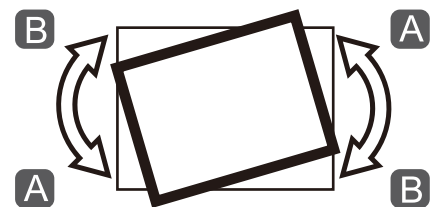
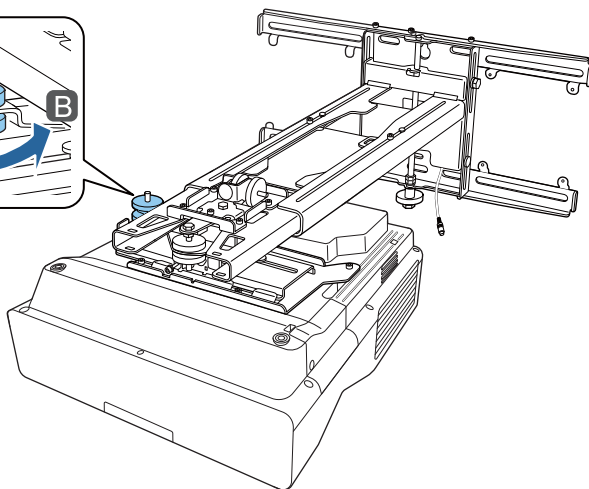
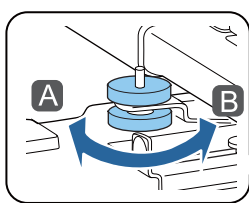


2 Select **Setting Plate Installation Guide** from the **Installation** menu

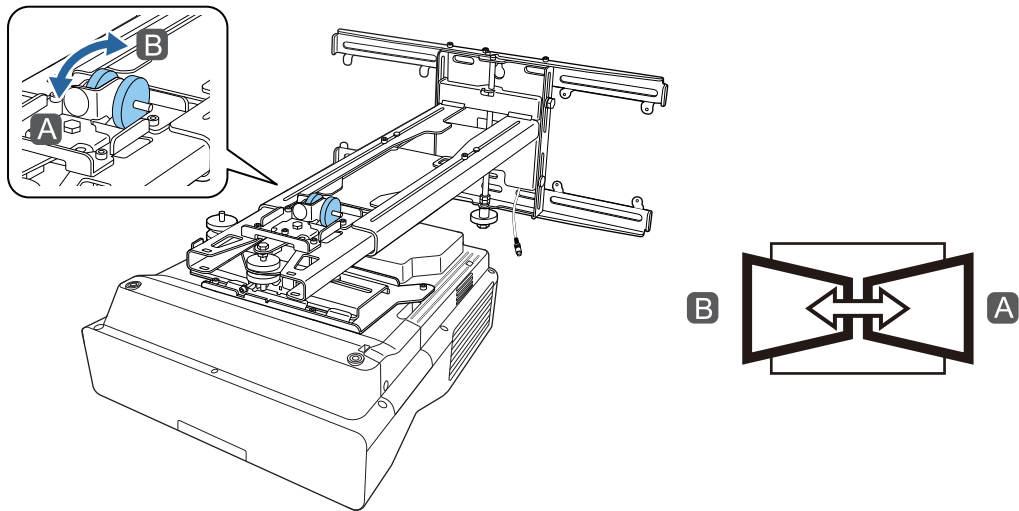
Frequently Used Items	Installation
Image	Fixed Installation Off
Signal I/O	Test Pattern
Installation	Setting Plate Installation Guide
Display	Vertical Installation No
Operation	Projection Front/Upside Down
Management	Auto Screen Adjustment
Network	Geometry Correction Point Correction
Pen/Touch	Geometry Correction Wizard
Interactive	Connect to Setting Assistant
Memory	Digital Zoom
ECO	Connect ELPCB02 Off
Initial/All Settings	Touch Unit
	Remote Receiver Off
	Projector ID Off
	Screen Type 16:9
	High Altitude Mode Off
	Reset Installation Settings

You see the guidance screen.

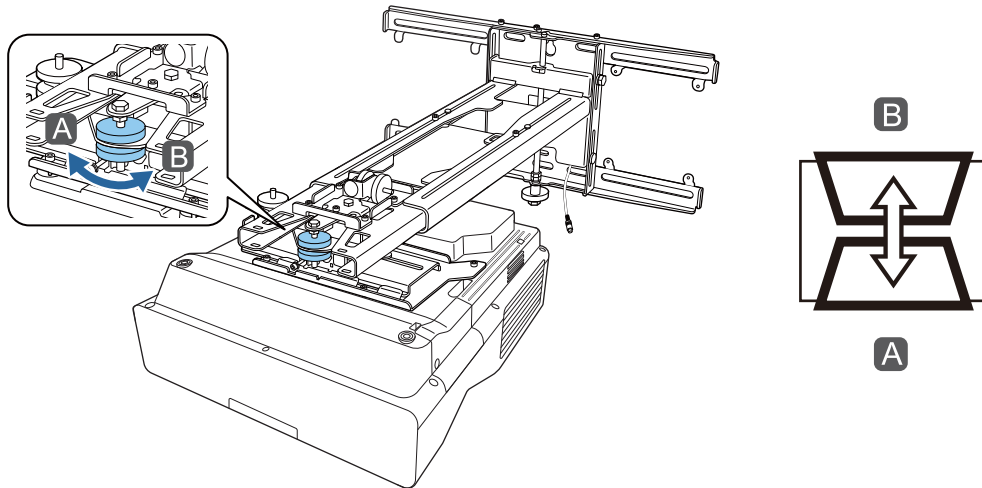
3 Turn the adjustment dial ① in the installation guide to adjust the horizontal roll



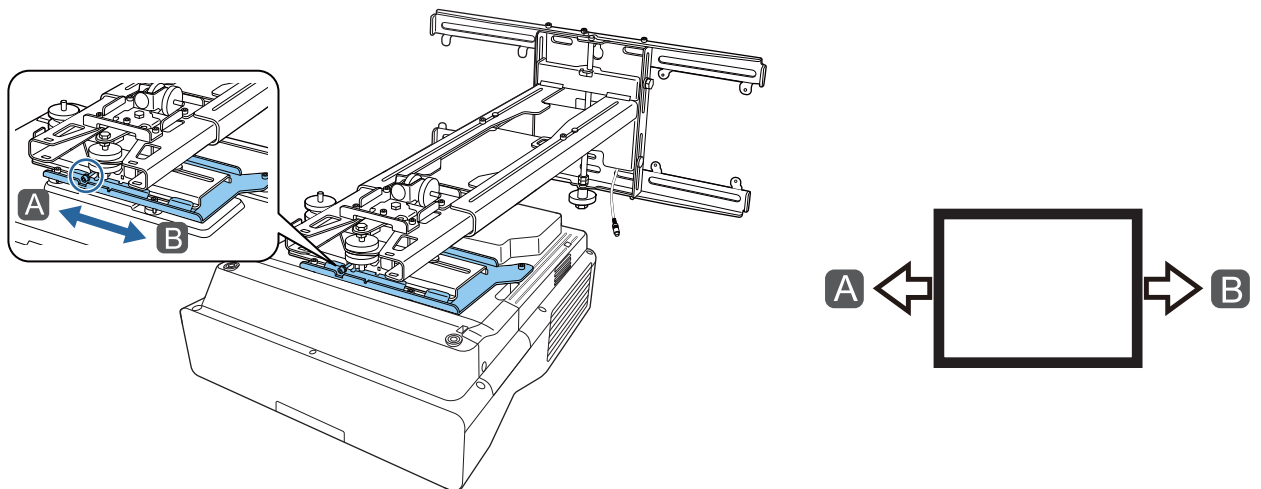
4 Turn the adjustment dial ② in the installation guide to adjust the horizontal rotation



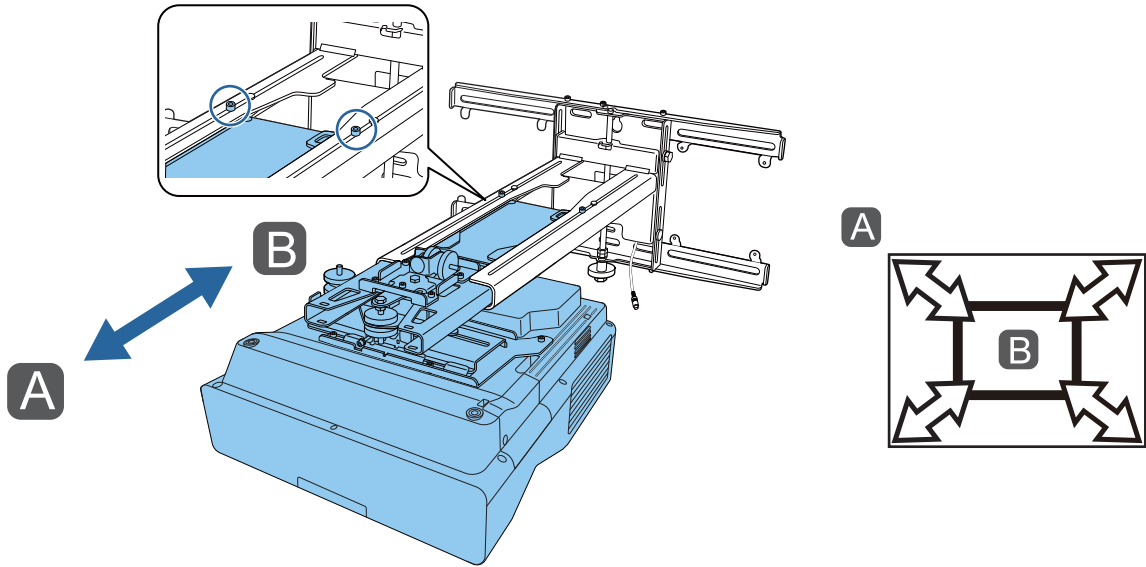
5 Turn the adjustment dial ③ in the installation guide to adjust the vertical tilt



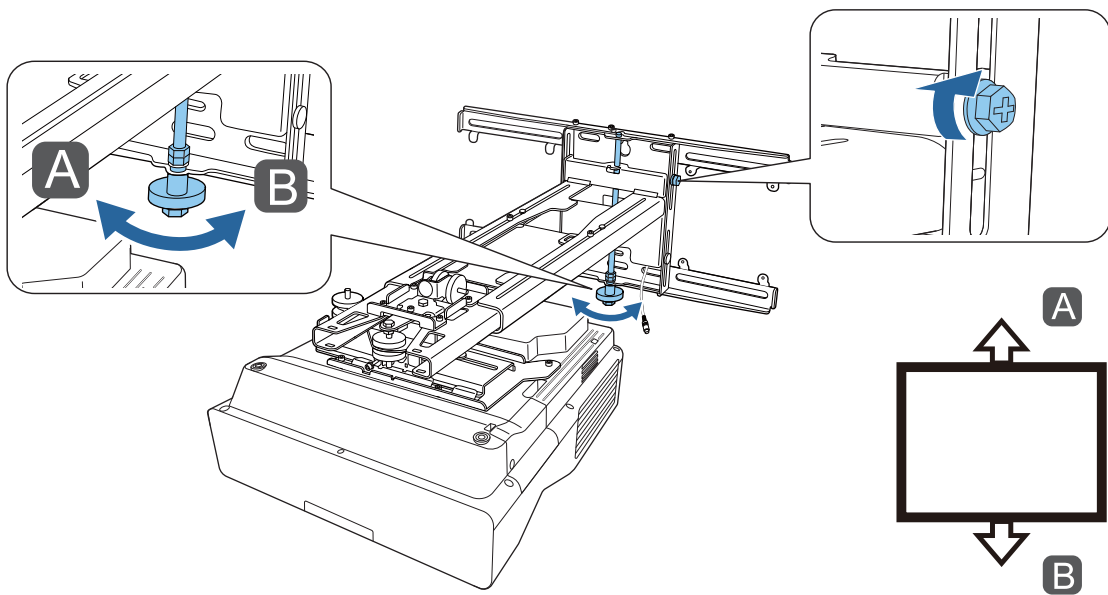
6 Loosen the M4 bolt, and then adjust the horizontal slide



7 Loosen the M4 bolts (x2), and then adjust the forward/backward slide



8 Loosen the M6 bolt, and then adjust the vertical slide



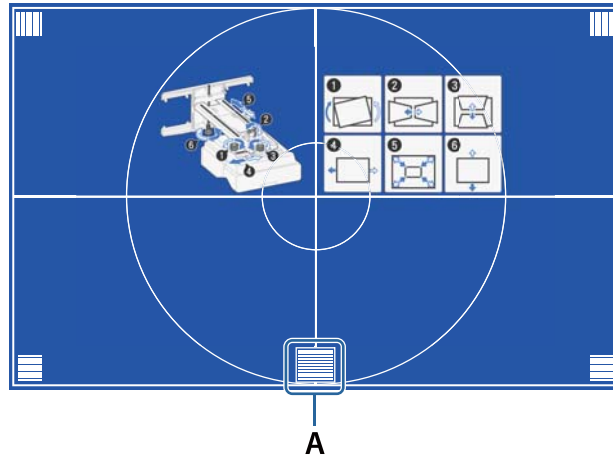
9 Re-tighten the screws and bolts that you loosened in steps 3 to 8

 **Warning**

Tighten all bolts and screws firmly. Otherwise, the product may fall and cause personal injury or property damage.

10

Adjust the focus of position A in the following figure



11

When you have finished making adjustments, press the [Esc] button on the remote control or the control panel to exit the guidance screen

Adjusting using the projector menus



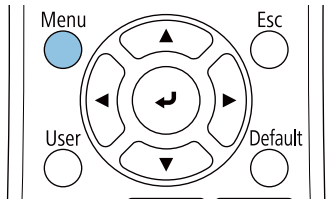
- You can save adjusted values in **Memory** from the **Geometry Correction** menu.
- Before performing the adjustment, set the Screen Type setting first. If you change the Screen Type after making corrections, the corrections will be reset.

Arc Correction

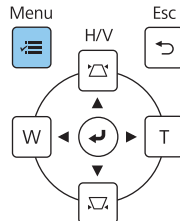
1

Press the [Menu] button

Using the Remote Control



Using the Control Panel



2

Select **Geometry Correction** from the **Installation** menu

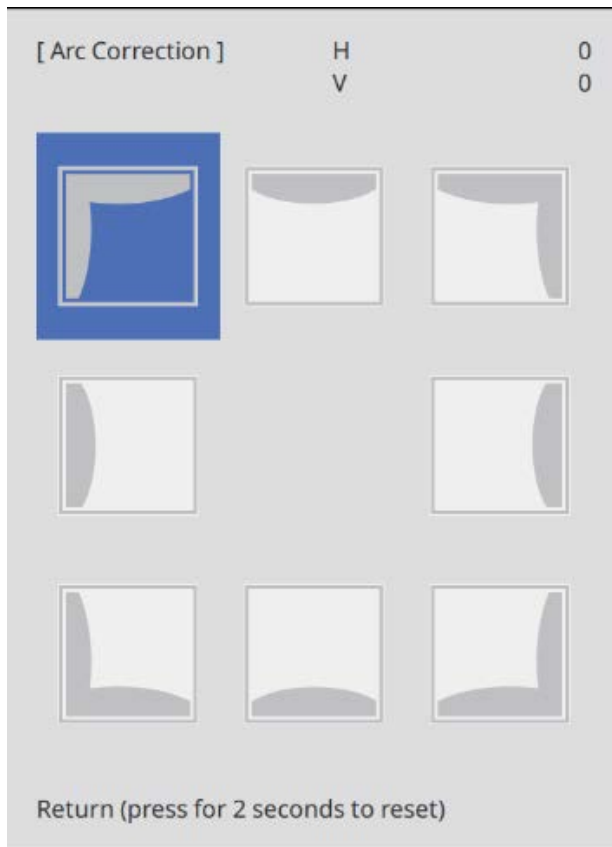
Frequently Used Items	Installation	
Image	Fixed Installation	Off
Signal I/O	Test Pattern	
Installation	Setting Plate Installation Guide	
Display	Vertical Installation	No
Operation	Projection	Front/Upside Down
Management	Auto Screen Adjustment	
Network	Geometry Correction	Point Correction
Pen/Touch	Geometry Correction Wizard	
Interactive	Connect to Setting Assistant	
Memory	Digital Zoom	▼
ECO	Connect ELPCB02	Off
Initial/All Settings	Touch Unit	
	Remote Receiver	Off
	Projector ID	Off
	Screen Type	16:9 ▼
	High Altitude Mode	Off
	Reset Installation Settings	

3

Select **Arc Correction**

[Geometry Correction]	Return
H/V-Keystone	
Quick Corner	
✓ Arc Correction	
Point Correction	
Automatic Correction Using App	
Memory	

4 Select the side you want to correct and make adjustment

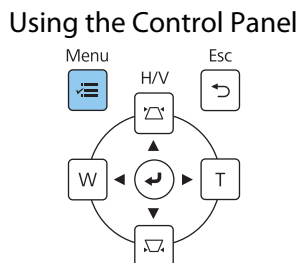
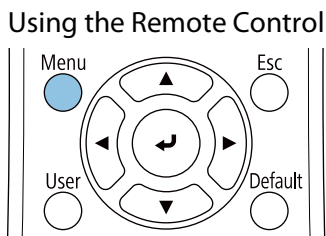


When you reach a range that cannot be adjusted, you see the message **Cannot adjust any further.** displayed.

5 When you have finished making adjustments, press the [Esc] button on the remote control or the control panel to finish adjustment

Quick Corner

1 Press the [Menu] button



2

Select **Geometry Correction** from the **Installation** menu

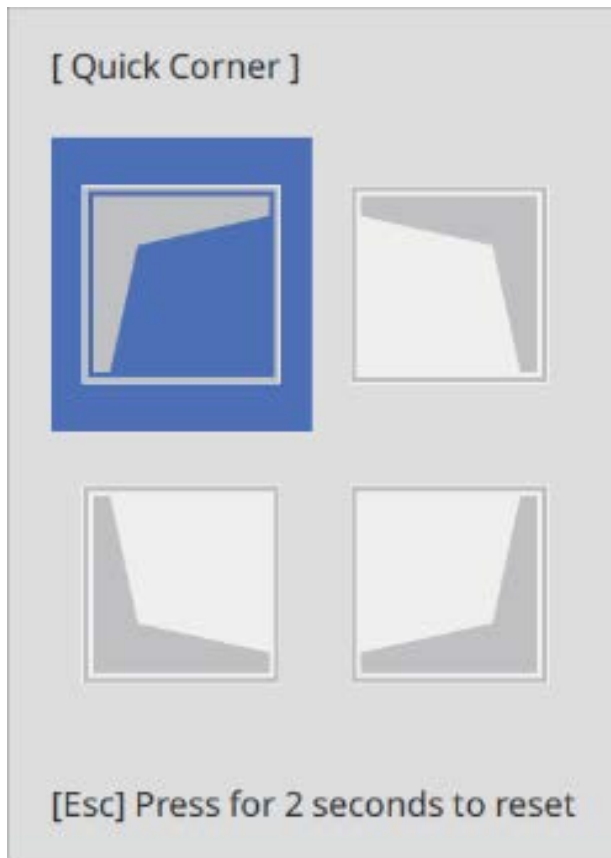
Frequently Used Items	Installation	
Image	Fixed Installation	Off
Signal I/O	Test Pattern	
Installation	Setting Plate Installation Guide	
Display	Vertical Installation	No
Operation	Projection	Front/Upside Down
Management	Auto Screen Adjustment	
Network	Geometry Correction	Point Correction
Pen/Touch	Geometry Correction Wizard	
Interactive	Connect to Setting Assistant	
Memory	Digital Zoom	▼
ECO	Connect ELPCB02	Off
Initial/All Settings	Touch Unit	
	Remote Receiver	Off
	Projector ID	Off
	Screen Type	16:9 ▼
	High Altitude Mode	Off
	Reset Installation Settings	

3


Select **Quick Corner**

[Geometry Correction]	Return
H/V-Keystone	
✓ Quick Corner	
Arc Correction	
Point Correction	
Automatic Correction Using App	
Memory	

4 Select the side you want to correct and make adjustment



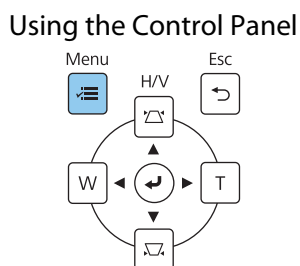
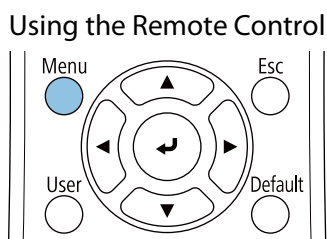
When you reach a range that cannot be adjusted, you see the message **Cannot adjust any further.** displayed.

 While adjusting the sides, press buttons [1], [3], [7], and [9] on the remote control to select the side you want to adjust.

5 When you have finished making adjustments, press the [Esc] button on the remote control or the control panel to finish adjustment

Point Correction

1 Press the [Menu] button



2

Select **Geometry Correction** from the **Installation** menu

Frequently Used Items	Installation
Image	Fixed Installation Off
Signal I/O	Test Pattern
Installation	Setting Plate Installation Guide
Display	Vertical Installation No
Operation	Projection Front/Upside Down
Management	Auto Screen Adjustment
Network	Geometry Correction Point Correction
Pen/Touch	Geometry Correction Wizard
Interactive	Connect to Setting Assistant
Memory	Digital Zoom
ECO	Connect ELPCB02 Off
Initial/All Settings	Touch Unit
	Remote Receiver Off
	Projector ID Off
	Screen Type 16:9
	High Altitude Mode Off
	Reset Installation Settings

3

Select **Point Correction**

[Geometry Correction]	Return
H/V-Keystone	
Quick Corner	
Arc Correction	
✓ Point Correction	
Automatic Correction Using App	
Memory	

4

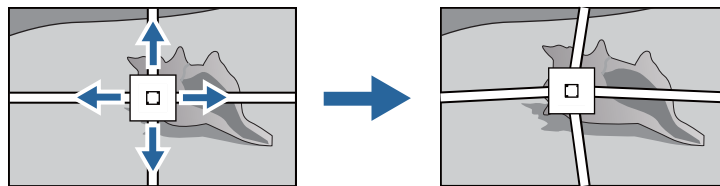
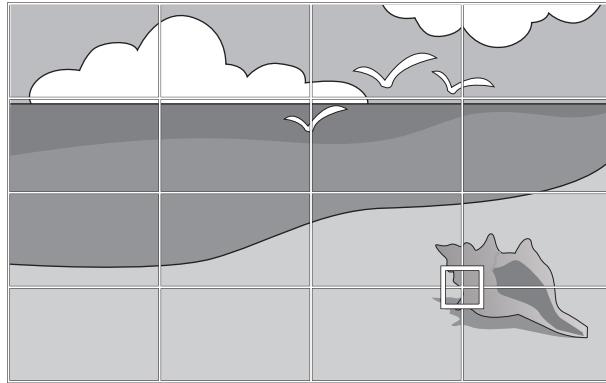
Select **Points (Vert.)** and **Points (Horiz.)**, and then set the number of grids

[Points (Vert.)]	Return
3	
5	
✓ 9	
17	
33	

[Points (Horiz.)]	Return
3	
5	
✓ 9	
17	
33	

5

Select the points you want to correct and make adjustment



If it is hard to see the grid, use **Pattern Color** to change the color of the grid.

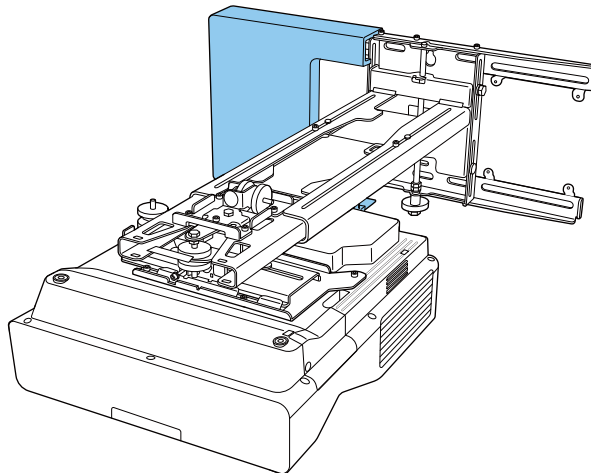
6

When you have finished making adjustments, press the [Esc] button on the remote control or the control panel to finish adjustment

Attaching the Covers

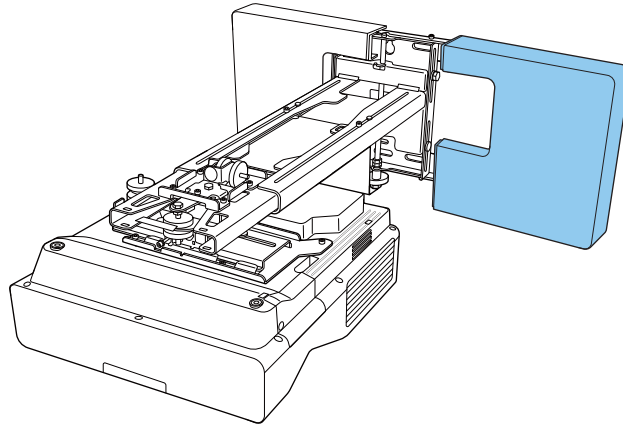
1

Attach the left wall plate cover



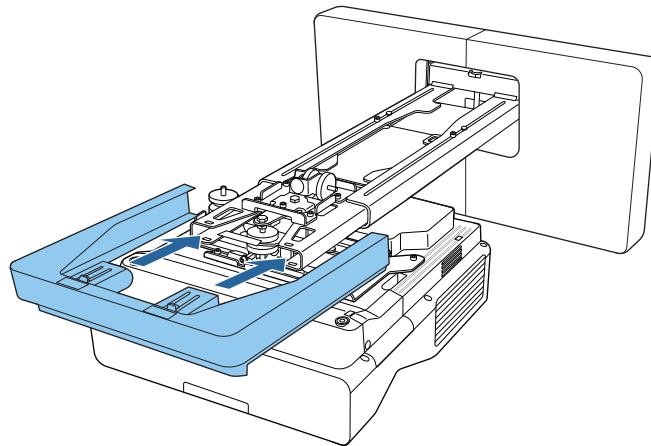
2

Attach the right wall plate cover

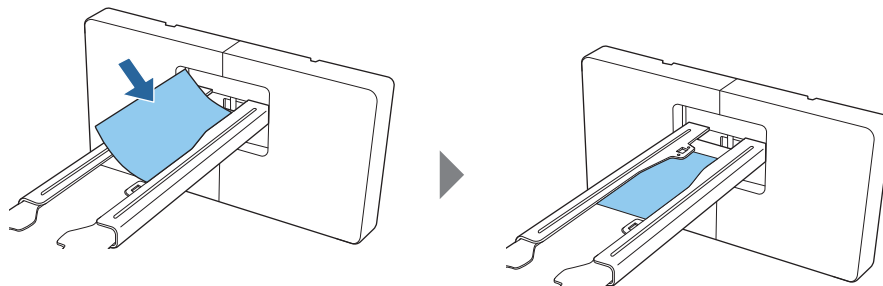


3

Fit the end cap to the setting plate



If you are concerned about the groove in the arm, stick the supplied masking sticker.

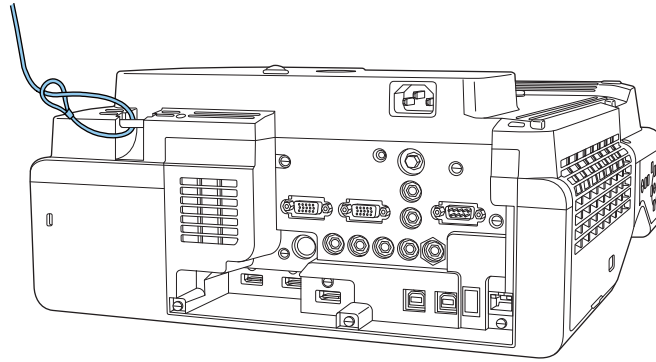


Attaching a Security Cable

Perform one of the following security measures if necessary.

- Install a commercially available theft-prevention wire lock

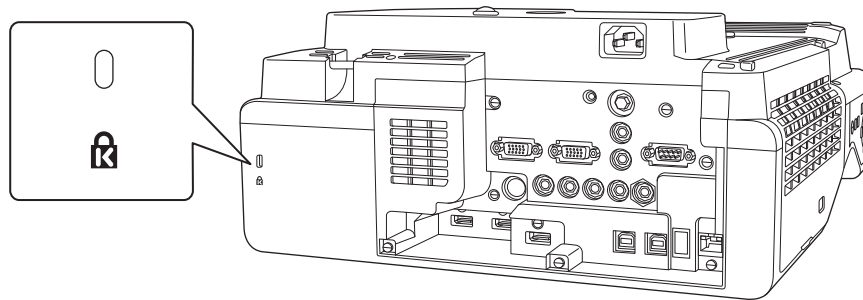
Pass the wire lock through the security cable installation points on the projector and the setting plate.



- Install a security wire from Kensington

The security slot on this product is compatible with the Microsaver Security System manufactured by Kensington. See the following for more details on the Microsaver Security System.

<http://www.kensington.com/>



Batch Setup Function

After making the projector's menu settings for one projector, you can copy the settings to other projectors (batch setup function). The batch setup function is only for projectors with the same model number.

Use one of the following methods.

- Setup using a USB flash drive.
- Setup by connecting the computer and projector with a USB cable.
- Make settings using Epson Projector Management.

This guide explains the USB flash drive and the USB cable methods.

For details on making settings using Epson Projector Management, see the *Epson Projector Management Operation Guide*.



- If you do not want to copy the following settings, set **Batch Setup Range** to **Limited**.
 - **Password Protection**
 - **EDID** from the **Signal I/O** menu
 - **Network** menu
- Perform batch setup before adjusting the position of the projectors. The batch setup function copies adjustment values for the projected image such as Geometry Correction. If batch setup is performed after adjusting the position of the projectors, the adjustments you made may change.
- By using the batch setup function, the registered User's Logo is copied to the other projectors. Do not register confidential information as the User's Logo.



Caution

Performing batch setup is the customer's responsibility. If batch setup fails due to an accident such as a power failure, communication error, the customer is responsible for any repair costs incurred.

Setup Using a USB Flash Drive

This section explains how to perform batch setup using a USB flash drive.



- Use a FAT format USB flash drive.
- The batch setup function cannot be used by USB flash drives that incorporate security functions. Use a USB flash drive that does not incorporate security functions.
- The batch setup function cannot be used by USB card readers or USB hard disks.

Saving settings to the USB flash drive

1

Disconnect the power cord from the projector, and check that all of the projector's indicators have turned off

2

Connect the USB flash drive to the projector's USB-A port



- Connect the USB flash drive directly to the projector. If the USB flash drive is connected to the projector through a USB hub, the settings may not be saved correctly.
- Connect an empty USB flash drive. If the USB flash drive contains data other than the batch setup file, the settings may not be saved correctly.

3

While holding down the [Esc] button on the remote control or the control panel, connect the power cord to the projector

The On/Standby indicator and the Status indicator turn blue, and the Laser indicator and the Temp indicator turn orange.

When all of the projector's indicators turn on, release the [Esc] button.

On/Standby  

Status  

Laser  

Temp  

When all of the indicators start flashing, the batch setup file is being written.



Caution

- Do not disconnect the power cord from the projector while the file is being written. If the power cord is disconnected, the projector may not start correctly.
- Do not disconnect the USB flash drive from the projector while the file is being written. If the USB flash drive is disconnected, the projector may not start correctly.

When writing completes normally, the projector turns off, and only the On/Standby indicator is lit blue.

On/Standby  

Status  

Laser  

Temp  

When the power turns off, remove the USB flash drive.



- The file name for the batch setup file is PJCONFDATA.bin. If you need to change the file name, add text after PJCONFDATA. If you change the PJCONFDATA section of the file name, the projector may not be able to recognize the file correctly.
- You can only use single-byte characters for the file name.

■ Copying saved settings to other projectors

1 Disconnect the power cord from the projector, and check that all of the projector's indicators have turned off

2 Connect the USB flash drive containing the saved batch setup file to the projector's USB-A port



Do not store any data except for the batch setup file on the USB flash drive. If the USB flash drive contains data other than the batch setup file, the settings may not be copied correctly.

3 While holding down the [Menu] button on the remote control or the control panel, connect the power cord to the projector

The On/Standby indicator and the Status indicator turn blue, and the Laser indicator and the Temp indicator turn orange.

When all of the projector's indicators turn on, release the [Menu] button. The indicators turn on for approximately 75 seconds.

On/Standby  

Status  

Laser  

Temp  

When all of the indicators start flashing, the settings are being written.



Caution

- Do not disconnect the power cord from the projector while the settings are being written. If the power cord is disconnected, the projector may not start correctly.
- Do not disconnect the USB flash drive from the projector while the settings are being written. If the USB flash drive is disconnected, the projector may not start correctly.

When writing completes normally, the projector turns off, and only the On/Standby indicator is lit blue.

On/Standby  

Status  

Laser  

Temp  

When the power turns off, remove the USB flash drive.

Setup by Connecting the Computer and Projector with a USB Cable



The following operating systems support the batch setup function.

- Windows 8.1 and later
- macOS 10.13.x and later

■ Saving settings to a computer

- 1 Disconnect the power cord from the projector, and check that all of the projector's indicators have turned off
- 2 Connect the computer's USB port to the projector's USB-B1 port with a USB cable
- 3 While holding down the [Esc] button on the remote control or the control panel, connect the power cord to the projector

The On/Standby indicator and the Status indicator turn blue, and the Laser indicator and the Temp indicator turn orange.

When all of the projector's indicators turn on, release the [Esc] button.

On/Standby  

Status  

Laser  

Temp  

The projector is recognized as a removable disk by the computer.

- 4 Open the removable disk, and save the batch setup file (PJCONFDATA.bin) to the computer



If you need to change the name of the batch setup file, add text after PJCONFDATA. If you change the PJCONFDATA section of the file name, the projector may not be able to recognize the file correctly. You can only use single-byte characters for the file name.

5

Perform "Remove USB device" on your computer, and then disconnect the USB cable



When using a Mac, perform "Remove EPSON_PJ".

The projector turns off, and only the On/Standby indicator is lit blue.

On/Standby 

Status 

Laser 

Temp 

■ Copying saved settings to other projectors

1

Disconnect the power cord from the projector, and check that all of the projector's indicators have turned off

2

Connect the computer's USB port to the projector's USB-B1 port with a USB cable

3

While holding down the [Menu] button on the remote control or the control panel, connect the power cord to the projector

The On/Standby indicator and the Status indicator turn blue, and the Laser indicator and the Temp indicator turn orange.

When all of the projector's indicators turn on, release the [Menu] button.

On/Standby 

Status 

Laser 

Temp 

The projector is recognized as a removable disk by the computer.

4

Copy the batch setup file (PJCONFDATA.bin) that you saved to your computer to the top-level folder of the removable disk



Do not copy any files or folders other than the batch setup file to the removable disk.

5

Perform "Remove USB device" on your computer, and then disconnect the USB cable



When using a Mac, perform "Remove EPSON_PJ".

When all of the indicators start flashing, the settings are being written.



Caution

Do not disconnect the power cord from the projector while the settings are being written. If the power cord is disconnected, the projector may not start correctly.

When writing completes normally, the projector turns off, and only the On/Standby indicator is lit blue.

















On/Standby  

Status  

Laser  

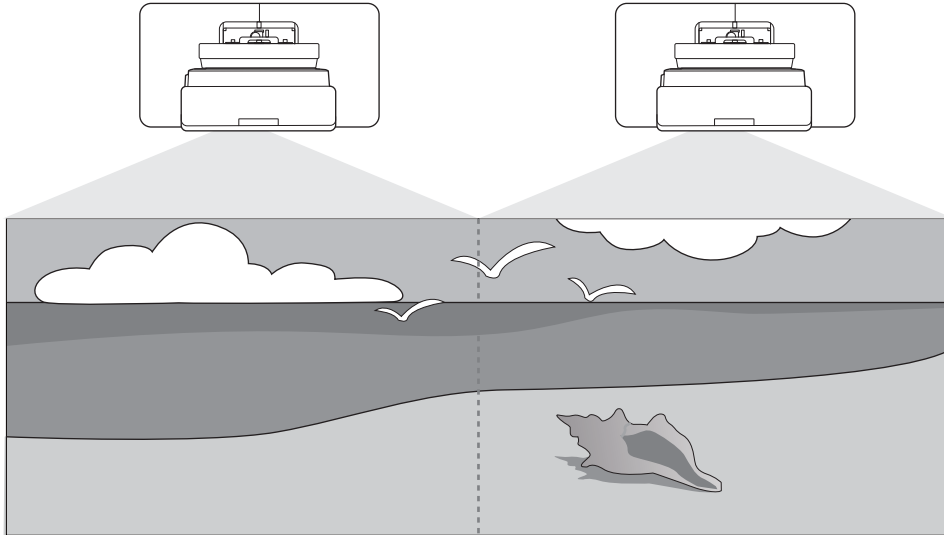
Temp  

When Setup Fails

Check	Remedy
<p>Are the Laser and the Temp indicators flashing orange quickly?</p> <p>On/Standby  </p> <p>Status  </p> <p>Laser  </p> <p>Temp  </p>	<p>The batch setup file may be corrupt, or the USB flash drive or USB cable may not be connected correctly. Disconnect the USB flash drive or the USB cable, unplug and then plug in the projector's power cord, and then try again.</p>
<p>Are the On/Standby and the Status indicators flashing blue, and the Laser and the Temp indicators flashing orange quickly?</p> <p>On/Standby  </p> <p>Status  </p> <p>Laser  </p> <p>Temp  </p>	<p>Writing the settings may have failed and an error may have occurred in the projector's firmware. Stop using the projector, remove the power plug from the electrical outlet, and contact Epson for help.</p>

Installing Multiple Projectors (Multi-Projection)

You can create one large screen as a unified image projected from multiple projectors.



When performing multi-projection, make connections and the necessary settings in the following order.



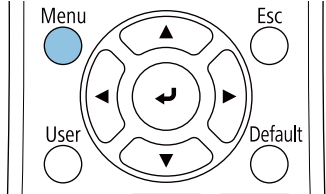
When setting Multi-Projection, we recommend setting **Operation > Sleep Mode** to **Off** from the projector's Menu.

- 1 Setting the Projector ID (👉 p.85)
- 2 Multi-Projection image adjustment (👉 p.87)

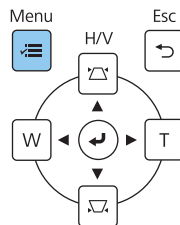
Setting the Projector ID

1 Turn on the projector, and then press the [Menu] button

Using the Remote Control

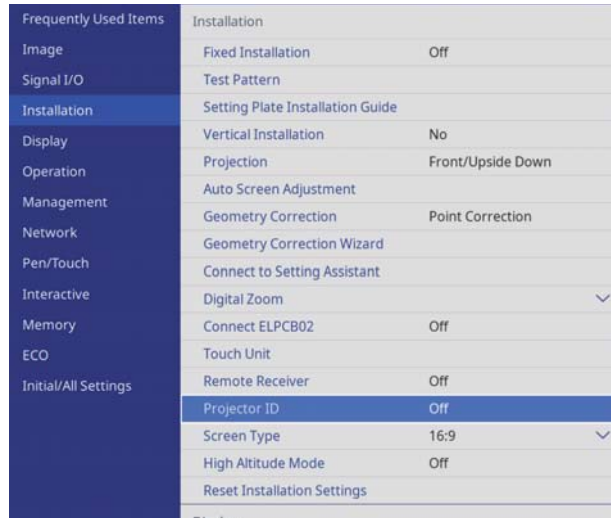


Using the Control Panel

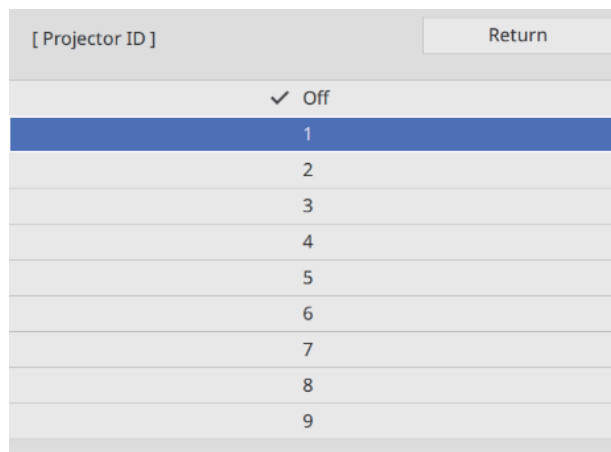


2 Select **Projector ID** from the **Installation** menu

When using EB-775F/EB-770F, select **Projector ID** from the **Multi-Projection** menu.



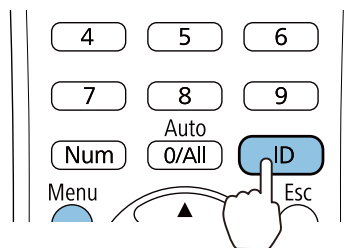
3 Select the ID number for the projector



4 Press the [Esc] button to close the menu

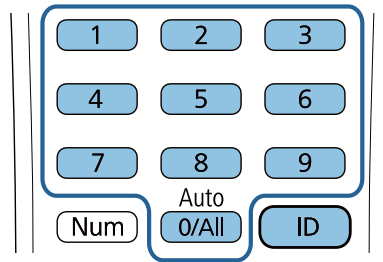
Repeat steps 1 to 4 for the remaining projectors.

5 Point the remote control at the projector you want to operate, and then press the [ID] button



The current ID number is displayed on the projection screen.

- While holding down the [ID] button, press the button with the same number as the projector ID for the projector you want to operate



Remote control operations for the projector with the selected ID are enabled.



- When **Projector ID** is set to **Off**, you can operate the projector using the remote control regardless of the ID setting selected using the remote control.
- When the remote control ID is set to 0, you can operate all of the projectors regardless of the projector ID setting.
- Operating multiple remote controls at the same time can cause accidental operations due to infrared interference.

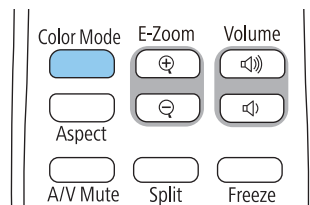
Adjusting the Image in Multi-Projection



Images are not stable immediately after turning on the projector. After starting projection, wait for at least 30 minutes before adjusting the image.

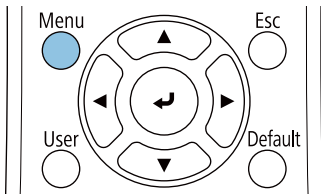
When using the EB-775F/EB-770F

- Turn on the projector
- Press the [Color Mode] button on the remote control, and then set the Color Mode to **Multi-Projection**

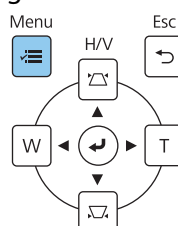


- Press the [Menu] button

Using the Remote Control



Using the Control Panel



4 Make necessary settings on the **Multi-Projection** menu

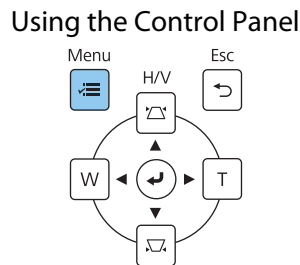
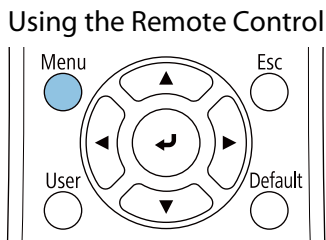
For details on making settings, see the projector's *User's Guide*.

Tiling	Set the number and position of the projectors.
Geometry Correction	Correct the shape of the image.
Edge Blending Black Level	Adjust the image overlapping section to create a seamless image.
Scale	Set the magnification and splicing position for the image.
Light Source Mode	Adjust the brightness of the entire image. Select Custom , and then adjust the Brightness Level based on the darkest projector.
Color Uniformity Color Matching RGBCMY	Adjust the color of the image for each projector so that the entire image looks uniform.

■ When using the EB-760W

1 Turn on the projector

2 Press the [Menu] button


















3 Make the necessary settings from the following menus






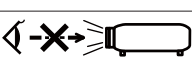










For details on making settings, see the projector's *User's Guide*.

Image - Color Mode (Press the [Color Mode] button on the remote control to execute)	Select the same item for each projector so that the color of the entire image looks uniform.
Operation - Light Source Brightness Control - Light Source Mode	Adjust the brightness of the entire image. Select Custom , and then adjust the Brightness Level based on the darkest projector.
Management - Color Uniformity Image - RGBCMY	Adjust the color of the image for each projector so that the entire image looks uniform.

List of Safety Symbols

The following table lists the meaning of the safety symbols labeled on the equipment.

Symbol mark	Approved standards	Meaning
	IEC60417 No.5007	Power On To indicate connection to the mains.
	IEC60417 No.5008	Power Off To indicate disconnection from the mains.
	IEC60417 No.5009	Standby To identify the switch or switch position by means of which part of the equipment is switched on in order to bring it into the standby condition.
	ISO7000 No.0434B IEC3864-B3.1	Caution To identify general caution when using the product.
	IEC60417 No.5041	Caution, hot surface To indicate that the marked item can be hot and should not be touched without taking care.
	IEC60417 No.6042 ISO3864-B3.6	Caution, risk of electric shock To identify equipment that presents a risk of electric shock.
	IEC60417 No.5957	For indoor use only To identify electrical equipment designed primarily for indoor use.
	IEC60417 No.5926	Polarity of d.c. power connector To identify the positive and negative connections (the polarity) on a piece of equipment to which a d.c. power supply may be connected.
	---	
	IEC60417 No.5001B	Battery, general On battery powered equipment. To identify a device for instance a cover for the battery compartment, or the connector terminals.
	IEC60417 No.5002	Positioning of battery To identify the battery holder itself and to identify the positioning of the batteries inside the battery holder.
	---	
	IEC60417 No.5019	Protective earth To identify any terminal which is intended for connection to an external conductor for protection against electric shock in case of a fault, or the terminal of a protective earth electrode.
	IEC60417 No.5017	Earth To identify an earth (ground) terminal in cases where the  is not explicitly required.

Symbol mark	Approved standards	Meaning
	IEC60417 No.5032	Alternating current To indicate that the equipment is suitable for alternating current only; to identify relevant terminals.
	IEC60417 No.5031	Direct current To indicate that the equipment is suitable for direct current only; to identify relevant terminals.
	IEC60417 No.5172	Class II equipment To identify equipment meeting the safety requirements specified for Class II equipment according to IEC 61140.
	ISO 3864	General prohibition To identify actions or operations that are prohibited.
	ISO 3864	Contact prohibition To indicate injury that could occur due to touching a specific part of the equipment.
	---	Never look into the projection window while the projector is on.
	---	To indicate that you must never place anything on the projector.
	ISO3864 IEC60825-1	Caution, laser radiation To indicate the equipment has a laser radiation part.
	ISO 3864	Disassembly prohibition To indicate a risk of injury, such as electric shock, if the equipment is disassembled.
	IEC60417 No.5266	Standby, partial standby To indicate that part of the equipment is in the ready status.
	ISO3864 IEC60417 No.5057	Caution, movable parts To indicate that you must keep away from movable parts according to protection standards.
	IEC 60417-6056	Caution, movable fan blades To indicate that you must keep away from the blades of the movable fan according to protection standards.
	IEC 60417-6043	Caution, sharp corners To indicate that you must not touch the sharp corners of the product according to protection standards.
	--	Never look into the projection window while the projector is on.
	ISO7010 No. W027 ISO 3864	Warning, light emission (UV, visible light, IR and so on) To indicate that you must be careful not to injure your eyes or skin when near light emitting sections.
	IEC60417 No.5109	Not to be used in residential areas To indicate that the electrical equipment/device is not suitable for use in a residential area.

**Indication of the manufacturer and the importer in accordance with requirements of directive 2011/65/
EU (RoHS)**

Manufacturer: SEIKO EPSON CORPORATION

Address: 3-5, Owa 3-chome, Suwa-shi, Nagano-ken 392-8502 Japan

Telephone: 81-266-52-3131

<http://www.epson.com/>

Importer: SEIKO EUROPE B.V.

Address: Azië building, Atlas Arena, Hoogoorddreef 5, 1101 BA Amsterdam Zuidoost The Netherlands

Telephone: 31-20-314-5000

<http://www.epson.eu/>

General Notice

Mac and macOS are trademarks of Apple Inc.

Microsoft and Windows are trademarks or registered trademarks of Microsoft Corporation in the United States and/or other countries.

© 2023 Seiko Epson Corporation

2025.2 Rev.02